



US00D938436S

(12) **United States Design Patent** (10) **Patent No.:** **US D938,436 S**
Gu (45) **Date of Patent:** **** Dec. 14, 2021**

(54) **SPLIT-SCREEN DISPLAY DEVICE**
(71) Applicant: **Shenzhen E-Tech Digital Technology Co., Ltd.**, Shenzhen (CN)
(72) Inventor: **Yang Gu**, Shenzhen (CN)
(73) Assignee: **SHENZHEN E-TECH DIGITAL TECHNOLOGY CO., LTD.**, Shenzhen (CN)
(**) Term: **15 Years**
(21) Appl. No.: **29/751,439**
(22) Filed: **Sep. 21, 2020**
(30) **Foreign Application Priority Data**

Sep. 4, 2020 (CN) 202030518822.5
(51) **LOC (13) Cl.** **14-02**
(52) **U.S. Cl.**
USPC **D14/448**
(58) **Field of Classification Search**
USPC D14/371-382, 125-129, 336, 337, D14/447-452, 492, 335, 239, 457, D14/439-441, 432, 251-253; D8/349, D8/354, 363, 373, 376, 380; D21/333; D12/415; D3/218; 348/180, 184, 325, 348/739, 825; 248/323, 278.1, 286.1; D6/660, 661, 671, 672, 675, 675.1-675.3, D6/682, 677.1, 678.1, 678.2, 681.2
CPC G06F 3/0412; G06F 3/016; G06F 3/0488; G06F 3/011; G06F 3/038; G06F 3/03543; G06F 3/0338; G06F 3/0202; G06F 3/0219; G06F 3/0213; G06F 1/1616; G06F 3/023; G06F 3/04883; G02F 1/13338;

(Continued)

(56) **References Cited**

U.S. PATENT DOCUMENTS

4,619,429 A * 10/1986 Mazza A47B 21/045
248/442.2
D432,519 S * 10/2000 Yamaoka D14/172

(Continued)

Primary Examiner — Katie Jane Stofko
(74) *Attorney, Agent, or Firm* — Dragon Sun Law Firm, PC; Jinggao Li, Esq.

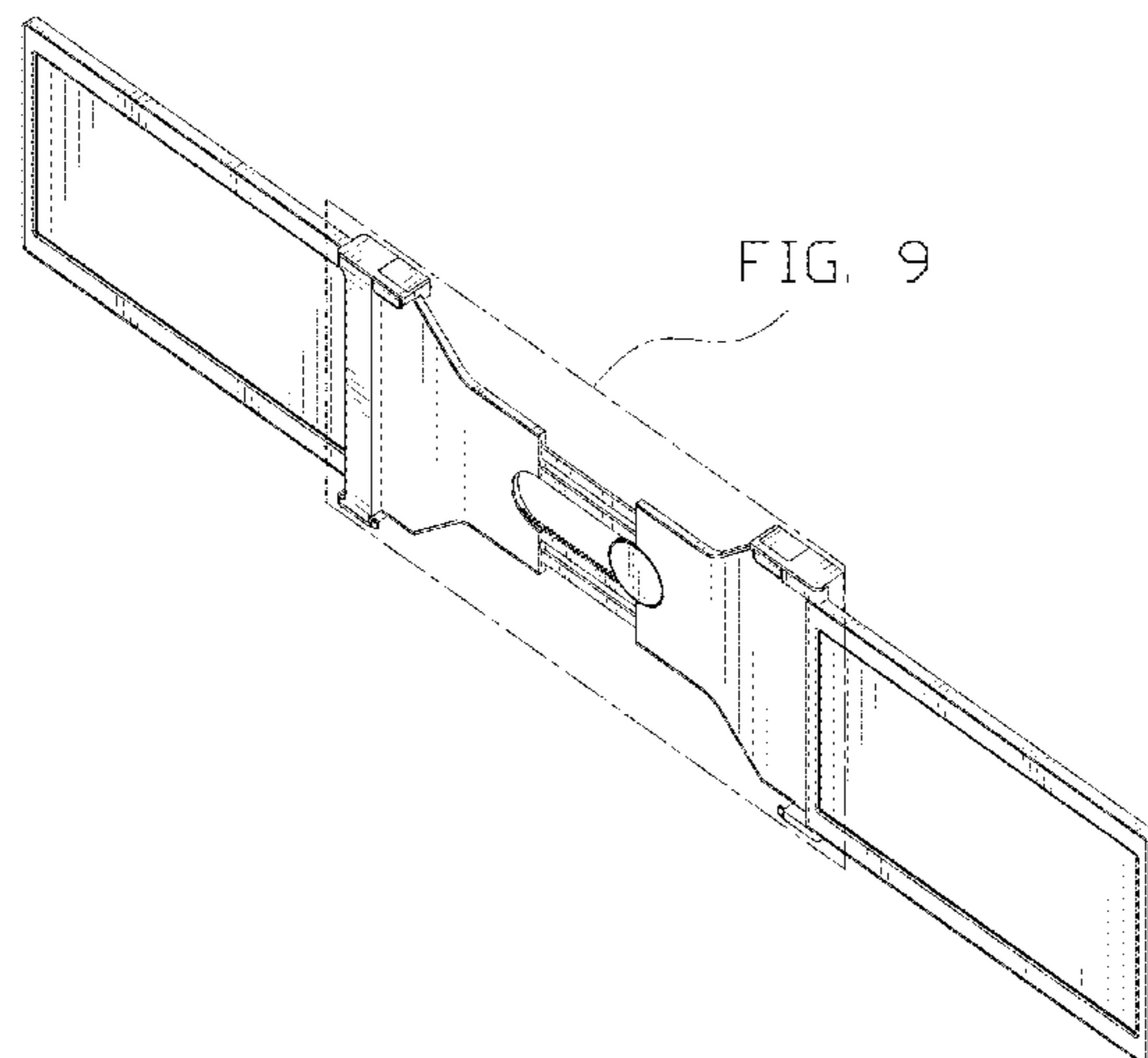
(57) **CLAIM**

The ornamental design for a split-screen display device, as shown and described.

DESCRIPTION

FIG. 1 is a front, right side and top perspective view of a split-screen display device, showing my new design;
FIG. 2 is a rear, left side and bottom perspective view thereof;
FIG. 3 is a front elevational view thereof;
FIG. 4 is a rear elevational view thereof;
FIG. 5 is a left side elevational view thereof;
FIG. 6 is a right side elevational view thereof;
FIG. 7 is a top plan view thereof;
FIG. 8 is a bottom plan view thereof;
FIG. 9 is an enlarged view of a portion labeled, 'FIG. 9' in FIG. 1;
FIG. 10 is an enlarged view of a portion labeled, 'FIG. 10' in FIG. 2;
FIG. 11 is an enlarged view of a portion labeled, 'FIG. 11' in FIG. 4;
FIG. 12 is a front, right side and top perspective view of the split-screen display device, shown in a folded position;
FIG. 13 is a rear, left side and top perspective view thereof;
FIG. 14 is a front, right side and top perspective view thereof, shown in a partially open position; and
FIG. 15 is a rear, left side and top perspective view thereof.
The dash dot dash lines in FIGS. 1, 2, 4, 9, 10 and 11 are for the purpose of depicting the cut line of the enlarged view and form no part of the claim. The dashed broken lines in the figures illustrate portions of the article that form no part of the claimed design.

1 Claim, 15 Drawing Sheets



(58) **Field of Classification Search**

CPC G02F 1/1313; G02F 1/1333; G02F 1/135;
 G02F 1/132; G02F 1/133308; G02F
 1/134309; G02F 1/13718; G09G 3/3648;
 G06K 15/1252; B41J 2/465; G03F
 7/70291; G02B 27/0172; G02B 5/30;
 G02B 2027/0118; G02B 27/0101; F16M
 13/02; F16M 13/00; F16M 11/10; F16M
 11/04; F16M 2200/08; F16M 11/2021;
 A47B 21/0314; A47B 88/044; A47B
 2021/0335; H02G 3/126; F16B 47/00;
 F16B 47/006; A47G 1/17; A47K 2201/00

See application file for complete search history.

(56)

References Cited

U.S. PATENT DOCUMENTS

6,151,401 A * 11/2000 Annaratone G06F 1/1616
 361/679.23

6,222,507 B1 * 4/2001 Gouko G06F 1/1601
 345/1.1
 D449,302 S * 10/2001 Jung D14/373
 6,532,146 B1 * 3/2003 Duquette G06F 1/1607
 361/679.04
 D487,740 S 3/2004 Plumley
 6,859,219 B1 * 2/2005 Sall G06F 1/1607
 345/1.1
 8,000,090 B2 * 8/2011 Moscovitch F16M 11/2064
 361/679.04
 8,102,331 B1 * 1/2012 Moscovitch G09F 9/35
 345/1.1
 8,854,278 B2 * 10/2014 Parker G06F 3/1431
 345/1.1
 D761,800 S * 7/2016 Muller D14/448
 10,817,020 B1 * 10/2020 DeMaio G06F 1/1654
 2003/0043087 A1 * 3/2003 Kim G06F 1/1641
 345/1.1

* cited by examiner

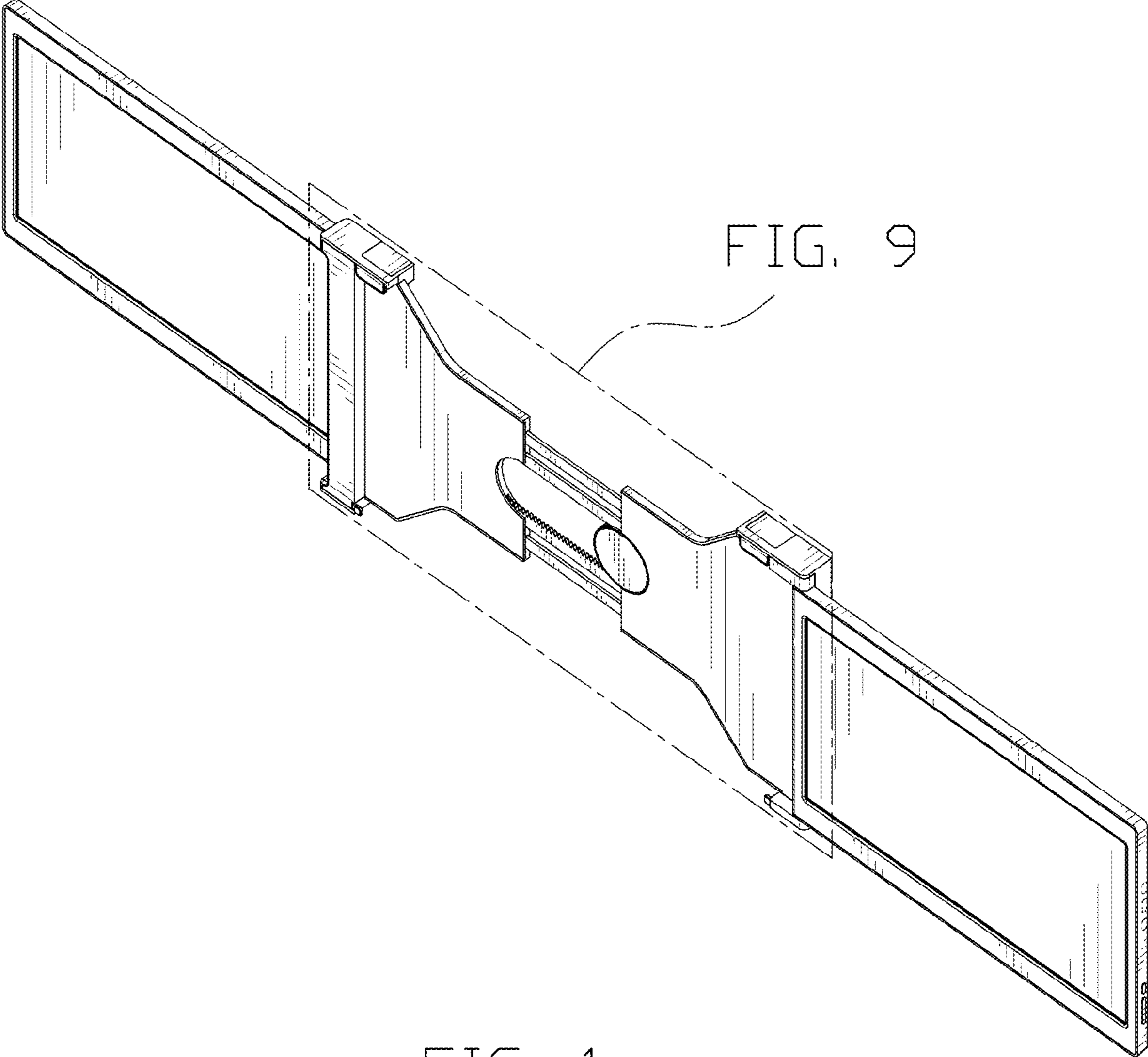


FIG. 1

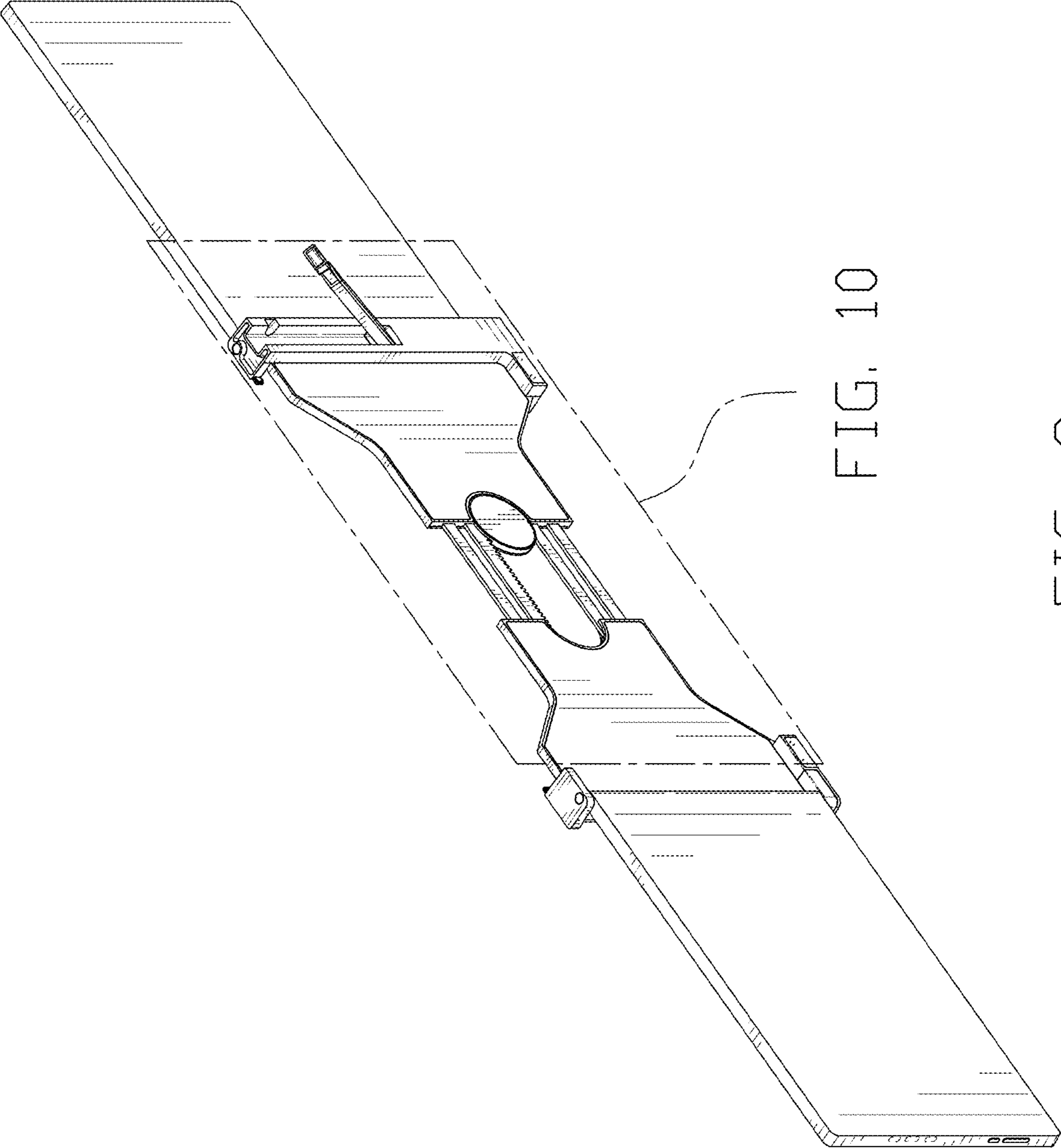


FIG. 10

FIG. 2

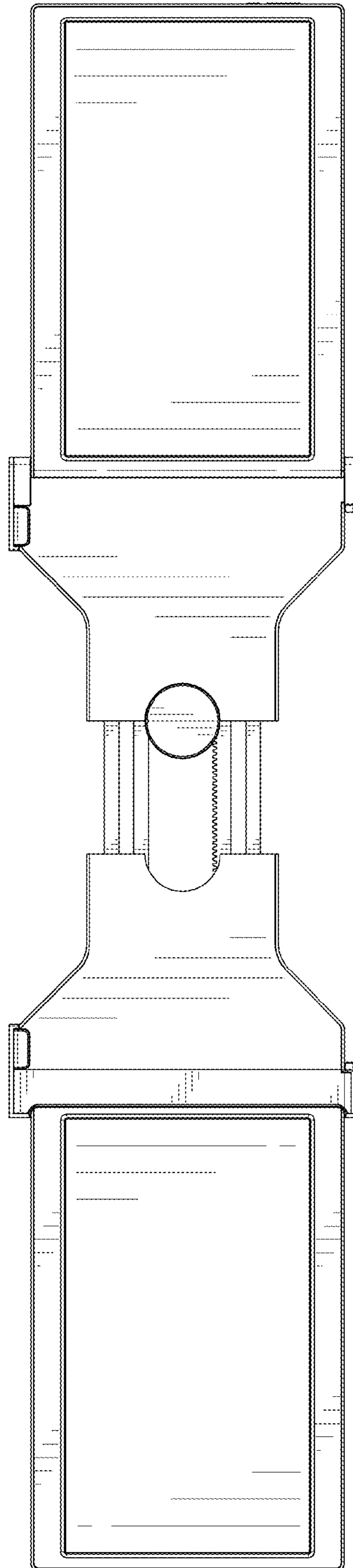


FIG. 3

FIG. 11

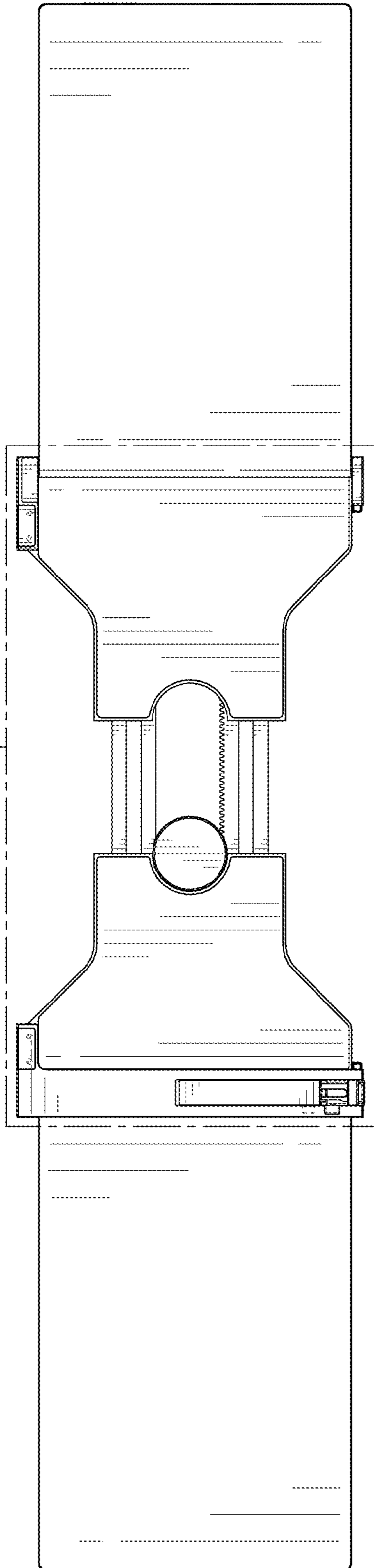


FIG. 4

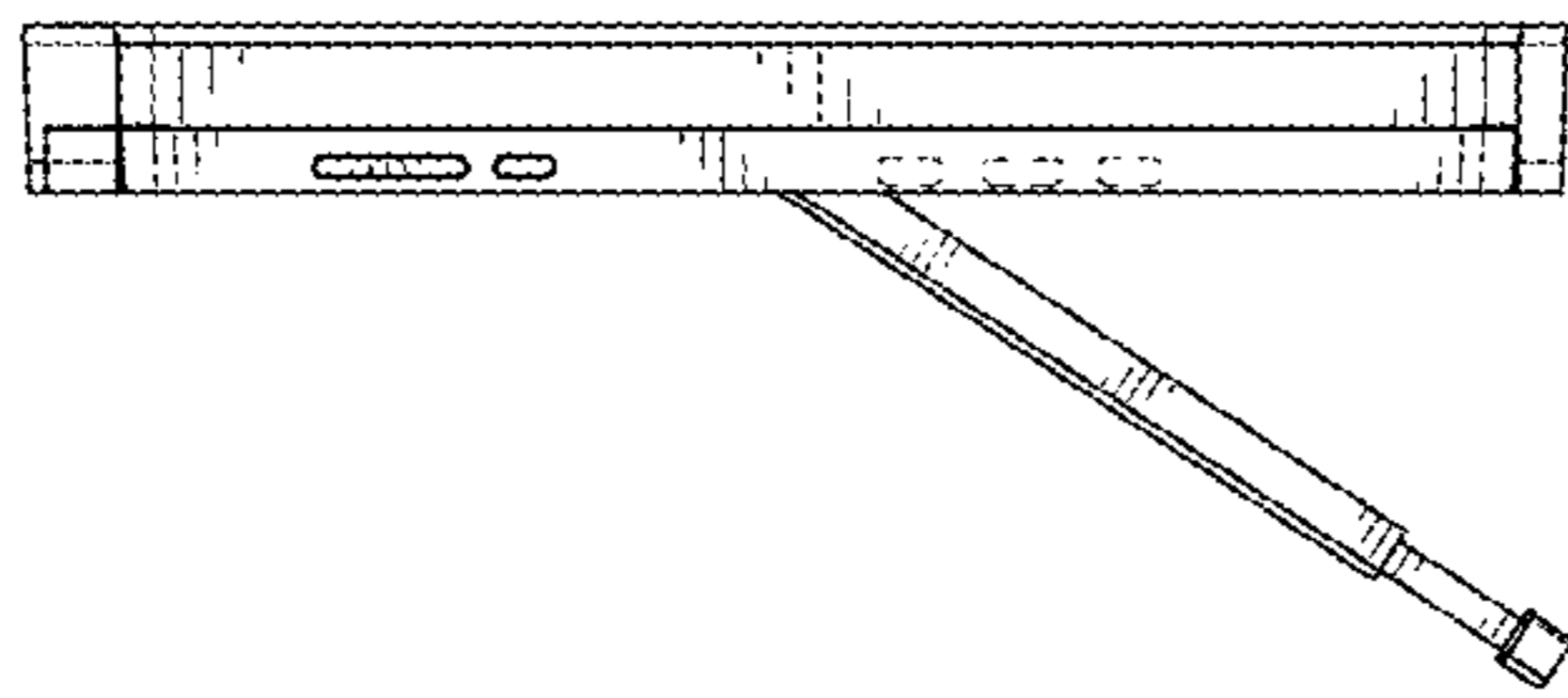


FIG. 5

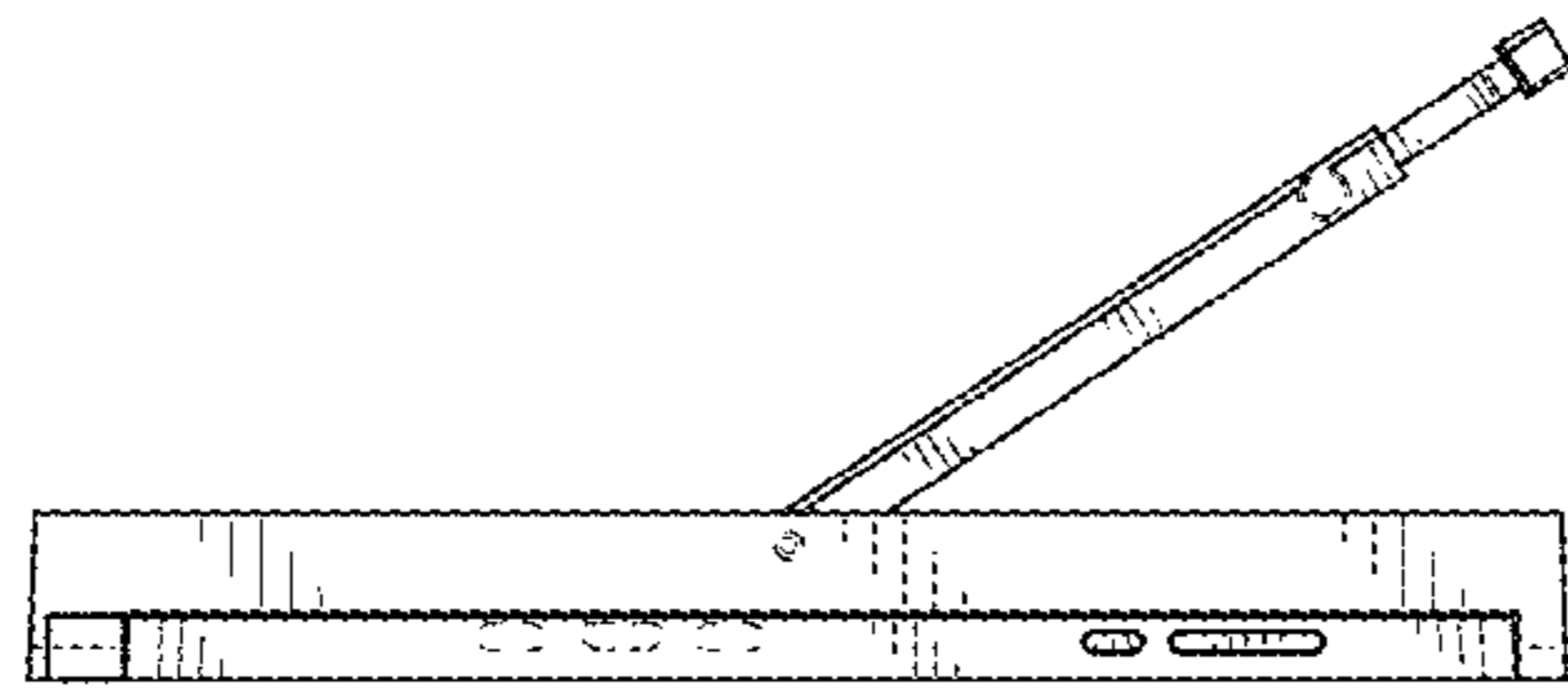


FIG. 6

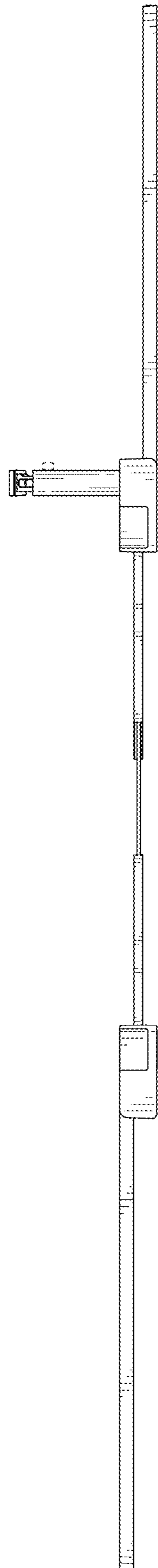


FIG. 7

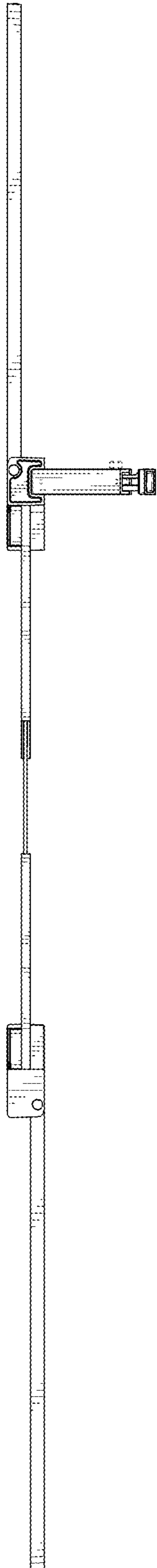


FIG. 8

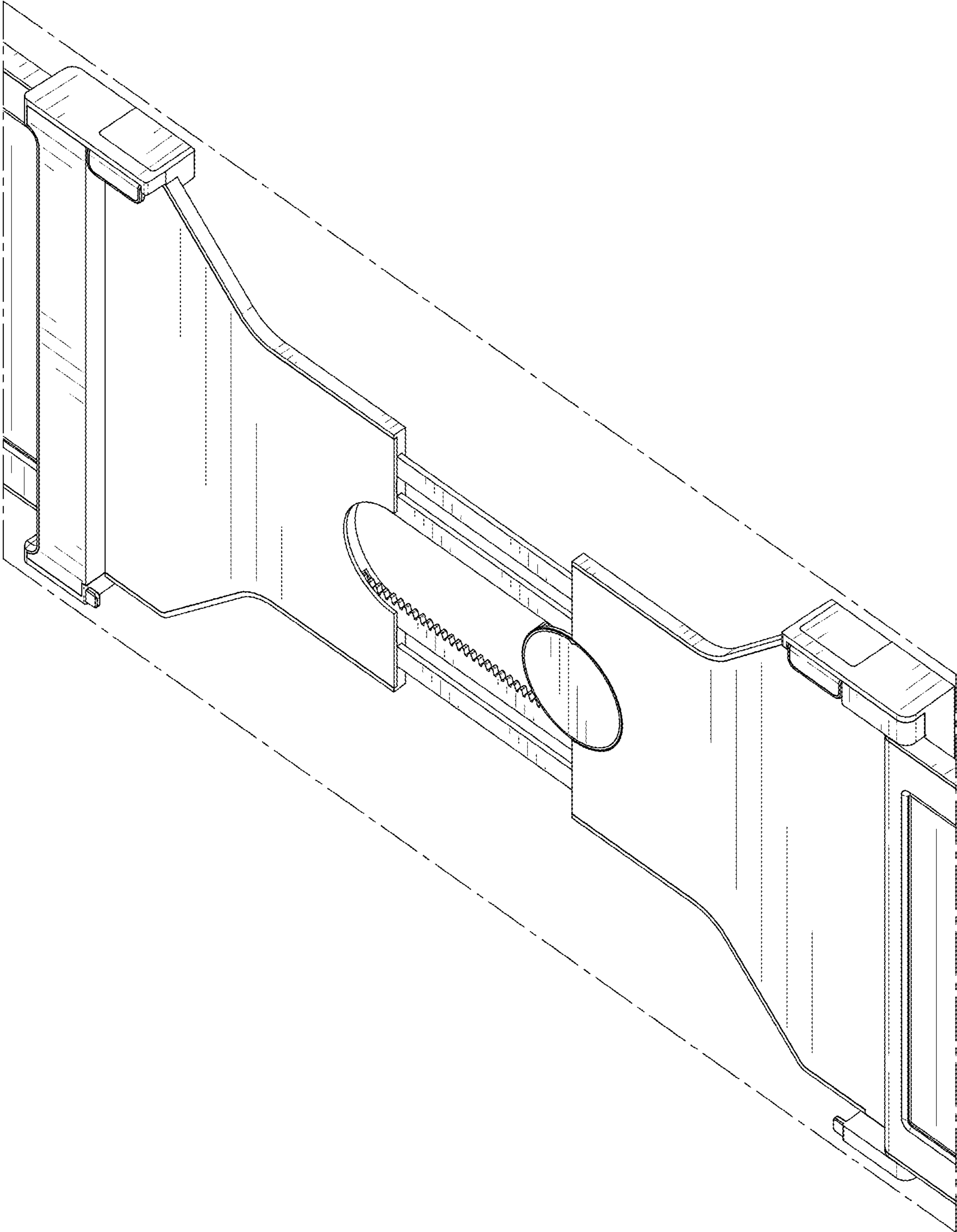


FIG. 9

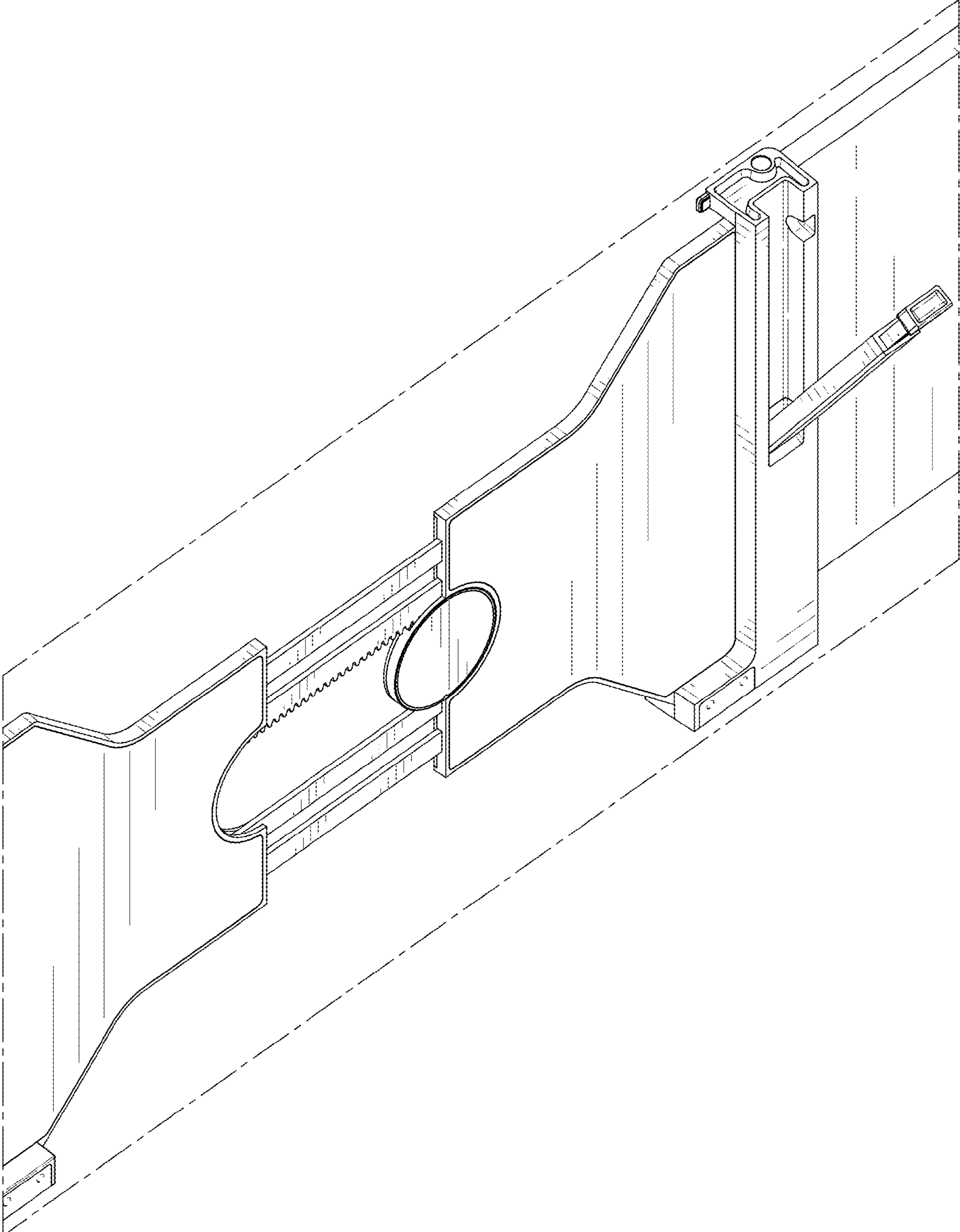


FIG. 10

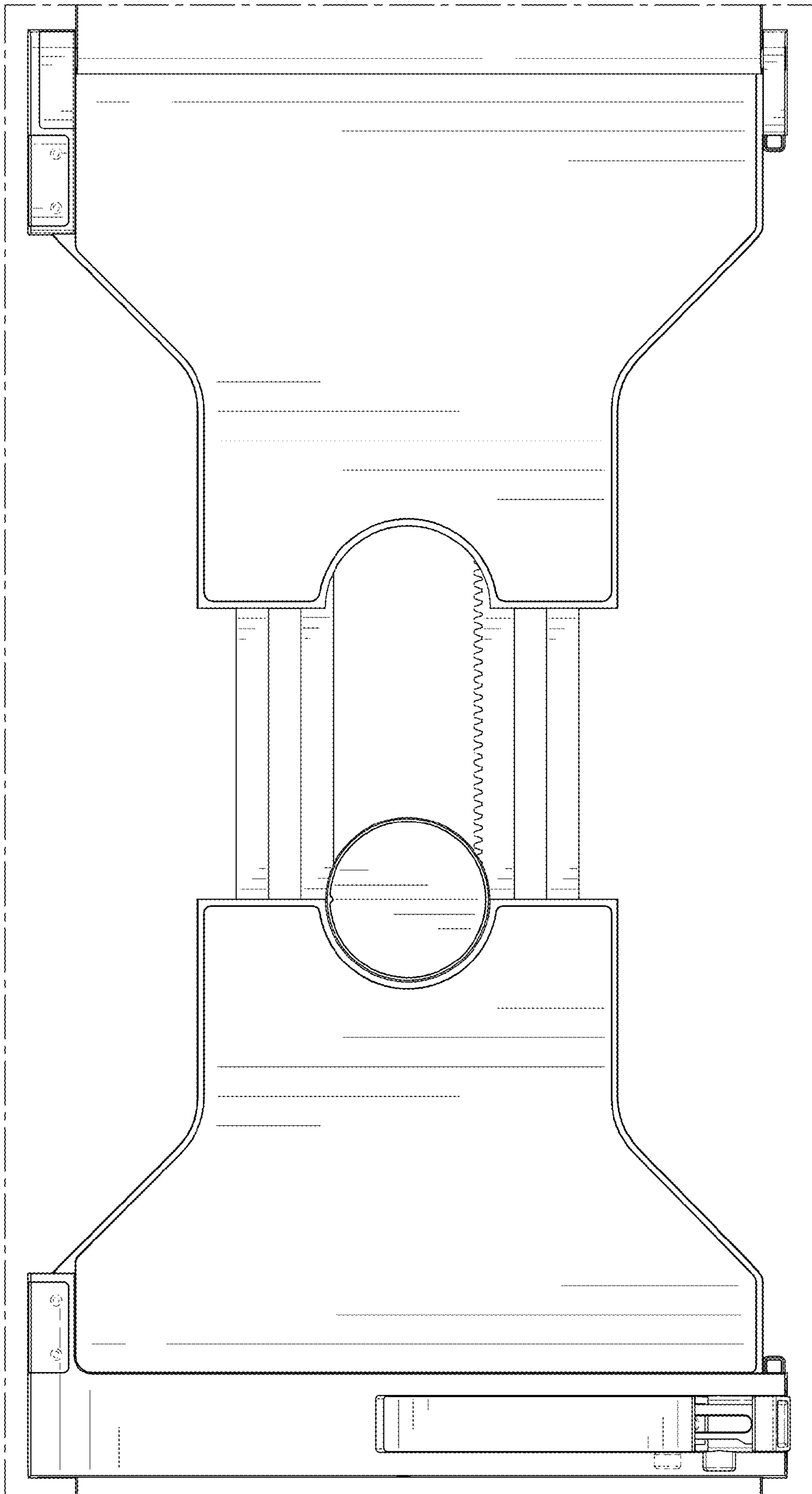


FIG. 11

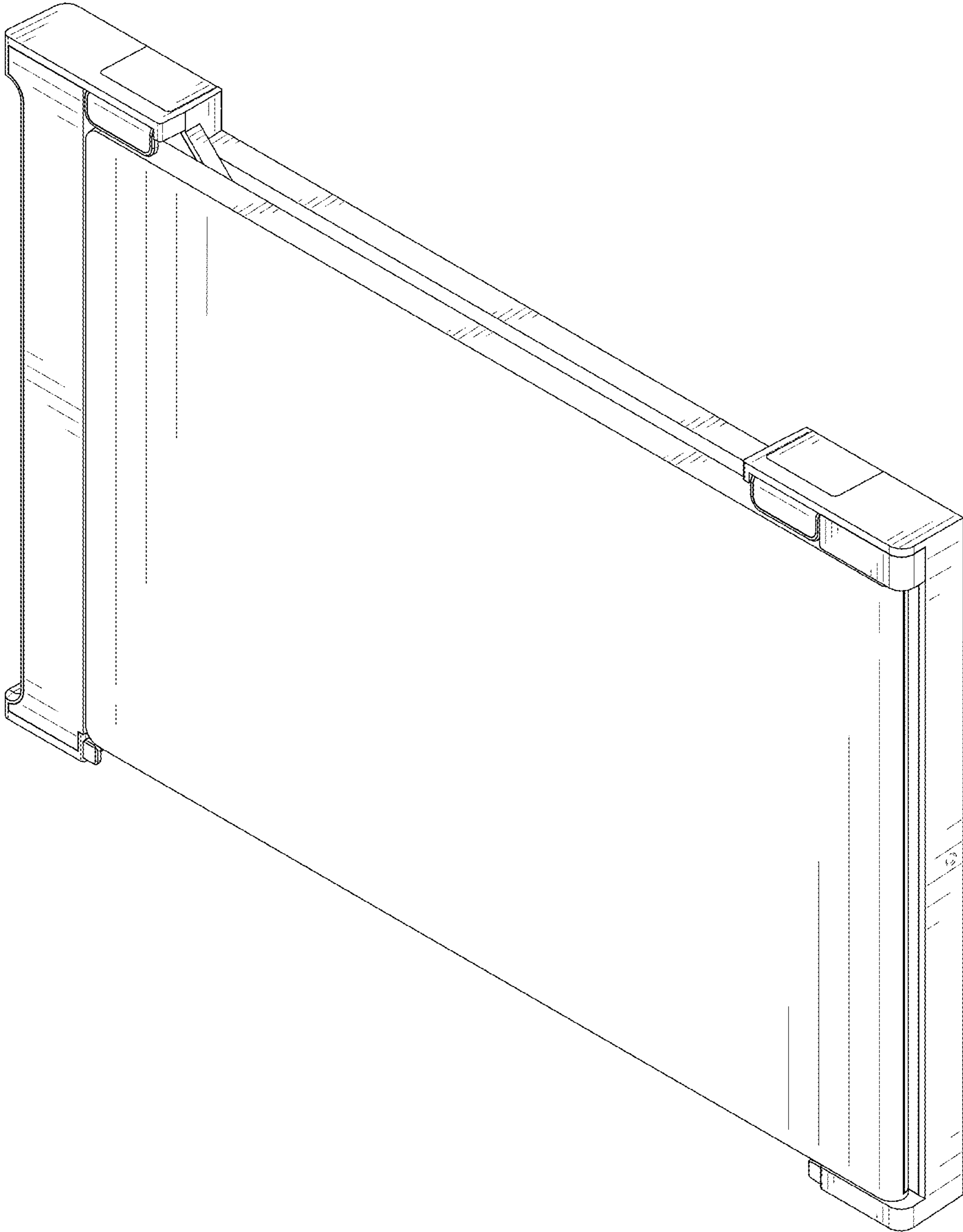


FIG. 12

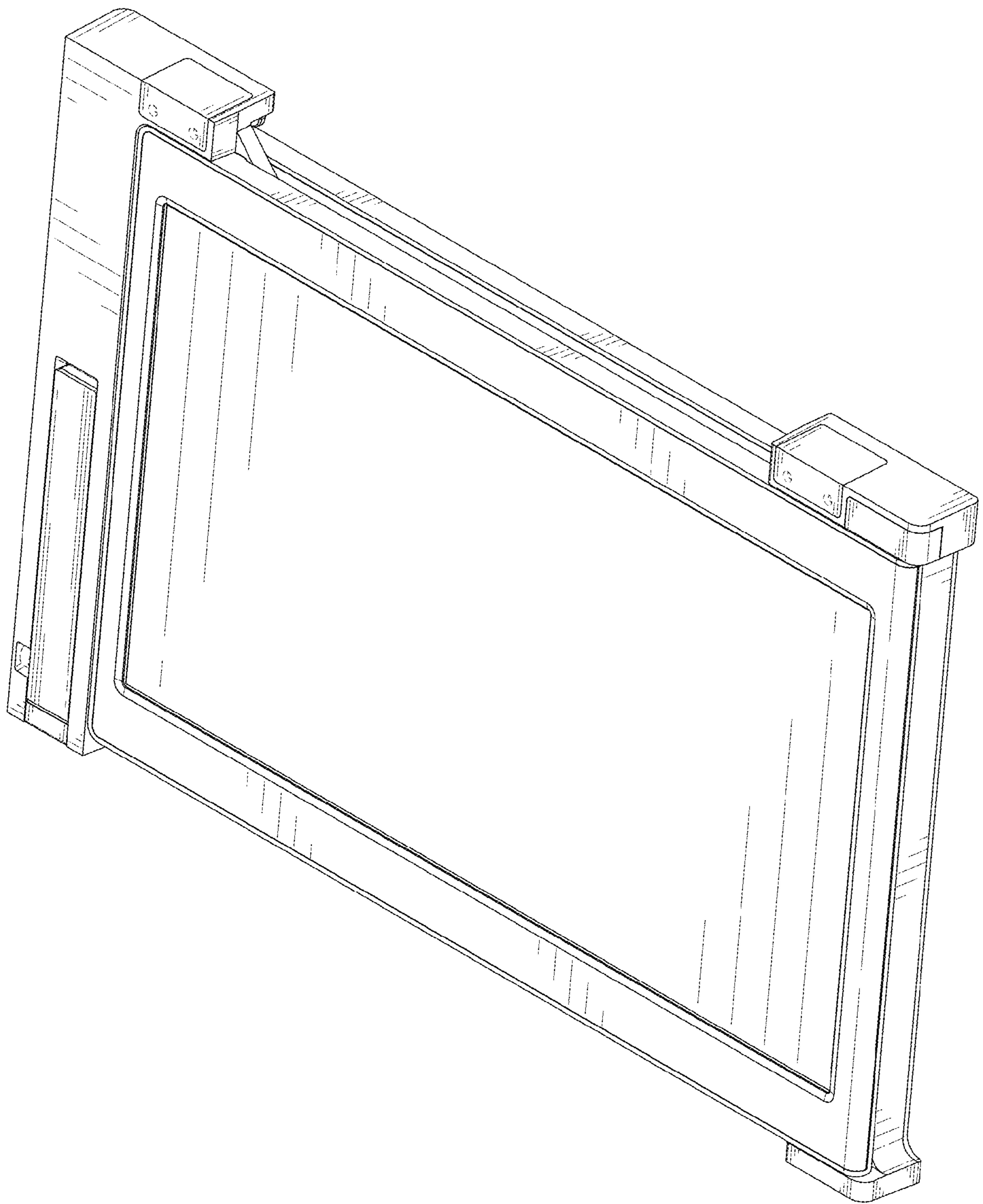


FIG. 13

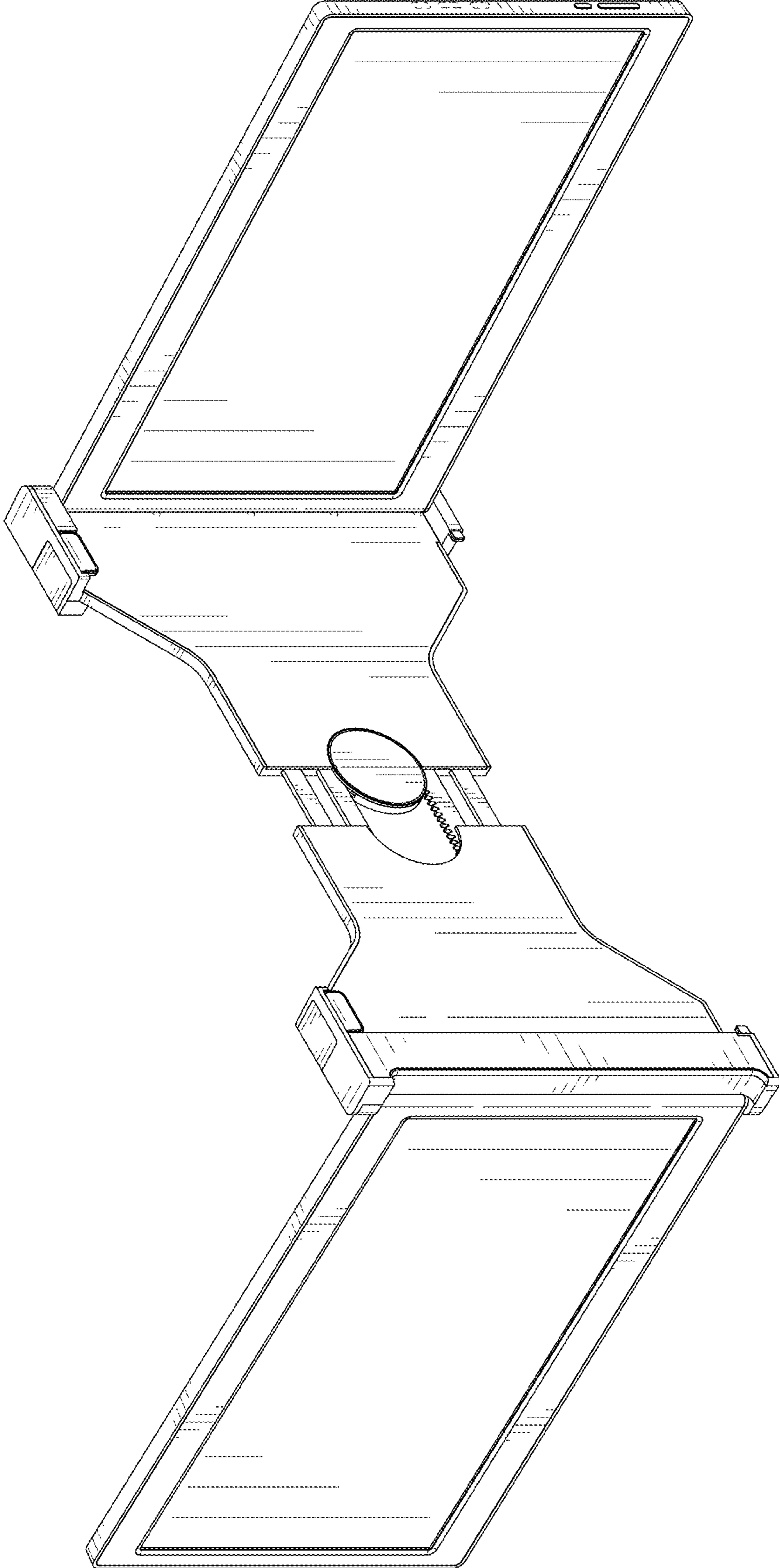


FIG. 14

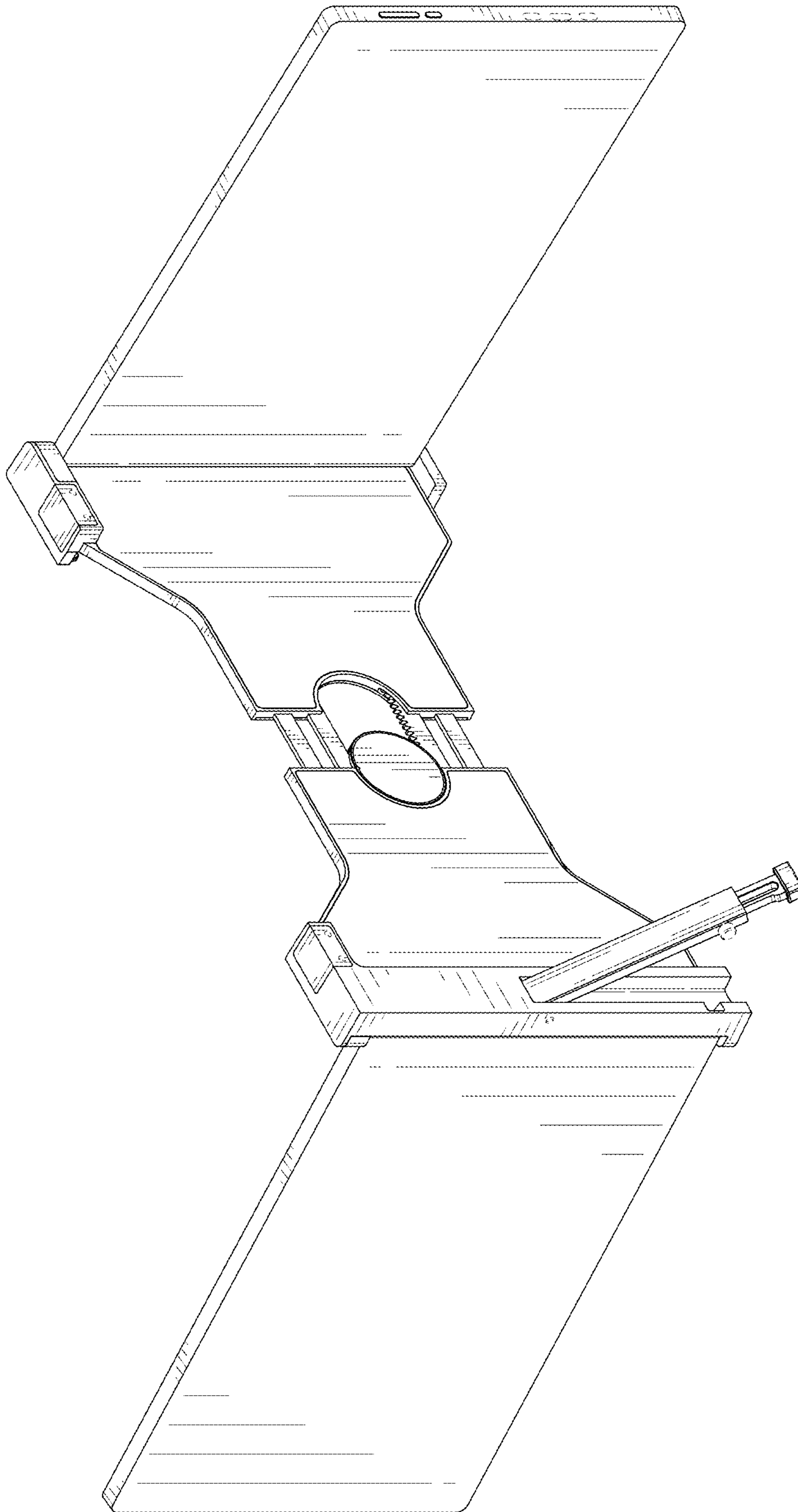


FIG. 15