

US00D938435S

(12) **United States Design Patent**
Feng

(10) **Patent No.:** **US D938,435 S**

(45) **Date of Patent:** **** Dec. 14, 2021**

(54) **LAPTOP STAND**

(71) Applicant: **SHENZHEN BESTQI INNOVATION TECHNOLOGY CO., LTD**, Shenzhen (CN)

(72) Inventor: **Keni Feng**, Shenzhen (CN)

(73) Assignee: **SHENZHEN BESTQI INNOVATION TECHNOLOGY CO., LTD**, Shenzhen (CN)

(**) Term: **15 Years**

(21) Appl. No.: **29/772,938**

(22) Filed: **Mar. 5, 2021**

(51) **LOC (13) Cl.** **08-07**

(52) **U.S. Cl.**
USPC **D14/447**

(58) **Field of Classification Search**
USPC D14/447, 432, 434, 439, 440, 451, 452, D14/457, 239, 253; D8/363, 373, 380; D6/406.3, 406.4, 406.5, 406.6; D12/415; D13/108
CPC A47B 21/04; A47B 2097/006; A47B 2097/005; A47B 2023/049; A45C 2011/002; A45C 2011/003; F16M 2200/00; F16M 13/00

See application file for complete search history.

(56) **References Cited**

U.S. PATENT DOCUMENTS

D468,542 S 1/2003 Hennekes et al.
D483,771 S 12/2003 Esswein

D494,977 S *	8/2004	Persson	D14/447
D554,647 S *	11/2007	Chan	D14/447
D579,455 S *	10/2008	Chu	D14/447
D637,600 S *	5/2011	Leyva-Menendez	D14/447
D690,708 S *	10/2013	Smith	D14/447
D857,698 S *	8/2019	Hu	D14/447
D857,700 S *	8/2019	Zeng	D14/447
D857,705 S *	8/2019	Hu	D14/451
D908,133 S *	1/2021	Huang	D14/447
D910,645 S *	2/2021	Lyu	D14/451
D914,028 S *	3/2021	Lyu	D14/451
D914,029 S *	3/2021	Lyu	D14/451
D914,692 S *	3/2021	Lyu	D14/451

* cited by examiner

Primary Examiner — Angela J Lee

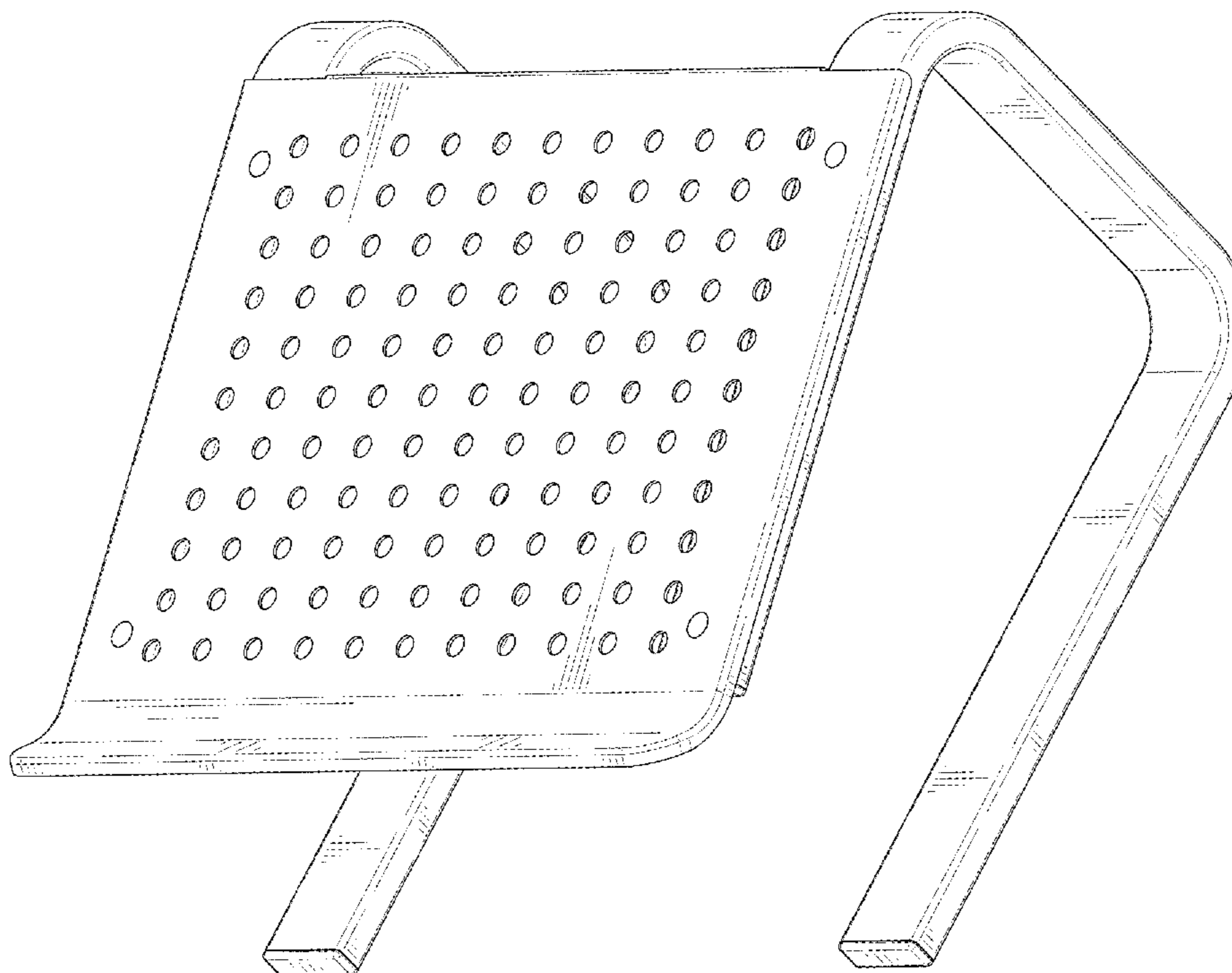
(57) **CLAIM**

The ornamental design for a laptop stand, as shown and described.

DESCRIPTION

FIG. 1 is a perspective view of a laptop stand showing my new design;
FIG. 2 is another perspective view thereof;
FIG. 3 is a front elevational view thereof;
FIG. 4 is a rear elevational view thereof;
FIG. 5 is a left side elevational view thereof;
FIG. 6 is a right side elevational view thereof;
FIG. 7 is a top plan view thereof; and,
FIG. 8 is a bottom plan view thereof.

1 Claim, 8 Drawing Sheets



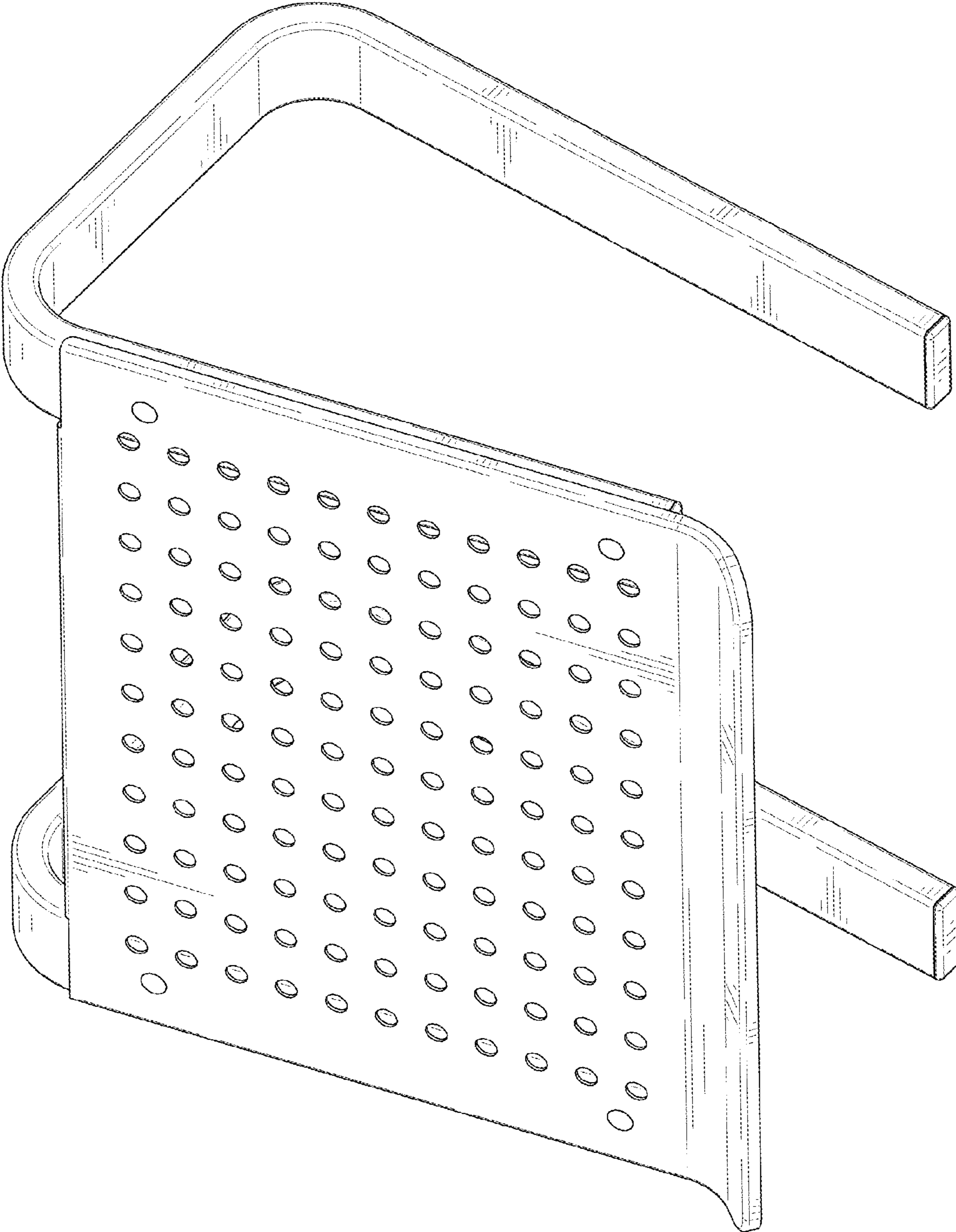


FIG. 1

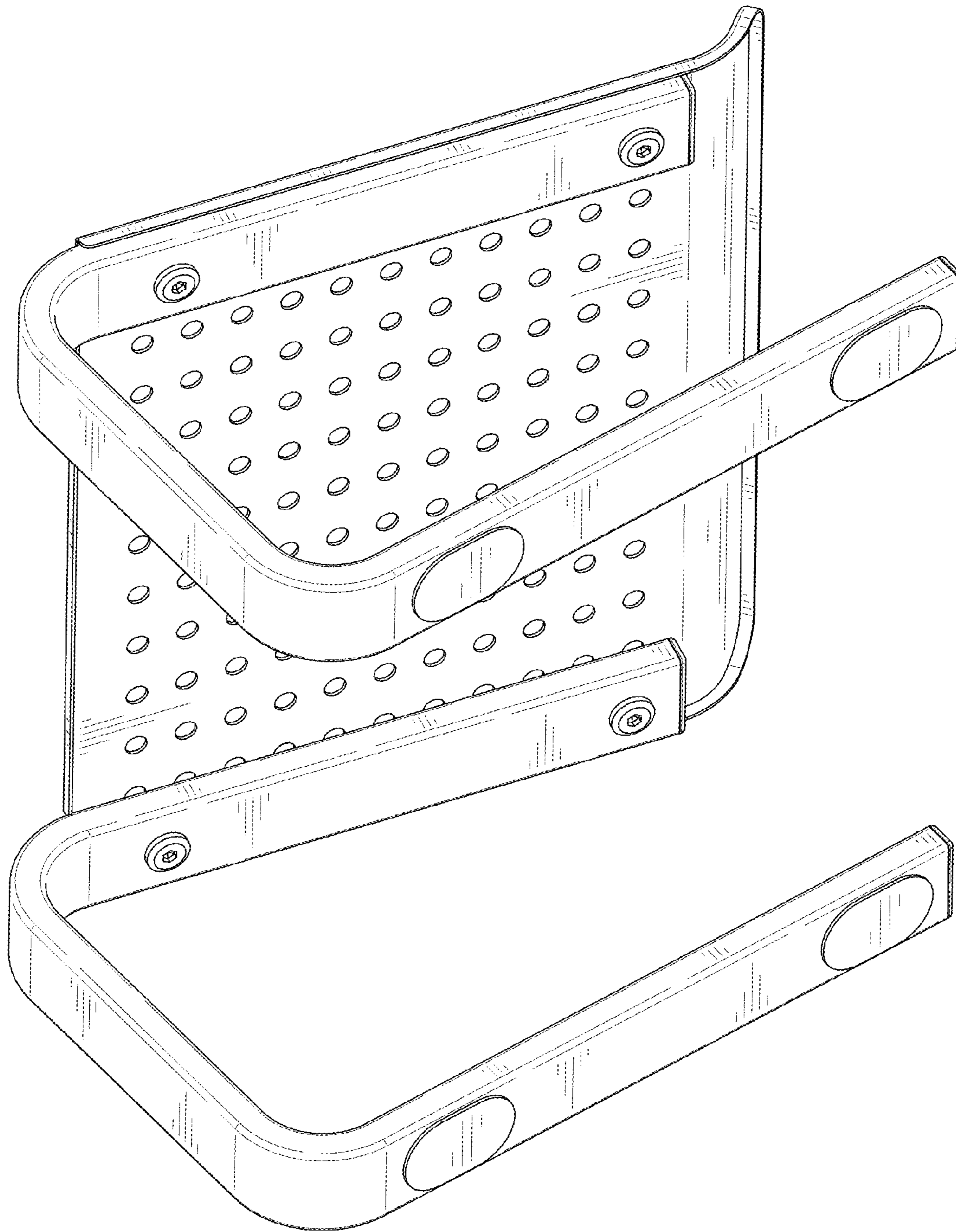


FIG. 2

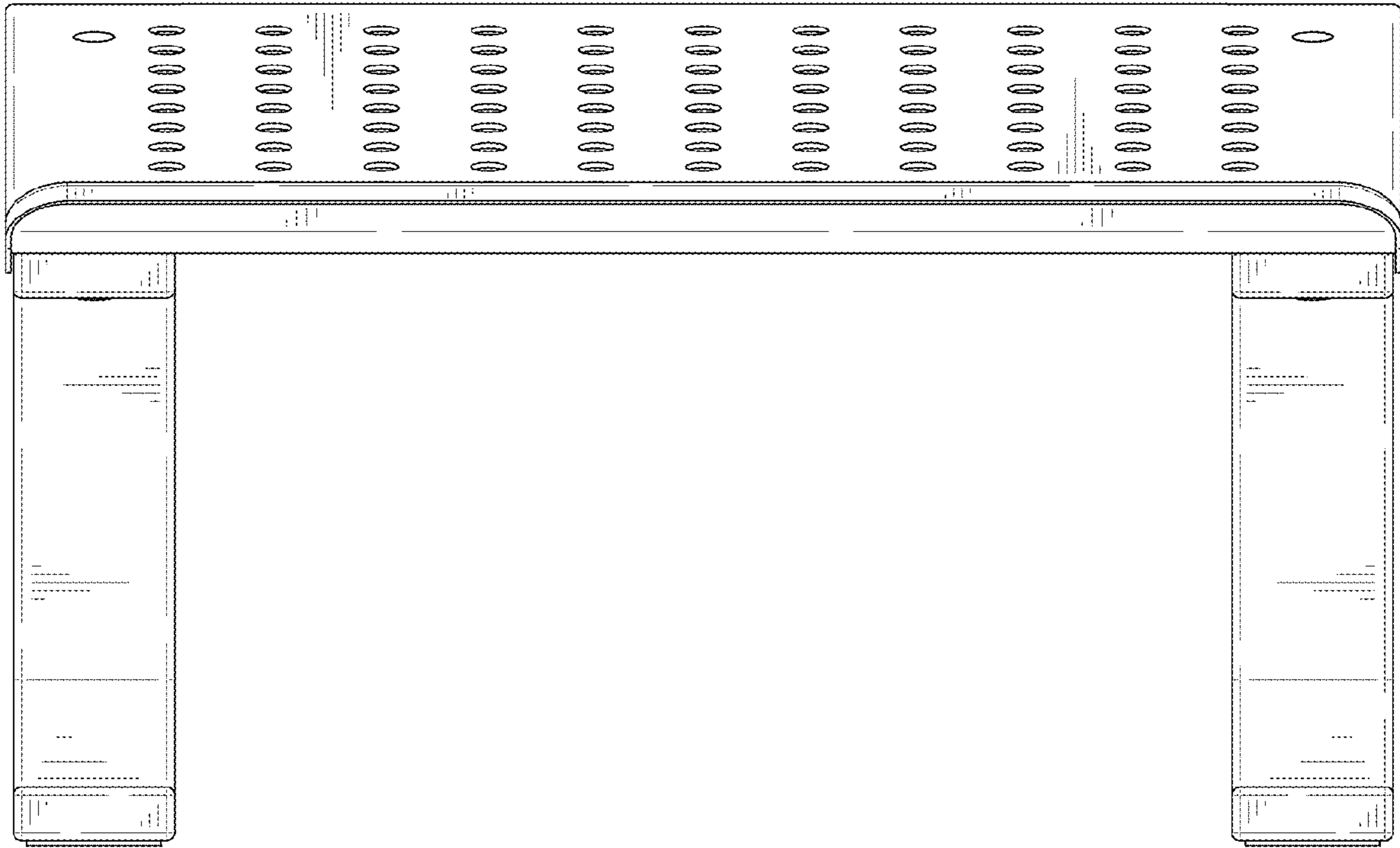


FIG. 3

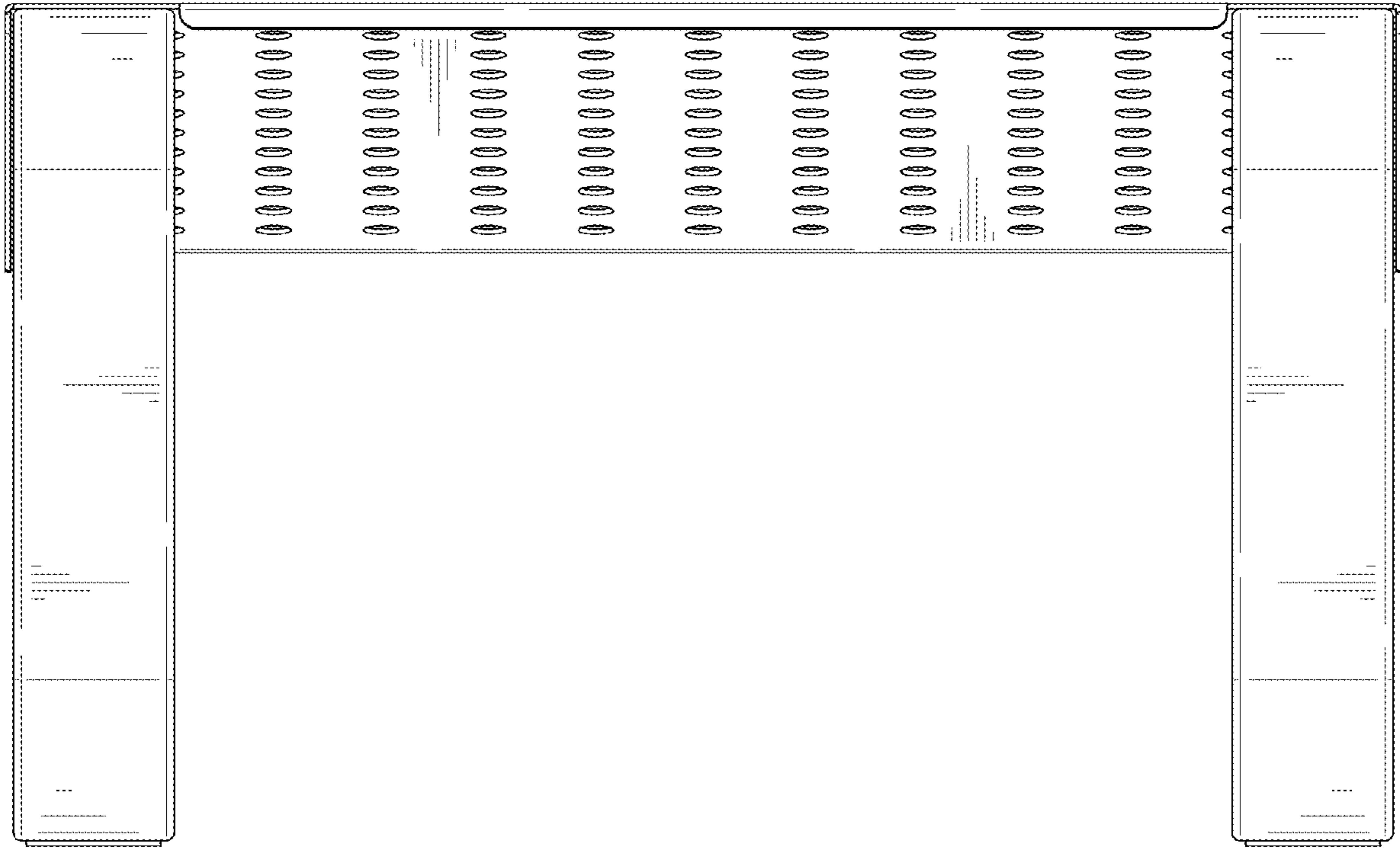


FIG. 4

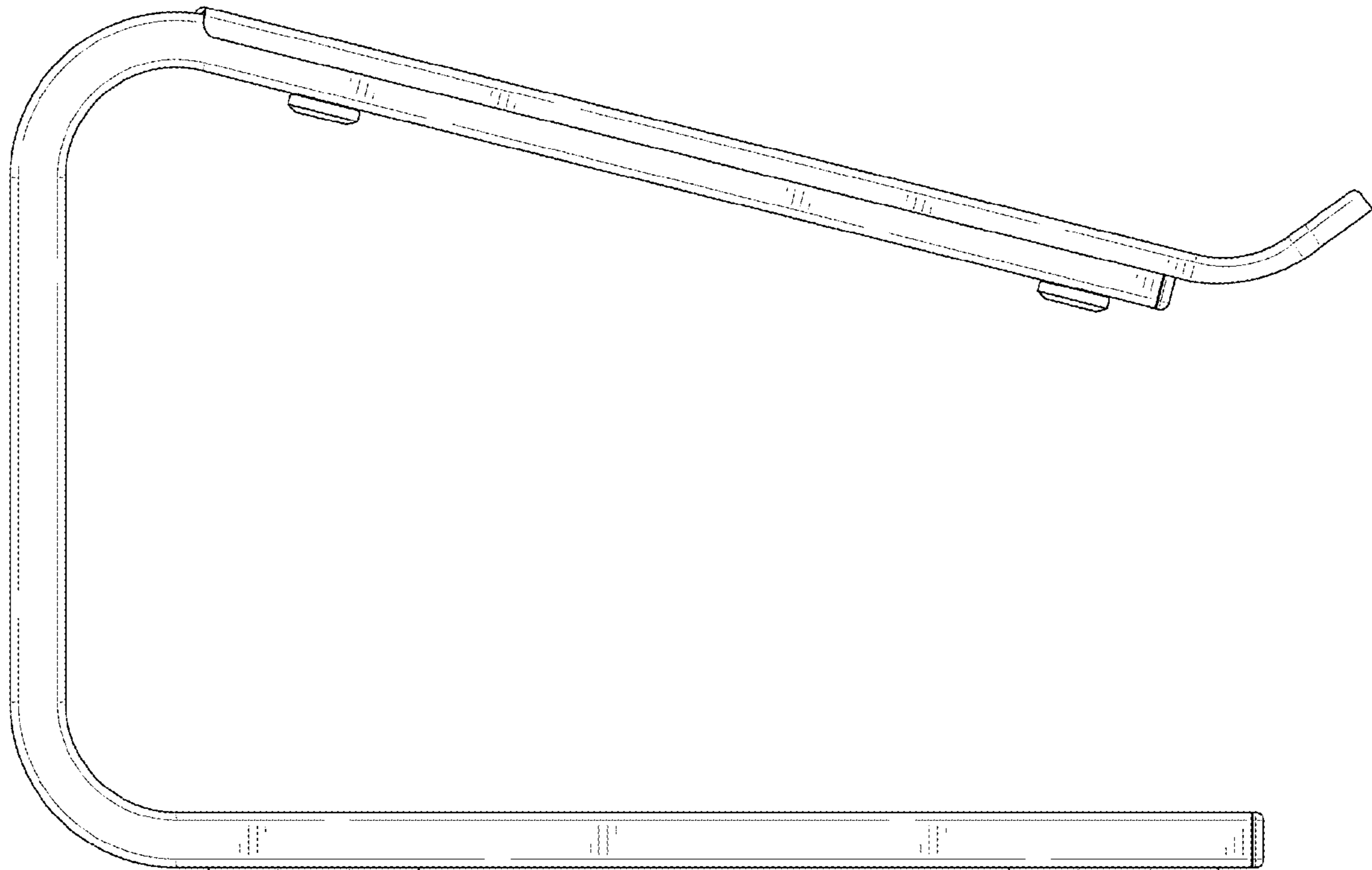


FIG. 5

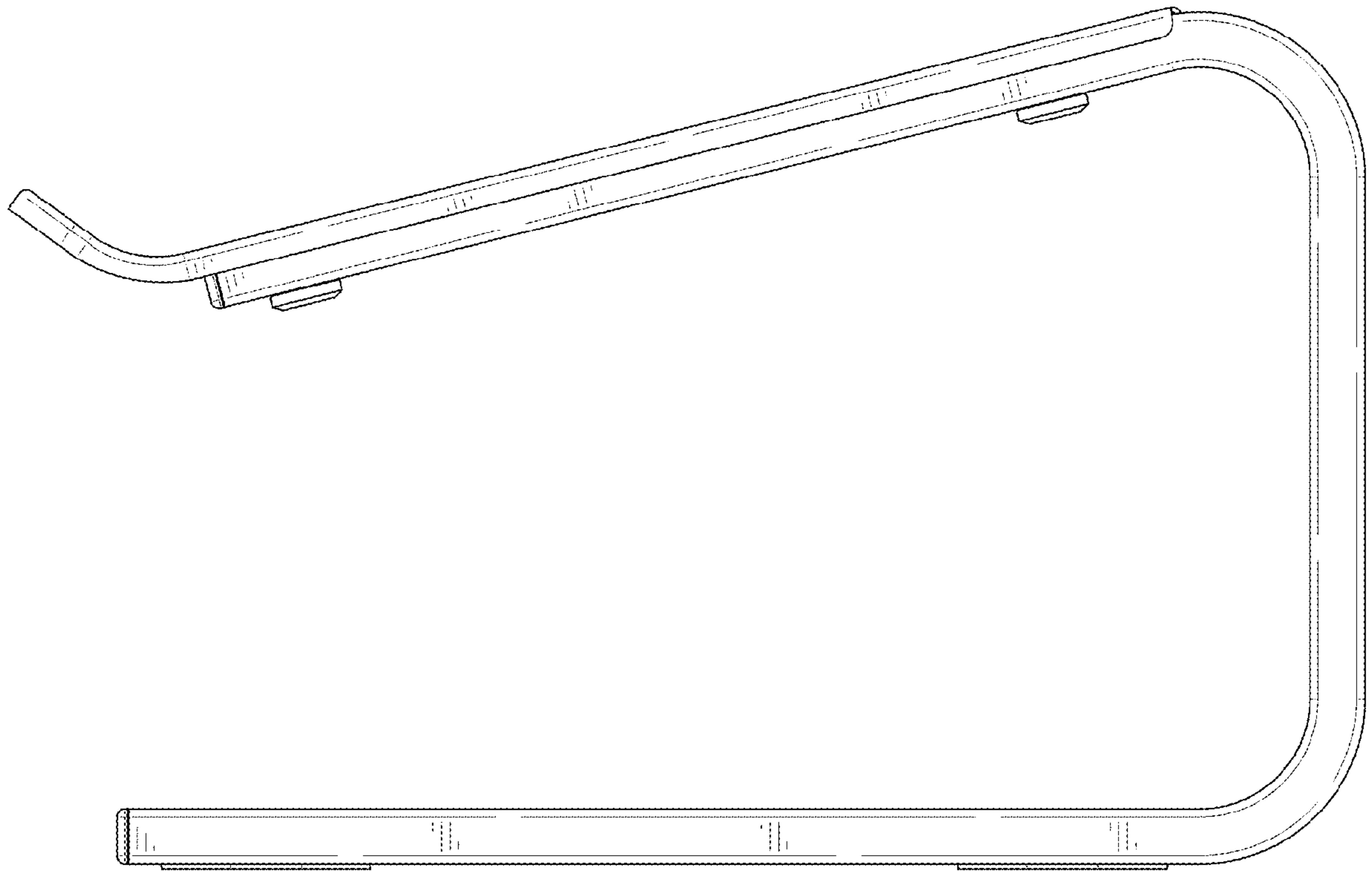


FIG. 6

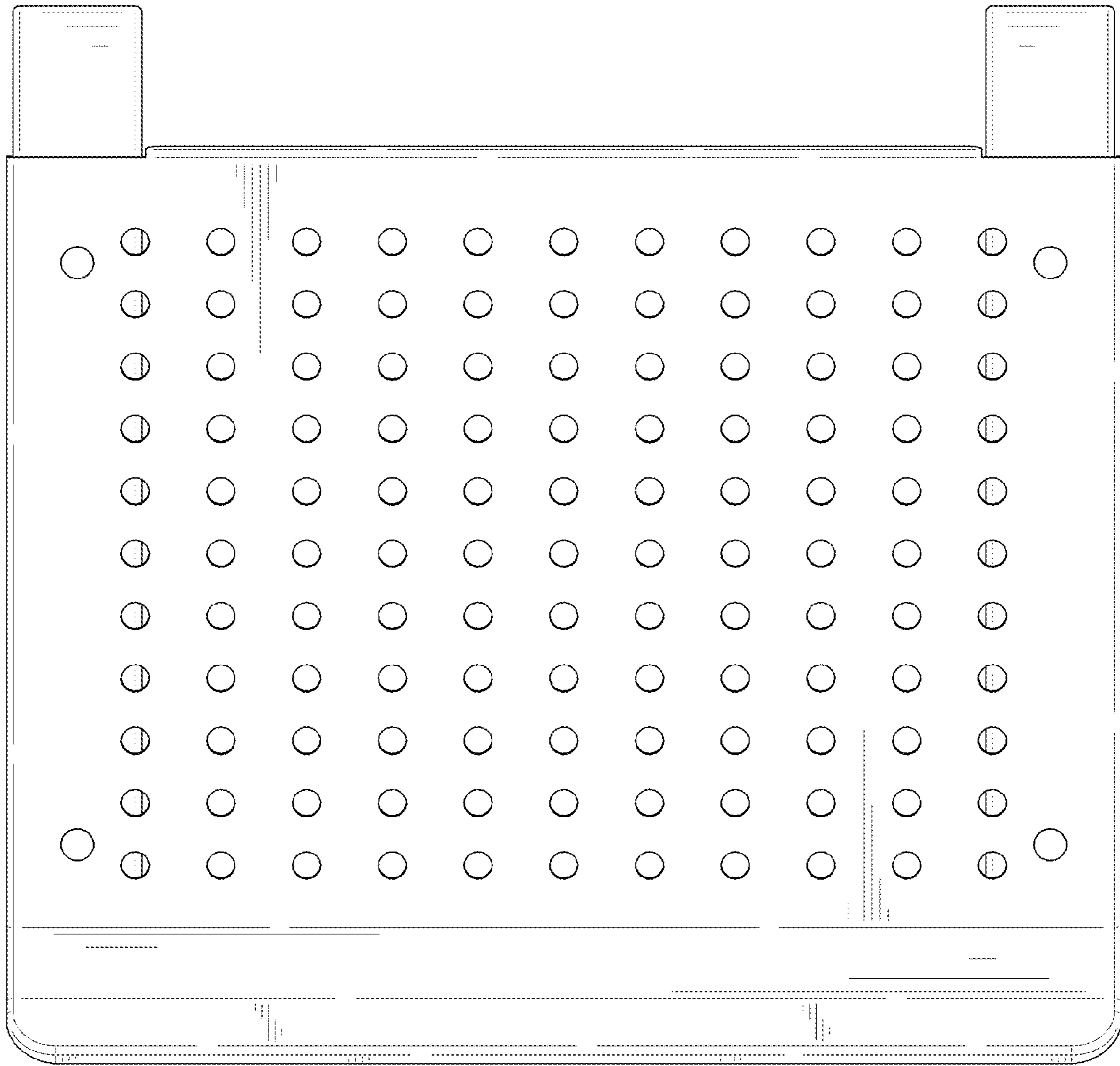


FIG. 7

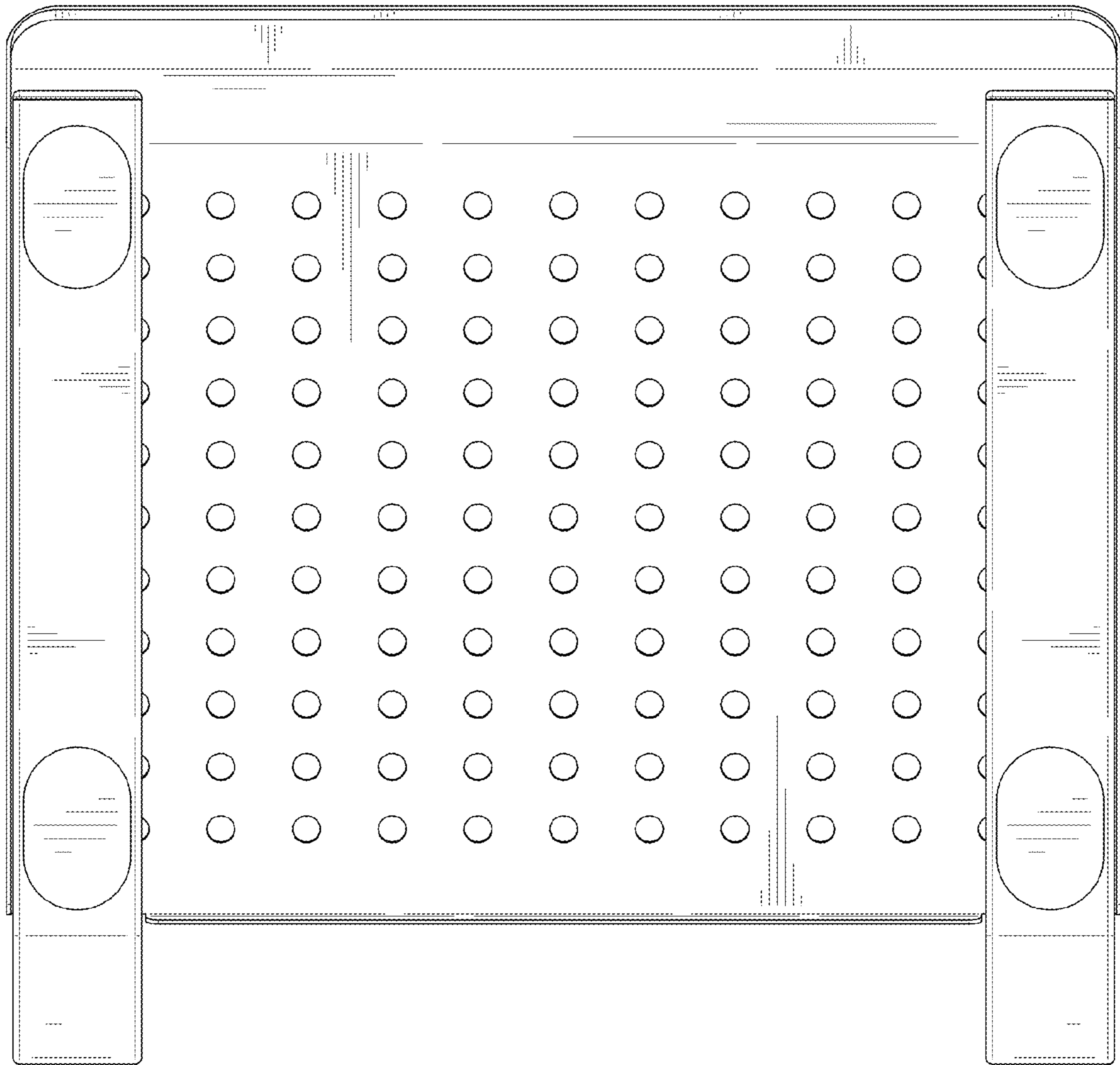


FIG. 8