



US00D938434S

(12) **United States Design Patent**
Lee

(10) **Patent No.:** **US D938,434 S**
(45) **Date of Patent:** **** Dec. 14, 2021**

(54) **STAND FOR ELECTRONIC DEVICES**
(71) Applicant: **elago CO. LTD**, Goyang-si (KR)
(72) Inventor: **Chanwoo Lee**, Goyang-si (KR)
(73) Assignee: **elago CO. LTD**, Goyang-si (KR)

(**) Term: **15 Years**
(21) Appl. No.: **29/766,474**

(22) Filed: **Jan. 15, 2021**
(51) **LOC (13) Cl.** **14-02**
(52) **U.S. Cl.**
USPC **D14/447**; D13/108
(58) **Field of Classification Search**
USPC D13/103, 107-110, 118-119, 184, 199;
D14/251, 253, 432, 434, 447; D6/682
CPC H02J 7/025; H02J 7/005; H02J 7/0026;
H02J 7/0042; H02J 7/0044; H02J 7/0045;
H02J 7/0013; H02J 7/0003; H02J 7/02;
H02J 50/10; H02J 50/12
See application file for complete search history.

(56) **References Cited**

U.S. PATENT DOCUMENTS

D813,805 S *	3/2018	Zhong	D13/108
D814,413 S *	4/2018	Zhong	D13/108
D852,134 S *	6/2019	Mei	D13/108
D852,135 S *	6/2019	Mei	D13/108
D858,437 S *	9/2019	Lu	D13/108
D872,726 S *	1/2020	Lindof	D14/253
D873,216 S *	1/2020	Zhang	D13/108
D875,679 S *	2/2020	Yi	D13/108
D877,072 S *	3/2020	Yin	D13/108
D879,035 S *	3/2020	Li	D13/108
D886,056 S *	6/2020	Zhang	D13/108
D889,403 S *	7/2020	Li	D13/108
D902,149 S *	11/2020	Tu	D13/108

D905,042 S *	12/2020	Lim	D14/253
D911,277 S *	2/2021	Shang	D13/108
D911,278 S *	2/2021	Shang	D13/108
D918,136 S *	5/2021	Xu	D13/108
D927,233 S *	8/2021	Lee	D6/682
2021/0218256 A1 *	7/2021	Yang	H02J 50/005

FOREIGN PATENT DOCUMENTS

CN	305049208	2/2019
CN	305458894	11/2019
CN	305687478	4/2020
CN	305850987	6/2020

(Continued)

Primary Examiner — Rosemary K Tarcza

(74) *Attorney, Agent, or Firm* — Paratus Law Group, PLLC

(57) **CLAIM**

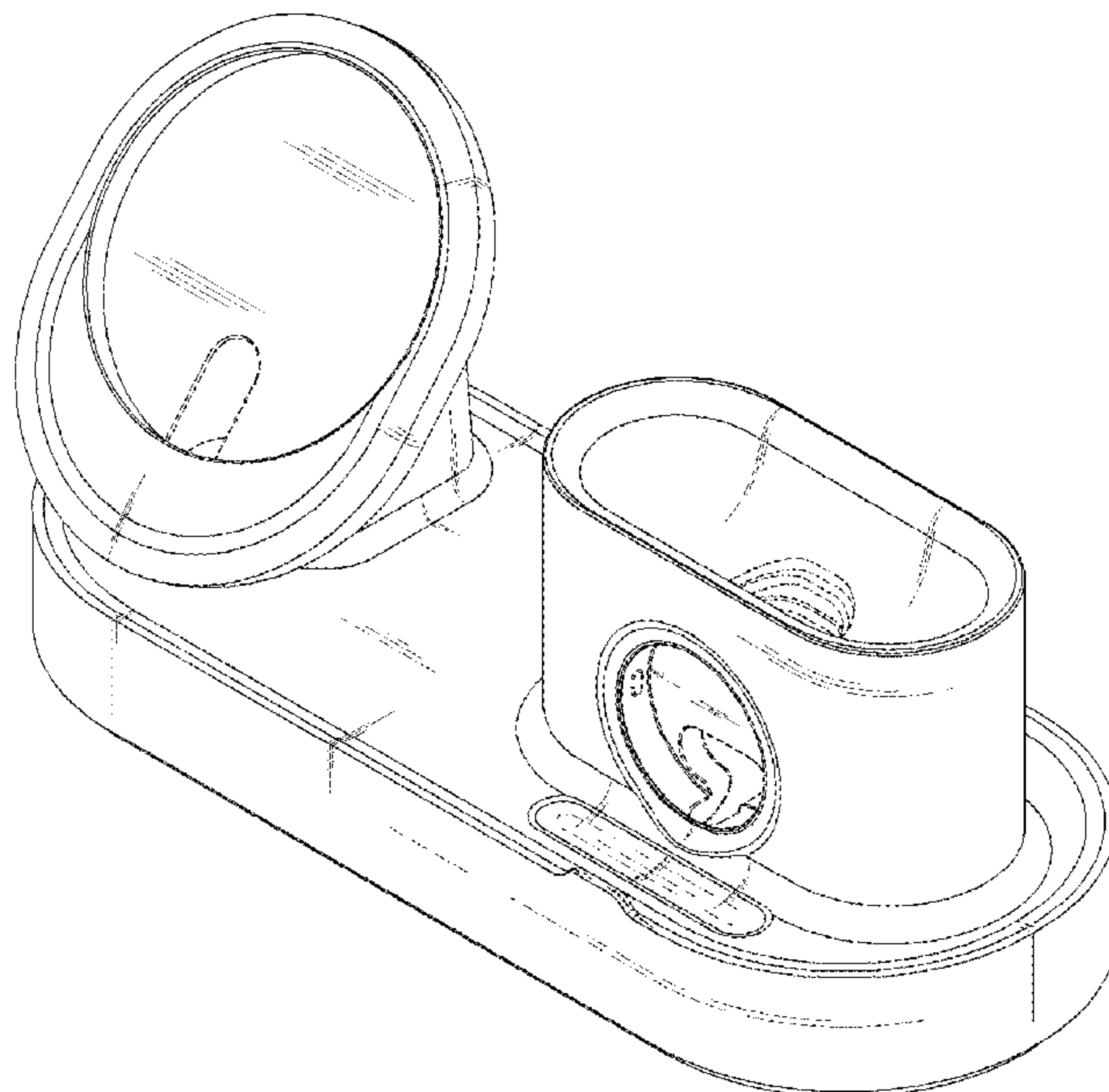
The ornamental design for a stand for electronic devices, as shown and described.

DESCRIPTION

FIG. 1 is a front, top, and right-side perspective view of a stand for electronic devices showing my new design; FIG. 2 is a front view thereof; FIG. 3 is a back view thereof; FIG. 4 is a left-side view thereof; FIG. 5 is a right-side view thereof; FIG. 6 is a top view thereof; FIG. 7 is a bottom view thereof; FIG. 8 is a front, bottom, and left-side perspective view thereof; and, FIG. 9 is a front, top, and right-side perspective view thereof in use.

The broken lines shown in FIGS. 1, 2, and 6-8 depict parts of the stand for electronic devices and form no part of the claimed design. The broken lines shown in FIG. 9 depict environment and form no part of the claimed design.

1 Claim, 6 Drawing Sheets



(56)

References Cited

FOREIGN PATENT DOCUMENTS

CN	305868265	6/2020
CN	305877432	6/2020
CN	306085302	10/2020
CN	306128575	10/2020
EM	004747509-0001	3/2018
EM	005944105-0001	1/2019
EM	007139134-0001	11/2019
KR	300998944.0000	3/2019
WO	WO D102994-001	10/2018

* cited by examiner

FIG. 1

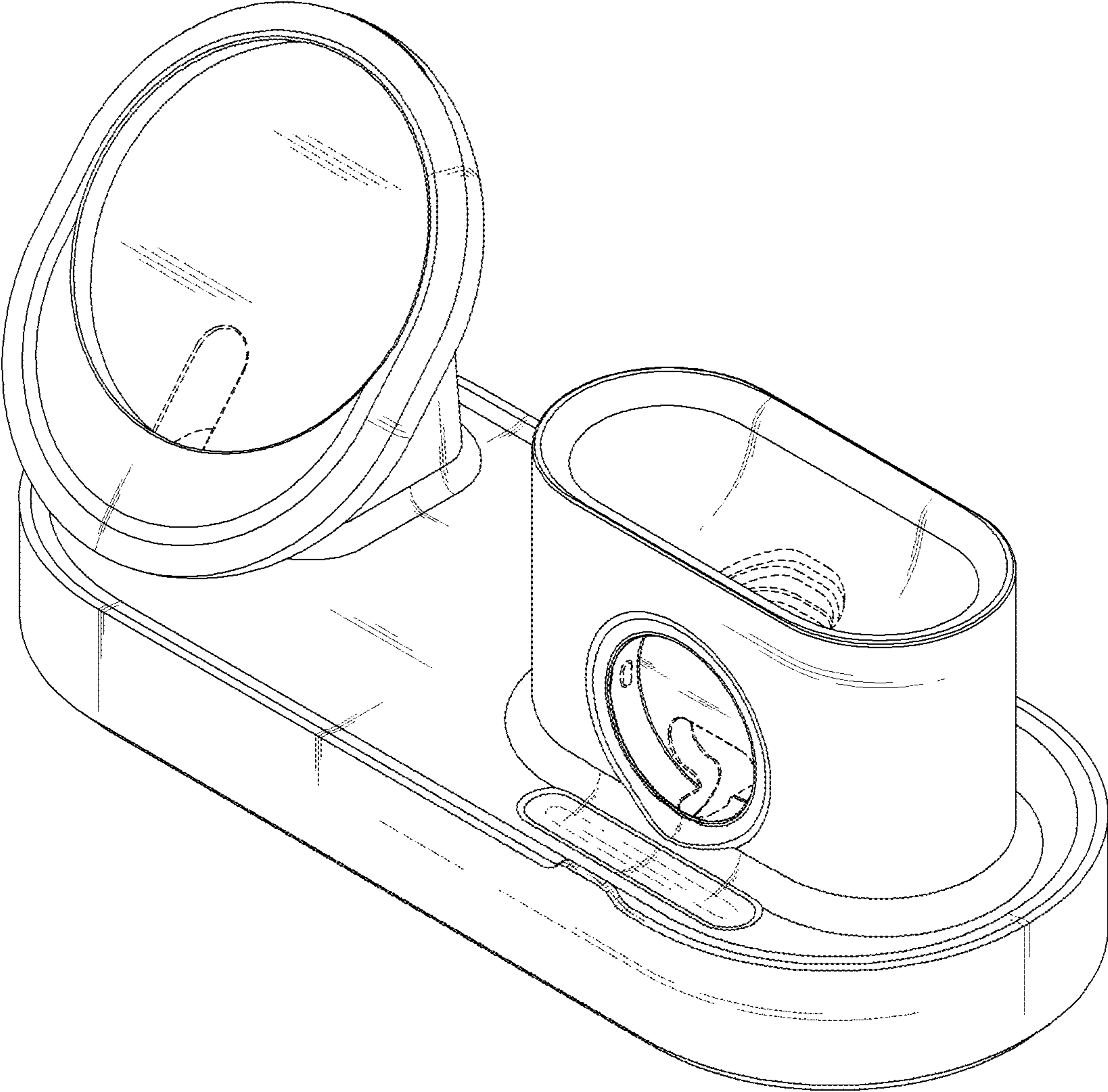


FIG. 2

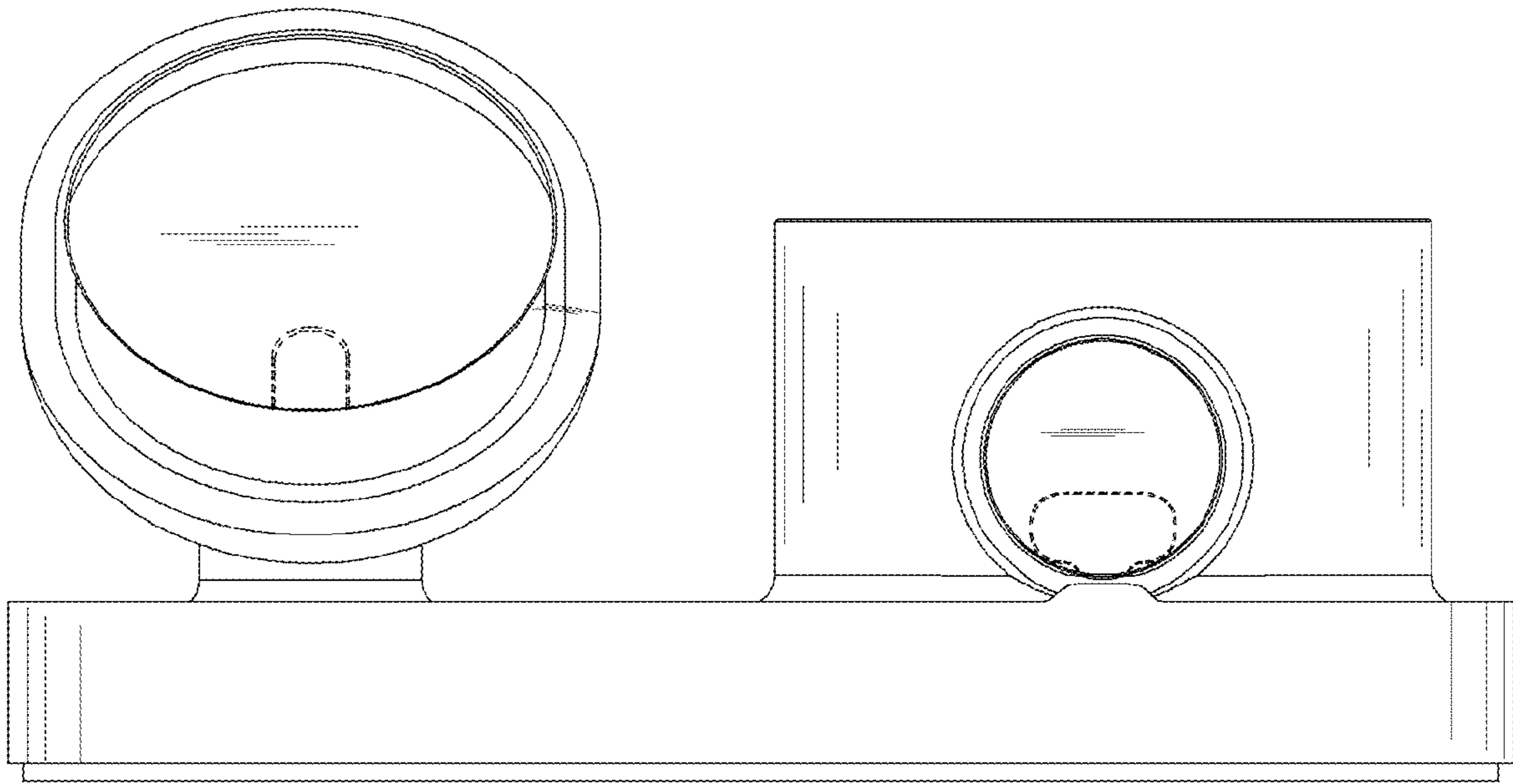


FIG. 3

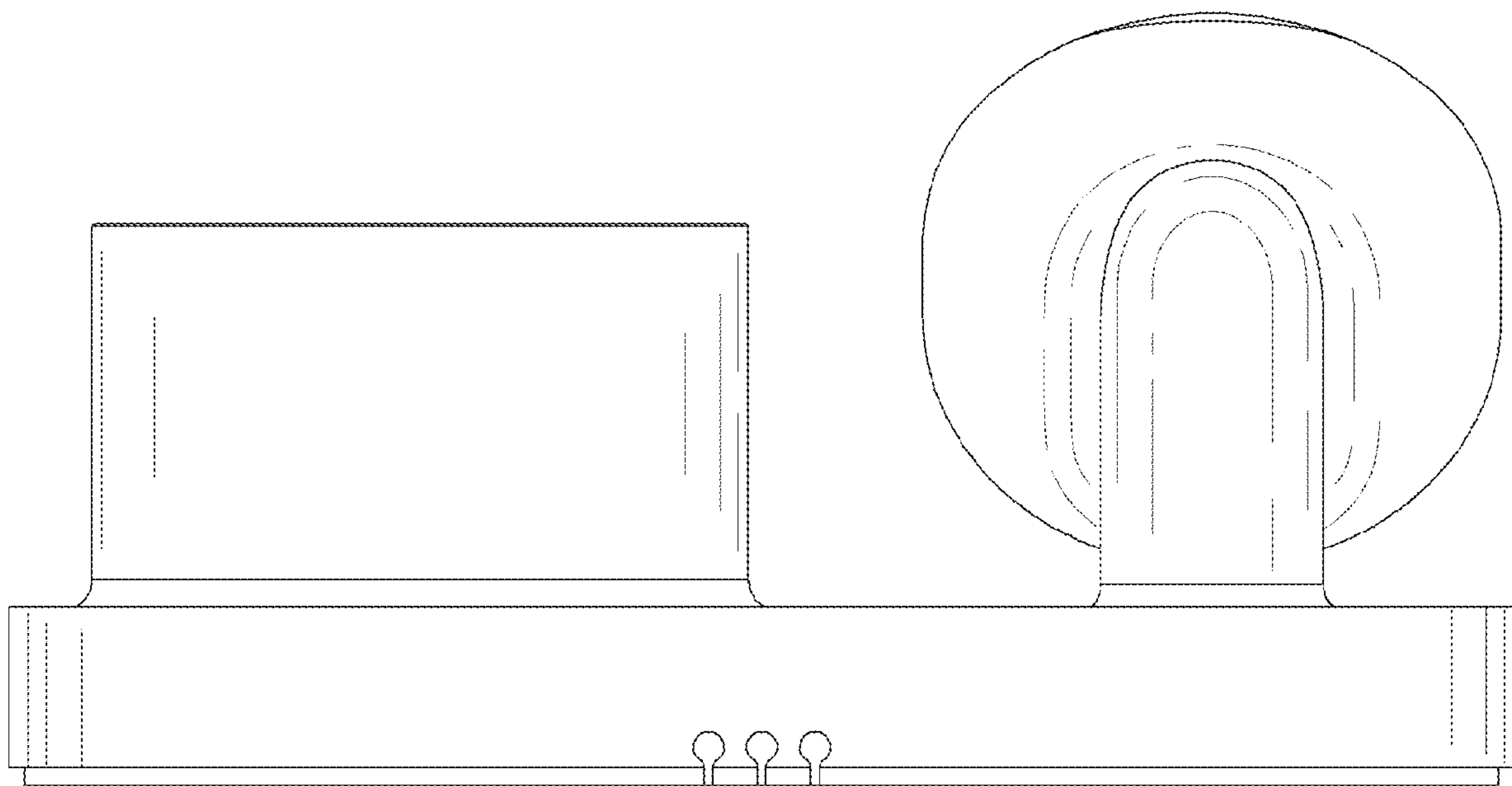


FIG. 4

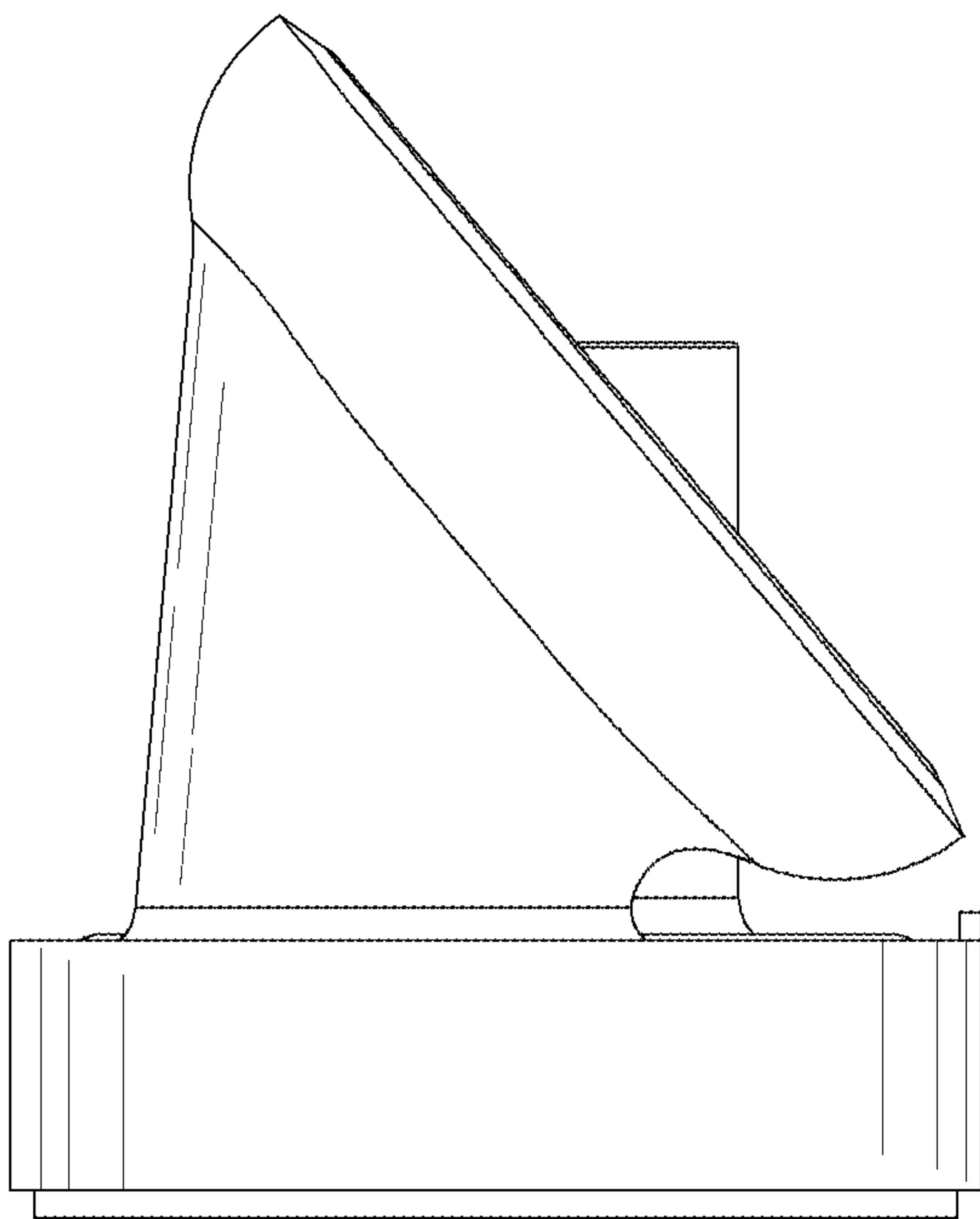


FIG. 5

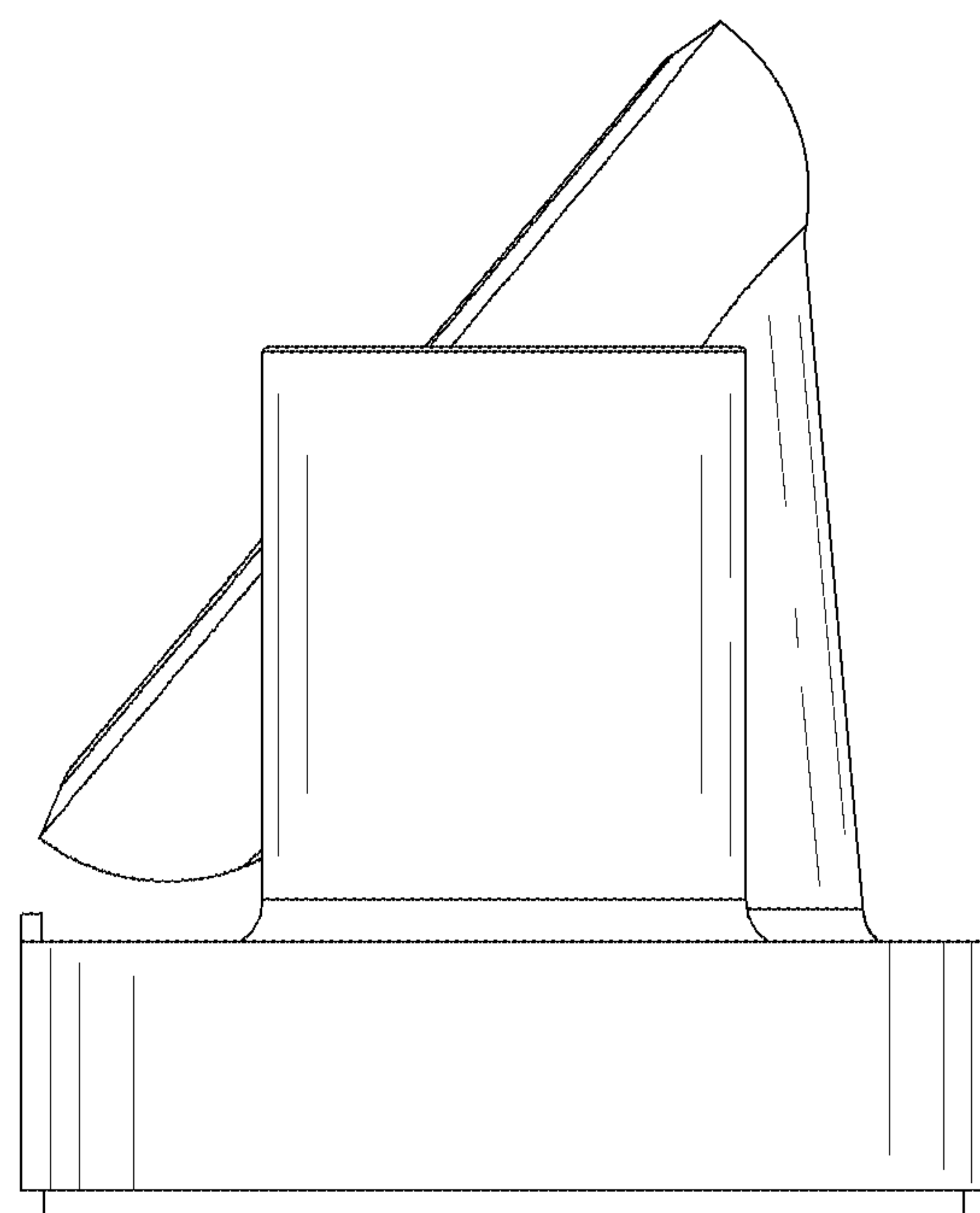


FIG. 6

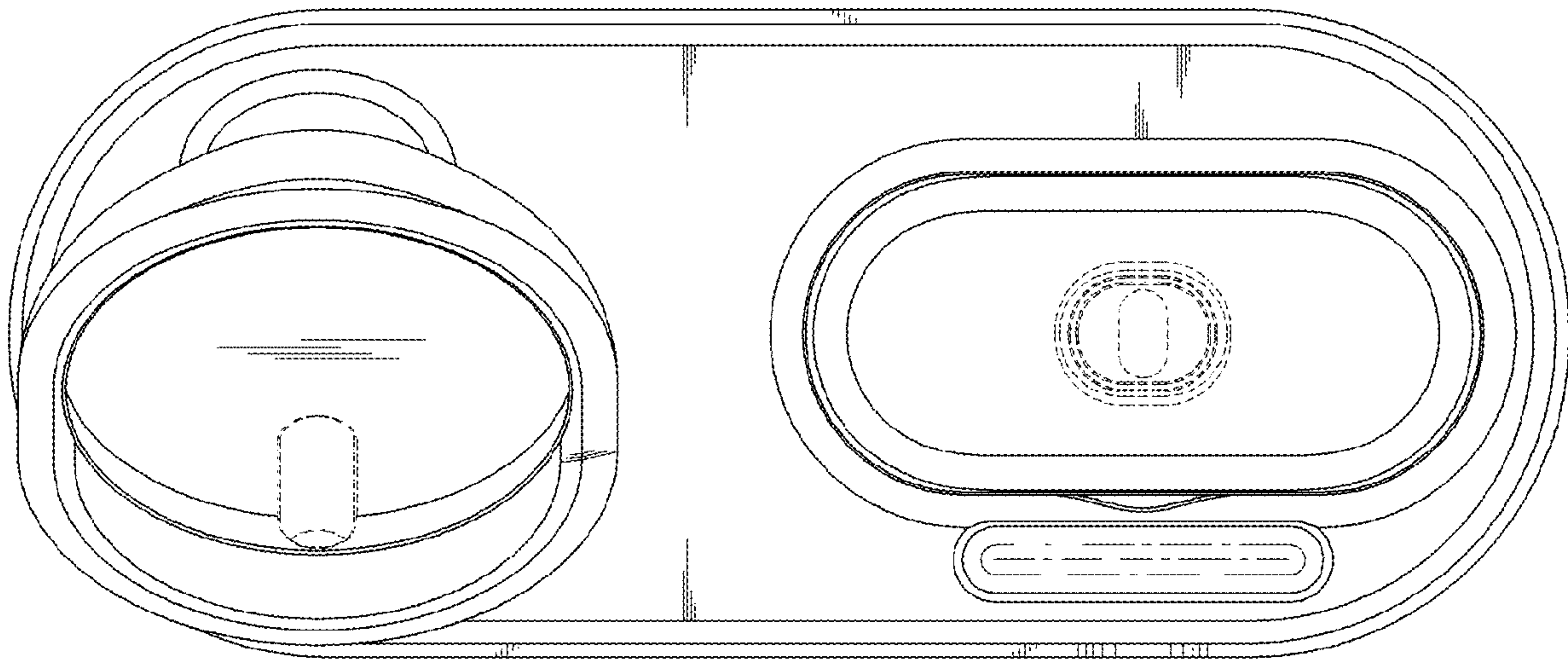


FIG. 7

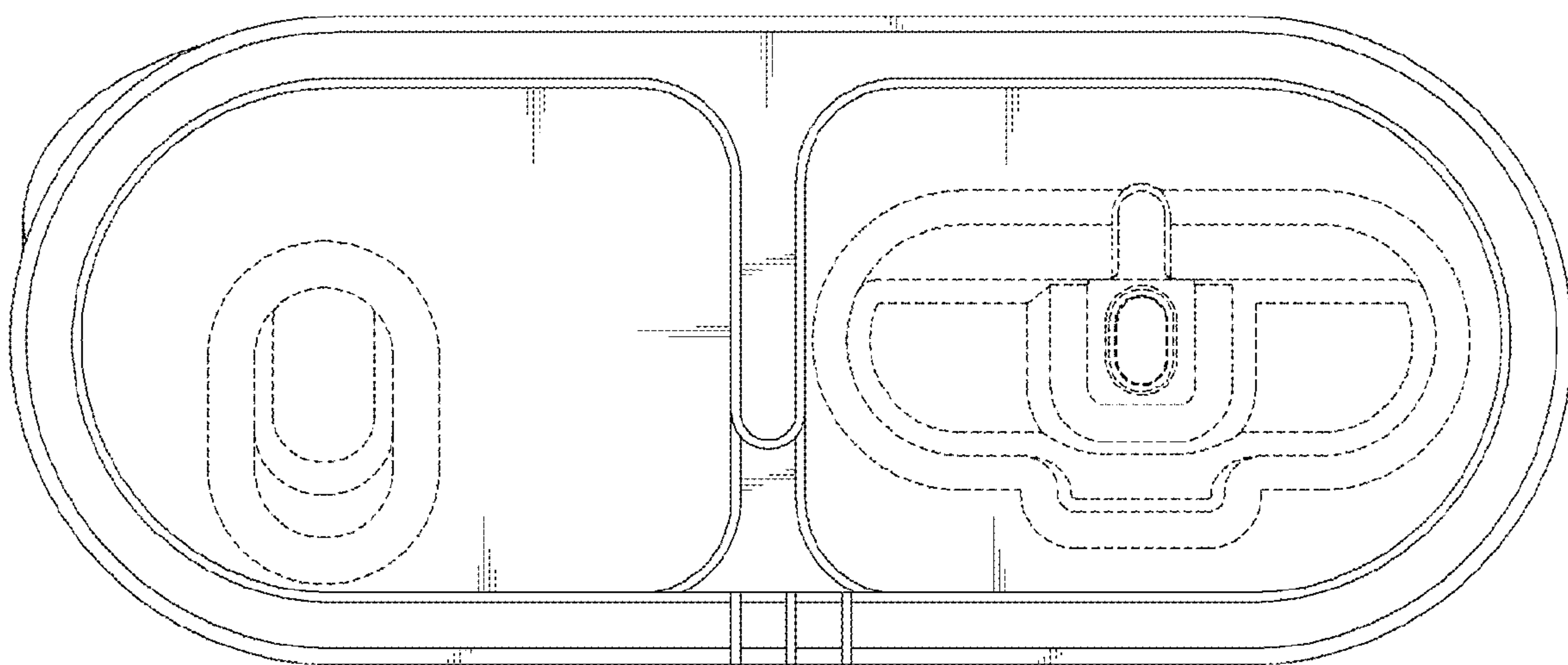


FIG. 8

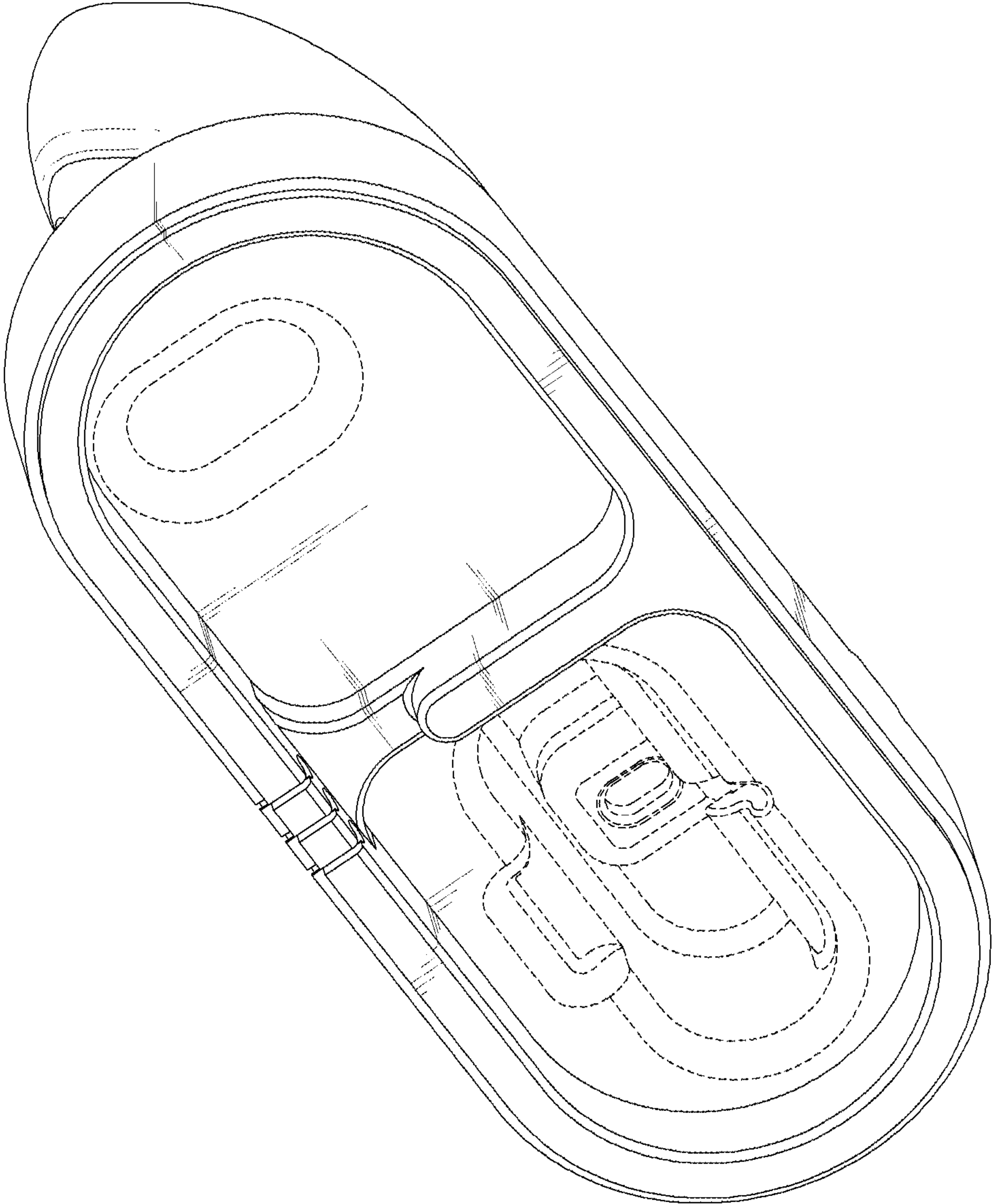


FIG. 9

