



US00D938433S

(12) **United States Design Patent**
Huang

(10) **Patent No.:** **US D938,433 S**

(45) **Date of Patent:** **** Dec. 14, 2021**

- (54) **LAPTOP OR TABLET STAND**
- (71) Applicant: **Zhuohua Huang**, Guangdong (CN)
- (72) Inventor: **Zhuohua Huang**, Guangdong (CN)
- (73) Assignee: **Shenzhen Suoke Donglai Technology Co., Ltd.**, Guangdong (CN)

D903,689 S *	12/2020	Zheng	D14/447
D907,640 S *	1/2021	Huang	D14/447
D907,644 S *	1/2021	Li	D14/447
D920,338 S *	5/2021	Chen	D14/447
D923,631 S *	6/2021	Chen	D14/447
D923,632 S *	6/2021	Li	D14/447
D928,790 S *	8/2021	Hong	D14/447

* cited by examiner

(**) Term: **15 Years**

Primary Examiner — Angela J Lee

(21) Appl. No.: **29/754,730**

(22) Filed: **Oct. 14, 2020**

(51) **LOC (13) Cl.** **08-07**

(52) **U.S. Cl.**
USPC **D14/447**

(58) **Field of Classification Search**
 USPC D14/447, 432, 434, 439, 440, 451, 452,
 D14/457, 239, 253; D8/363, 373, 380;
 D6/406.3, 406.4, 406.5, 406.6; D12/415;
 D13/108
 CPC A47B 21/04; A47B 2097/006; A47B
 2097/005; A47B 2023/049; A45C
 2011/002; A45C 2011/003; F16M
 2200/00; F16M 13/00
 See application file for complete search history.

(56) **References Cited**

U.S. PATENT DOCUMENTS

D589,964 S *	4/2009	Heggland	D14/434
D792,417 S *	7/2017	Xiang	D14/447

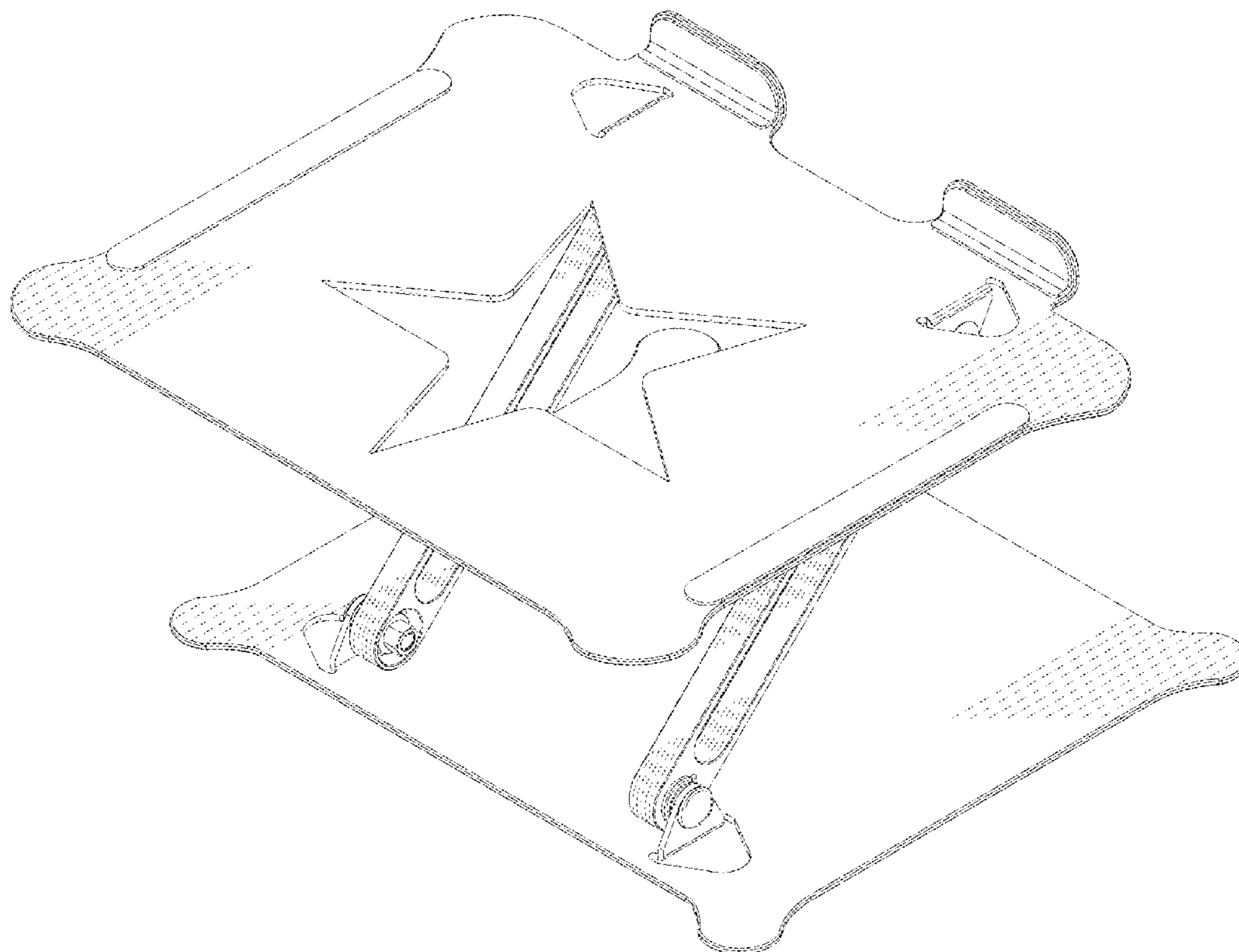
(57) **CLAIM**

The ornamental design for a laptop or tablet stand, as shown and described.

DESCRIPTION

FIG. 1 is a perspective view of a laptop or tablet stand showing my new design;
 FIG. 2 is a front elevational view thereof;
 FIG. 3 is a rear elevational view thereof;
 FIG. 4 is a left side elevational view thereof;
 FIG. 5 is a right side elevational view thereof;
 FIG. 6 is a top plan view thereof; and,
 FIG. 7 is a bottom plan view thereof.
 The broken lines throughout the drawing figures depict portions of the laptop or tablet stand that form no part of the claimed design.

1 Claim, 7 Drawing Sheets



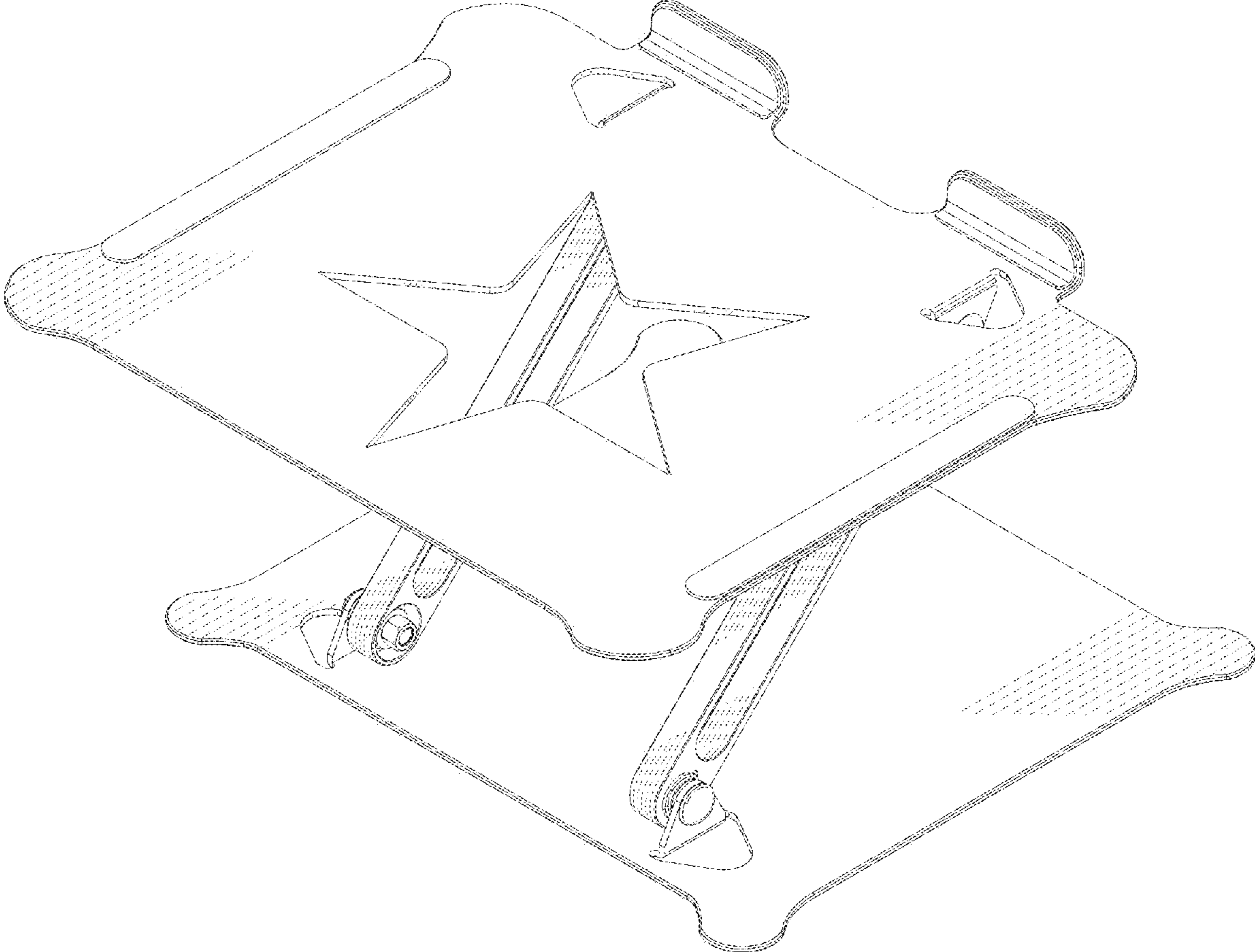


FIG.1

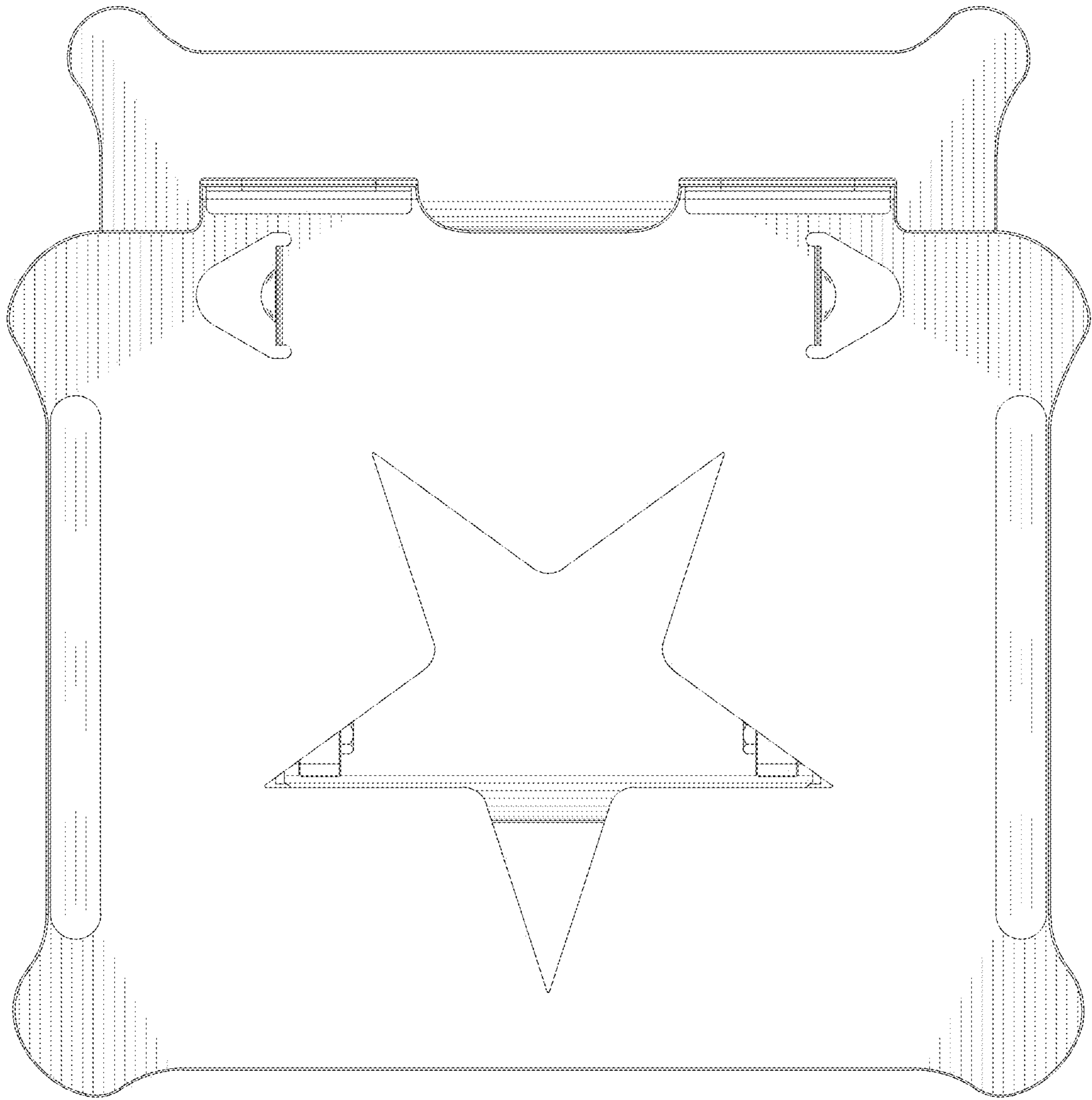


FIG.2

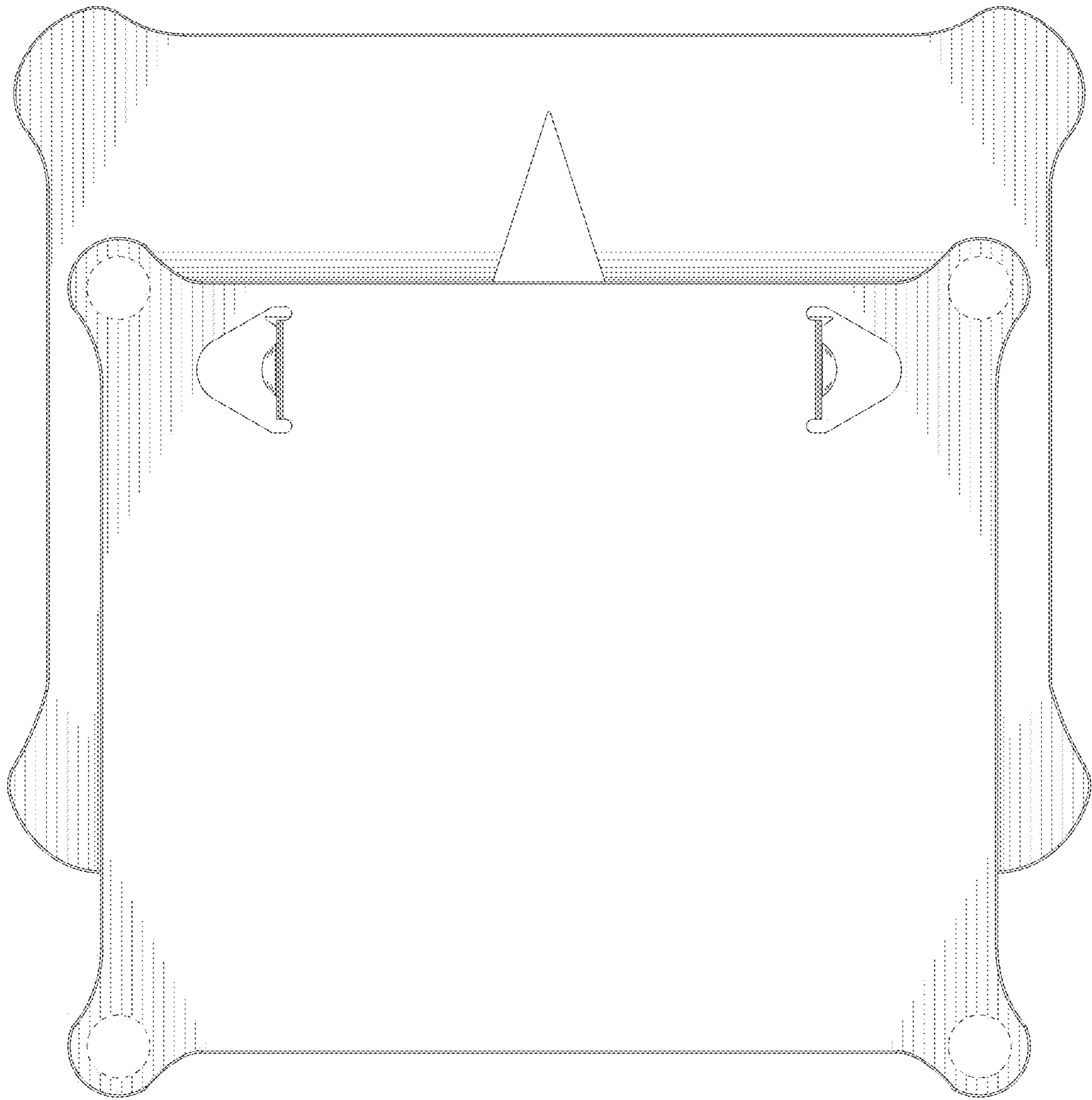


FIG.3

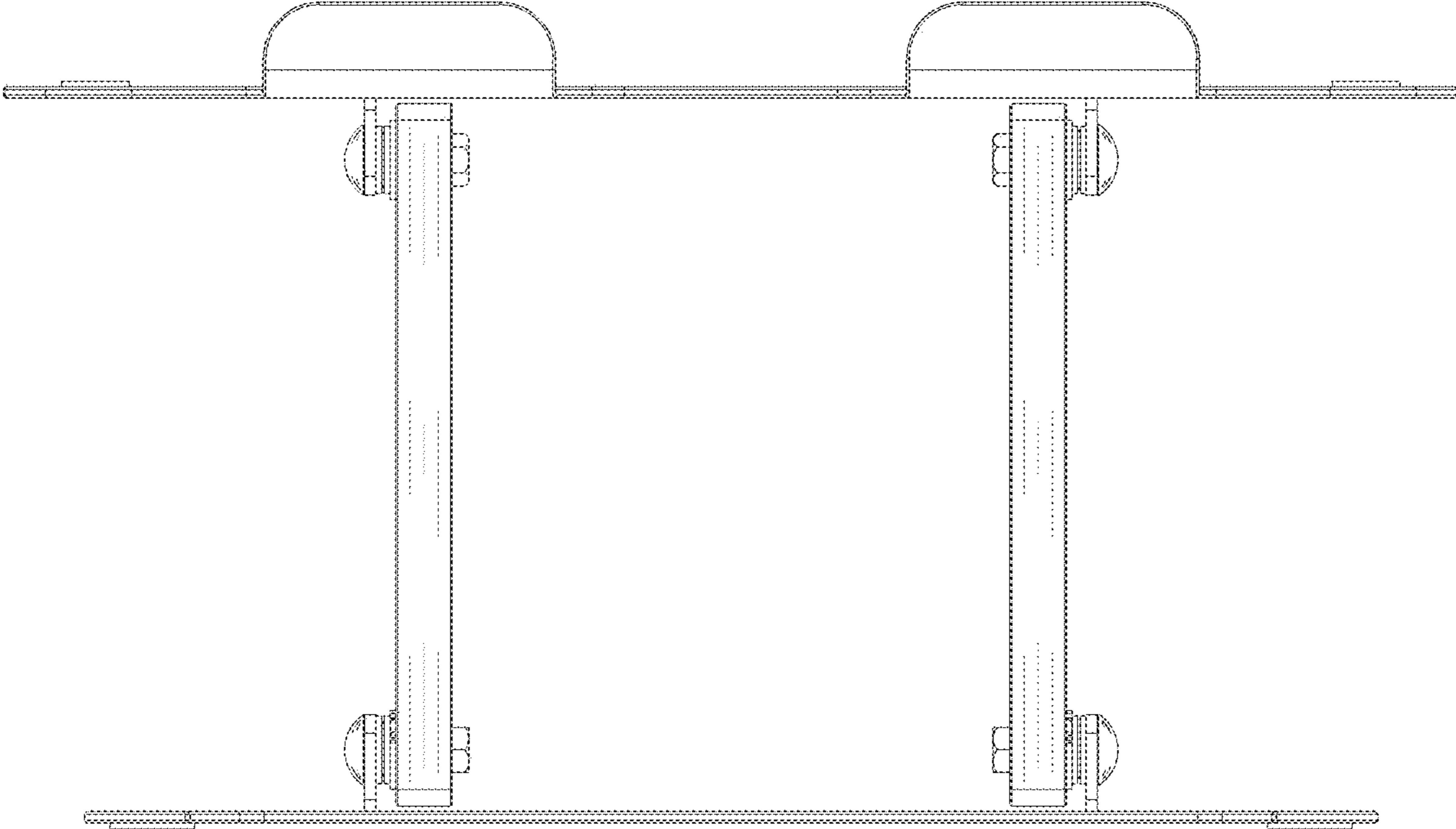


FIG.4

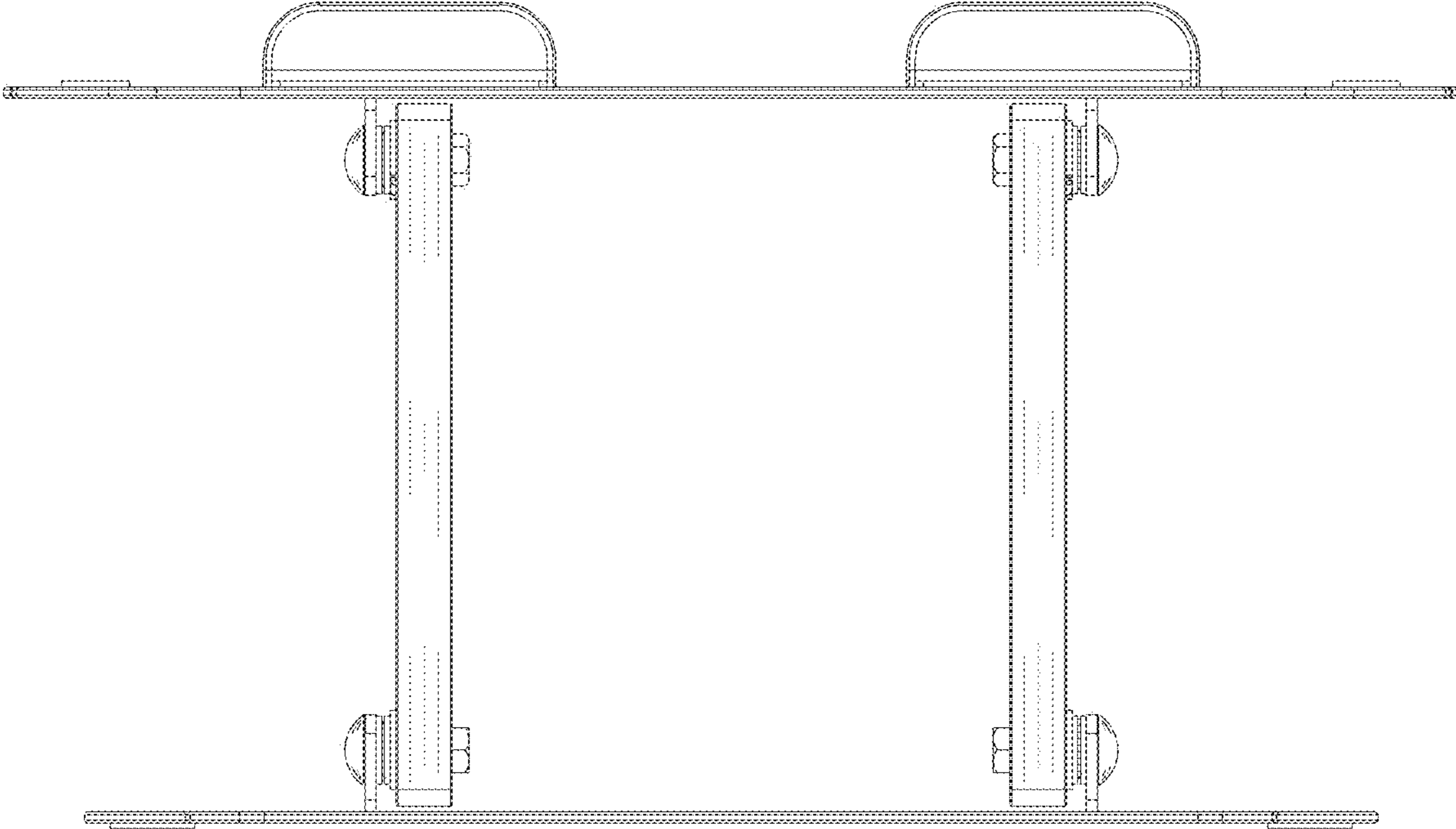


FIG.5

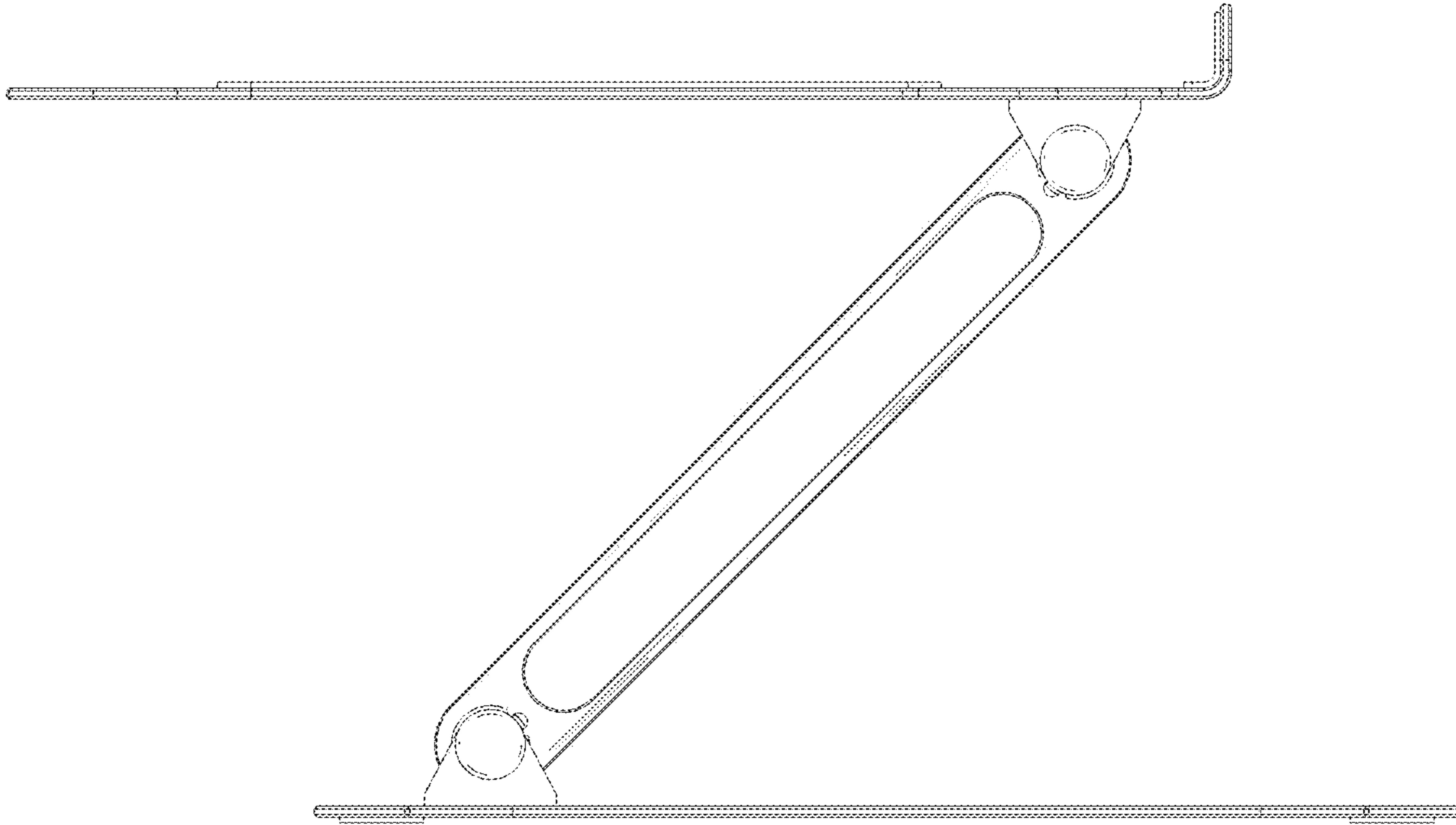


FIG.6

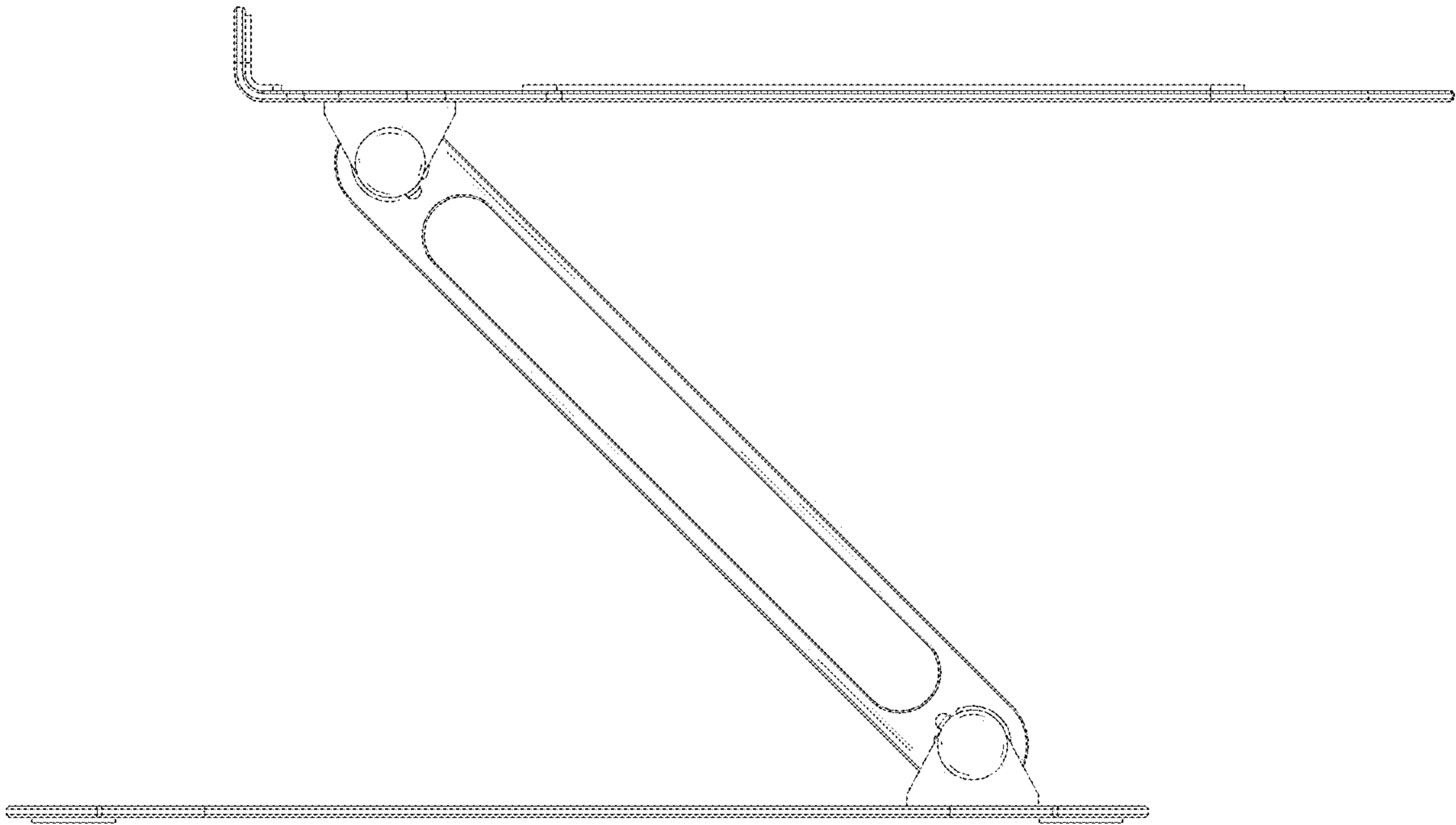


FIG.7