



US00D938432S

(12) **United States Design Patent**
Driscoll

(10) **Patent No.:** **US D938,432 S**

(45) **Date of Patent:** **** Dec. 14, 2021**

(54) **ADAPTABLE DEVICE HOLDER**

(71) Applicant: **John Driscoll**, Brisbane (AU)

(72) Inventor: **John Driscoll**, Brisbane (AU)

(**) Term: **15 Years**

(21) Appl. No.: **29/746,695**

(22) Filed: **Aug. 17, 2020**

(51) **LOC (13) Cl.** **08-07**

(52) **U.S. Cl.**
USPC **D14/447**

(58) **Field of Classification Search**
USPC D14/447, 432, 434, 439, 440, 451, 452,
D14/457, 239, 253; D8/363, 373, 380;
D6/406.3, 406.4, 406.5, 406.6; D12/415;
D13/108
CPC A47B 21/04; A47B 2097/006; A47B
2097/005; A47B 2023/049; A45C
2011/002; A45C 2011/003; F16M
2200/00; F16M 13/00
See application file for complete search history.

D757,019 S * 5/2016 Pitteri D14/447
D783,628 S * 4/2017 Pitteri D14/447
D789,939 S * 6/2017 Blevins H02J 7/00
D14/447
D789,940 S * 6/2017 Hicks D14/447
D827,652 S * 9/2018 Jacques D14/447
D847,822 S * 5/2019 Lye D14/447
D861,701 S * 10/2019 Benoni D14/447

* cited by examiner

Primary Examiner — Angela J Lee

(74) *Attorney, Agent, or Firm* — Standley Law Group
LLP

(57) **CLAIM**

The ornamental design for an adaptable device holder, as shown and described.

DESCRIPTION

FIG. 1 is a top right perspective view of the adaptable device holder;
FIG. 2 is a front elevation view thereof;
FIG. 3 is a right-side elevation view thereof;
FIG. 4 is a left-side elevation view thereof;
FIG. 5 is a rear elevation view thereof;
FIG. 6 is a top plan view thereof; and,
FIG. 7 is a bottom plan view thereof.

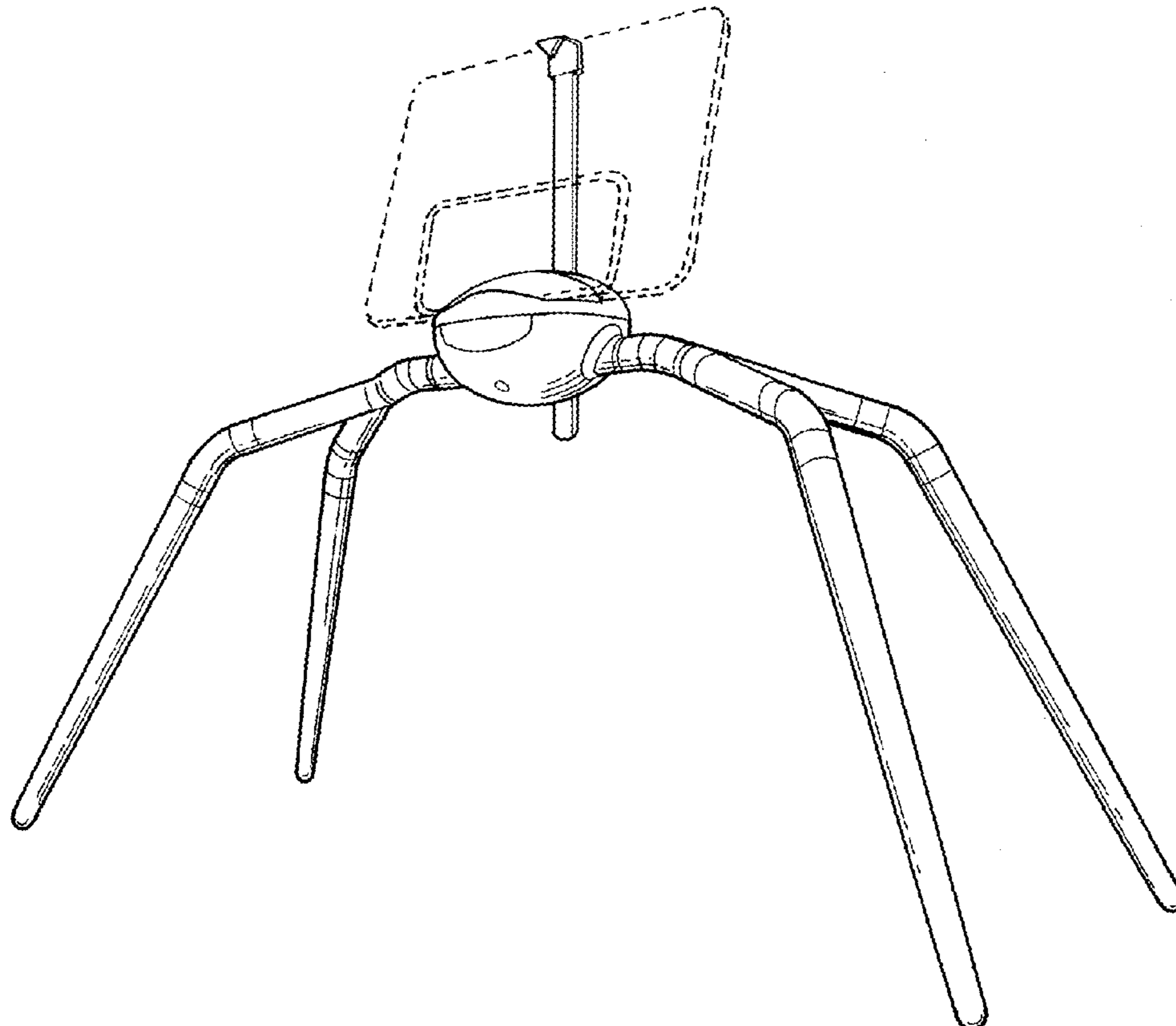
The broken lines show the device that is being held, for the purpose of illustrating environmental structure, and form no part of the claimed design.

(56) **References Cited**

U.S. PATENT DOCUMENTS

D390,209 S * 2/1998 Dials D14/451
D620,012 S * 7/2010 Chen D14/451
D701,212 S * 3/2014 Blevins D14/447

1 Claim, 4 Drawing Sheets



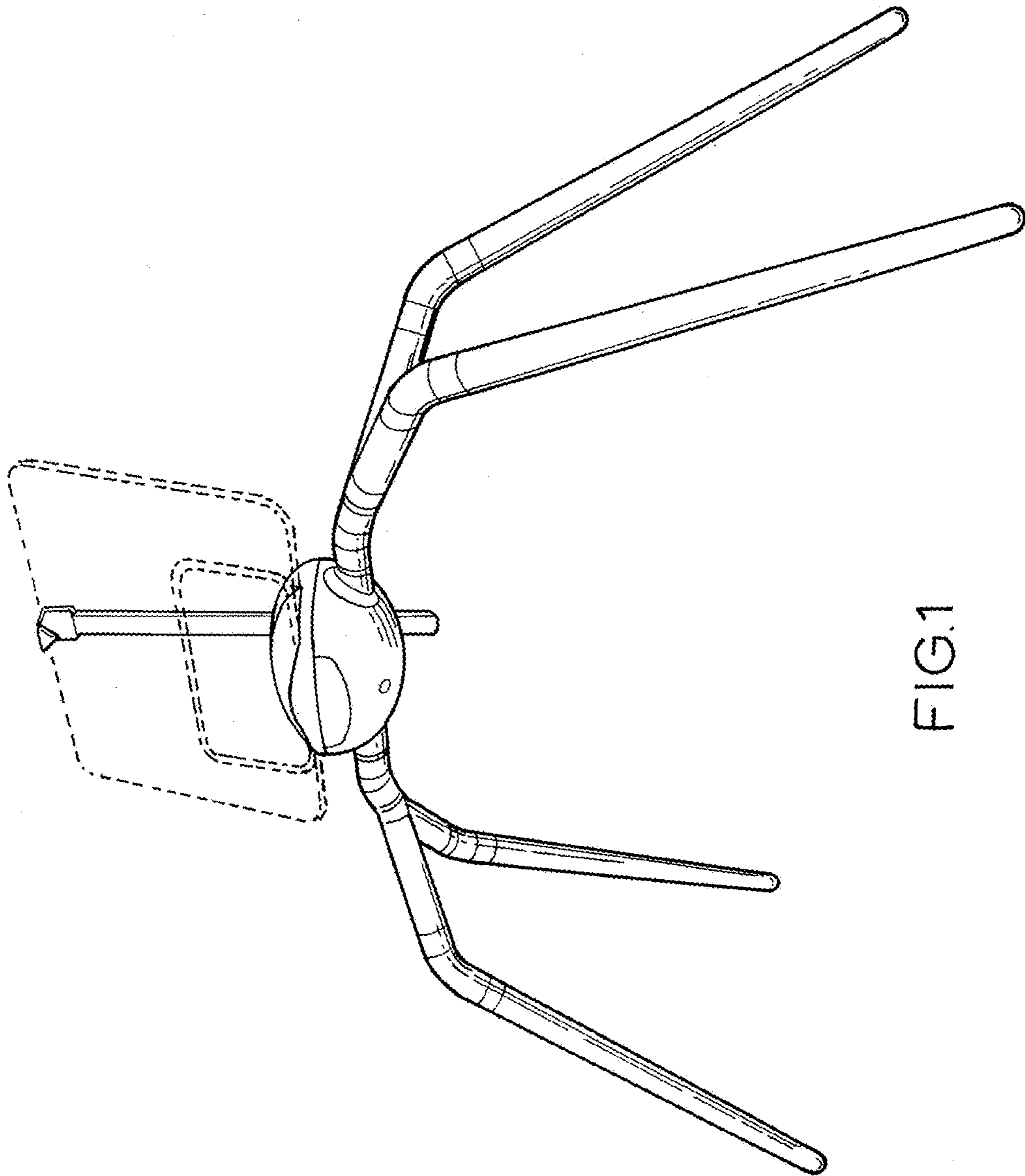


FIG.1

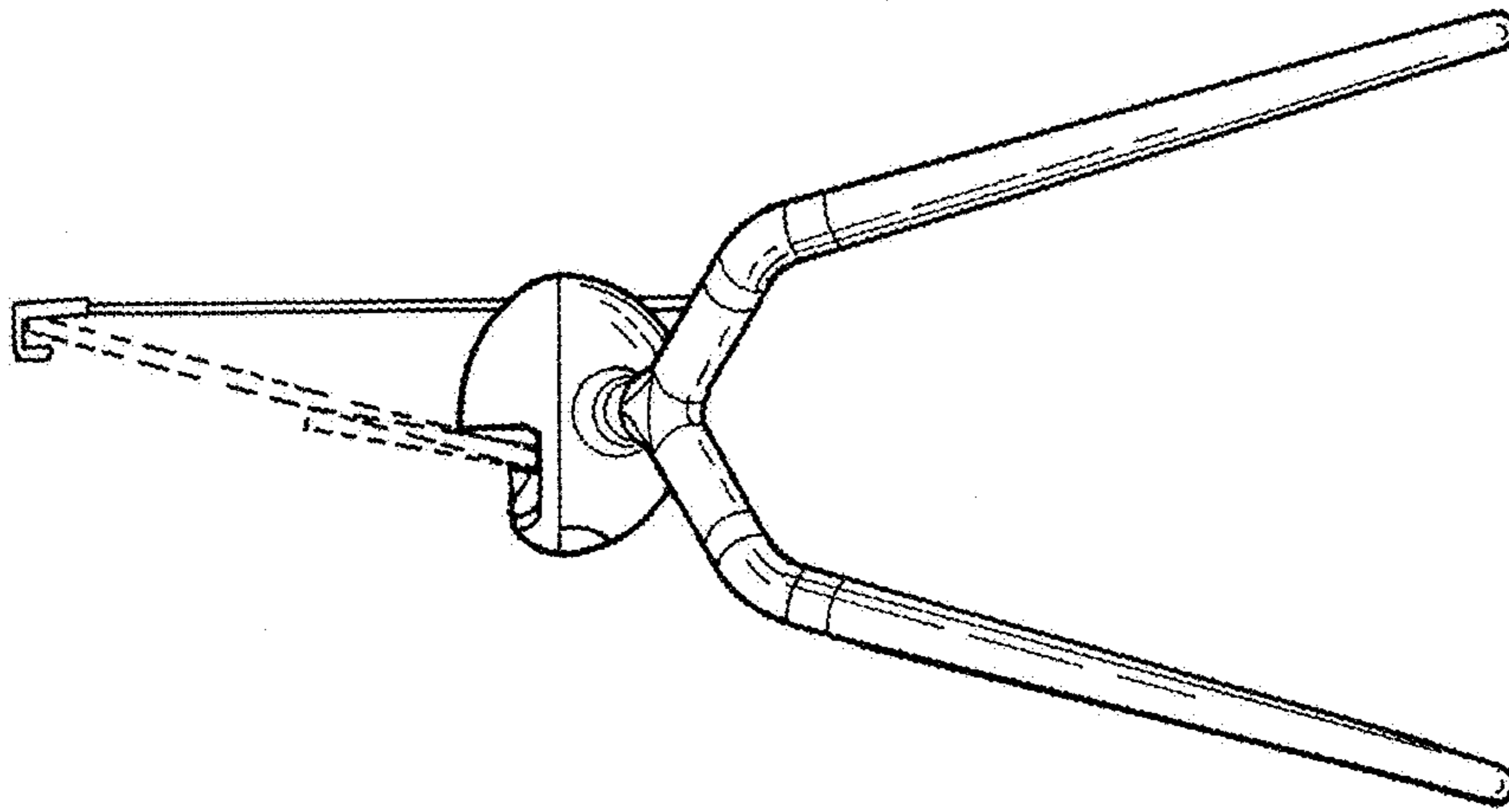


FIG.3

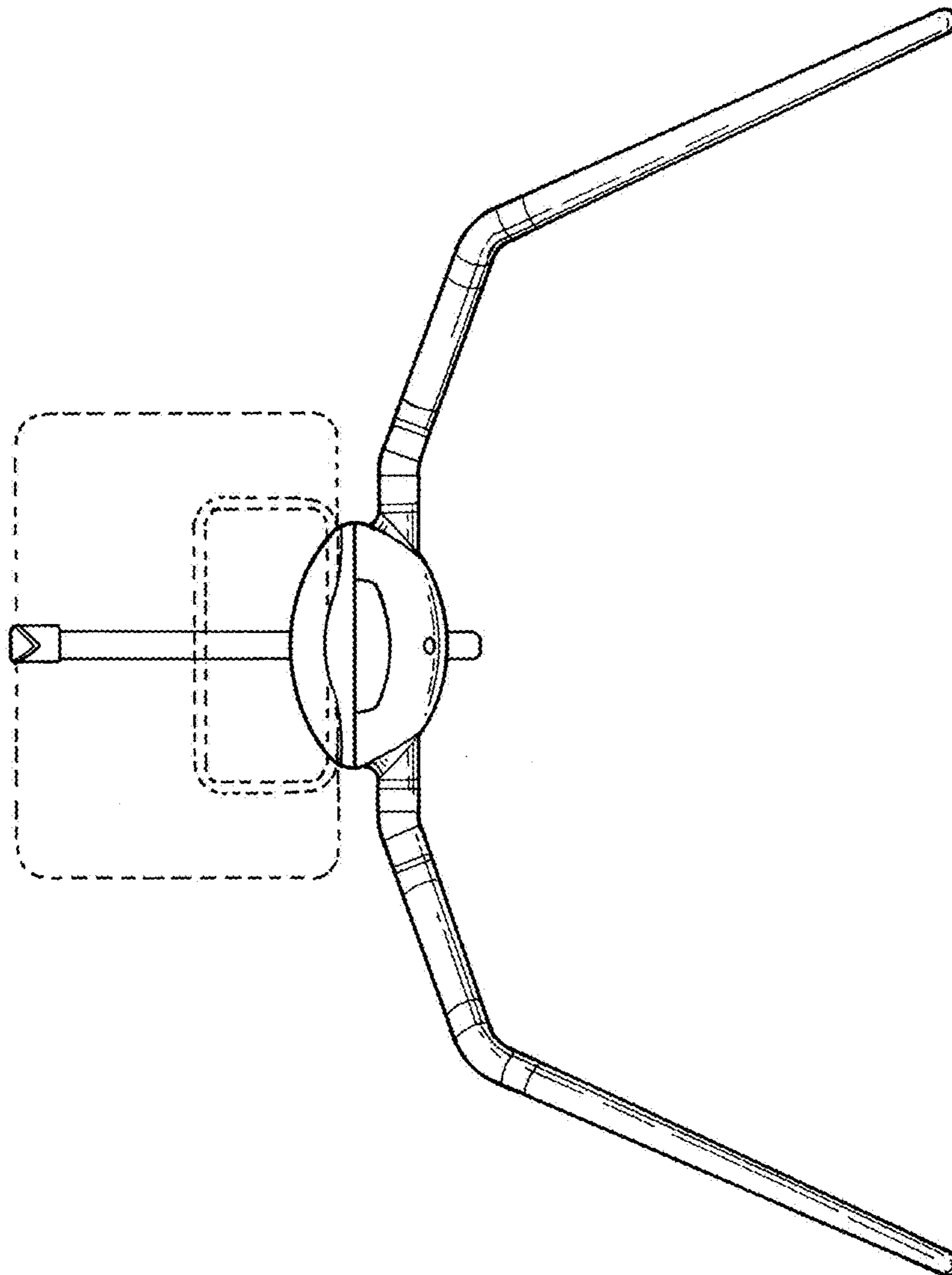


FIG.2

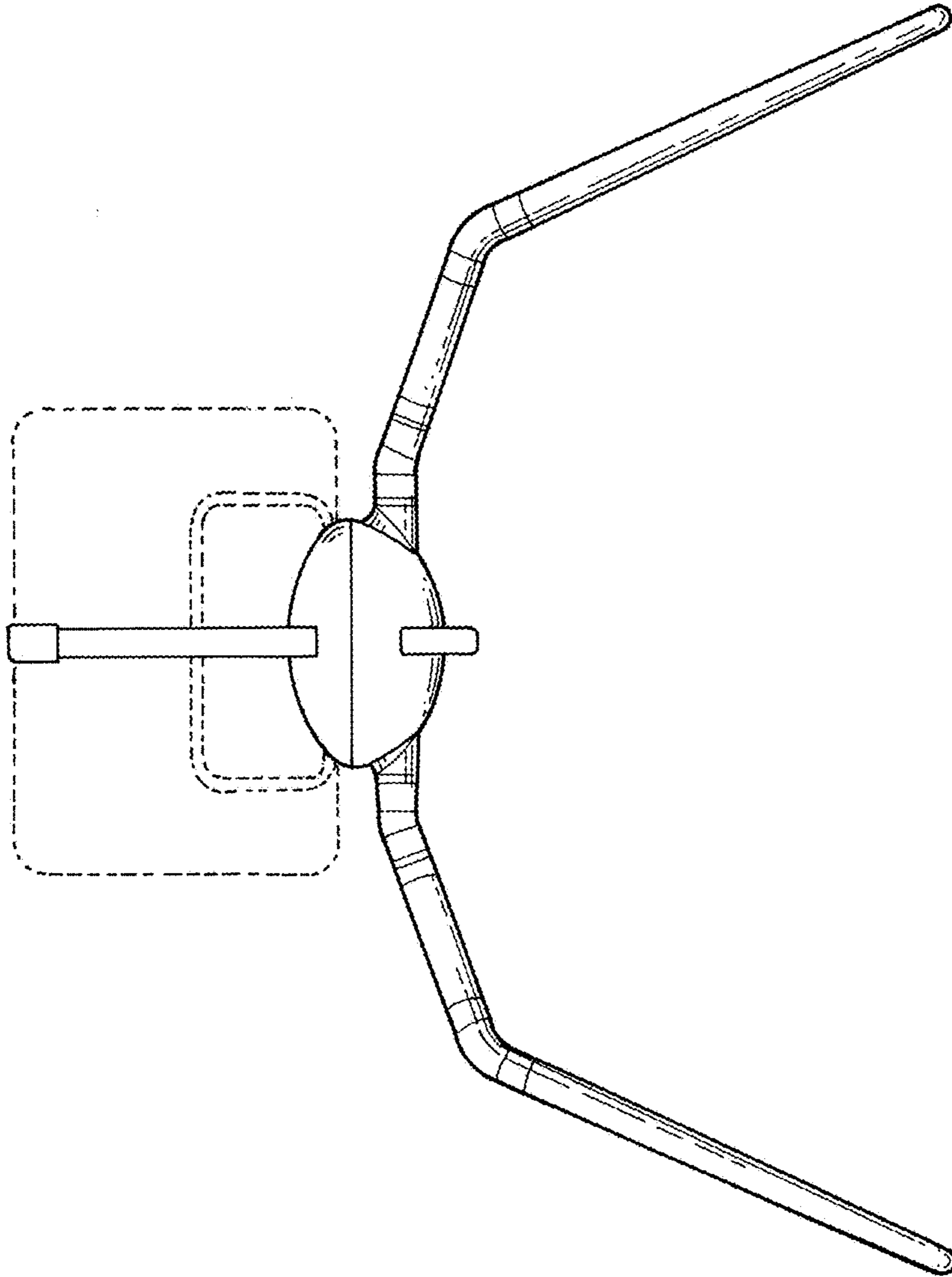


FIG. 5

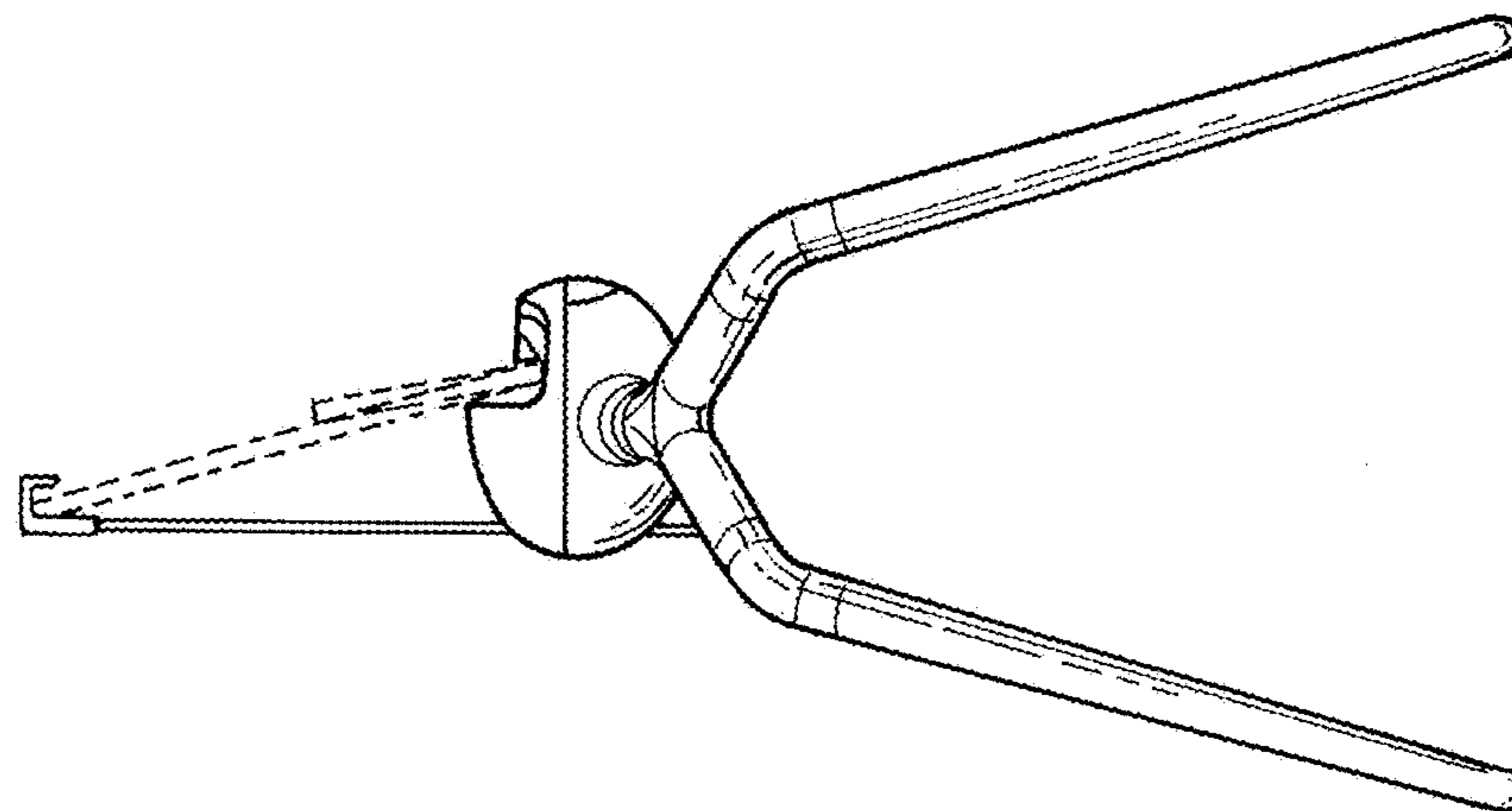


FIG. 4

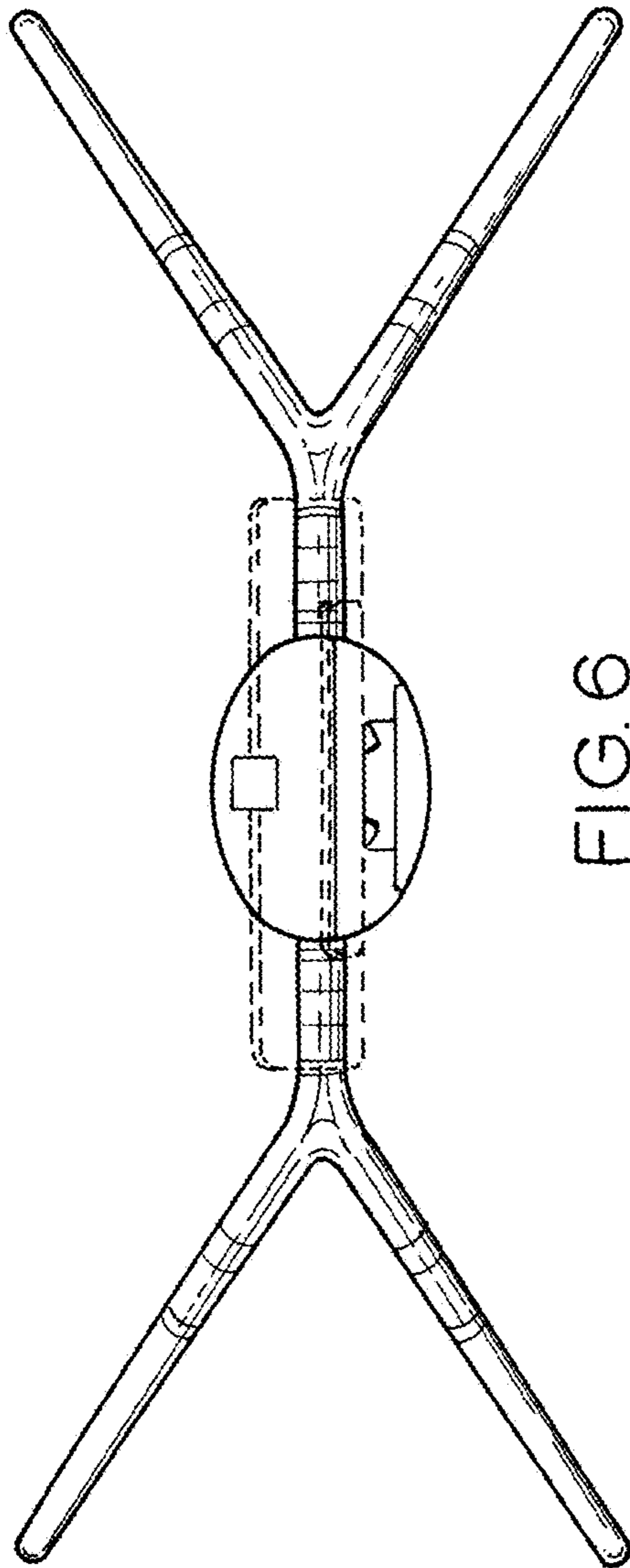


FIG. 6

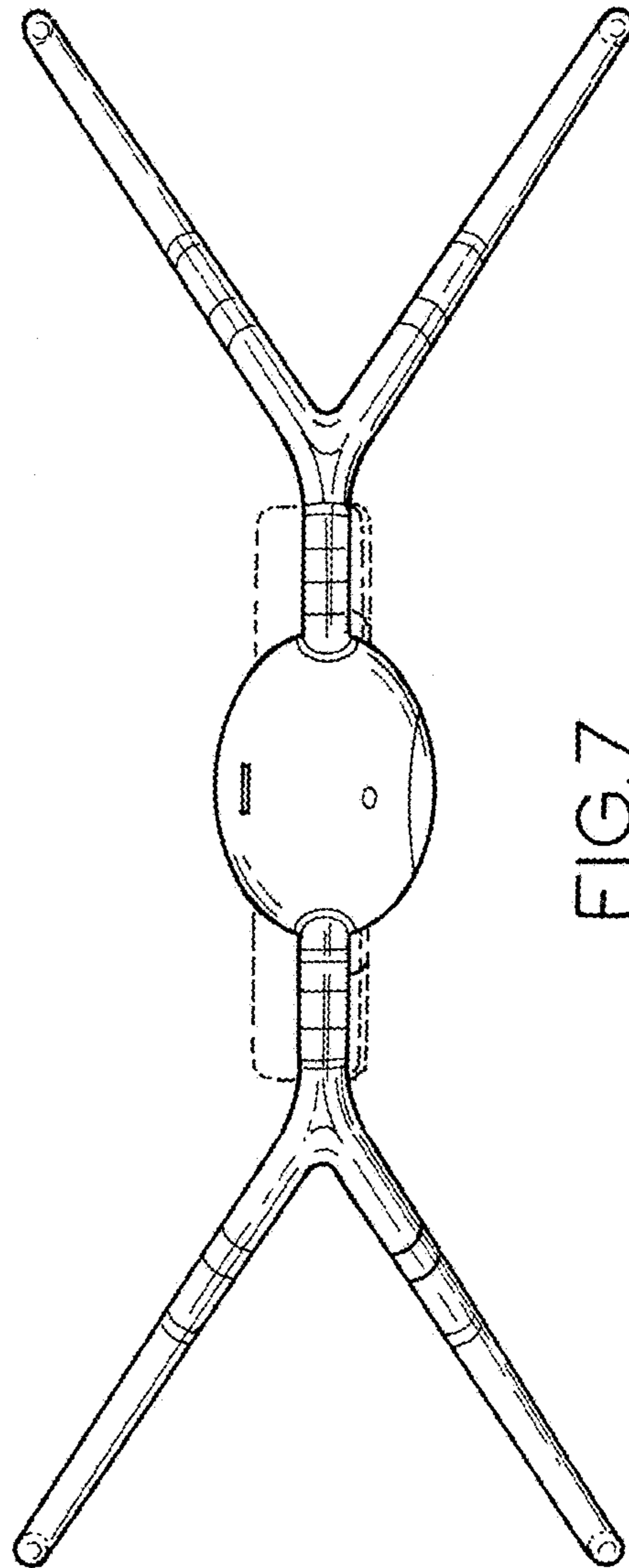


FIG. 7