



US00D938431S

(12) **United States Design Patent** (10) **Patent No.:** **US D938,431 S**  
**Han et al.** (45) **Date of Patent:** **\*\* Dec. 14, 2021**

(54) **ELECTRONIC DEVICE**  
(71) Applicant: **Amazon Technologies, Inc.**, Seattle, WA (US)  
(72) Inventors: **Sun Joo Han**, San Francisco, CA (US); **Giles David Matthew McWilliam**, San Francisco, CA (US); **Christopher Green**, San Francisco, CA (US)

5,717,566 A 2/1998 Tao  
6,955,293 B1 10/2005 Katsanevas  
D514,565 S 2/2006 Haygood  
D538,765 S \* 3/2007 Park ..... D14/128  
D551,193 S \* 9/2007 Ooshima ..... D14/128  
D558,700 S \* 1/2008 Onoda ..... D14/128  
D558,701 S \* 1/2008 Onoda ..... D14/128  
D612,503 S \* 3/2010 Johnston ..... D24/186  
D615,527 S \* 5/2010 Hwang ..... D14/203.8  
(Continued)

(73) Assignee: **Amazon Technologies, Inc.**, Seattle, WA (US)  
(\*\*) Term: **15 Years**  
(21) Appl. No.: **29/787,958**  
(22) Filed: **Jun. 9, 2021**

**OTHER PUBLICATIONS**

Canadian Office Action dated Jan. 31, 2019 for Canadian Design Application No. 180989, a counterpart foreign application of Design U.S. Appl. No. 29/626,976, 1 page.

(Continued)

*Primary Examiner* — Cynthia R Underwood  
(74) *Attorney, Agent, or Firm* — Lee & Hayes, P.C.

**Related U.S. Application Data**

(62) Division of application No. 29/758,507, filed on Nov. 16, 2020, now Pat. No. Des. 924,878, which is a division of application No. 29/698,386, filed on Jul. 16, 2019, now Pat. No. Des. 907,637, which is a division of application No. 29/626,976, filed on Nov. 21, 2017, now Pat. No. Des. 862,476.

(57) **CLAIM**

The ornamental design for an electronic device, as shown and described.

(51) **LOC (13) Cl.** ..... **14-02**  
(52) **U.S. Cl.**  
USPC ..... **D14/440**; D14/314  
(58) **Field of Classification Search**  
USPC ..... D14/440, 447, 250, 341, 314, 336;  
206/45.23, 320, 45.2; 361/679.55;  
294/25; 224/218; 455/575.8  
CPC ... G06F 1/1628; G06F 1/1626; A47B 23/044;  
H04B 1/3888; A45C 11/00  
See application file for complete search history.

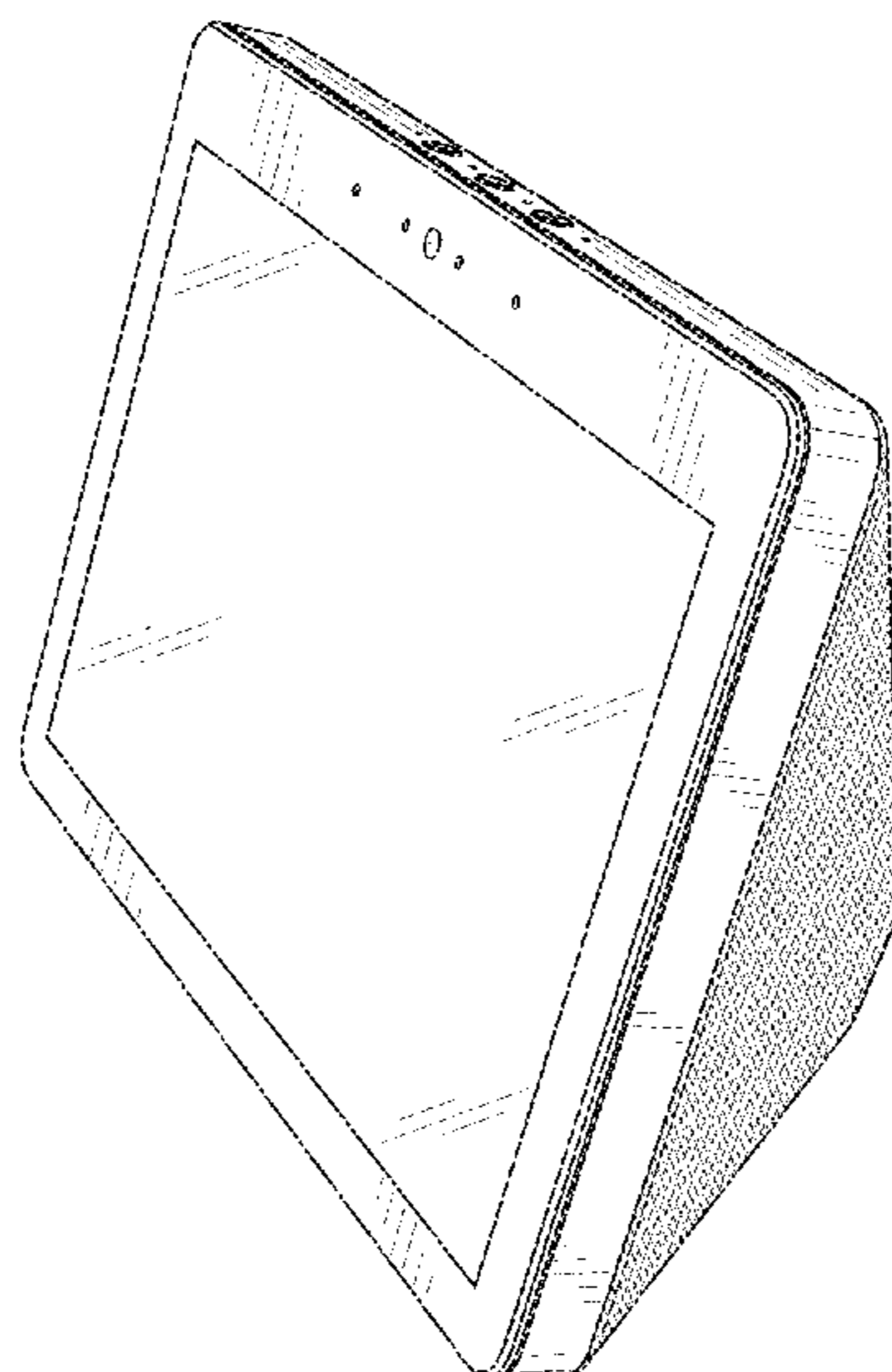
**DESCRIPTION**

FIG. 1 is a top, front perspective view of an electronic device. The crosshatched pattern represents a fabric (e.g., a woven fabric), and is understood to be distributed uniformly over the surface of the claimed design upon which the pattern occurs;  
FIG. 2 is a bottom, back perspective view thereof;  
FIG. 3 is a front view thereof;  
FIG. 4 is a back view thereof;  
FIG. 5 is a left-side view thereof;  
FIG. 6 is a right-side view thereof;  
FIG. 7 is a top view thereof; and,  
FIG. 8 is a bottom view thereof.  
The dashed broken lines depict portions of the electronic device that form no part of the claimed design.

(56) **References Cited**  
U.S. PATENT DOCUMENTS

D237,754 S 11/1975 Ray, Jr.  
5,508,757 A 4/1996 Chen

**1 Claim, 8 Drawing Sheets**



(56)

References Cited

U.S. PATENT DOCUMENTS

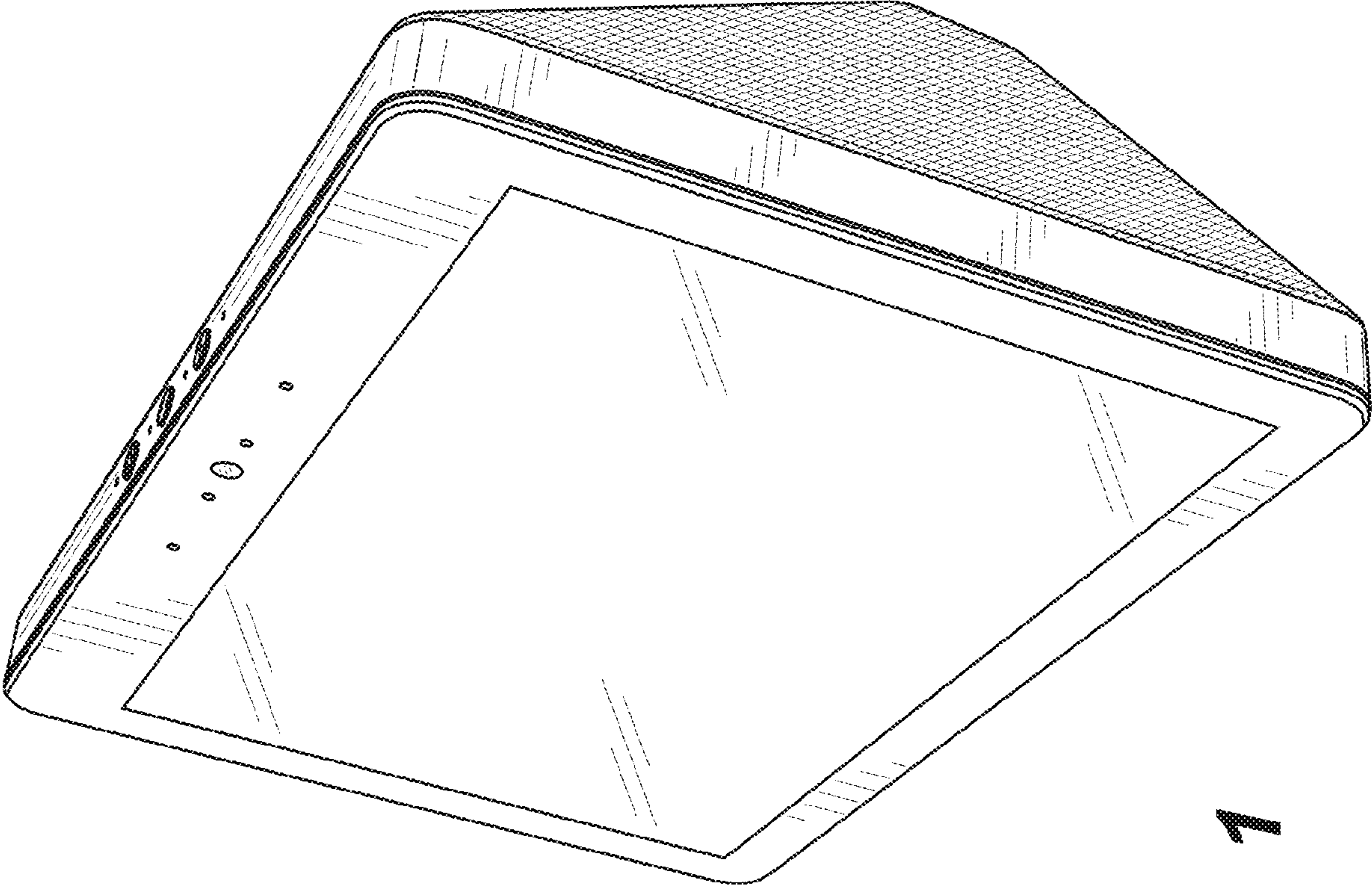
D637,985 S \* 5/2011 Andresen ..... D14/129  
 D646,258 S \* 10/2011 Van Der Flier ..... D14/142  
 D694,229 S \* 11/2013 Wolf ..... D14/314  
 D694,245 S 11/2013 Sanz  
 D694,653 S 12/2013 Hsu  
 D697,910 S 1/2014 Bianco et al.  
 D703,311 S 4/2014 Daly  
 D707,229 S 6/2014 Almodova  
 D717,304 S 11/2014 Yturralde et al.  
 D735,199 S 7/2015 Song  
 D736,777 S 8/2015 Rayner  
 D739,365 S 9/2015 Garcia  
 D752,044 S 3/2016 Akana et al.  
 D755,795 S 5/2016 Kulovany  
 D764,477 S 8/2016 Su et al.  
 D768,122 S 10/2016 Buffone  
 D778,279 S 2/2017 Pendse et al.  
 D784,331 S 4/2017 Balch et al.  
 D789,362 S 6/2017 Eljas  
 D790,551 S 6/2017 Hoejlund-Hansen  
 D806,066 S 12/2017 McWilliam et al.  
 D835,614 S 12/2018 Kahn et al.  
 D840,391 S 2/2019 Son et al.  
 D841,644 S 2/2019 McWilliam et al.  
 10,310,559 B2 6/2019 Holmes  
 D864,952 S 10/2019 Tsukamoto et al.  
 D868,869 S 12/2019 Hodge  
 D873,265 S 1/2020 Wall et al.  
 D873,815 S \* 1/2020 McWilliam ..... D14/314

D878,377 S 3/2020 Tur  
 D879,772 S 3/2020 Wall et al.  
 D885,582 S 5/2020 Nishiyama et al.  
 D886,189 S 6/2020 Koh  
 D888,678 S 6/2020 Ryu et al.  
 D888,679 S 6/2020 Kim et al.  
 D888,680 S 6/2020 Kim et al.  
 D888,681 S 6/2020 Kim et al.  
 D890,161 S 7/2020 Sreenivas et al.  
 D893,479 S 8/2020 Ryu et al.  
 D897,977 S 10/2020 Saito et al.  
 D902,879 S 11/2020 Balch et al.  
 D905,027 S 12/2020 Chang et al.  
 D905,110 S 12/2020 Zhang et al.  
 2006/0087805 A1 4/2006 Massih  
 2013/0258586 A1\* 10/2013 Shao ..... A45C 11/00  
 361/679.55  
 2013/0341233 A1 12/2013 Dow  
 2017/0294935 A1 10/2017 Jacobs et al.  
 2017/0300086 A1 10/2017 Blattel  
 2017/0322590 A1 11/2017 Jacobs et al.

OTHER PUBLICATIONS

Indian Office Action dated Jun. 22, 2018 for Indian Design Application No. 305391, a counterpart foreign application of Design U.S. Appl. No. 29/626,976, 11 pages.  
 Korean Office Action dated Nov. 8, 2018, for Korean Design Application No. 30-2018-20168, a counterpart foreign design application of the Design U.S. Appl. No. 29/626,976.

\* cited by examiner



**FIG. 1**

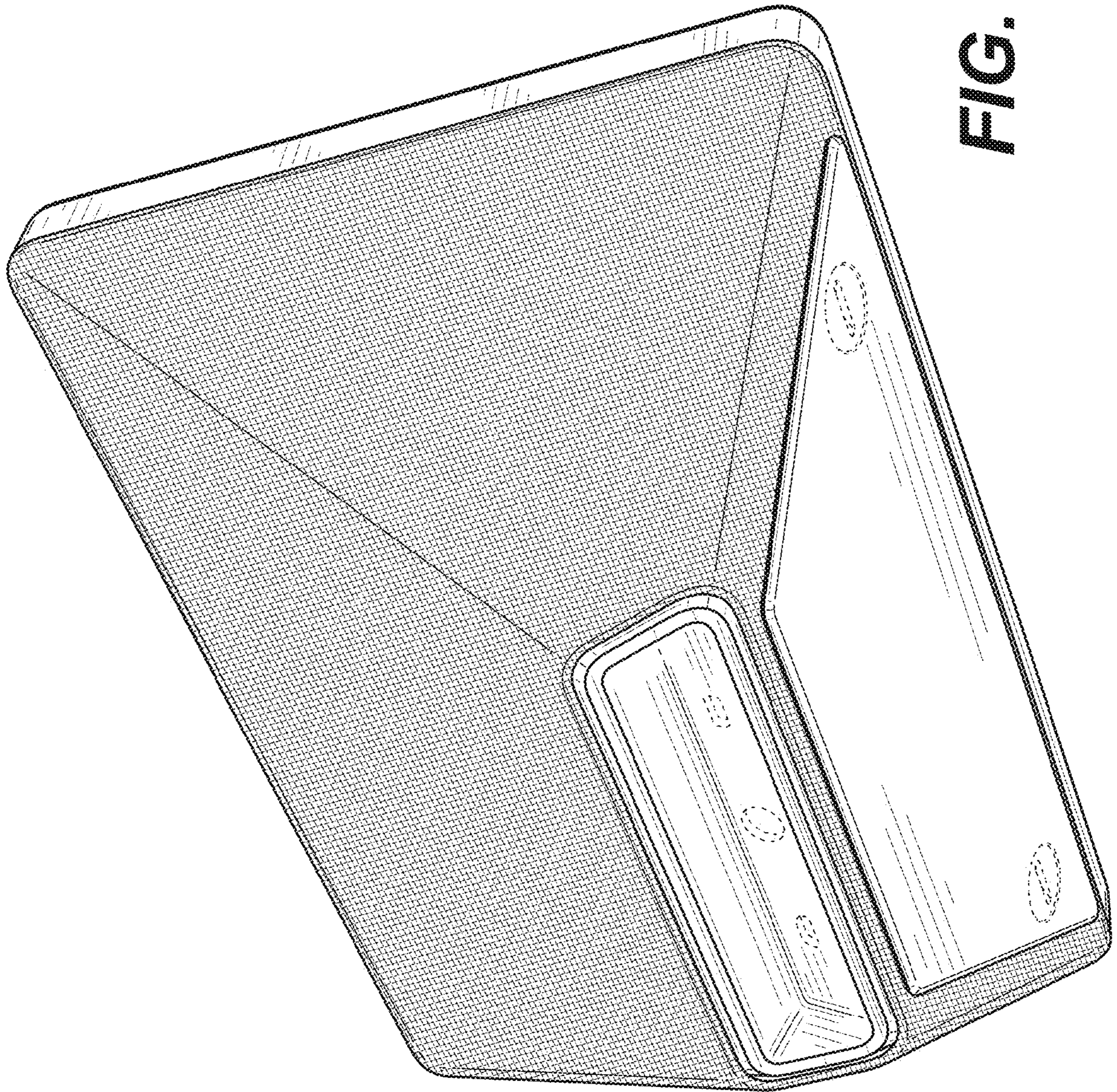
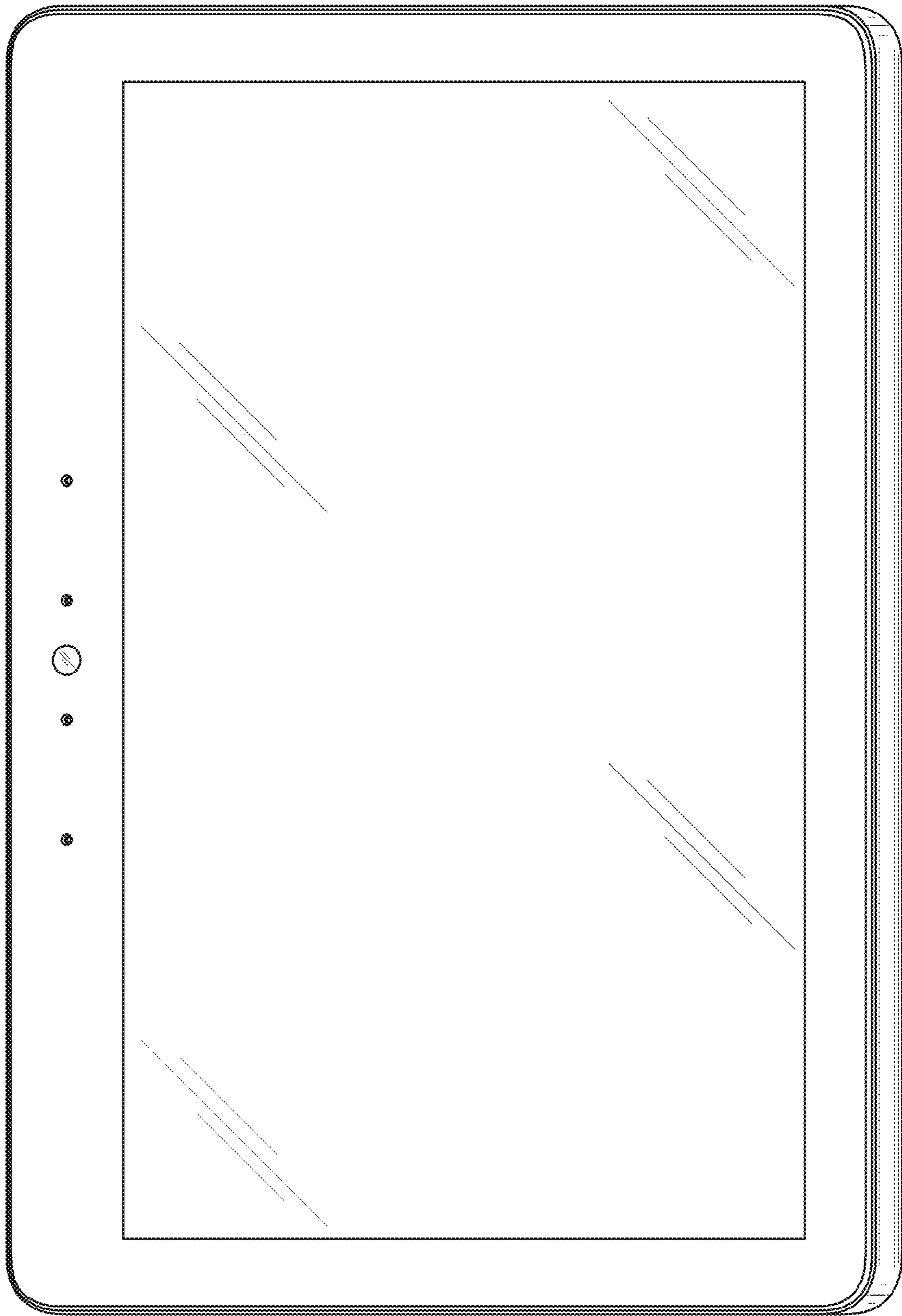
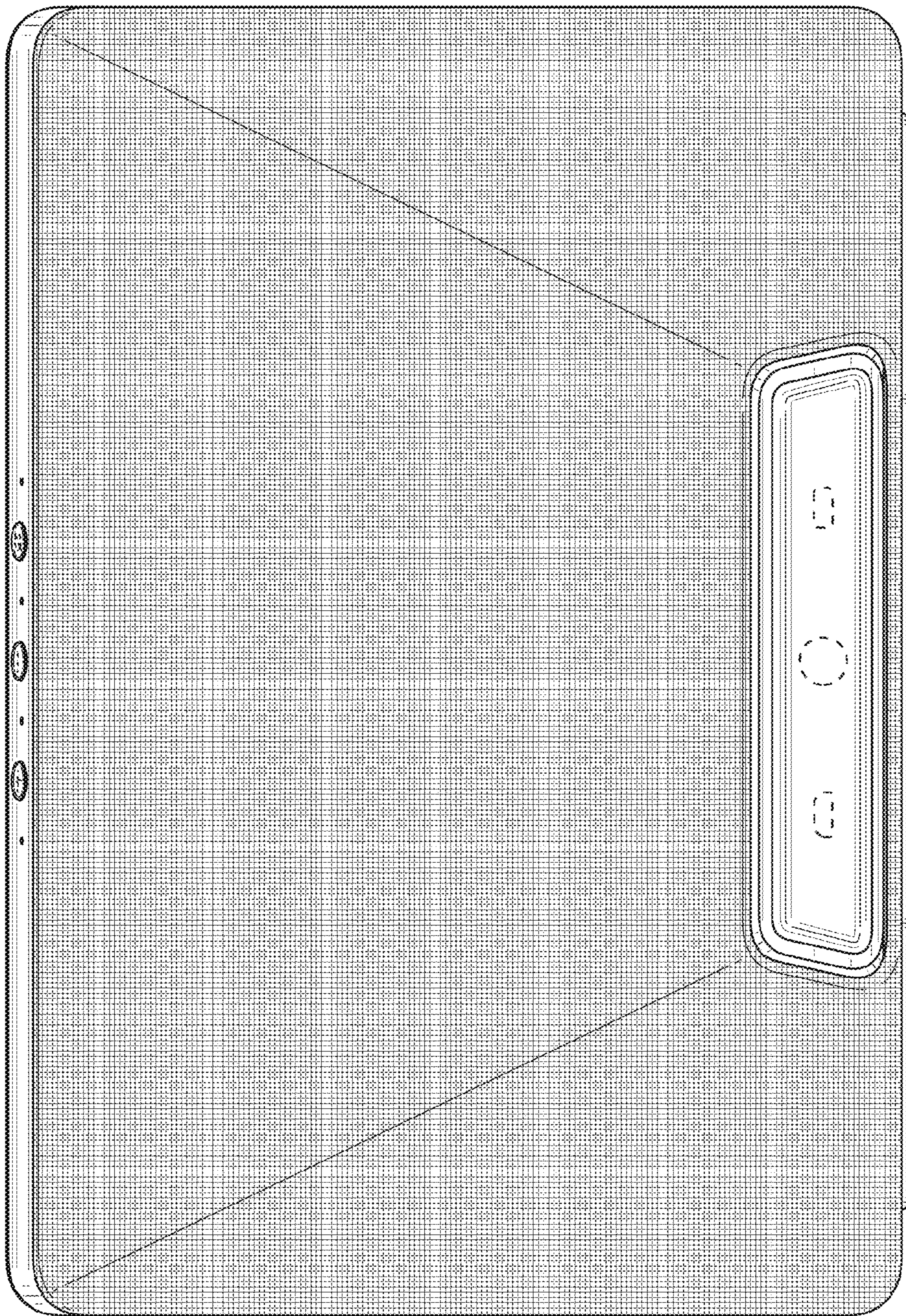


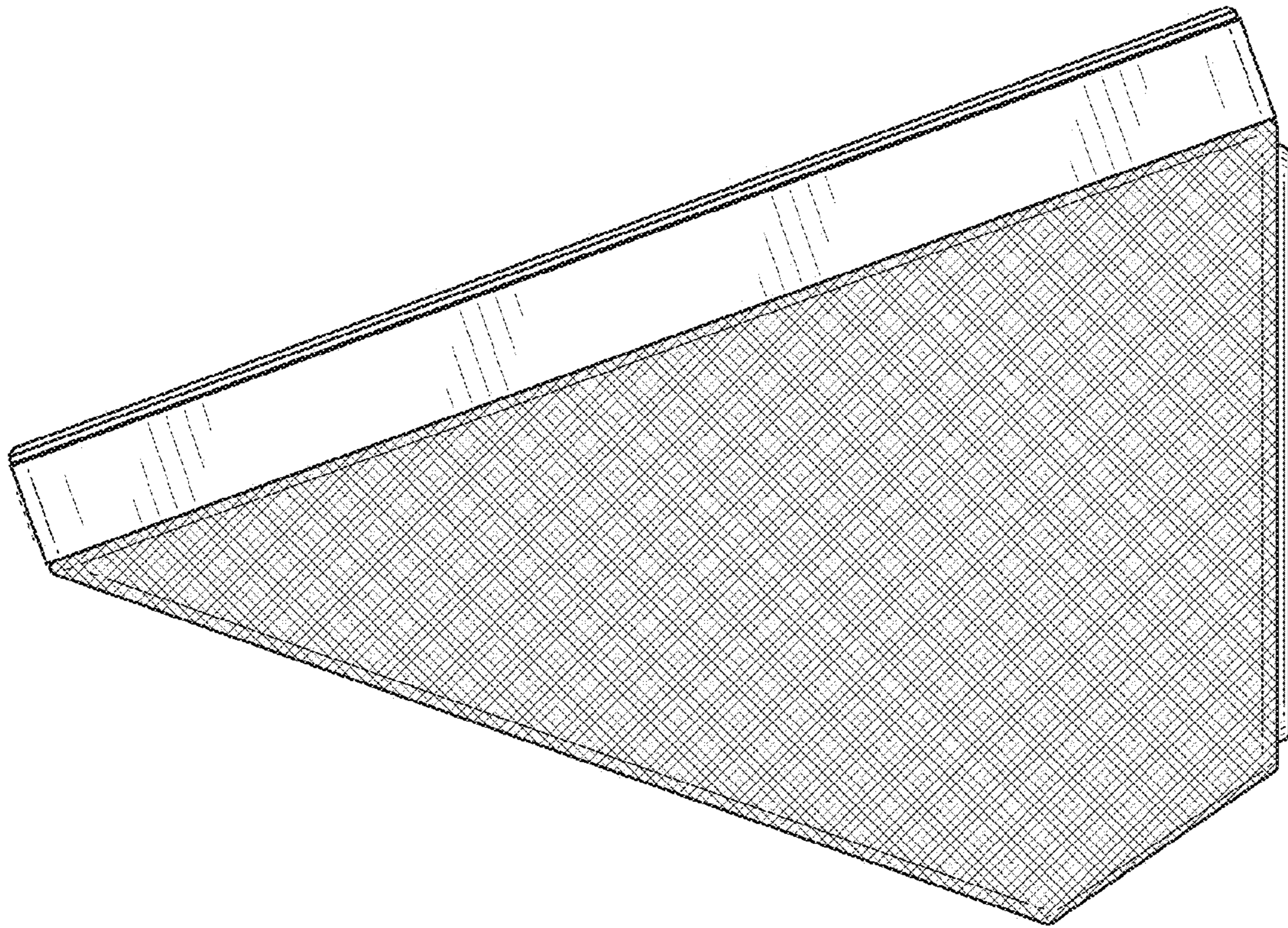
FIG. 2



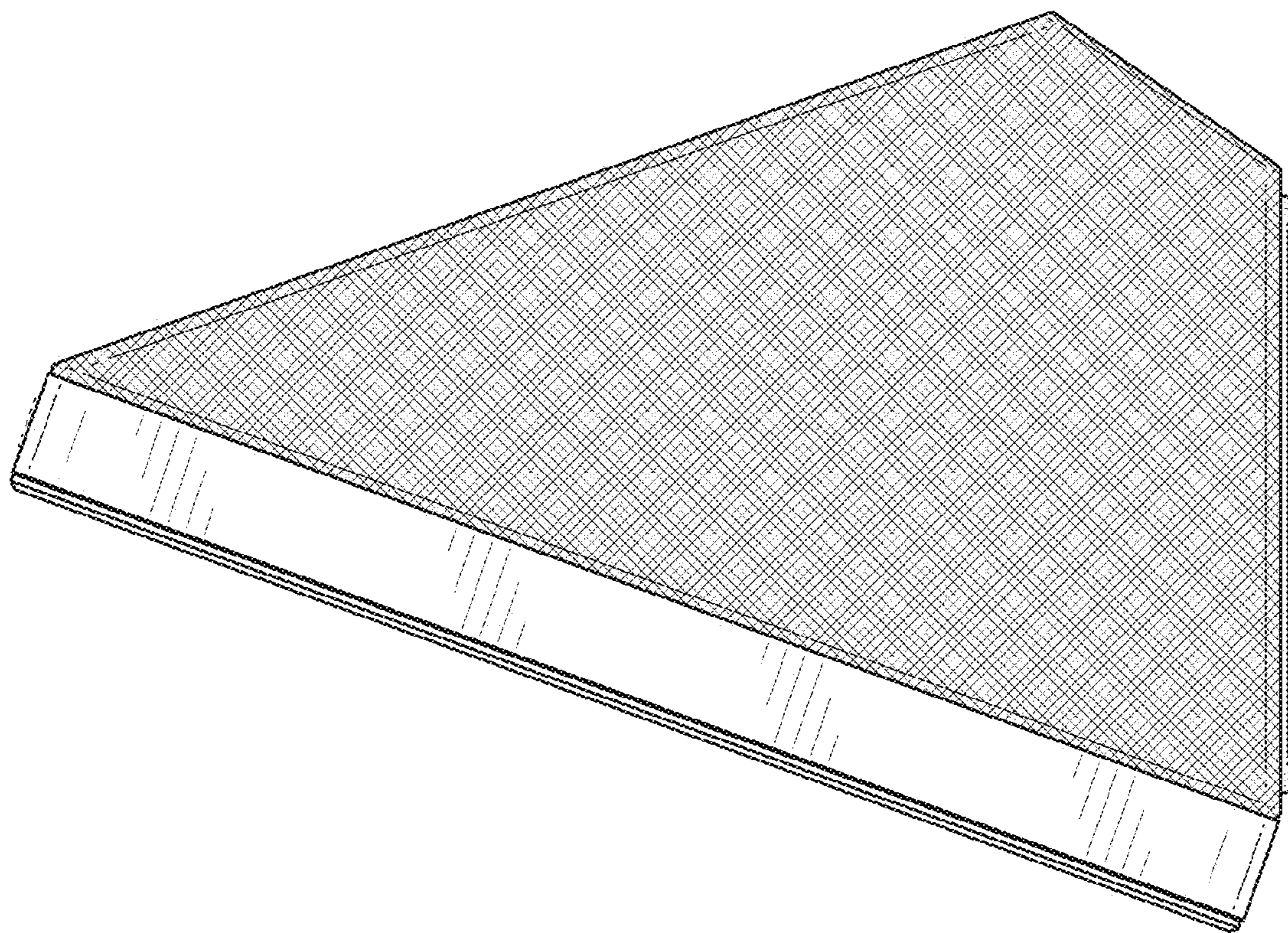
**FIG. 3**



**FIG. 4**

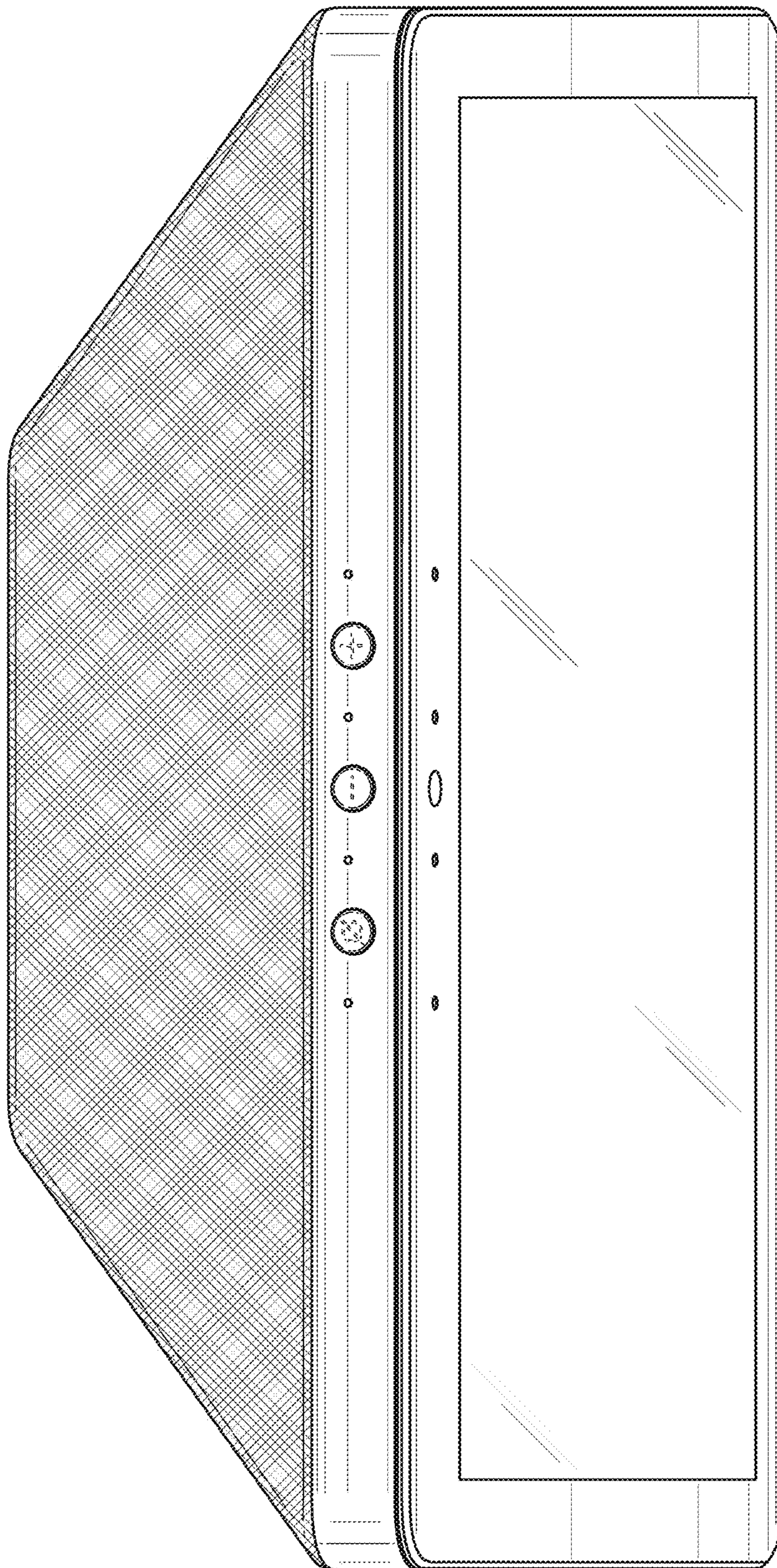


**FIG. 5**

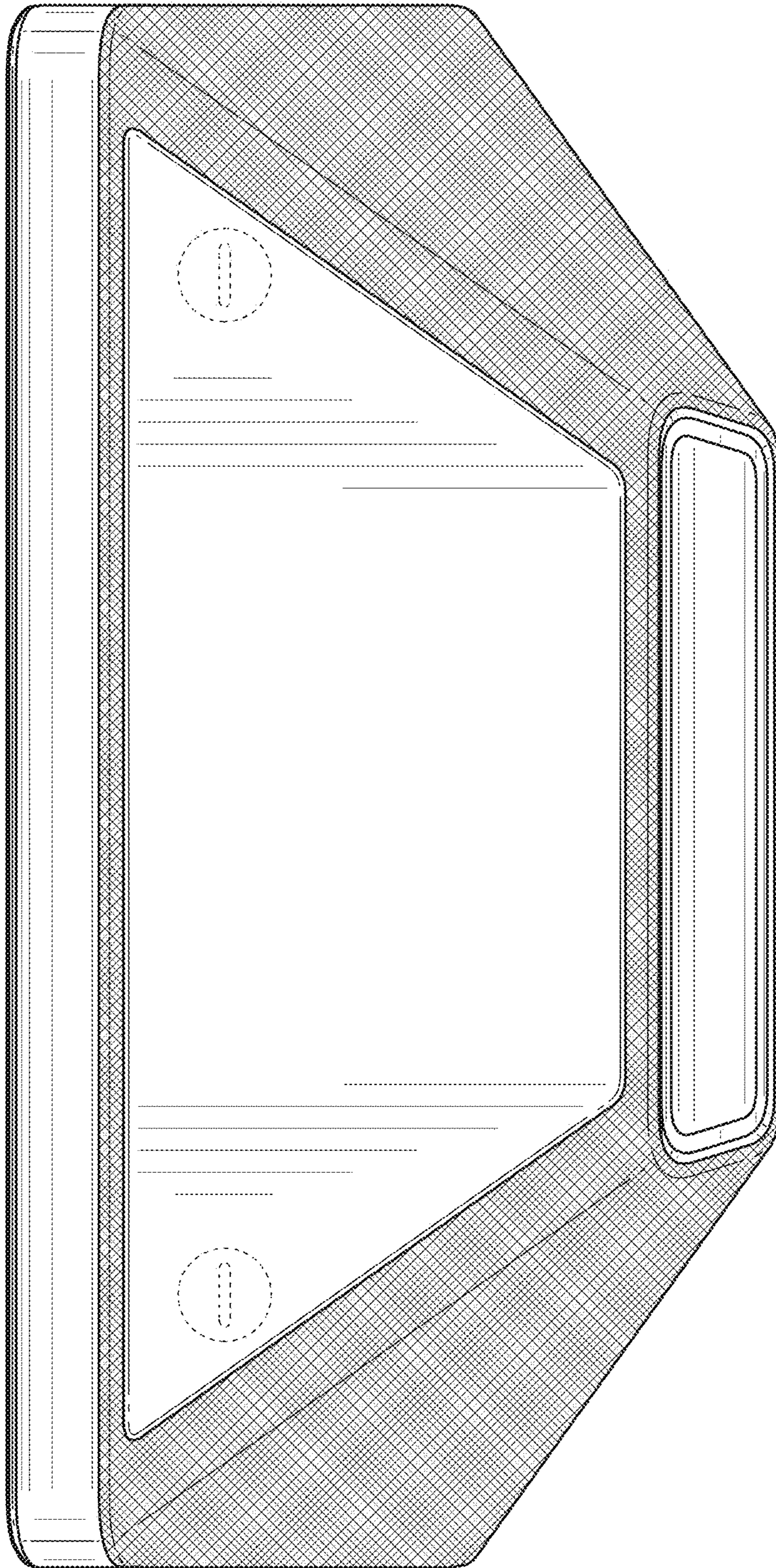


**FIG. 6**





**FIG. 7**



**FIG. 8**