



US00D938427S

(12) **United States Design Patent**  
**Zhang**

(10) **Patent No.:** **US D938,427 S**

(45) **Date of Patent:** **\*\* Dec. 14, 2021**

(54) **USB-C DOCKING STATION WITH STAND**

(71) Applicant: **Dongguan Boyye Industrial Co., Ltd,**  
Guangdong Province (CN)

(72) Inventor: **Xiuxia Zhang,** Dongguan (CN)

(\*\*) Term: **15 Years**

(21) Appl. No.: **29/759,547**

(22) Filed: **Nov. 24, 2020**

(51) **LOC (13) Cl.** ..... **14-02**

(52) **U.S. Cl.**

USPC ..... **D14/434;** D14/447

(58) **Field of Classification Search**

USPC ... D14/434, 433, 435, 435.1, 356, 357, 440,  
D14/447, 251-253, 432, 451, 452, 454,  
D14/217, 299, 496, 171; D13/103, 107,  
D13/108, 184, 110, 123, 133, 135, 137.2,  
D13/139.2, 139.4, 118; D21/333

CPC ..... G06F 1/1632; G06F 13/00; G06F 13/38;  
G06F 13/382; G06F 13/385; G06F  
13/387; G06F 3/065; G06F 9/541; G06F  
2213/3814; G06F 2213/40; G06F  
2213/4004; H01R 31/06; H01R 31/065;  
H01R 27/00; H01R 13/512; H01R 13/62;  
H04R 5/04

See application file for complete search history.

(56) **References Cited**

**U.S. PATENT DOCUMENTS**

D512,066 S \* 11/2005 Solomon ..... D14/434  
D516,562 S \* 3/2006 Solomon ..... D14/434  
7,349,206 B2 \* 3/2008 Lin ..... G06F 1/1632  
361/679.41  
D589,964 S \* 4/2009 Heggland ..... D14/434  
D670,703 S \* 11/2012 Hasbrook ..... D14/447  
D703,676 S \* 4/2014 Smith ..... D14/447  
9,207,711 B2 \* 12/2015 Quijano ..... G06F 1/1601  
D756,367 S \* 5/2016 Kim ..... D14/447  
D762,650 S \* 8/2016 Dang ..... D14/434

D789,348 S \* 6/2017 Kim ..... D14/253  
D791,861 S \* 7/2017 Battle ..... D18/4.5  
D825,573 S \* 8/2018 Belitz ..... D14/447  
D825,575 S \* 8/2018 Gao ..... D14/447  
D829,216 S \* 9/2018 Belitz ..... D14/447  
D829,725 S \* 10/2018 Luo ..... D14/447  
D833,446 S \* 11/2018 Elder ..... D14/447  
D839,869 S \* 2/2019 Wang ..... D14/253  
D842,305 S \* 3/2019 Gao ..... D14/447  
D864,966 S 10/2019 Sang  
D874,452 S \* 2/2020 Chen ..... D14/447  
10,563,812 B2 \* 2/2020 Chen ..... G06F 1/1607  
D880,471 S \* 4/2020 Yoo ..... D14/253

(Continued)

**OTHER PUBLICATIONS**

Docks and charging stands. (Design—© Questel) orbit.com. [online PDF of Foreign references] 19 pgs. Print Dates range Aug. 10, 2018-Sep. 29, 2020. [Retrieved Aug. 2, 2021] <https://www.orbit.com/export/QPTUJ214/pdf2/027efbbe-f916-43f2-ac65-c2a3cfaaf005-231503.pdf>.\*

*Primary Examiner* — Marie D. Fast Horse

(57) **CLAIM**

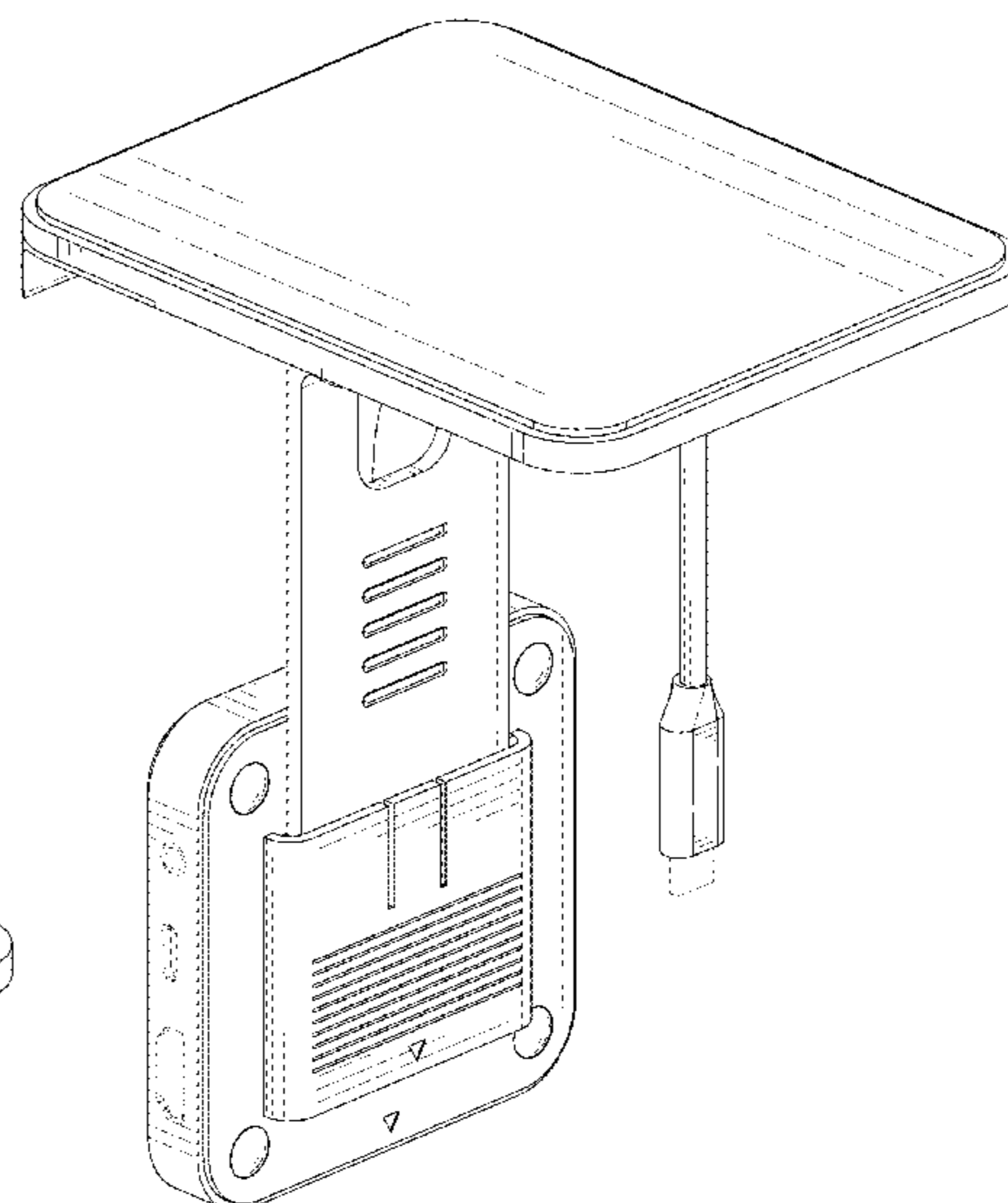
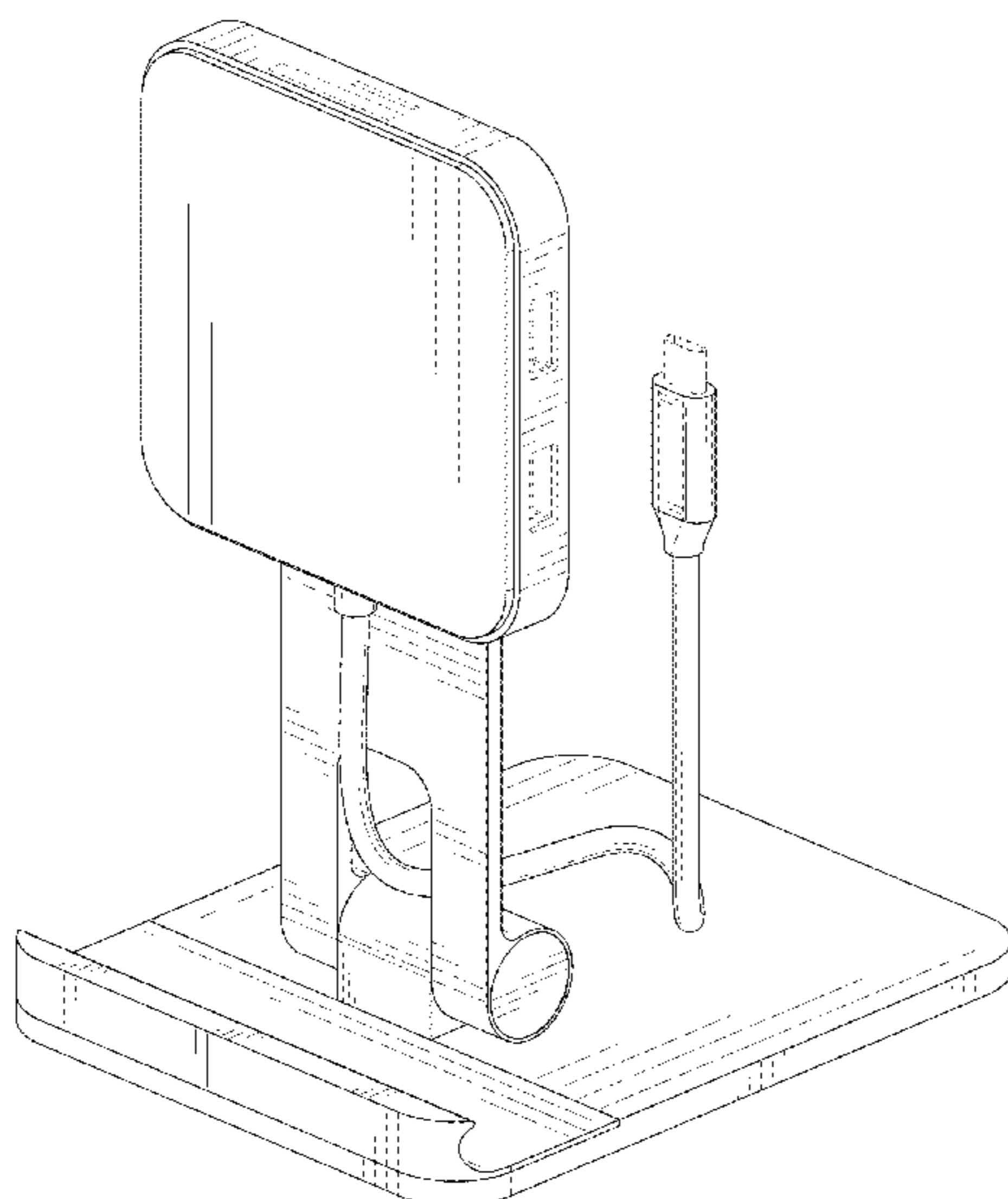
The ornamental design for a USB-C docking station with stand, as shown and described.

**DESCRIPTION**

FIG. 1 is a front and top perspective view of a USB-C docking station with stand, showing my new design; FIG. 2 is a rear and bottom perspective view thereof; FIG. 3 is a front elevational view thereof; FIG. 4 is a rear elevational view thereof; FIG. 5 is a left side elevational view thereof; FIG. 6 is a right side elevational view thereof; FIG. 7 is a top plan view thereof; and, FIG. 8 is a bottom plan view thereof.

The dashed broken lines in the figures illustrate portions of the USB-C docking station with stand that form no part of the claimed design.

**1 Claim, 8 Drawing Sheets**



(56)

**References Cited**

U.S. PATENT DOCUMENTS

D884,711 S *	5/2020	Zhang .....	D14/447
D886,051 S *	6/2020	Chen .....	D13/108
D892,123 S *	8/2020	Campbell .....	D14/434
D898,017 S *	10/2020	Zhang .....	D14/253
D902,217 S *	11/2020	Zhang .....	D14/447
D903,689 S *	12/2020	Zheng .....	D14/447
D904,387 S *	12/2020	Zhang .....	D14/253
D905,686 S *	12/2020	Zhang .....	D14/253
D906,347 S *	12/2020	Yang .....	D14/447
D907,029 S *	1/2021	Khubani .....	D14/253
D907,628 S *	1/2021	Feng .....	D14/253
D907,644 S *	1/2021	Li .....	D14/447
D908,688 S *	1/2021	Zhang .....	D14/253
D912,654 S *	3/2021	Weng .....	D14/253

\* cited by examiner

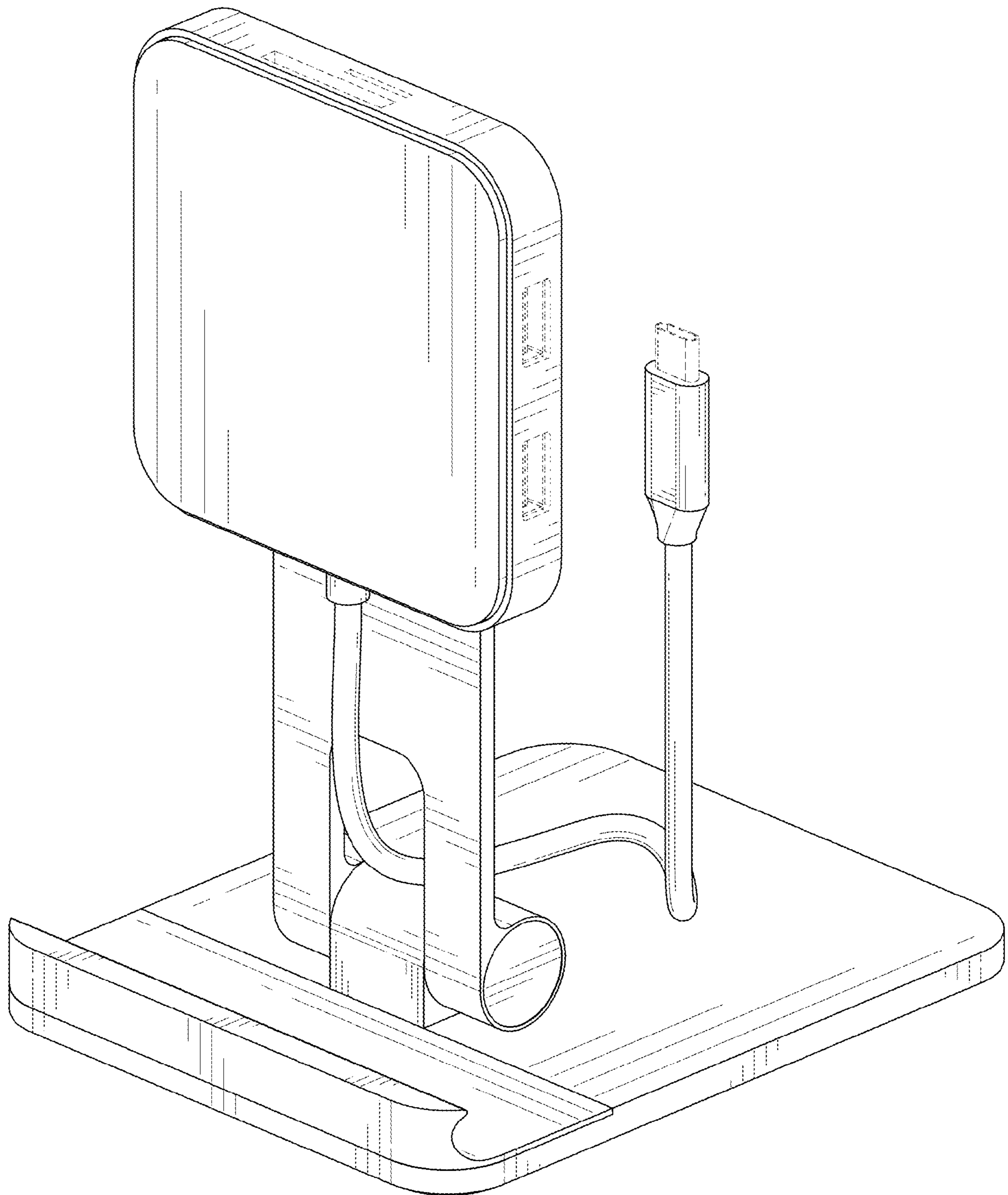


FIG. 1



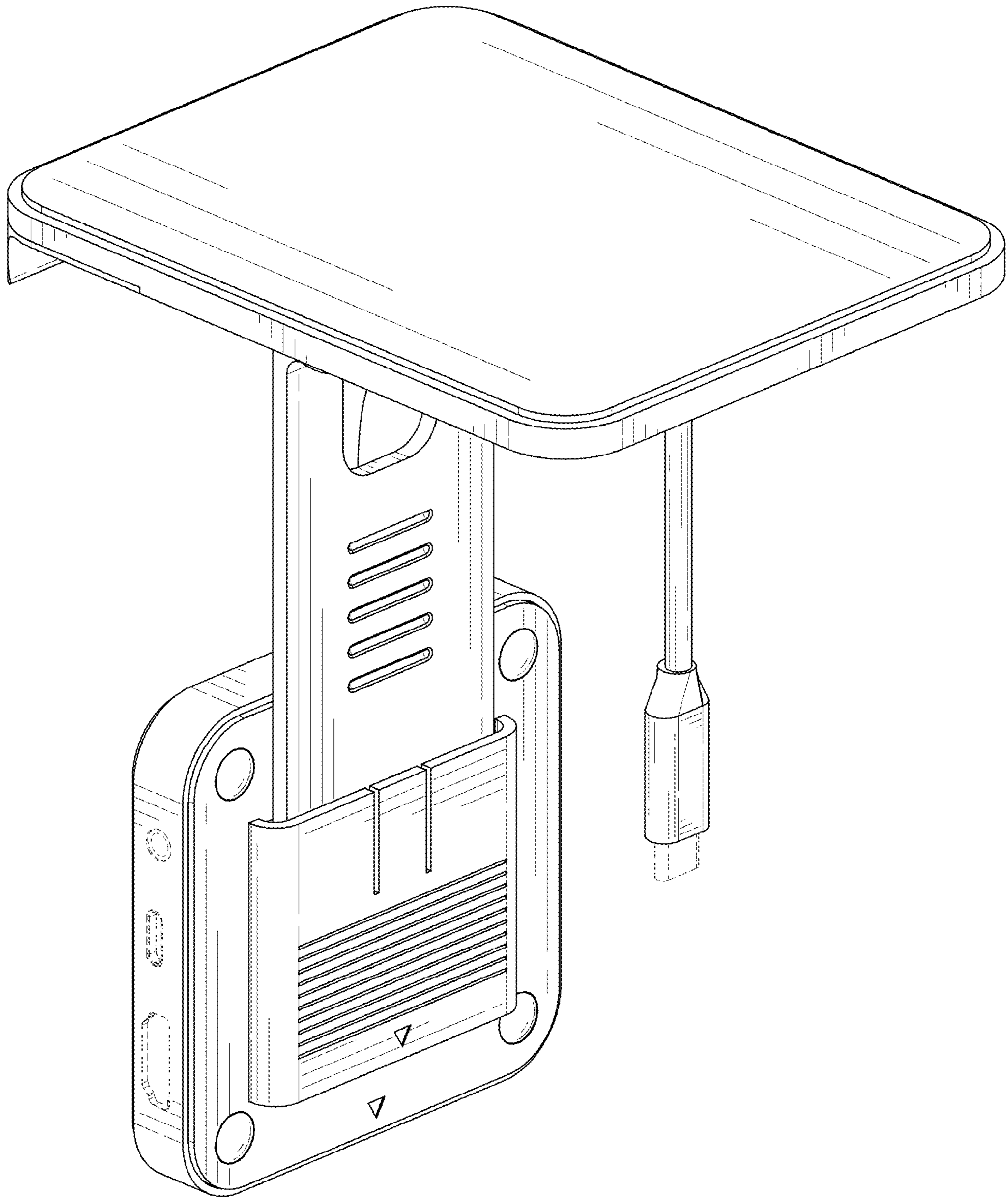


FIG. 2

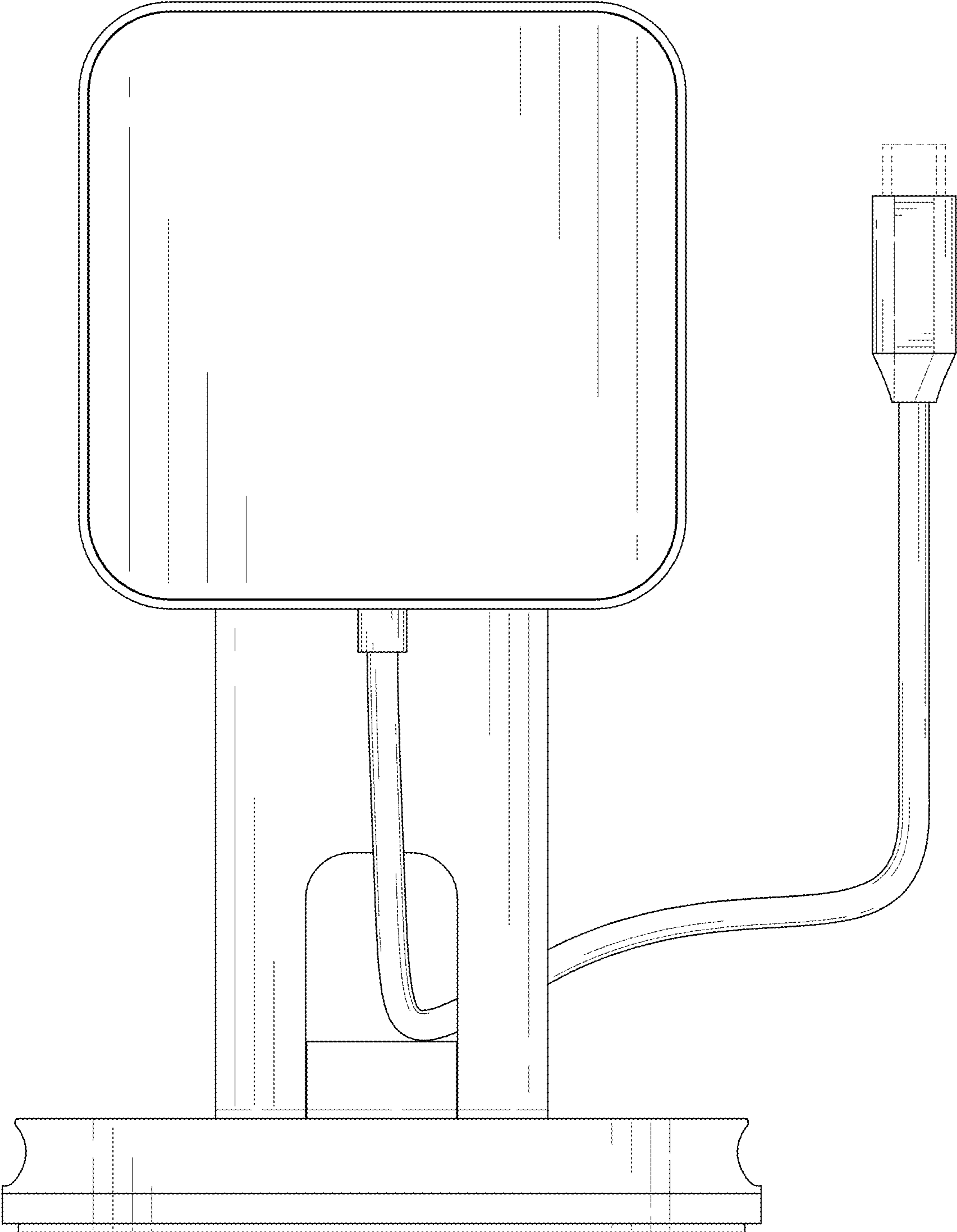


FIG. 3

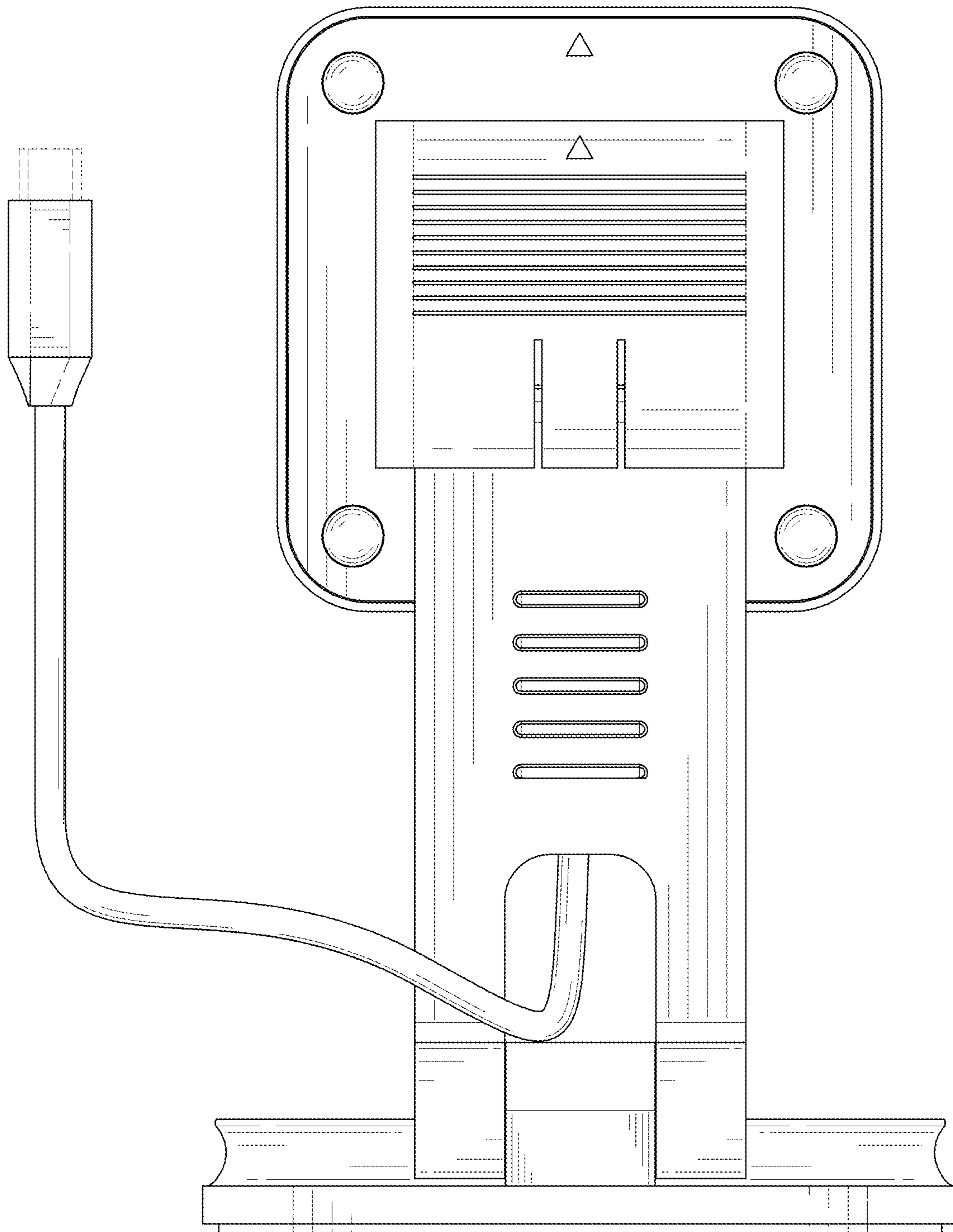


FIG. 4

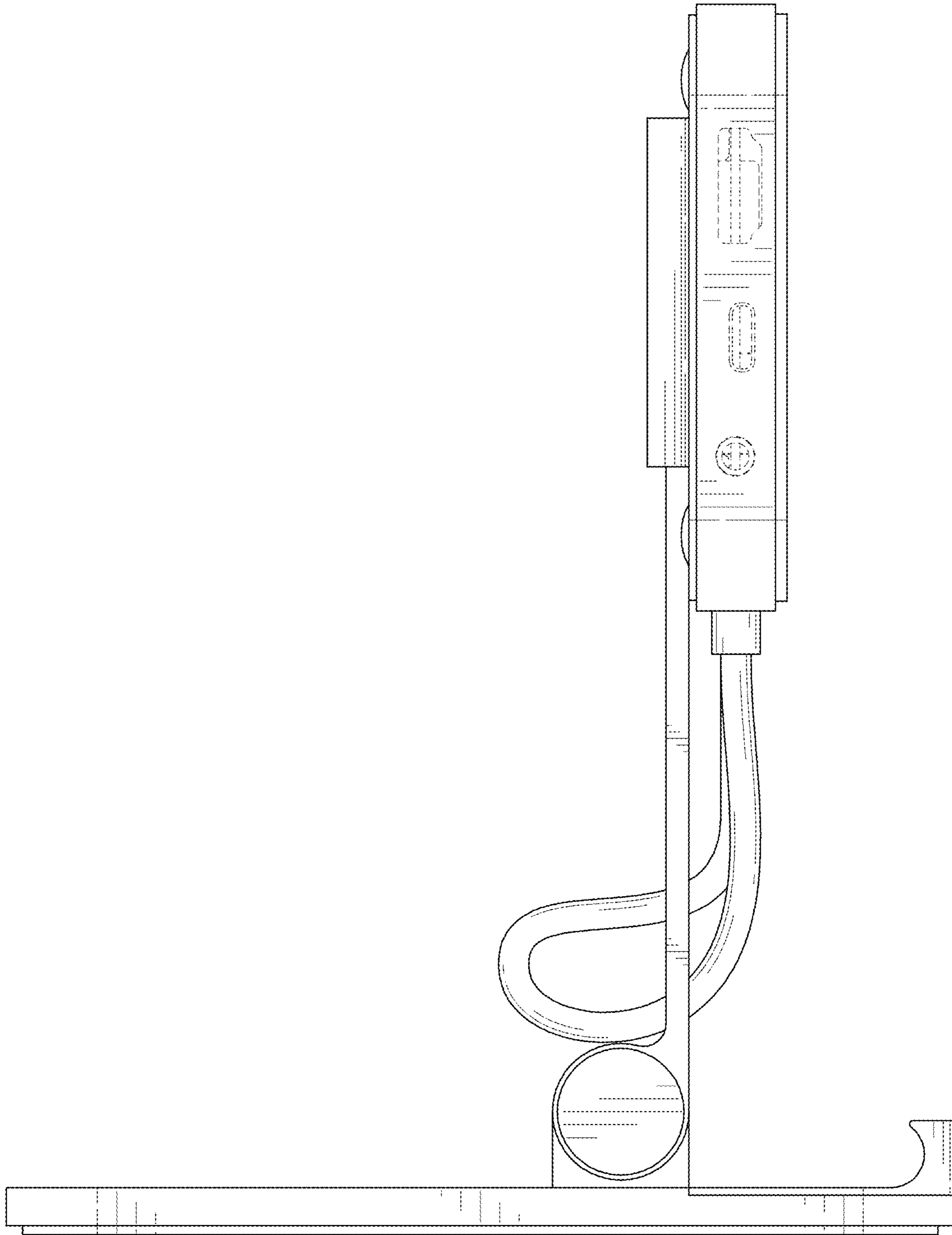


FIG. 5

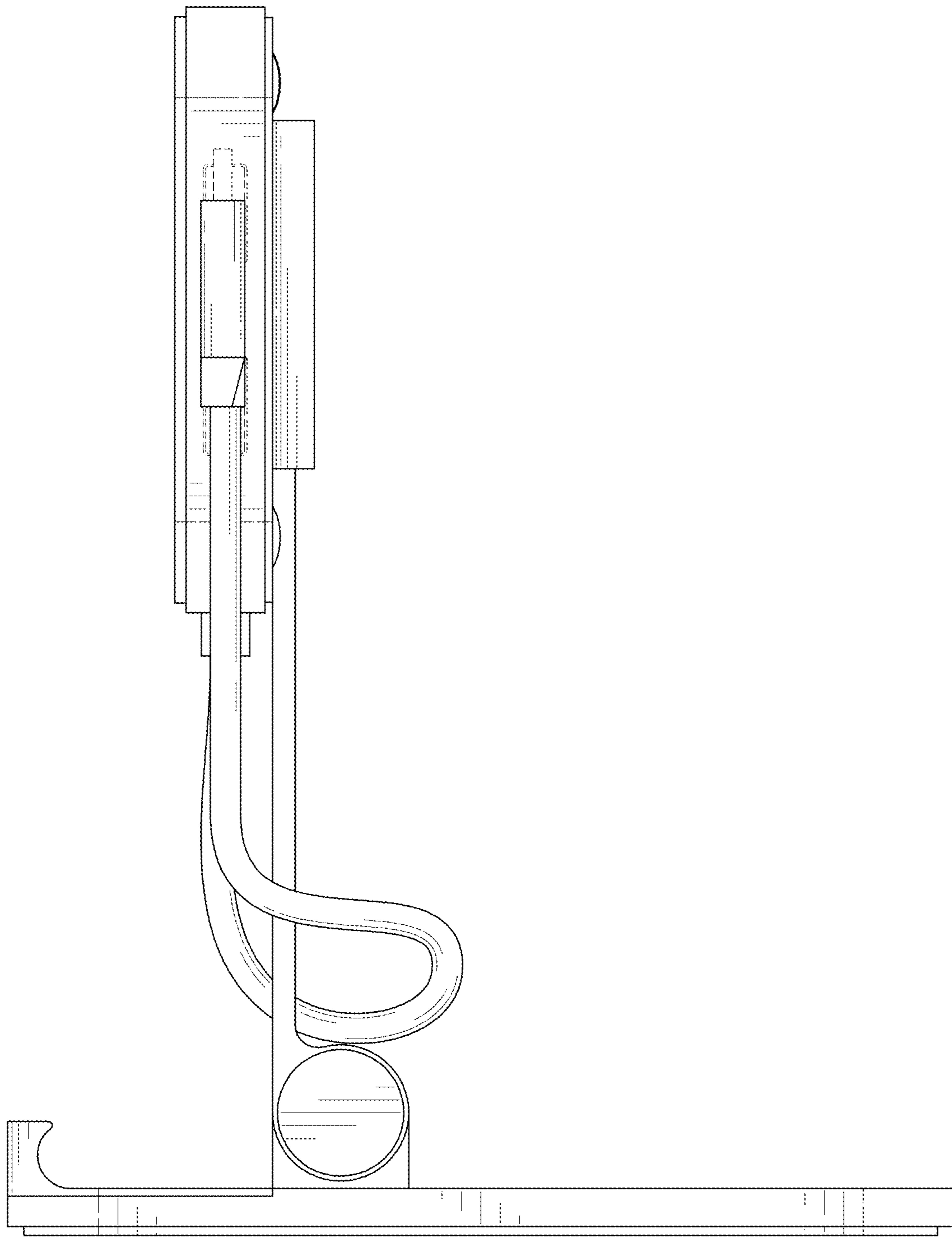


FIG. 6



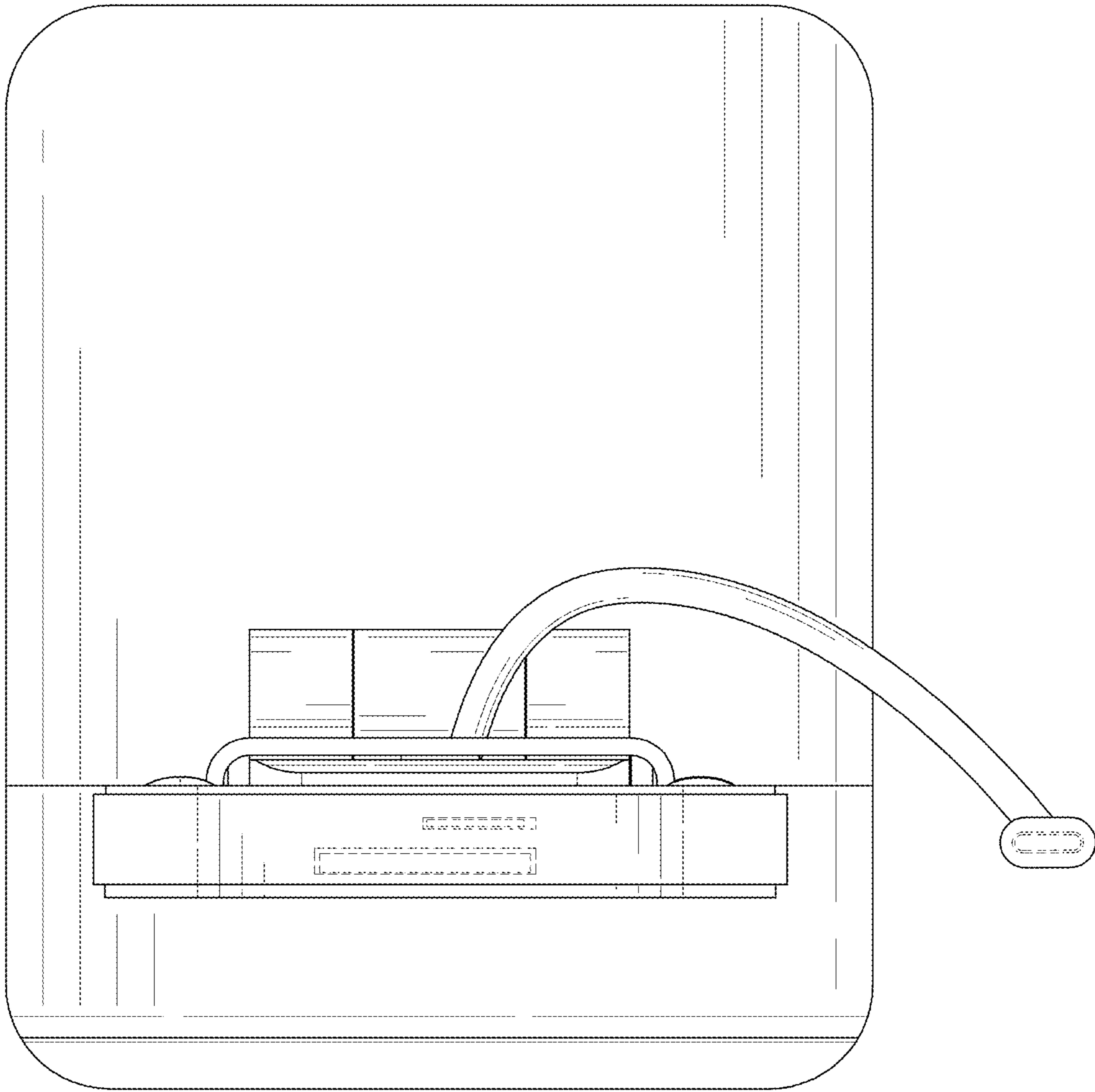


FIG. 7

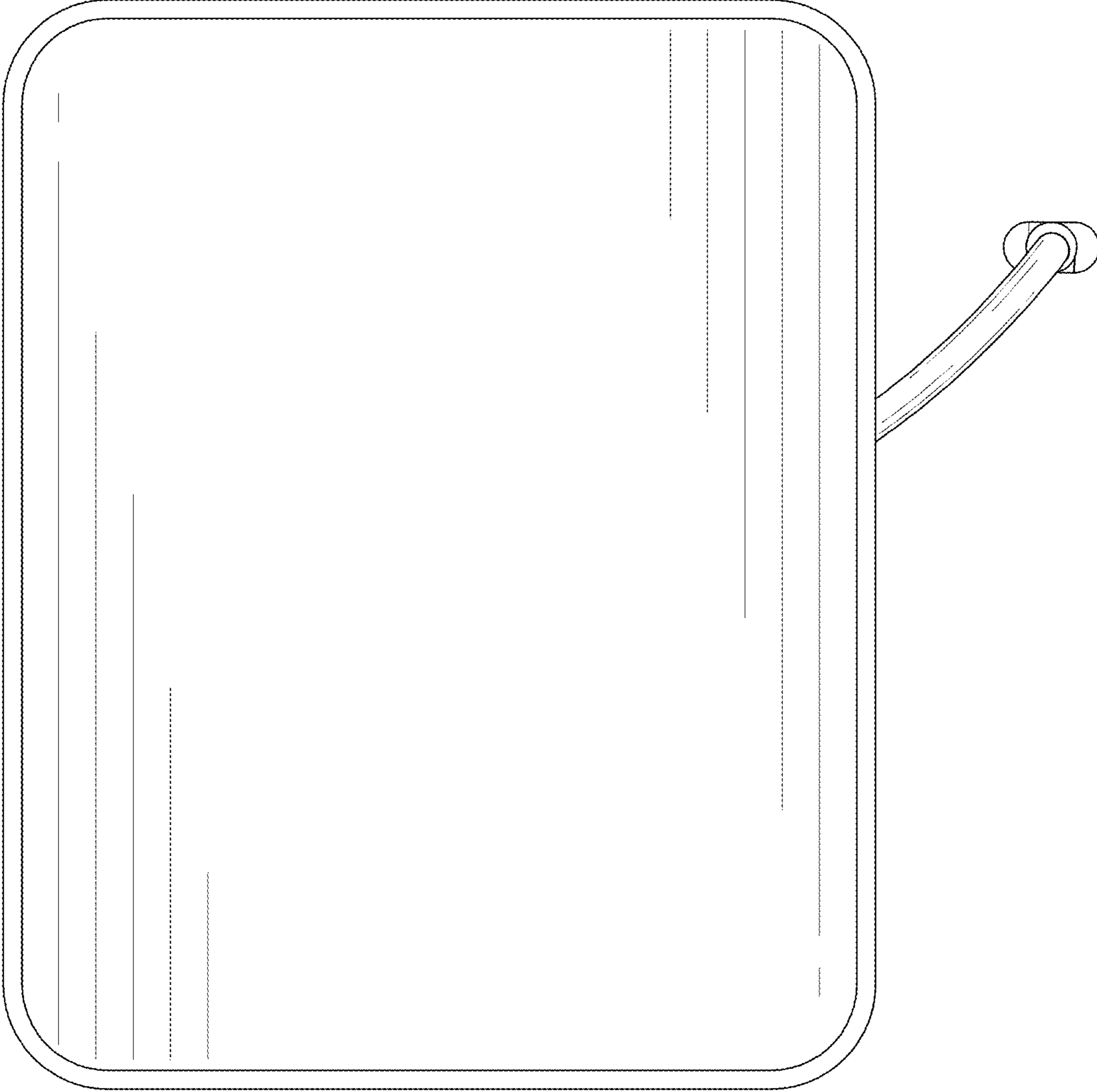


FIG. 8