



US00D938424S

(12) **United States Design Patent**
Kanno

(10) **Patent No.:** **US D938,424 S**

(45) **Date of Patent:** **** Dec. 14, 2021**

(54) **COORDINATE INPUT INSTRUMENT**

(71) Applicant: **Wacom Co., Ltd.**, Kazo (JP)

(72) Inventor: **Teppei Kanno**, Toyko (JP)

(73) Assignee: **Wacom Co., Ltd.**, Kazo (JP)

(**) Term: **15 Years**

(21) Appl. No.: **29/744,503**

(22) Filed: **Jul. 29, 2020**

(30) **Foreign Application Priority Data**

Jan. 30, 2020 (JP) 2020-001633

(51) **LOC (13) Cl.** **14-02**

(52) **U.S. Cl.**
USPC **D14/411**

(58) **Field of Classification Search**
USPC D14/372, 496, 432, 371, 125, 126, 129,
D14/299, 411; D16/300-342; 351/158,
351/153, 144; 345/7-9, 905; 455/344;
348/115, 53, 121, 739

CPC G02B 27/017; G06F 3/016; G06F 3/033;
G06F 3/0317; G06F 3/03545; G06F
3/041; G06K 9/222

See application file for complete search history.

(56) **References Cited**

U.S. PATENT DOCUMENTS

D705,780 S	5/2014	Nishizawa	
D717,798 S *	11/2014	Groene	D14/411
D781,859 S *	3/2017	Magi	D14/411
D835,106 S *	12/2018	Hsu	D14/411
D841,737 S *	2/2019	Hallar	D19/177
D848,426 S *	5/2019	Nishizawa	D14/411
D911,341 S *	2/2021	Nishizawa	D14/411

D917,484 S *	4/2021	Huebner	D14/411
D918,207 S *	5/2021	Kim	D14/411
D918,912 S *	5/2021	Akana	D14/411

FOREIGN PATENT DOCUMENTS

JP	D1553034 S	7/2016
JP	D1553597 S	7/2016

* cited by examiner

Primary Examiner — Austin Murphy

(74) *Attorney, Agent, or Firm* — Christensen O'Connor Johnson Kindness PLLC

(57) **CLAIM**

The ornamental design for a coordinate input instrument, as shown and described.

DESCRIPTION

FIG. 1 is a front-bottom-right perspective view of a coordinate input instrument according to an embodiment of my new design;

FIG. 2 is a rear-top-left perspective view thereof;

FIG. 3 is a front elevational view thereof;

FIG. 4 is a right side elevational view thereof, wherein the left side elevational view is a mirror image of the right side elevational view;

FIG. 5 is a rear elevational view thereof;

FIG. 6 is a top plan view thereof;

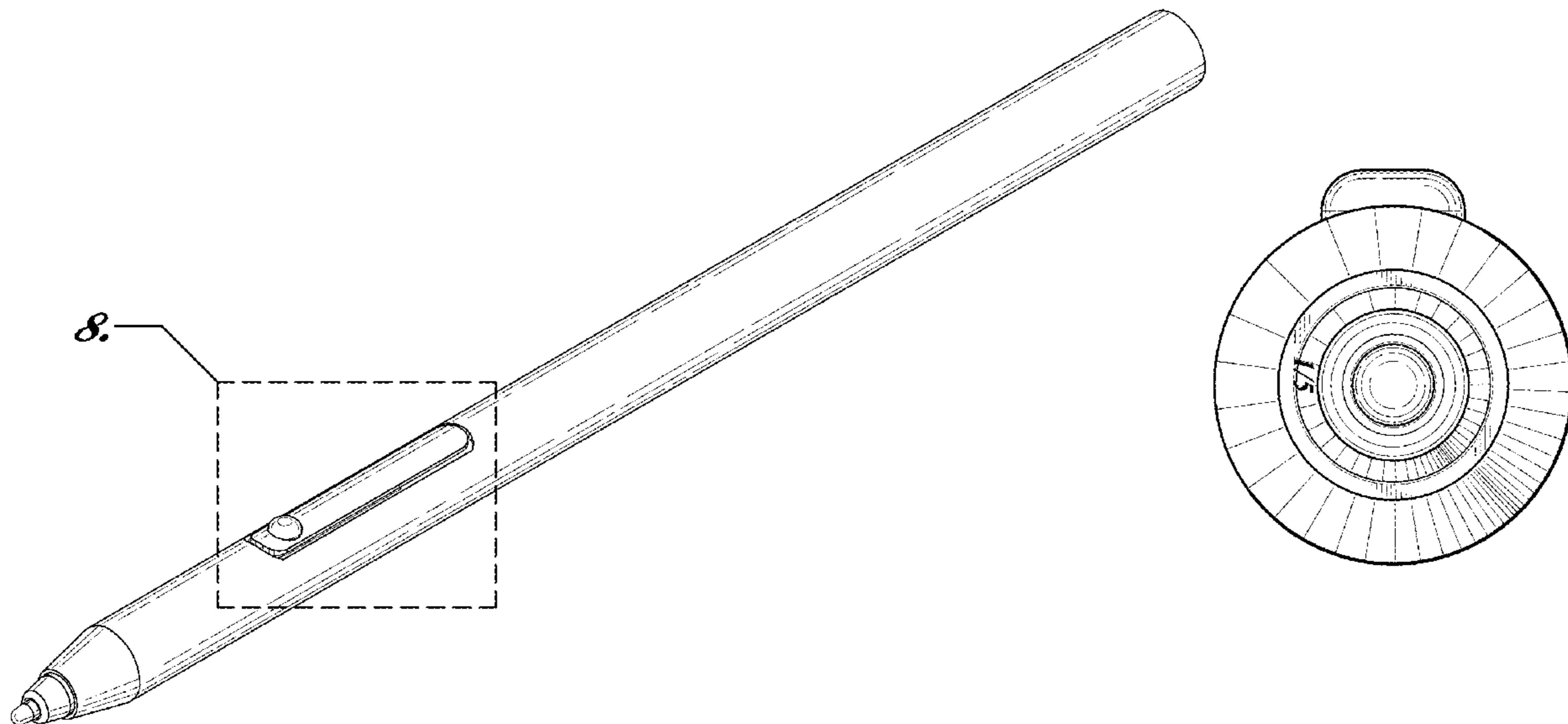
FIG. 7 is a bottom plan view thereof;

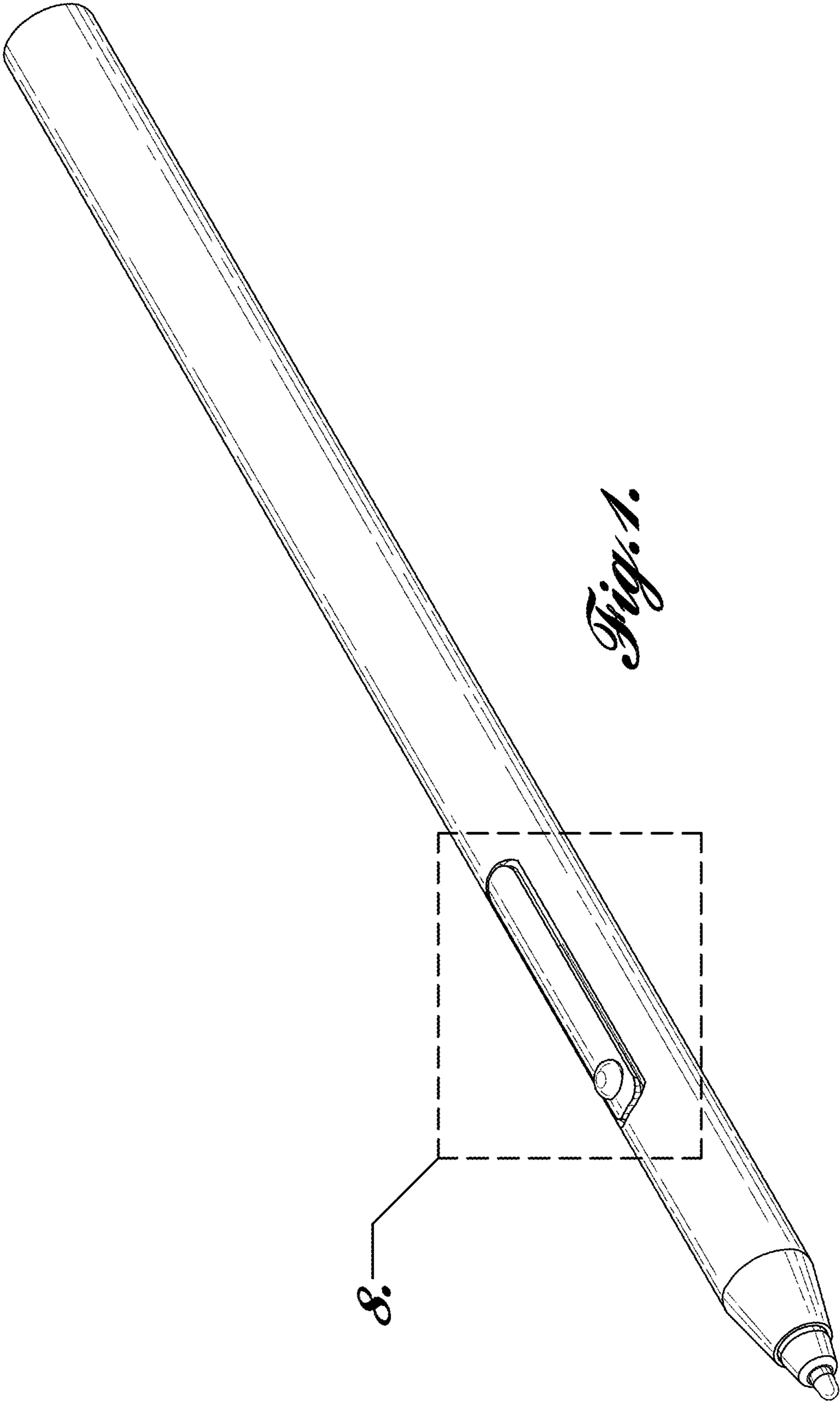
FIG. 8 is a partial front-bottom-right perspective view thereof indicated in FIG. 1; and,

FIG. 9 is a partial front elevational view thereof indicated in FIG. 3.

The dot-dot-dash broken lines indicate the boundary of the enlarged portions of the drawings. The remaining broken lines in the figures depict portions of the coordinate input instrument that form no part of the claimed design.

1 Claim, 5 Drawing Sheets





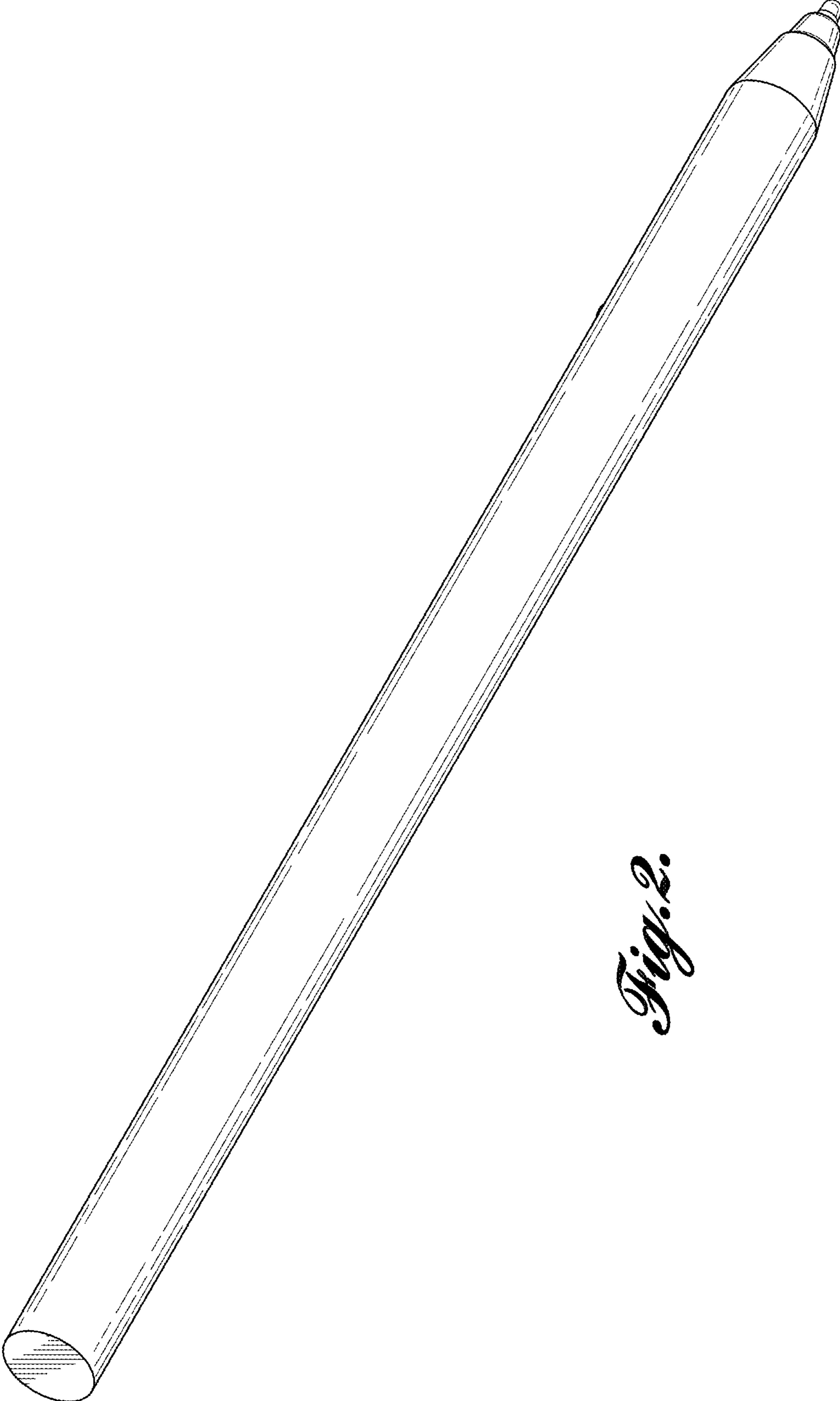


Fig. 2.

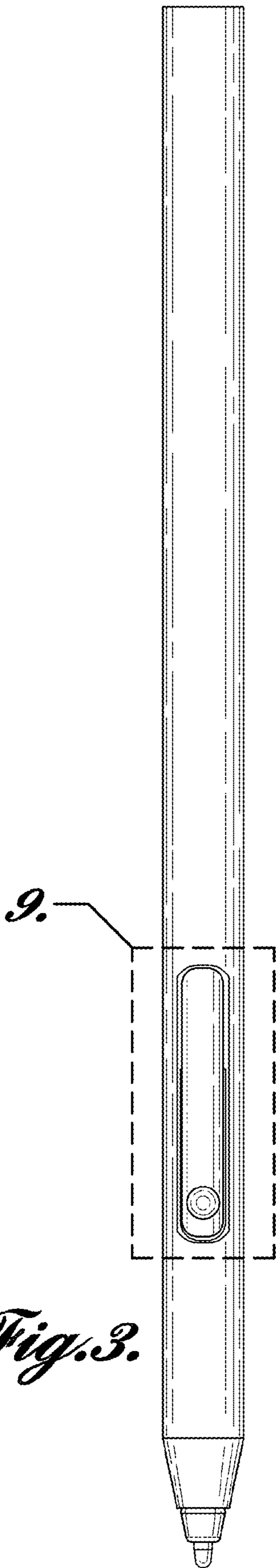


Fig. 3.

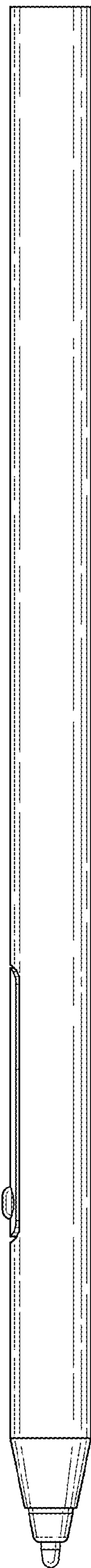


Fig. 4.

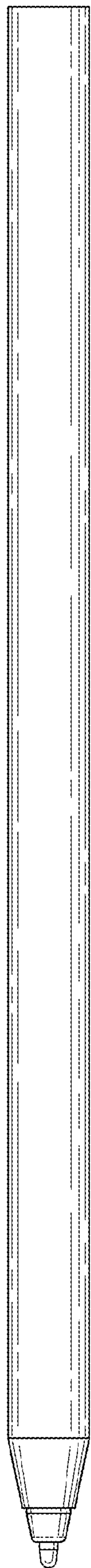


Fig. 5.

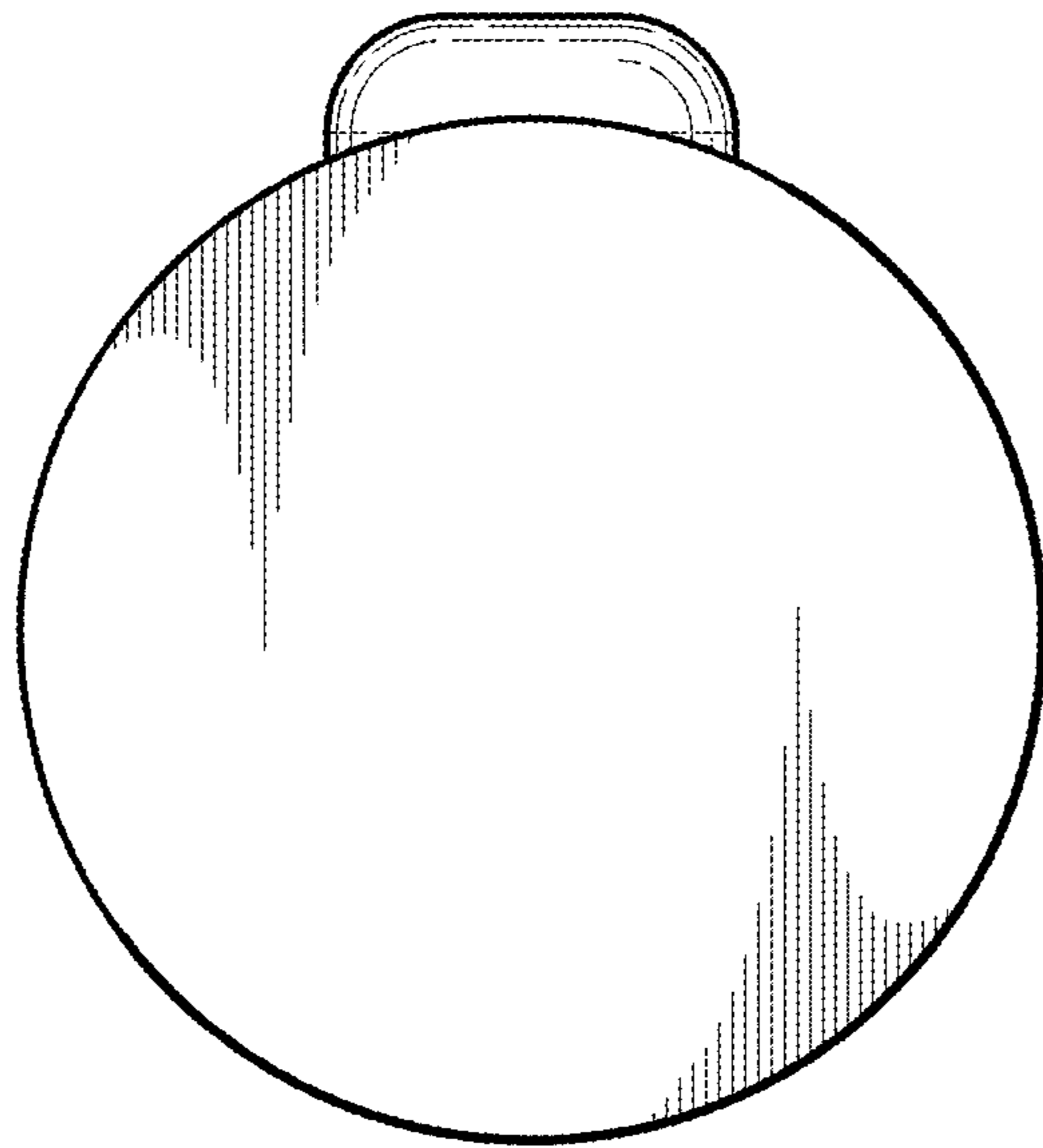


Fig. 6.

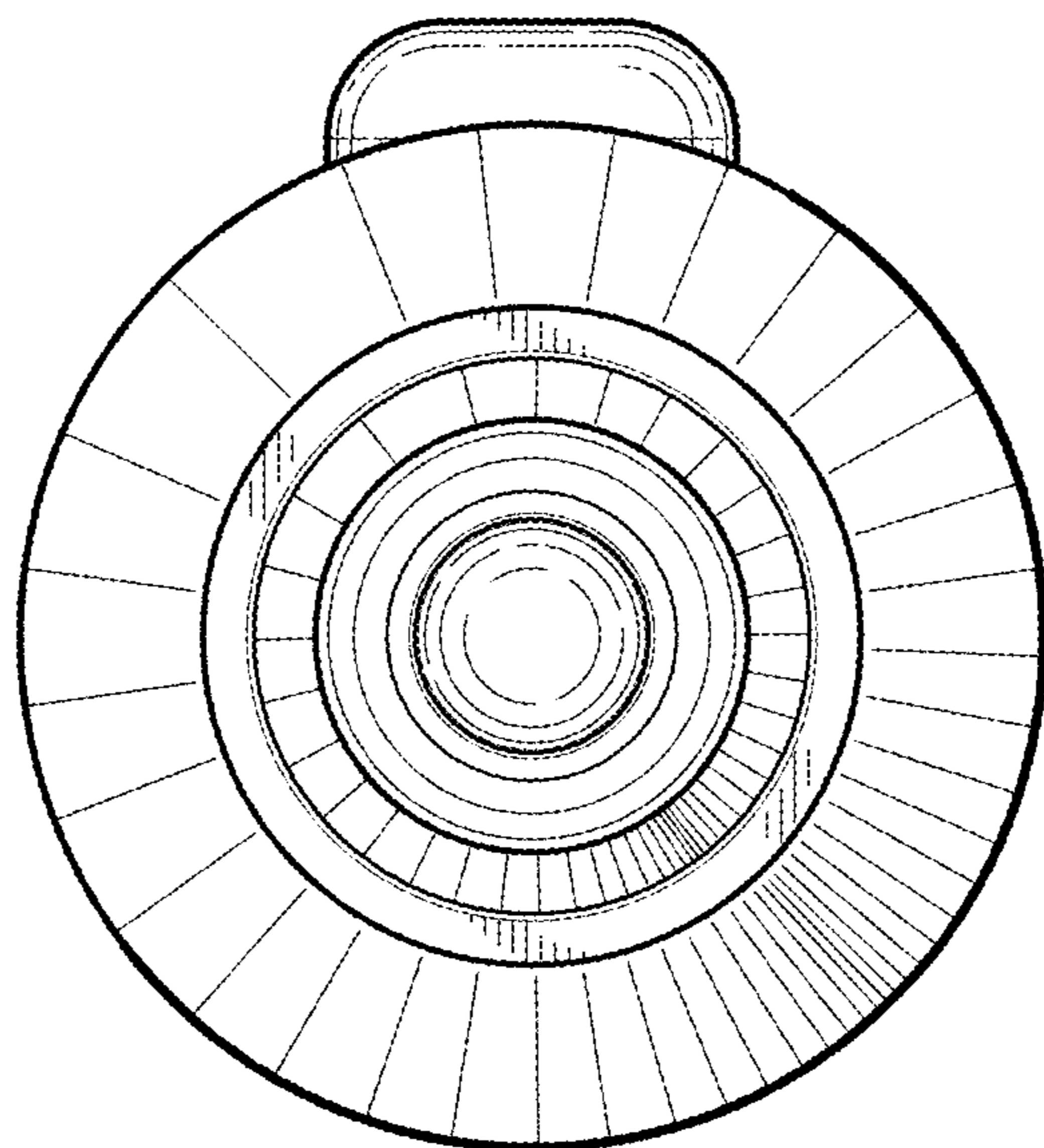


Fig. 7.

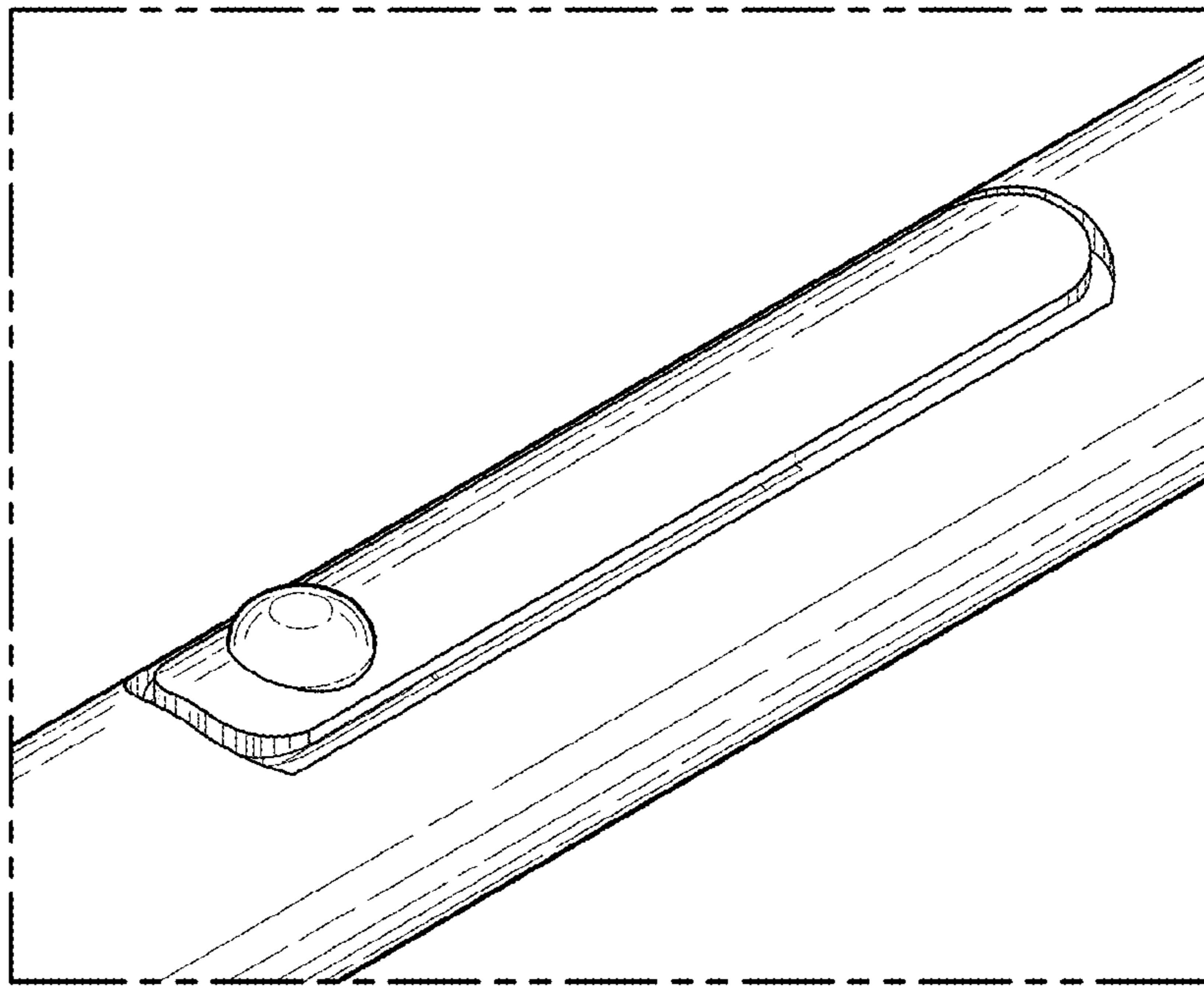


Fig. 8.

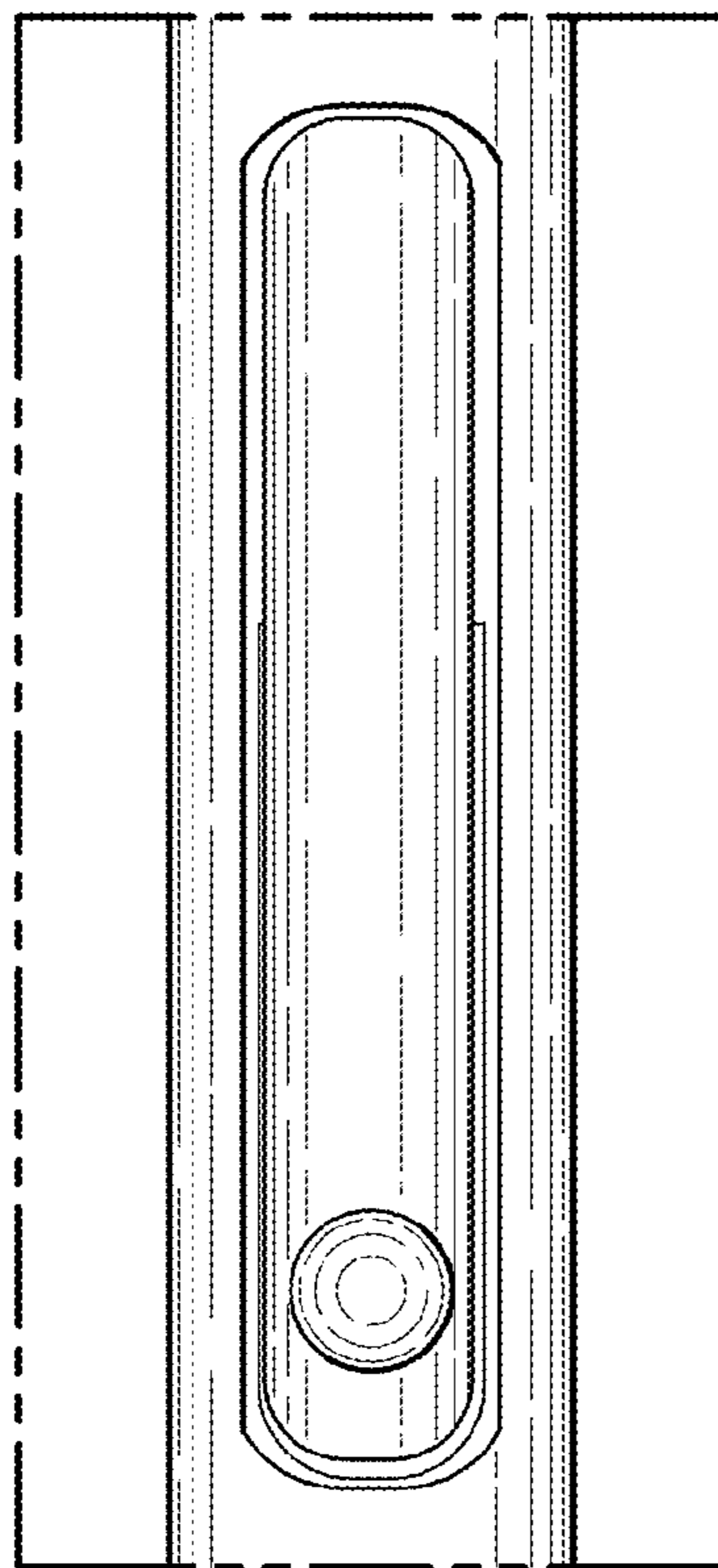


Fig. 9.