



US00D938423S

(12) **United States Design Patent**
Li

(10) **Patent No.:** **US D938,423 S**

(45) **Date of Patent:** **** Dec. 14, 2021**

(54) **VERTICAL MOUSE**

(71) Applicant: **Dongguan Togran Electronics Technology Co., Ltd, Guangdong (CN)**

(72) Inventor: **Chenxi Li, Guangdong (CN)**

(73) Assignee: **Dongguan Togran Electronics Technology Co., Ltd, Dongguan (CN)**

(**) Term: **15 Years**

(21) Appl. No.: **29/737,221**

(22) Filed: **Jun. 7, 2020**

(30) **Foreign Application Priority Data**

Apr. 17, 2020 (CN) 202030157763.3

(51) **LOC (13) Cl.** **14-02**

(52) **U.S. Cl.**
USPC **D14/409**

(58) **Field of Classification Search**

USPC D14/402-411, 356, 388, 389, 383-385,
D14/417, 426; 345/156-167; 463/36-38;
358/471, 473; 273/148 B

CPC G06F 3/03543; G06F 2203/0333; G06F
3/039; G06F 3/038; G06F 2203/0384

See application file for complete search history.

(56) **References Cited**

U.S. PATENT DOCUMENTS

D804,480 S * 12/2017 Deng D14/409
D819,034 S * 5/2018 Lo D14/409

D834,022 S * 11/2018 Gleeson D14/409
D851,642 S * 6/2019 Wang D14/402
D921,634 S * 6/2021 Tan D14/417
D922,384 S * 6/2021 Amalou D14/409
D923,008 S * 6/2021 Yamada D14/409
D928,156 S * 8/2021 Campbell D14/417
D931,283 S * 9/2021 Jinkinson D14/409

* cited by examiner

Primary Examiner — Austin Murphy

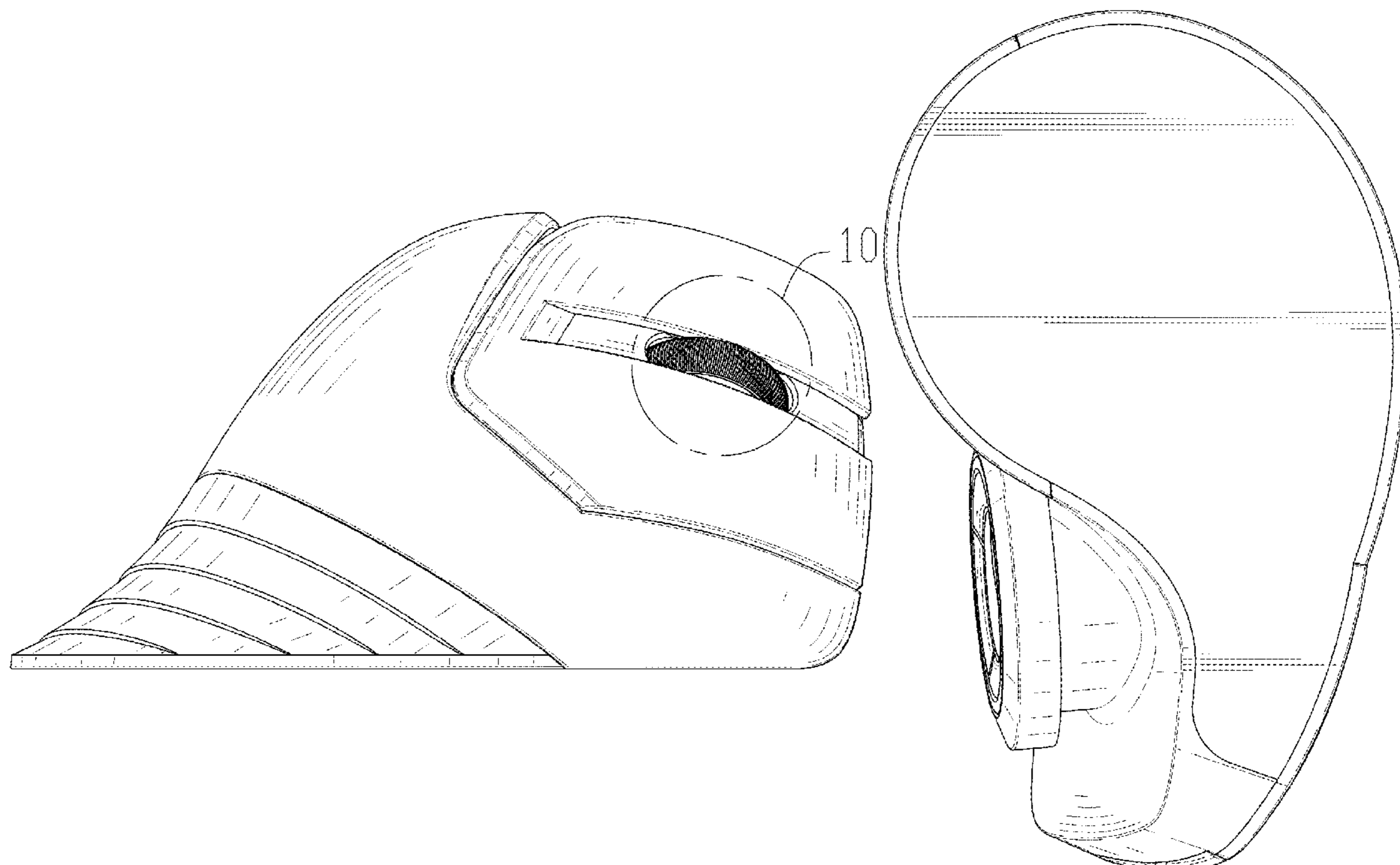
(57) **CLAIM**

The ornamental design for a vertical mouse, as shown and described.

DESCRIPTION

FIG. 1 is a top, rear and right side perspective view of a vertical mouse showing my new design;
FIG. 2 is a bottom, rear and left side perspective view thereof;
FIG. 3 is a front elevational view thereof;
FIG. 4 is a rear elevational view thereof;
FIG. 5 is a left side view thereof;
FIG. 6 is a right side view thereof;
FIG. 7 is a top plan view thereof;
FIG. 8 is a bottom plan view thereof;
FIG. 9 is an enlarged view of portion 9 in FIG. 1; and,
FIG. 10 is an enlarged view of portion 10 in FIG. 6.

1 Claim, 10 Drawing Sheets



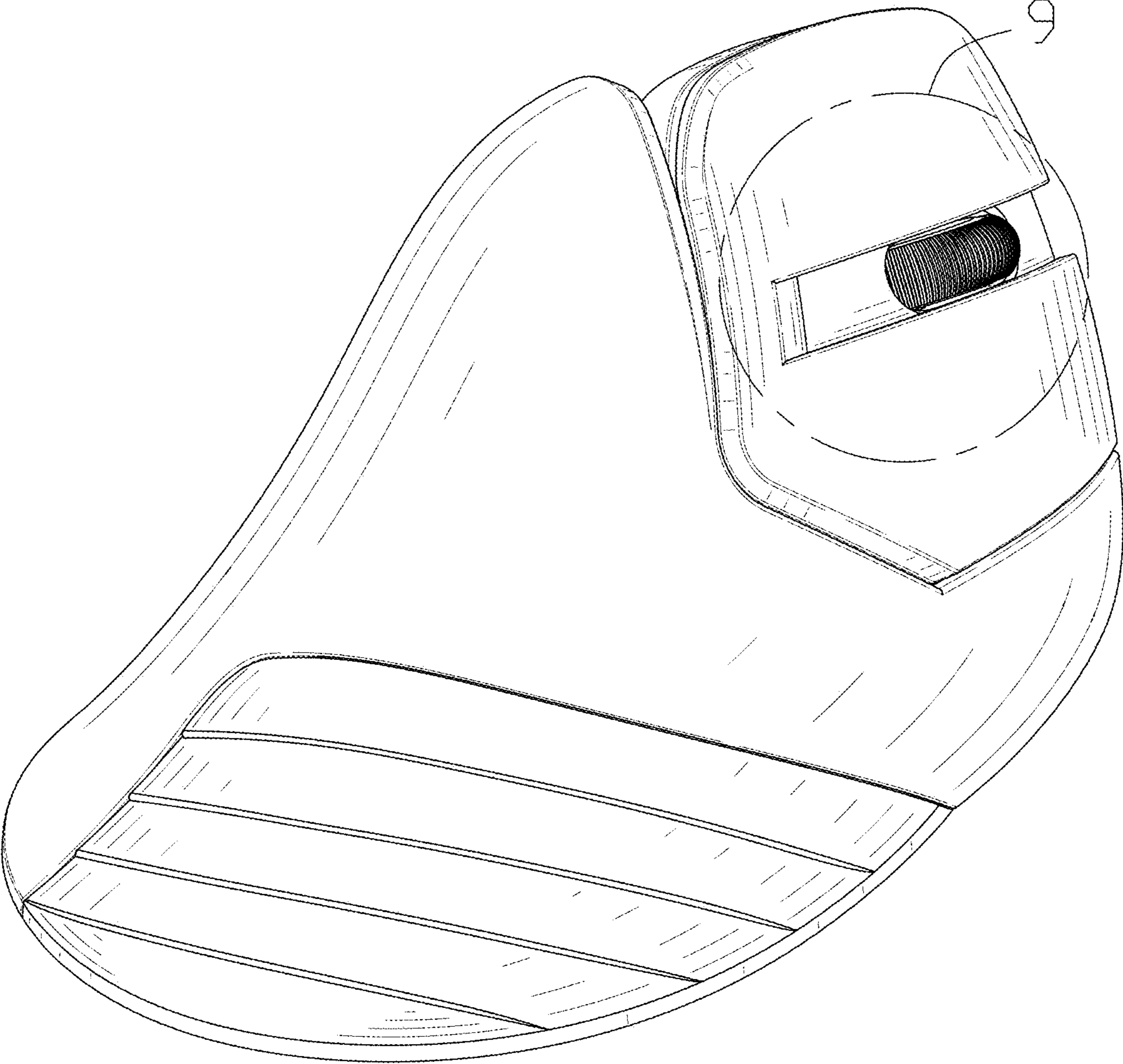


FIG. 1

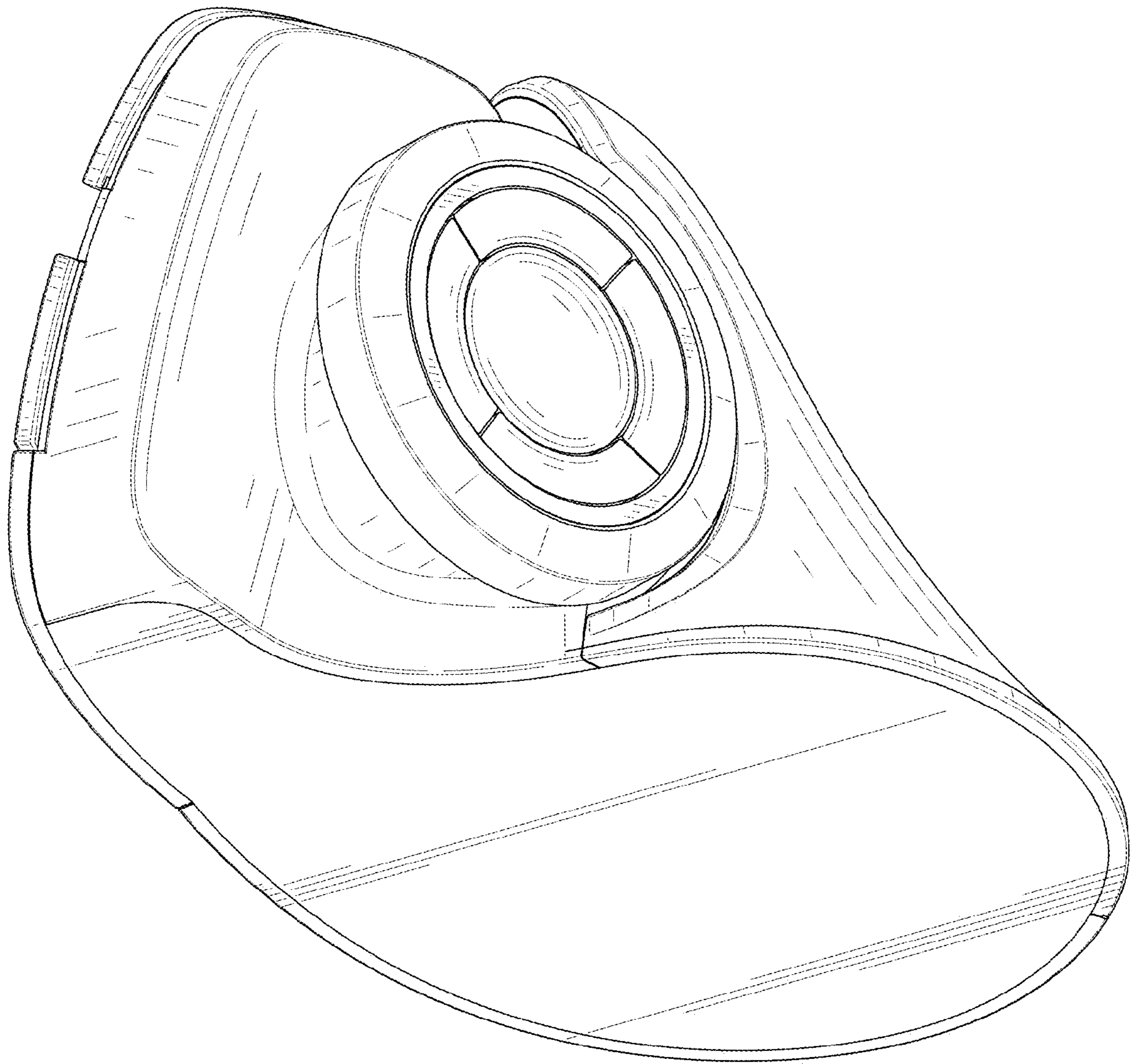


FIG. 2

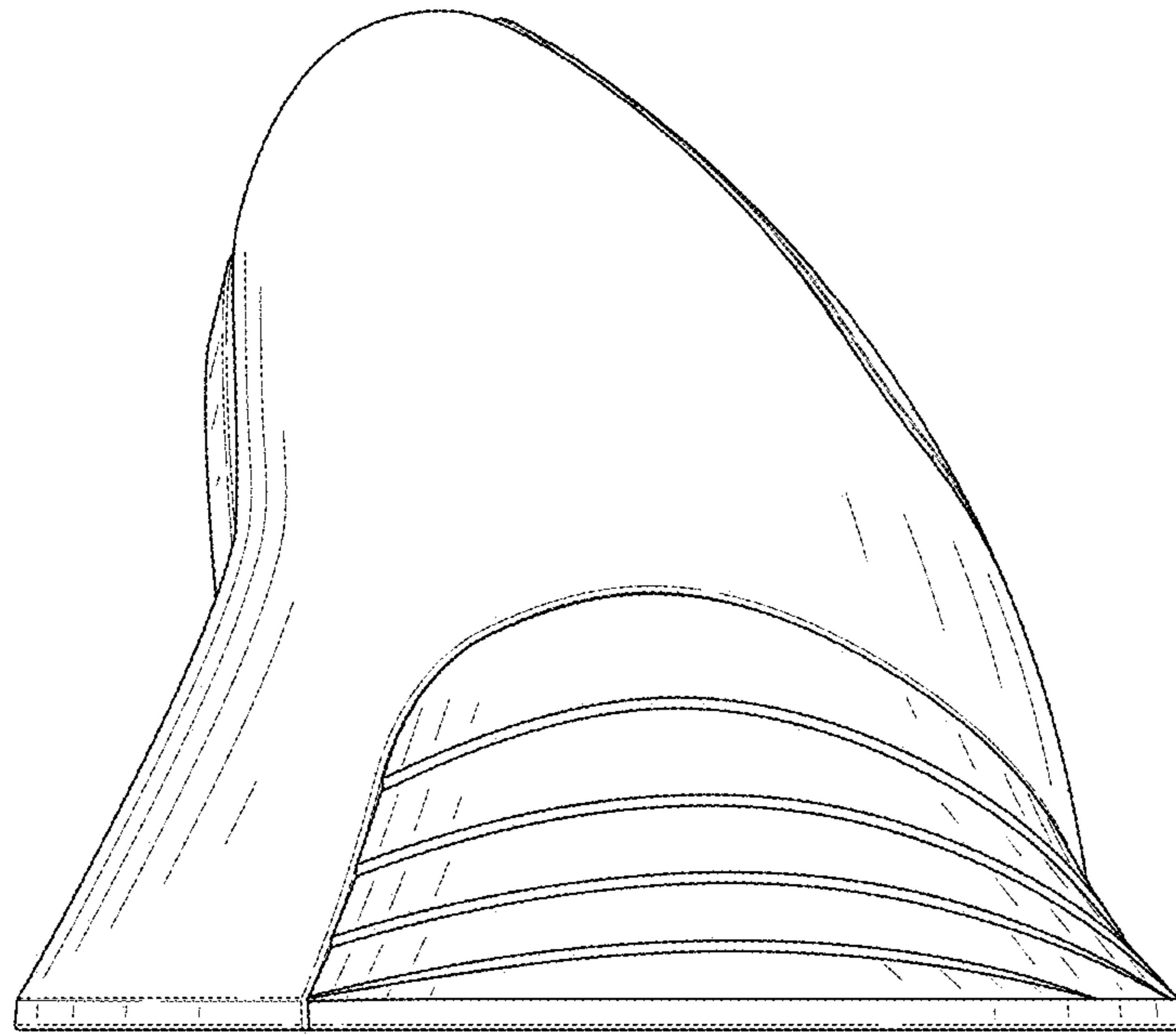


FIG. 3

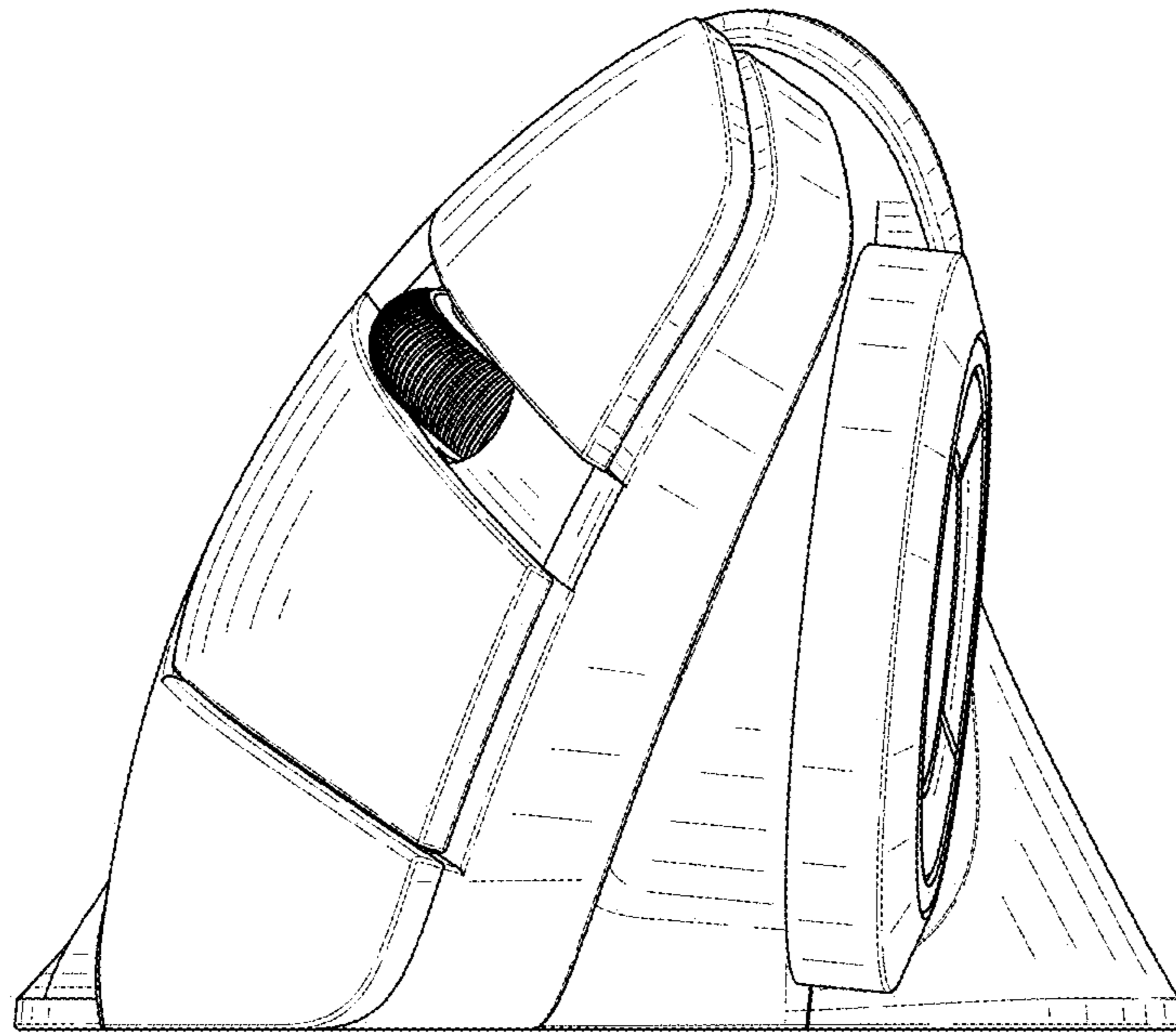


FIG. 4

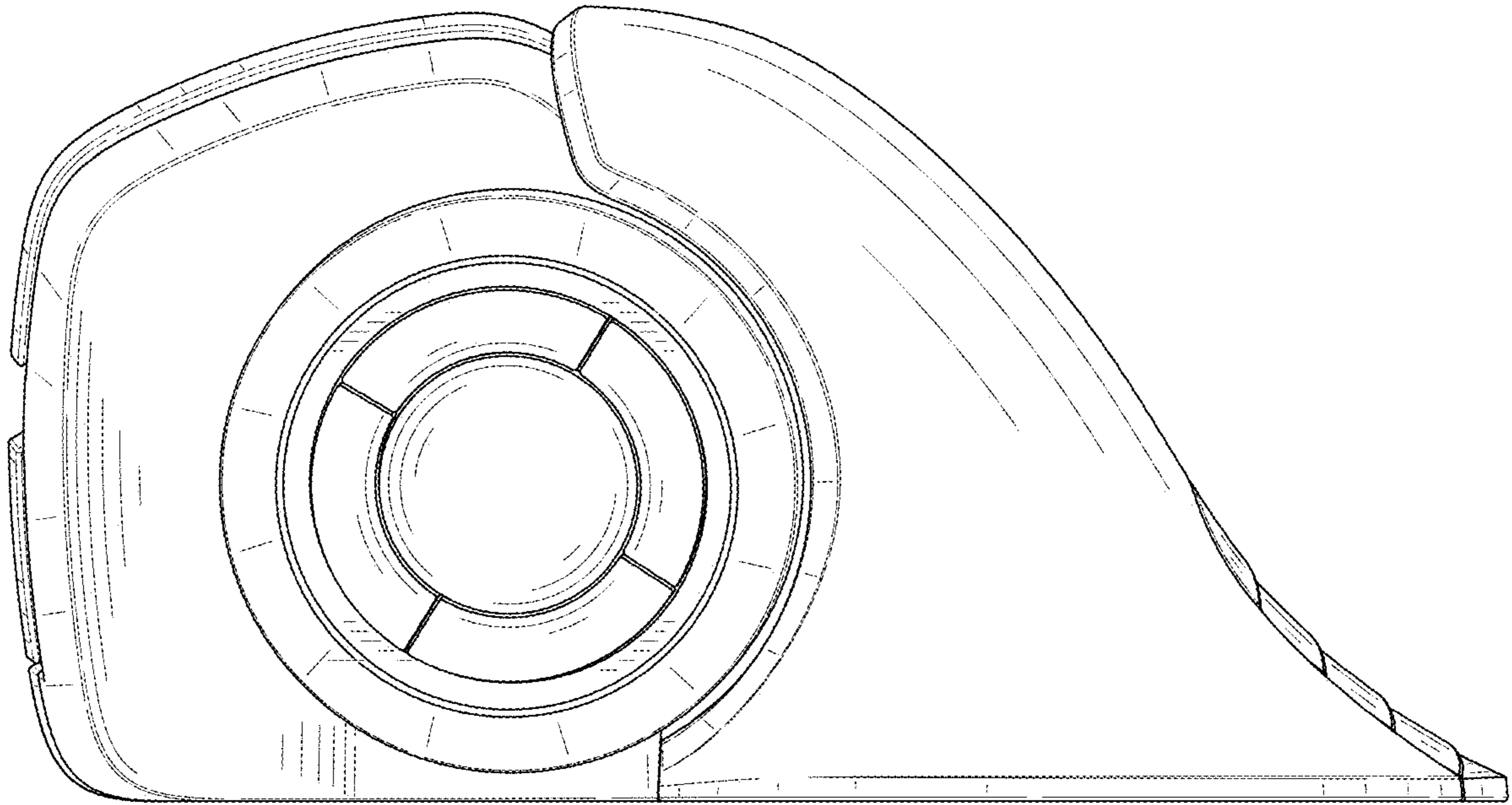


FIG. 5

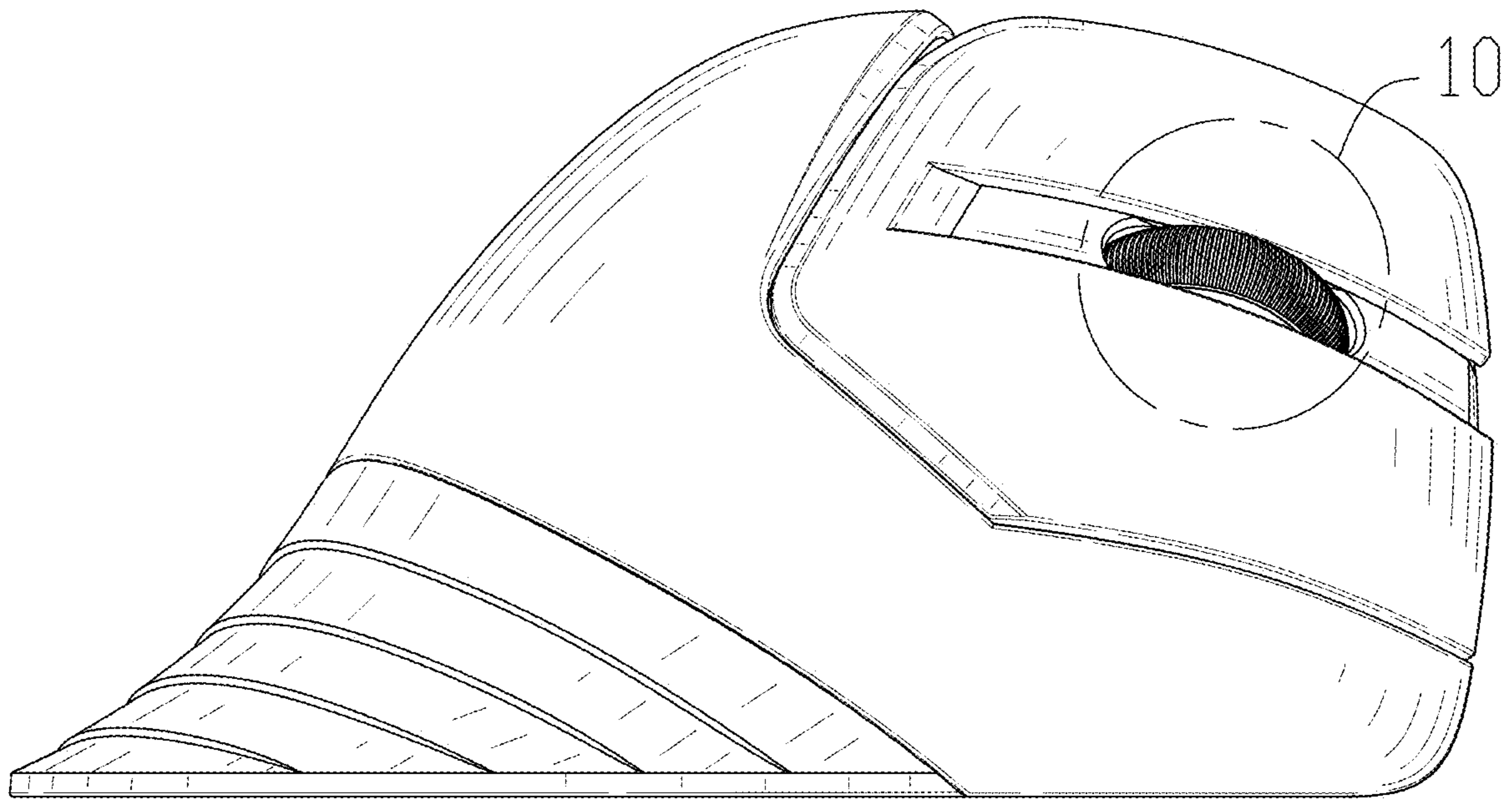


FIG. 6

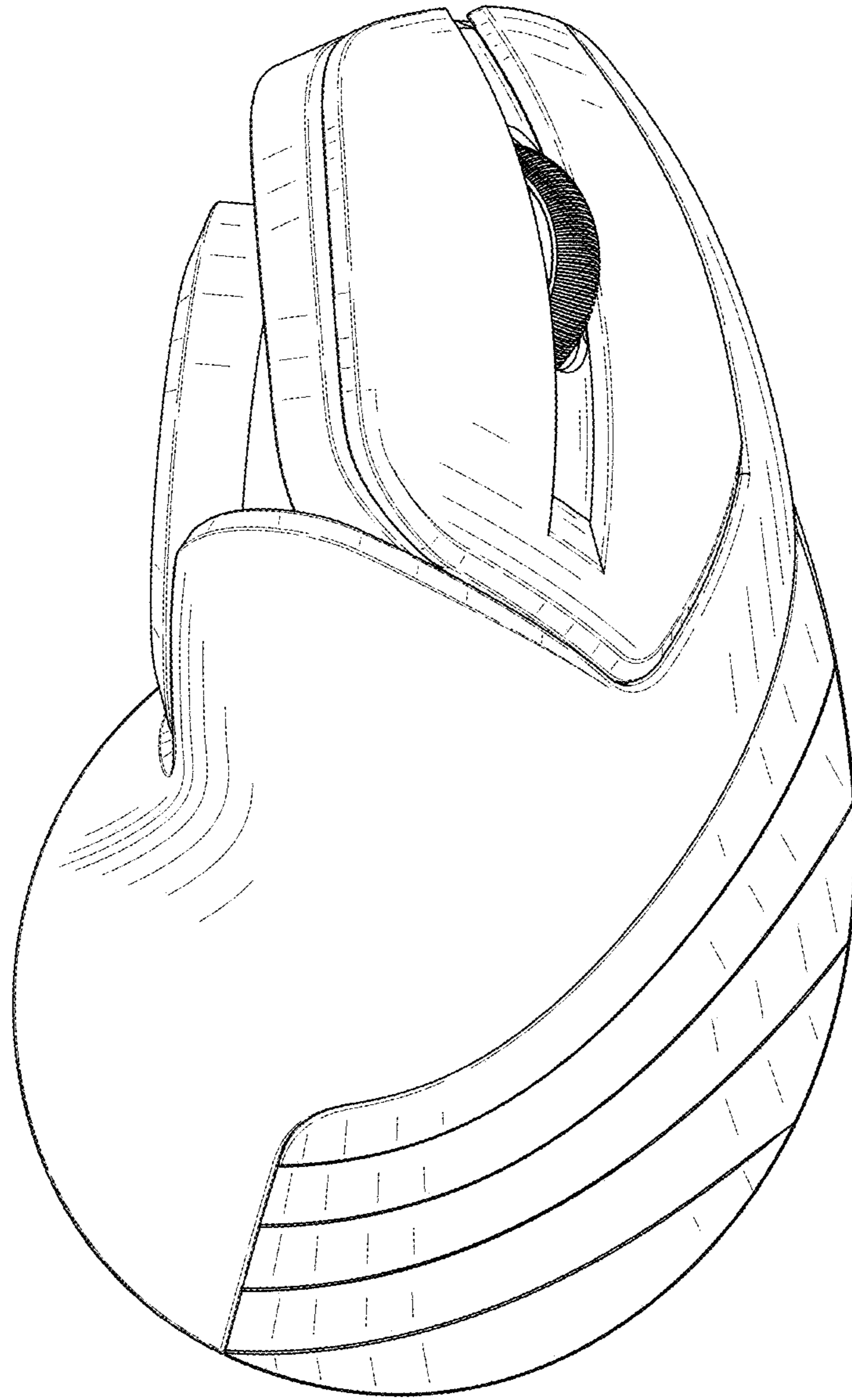


FIG. 7

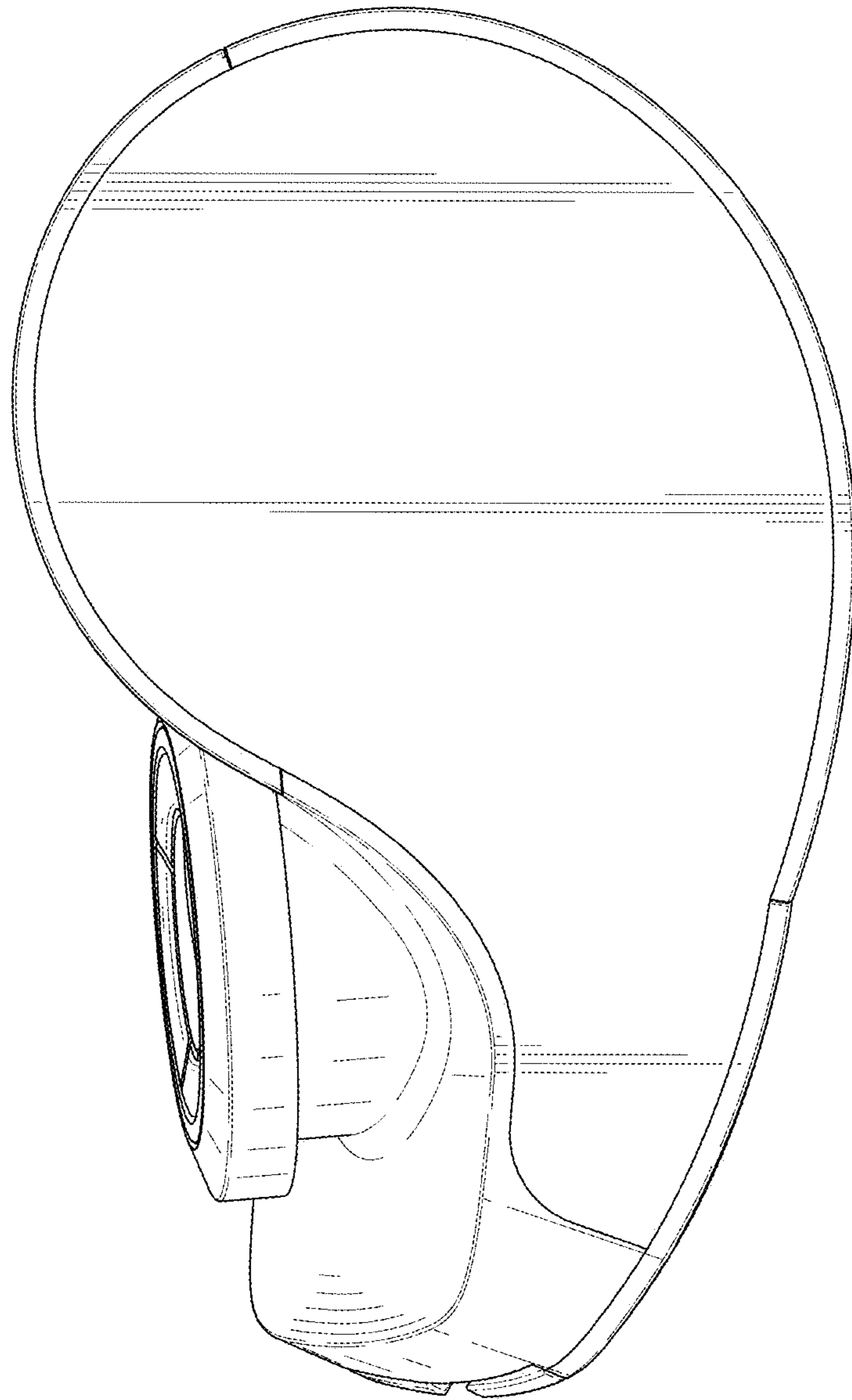


FIG. 8

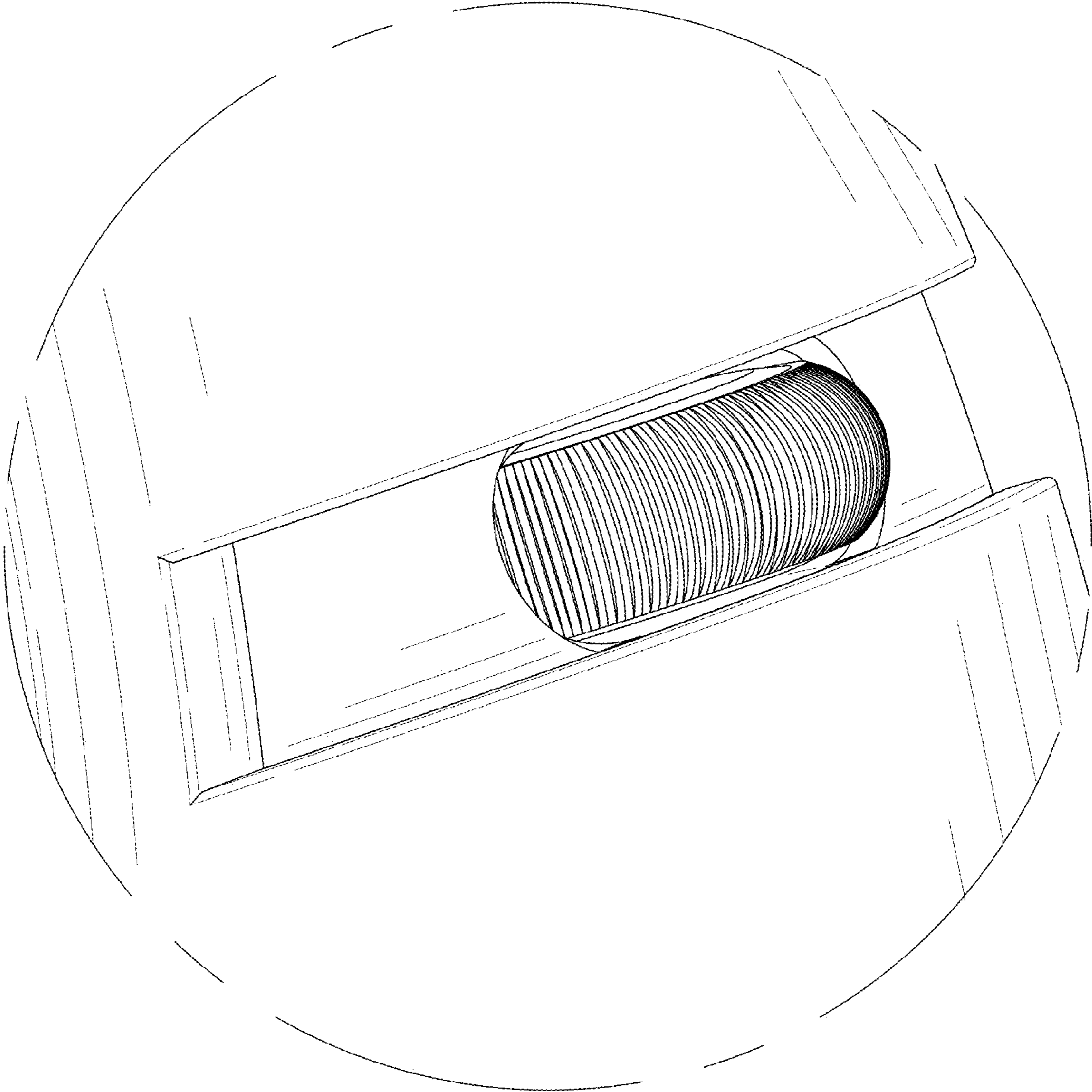


FIG. 9

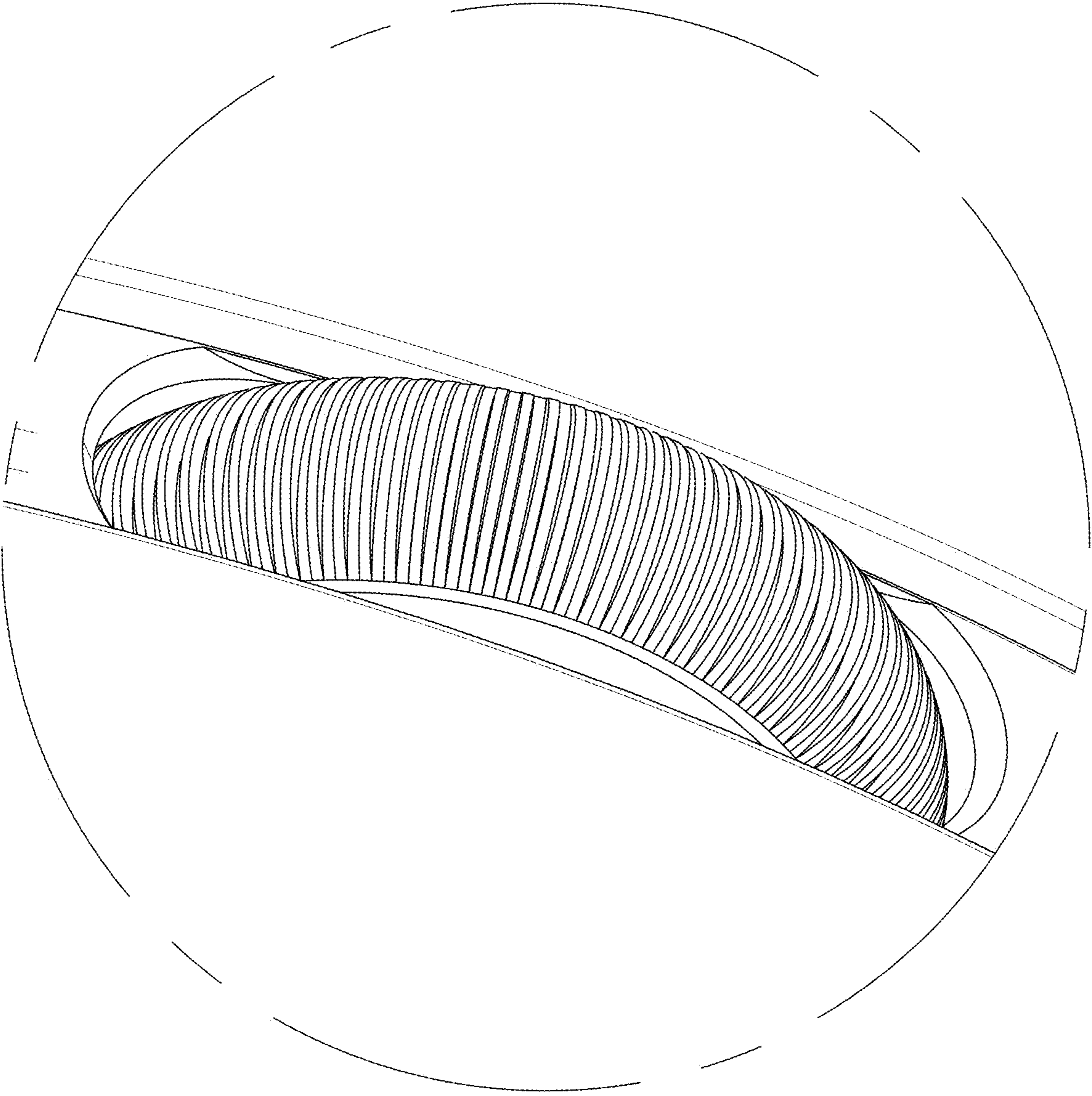


FIG. 10