



US00D938422S

(12) **United States Design Patent** (10) **Patent No.:** **US D938,422 S**
Hellwig-Delaminsky (45) **Date of Patent:** **** Dec. 14, 2021**

(54) **SMARTBOX**

(56) **References Cited**

(71) Applicant: **Deutsche Bahn AG**, Berlin (DE)
 (72) Inventor: **Ingo Hellwig-Delaminsky**, Berlin (DE)
 (73) Assignee: **DEUTSCHE BAHN AG**, Berlin (DE)
 (**) Term: **15 Years**
 (21) Appl. No.: **29/715,414**
 (22) Filed: **Dec. 2, 2019**

U.S. PATENT DOCUMENTS

D699,614 S	*	2/2014	Ke	D10/106.95
D719,862 S	*	12/2014	Fiedler	D10/106.95
D736,207 S	*	8/2015	Bousfield	D14/385
D784,332 S	*	4/2017	Hsu	D14/383
D838,271 S	*	1/2019	Kaneko	D14/384
D849,005 S	*	5/2019	Bierach	D14/383
D855,613 S	*	8/2019	Kaiya	D14/383
D859,409 S	*	9/2019	Tsujikawa	D14/383
D859,410 S	*	9/2019	Tsujikawa	D14/383
D864,200 S	*	10/2019	Holman, IV	D14/384
D892,114 S	*	8/2020	Siminoff	D14/383
D915,403 S	*	4/2021	Iasso	D14/384

(30) **Foreign Application Priority Data**

Jun. 7, 2019 (EM) 006567418-002

(51) **LOC (13) Cl.** **14-02**

(52) **U.S. Cl.**
USPC **D14/383**

(58) **Field of Classification Search**
 USPC D14/356-358, 383-385, 420, 426, 427,
 D14/432-439, 447, 453, 454, 217, 253,
 D14/299, 307; D13/107, 108, 133, 146,
 D13/147, 152, 154, 156, 158, 162, 162.1,
 D13/168, 173, 177, 102; 235/441, 451,
 235/492, 380, 439, 375; 361/679.31, 600,
 361/679.01, 679.02
 CPC G07C 9/00103; G07C 9/00039; G07C
 9/00904; G06K 5/00; G06K 7/01
 See application file for complete search history.

* cited by examiner

Primary Examiner — Austin Murphy
 (74) *Attorney, Agent, or Firm* — Gottlieb, Rackman &
 Reisman, PC

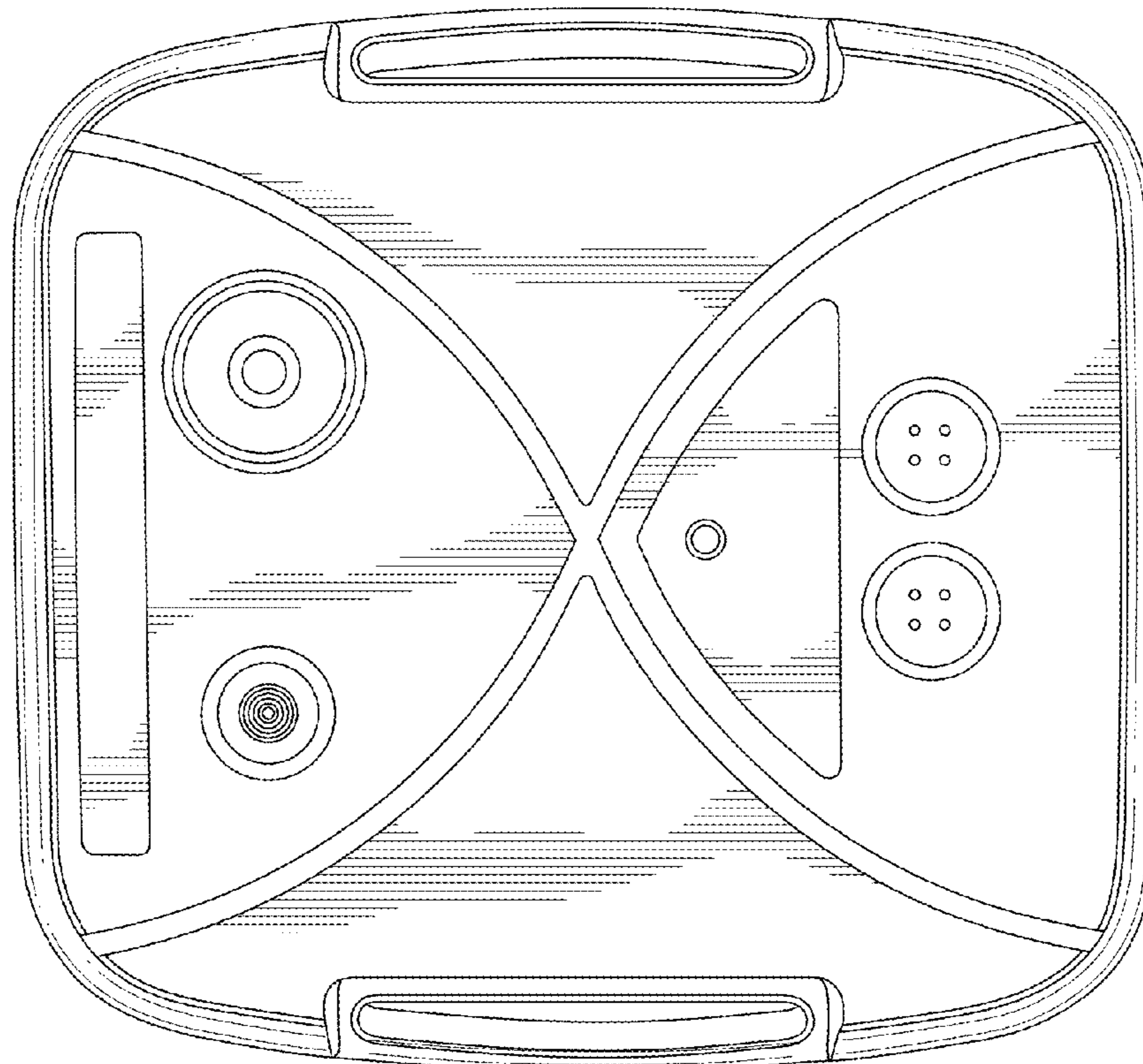
(57) **CLAIM**

The ornamental design for a smartbox, as shown and described.

DESCRIPTION

FIG. 1 is a front elevational view of a smartbox showing my new design;
 FIG. 2 is a rear elevational view thereof;
 FIG. 3 is a first side view thereof;
 FIG. 4 is a second side view thereof;
 FIG. 5 is a first perspective end view thereof; and,
 FIG. 6 is a second perspective end view thereof.

1 Claim, 6 Drawing Sheets



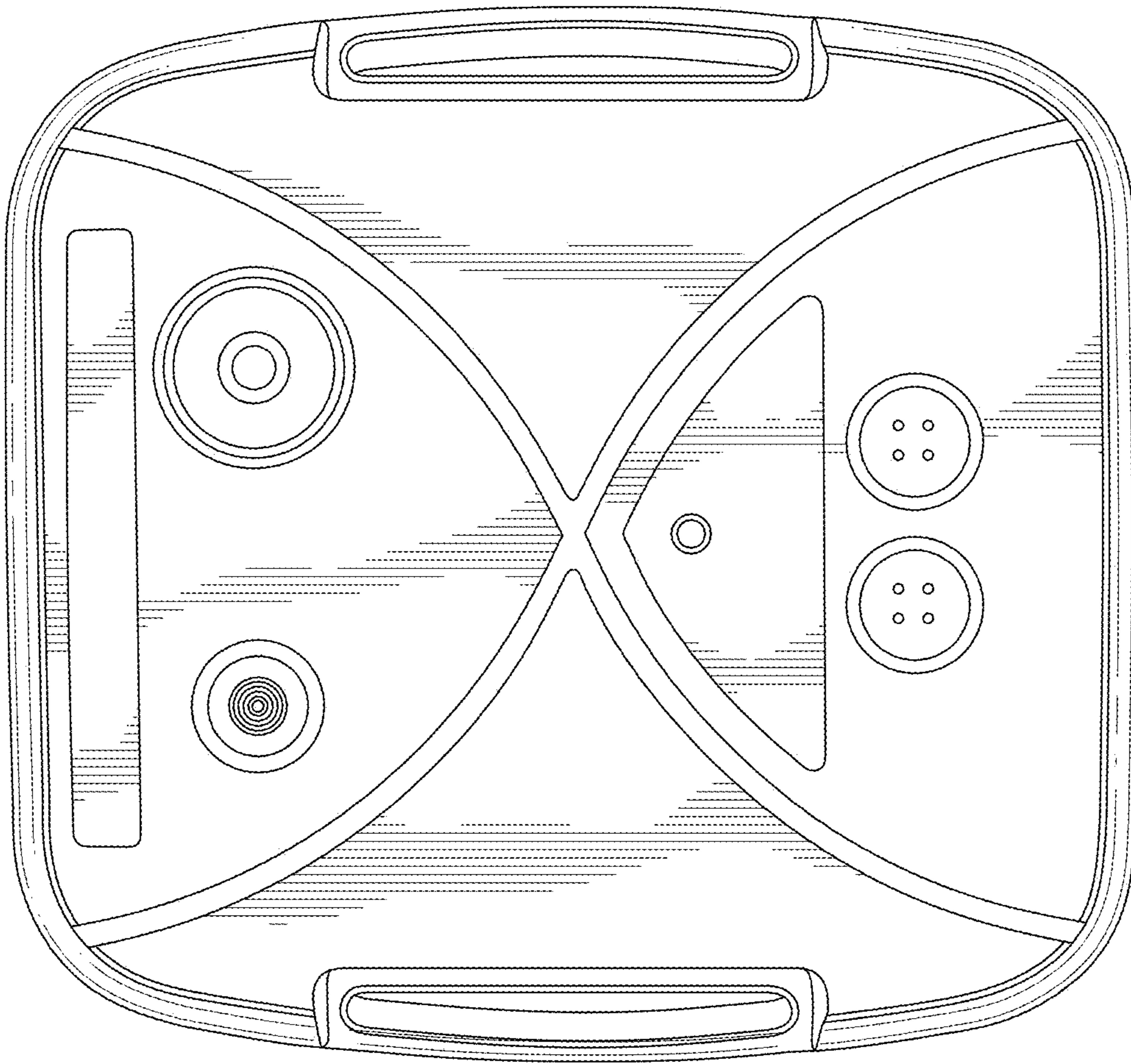


FIG. 1

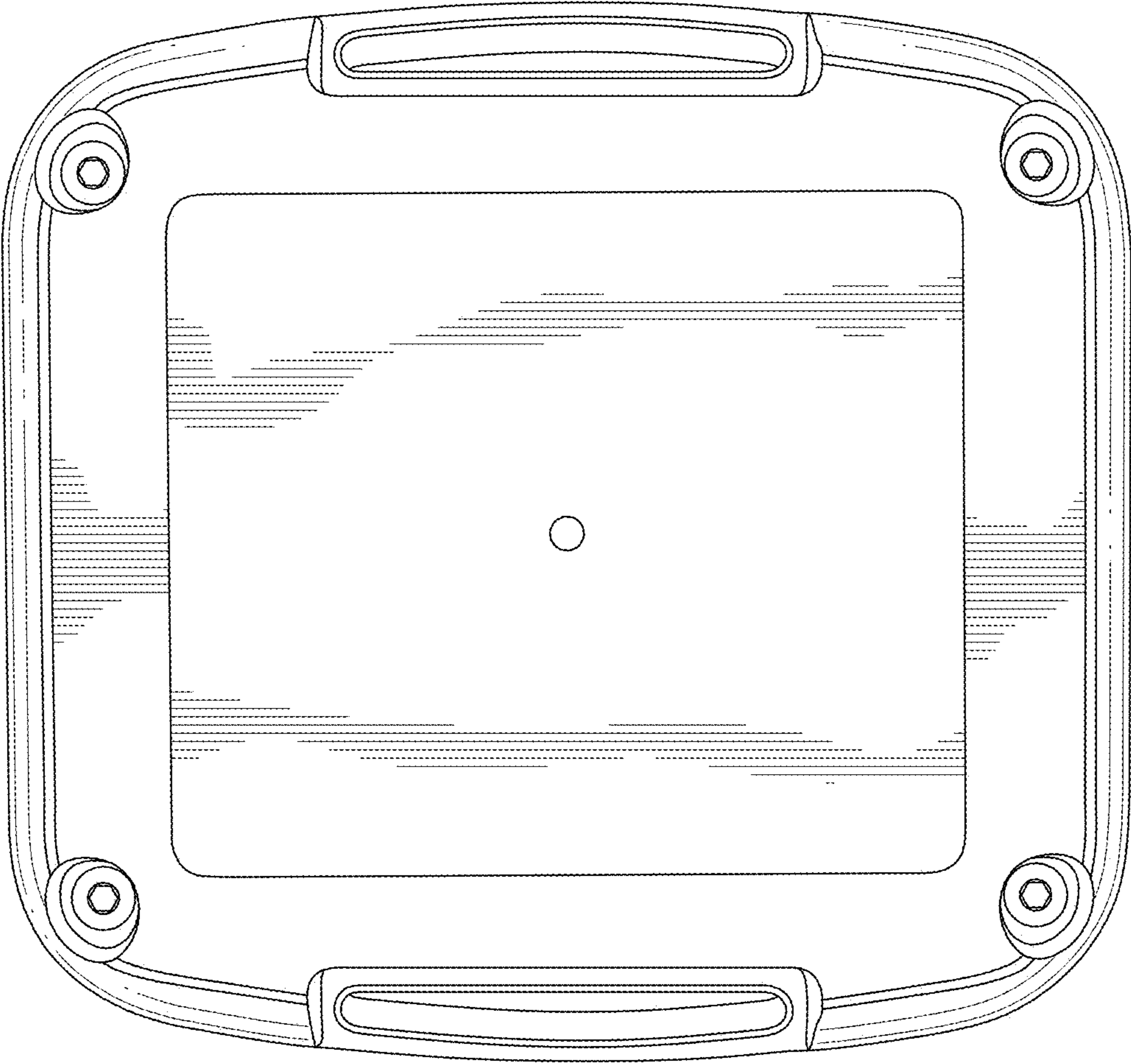


FIG.2

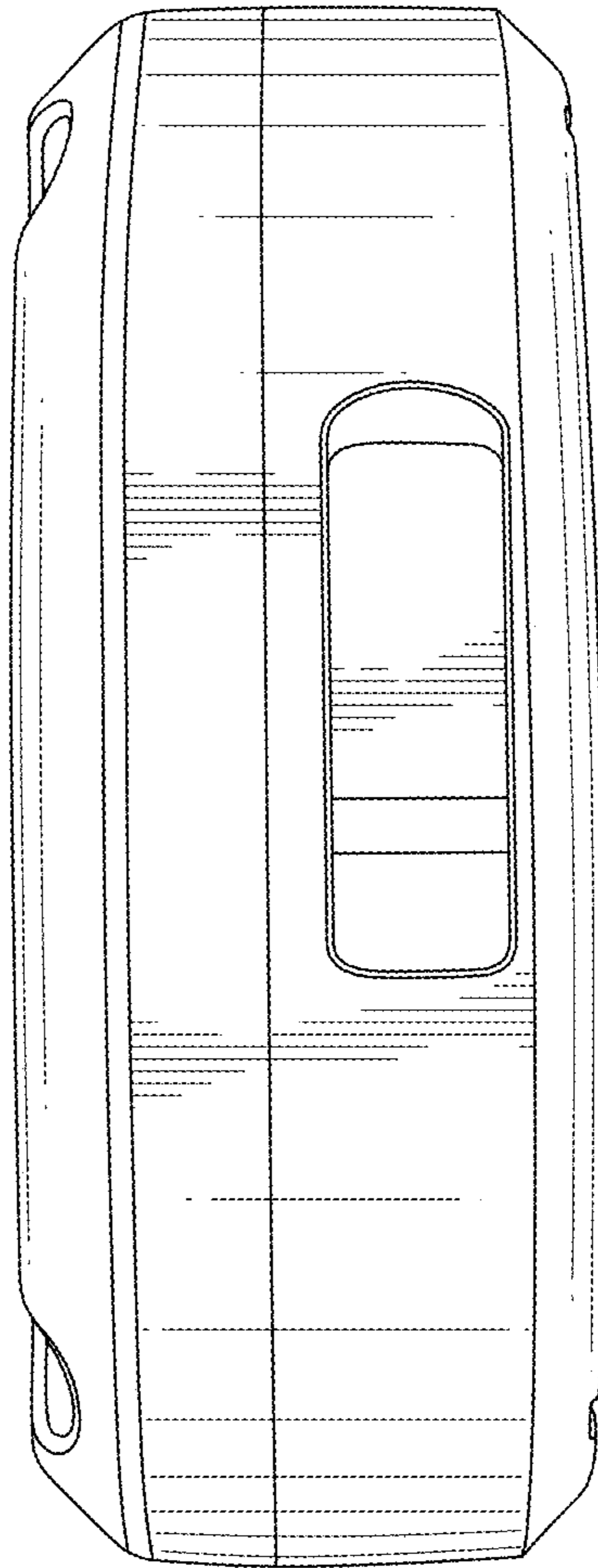


FIG. 3

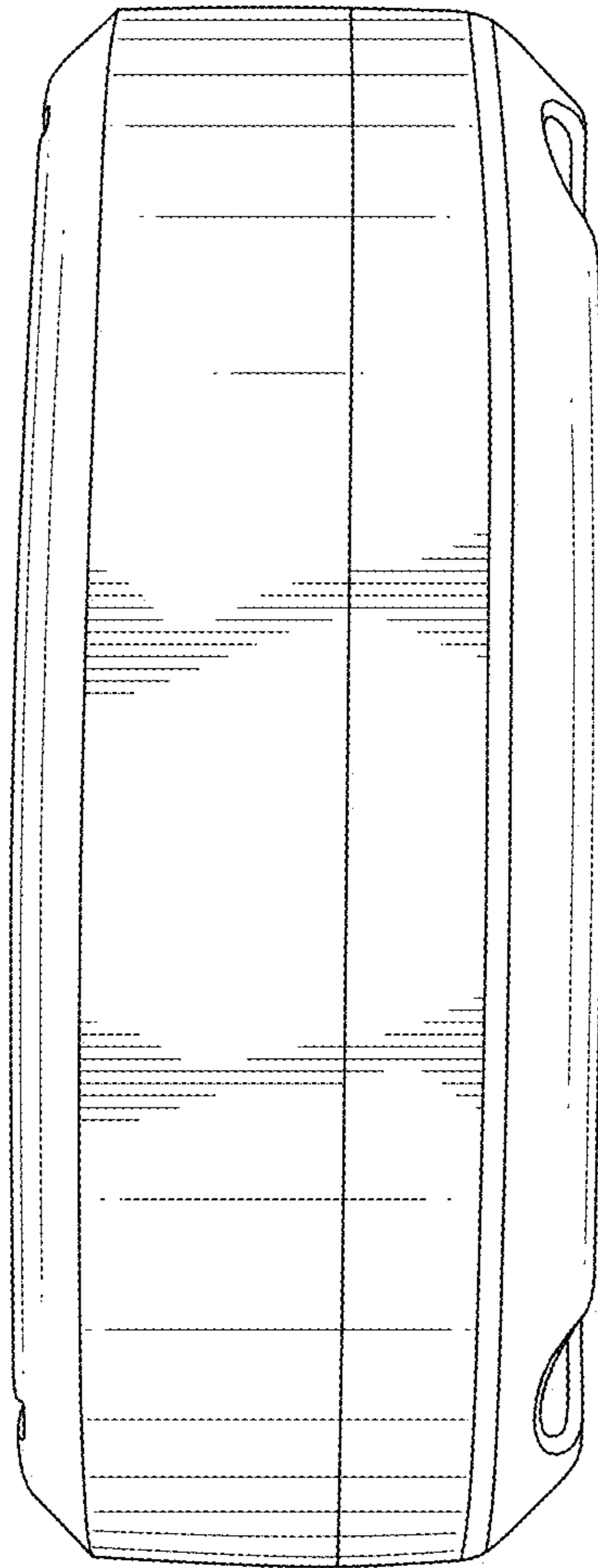


FIG.4

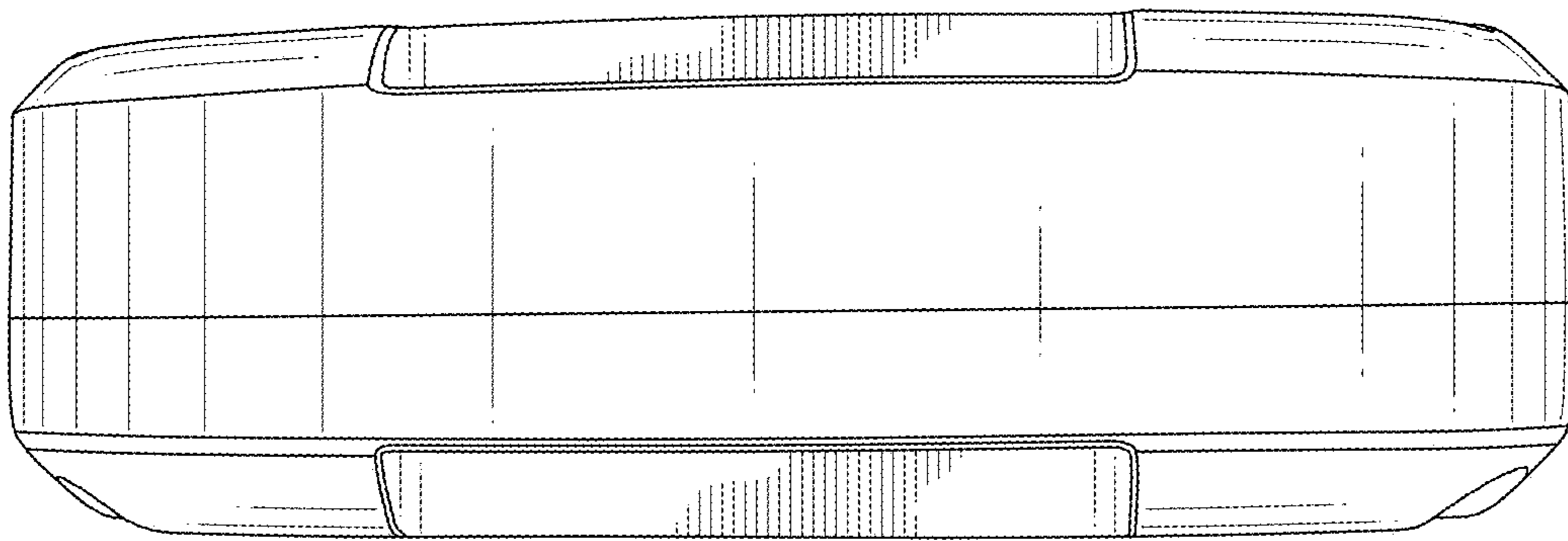


FIG.5

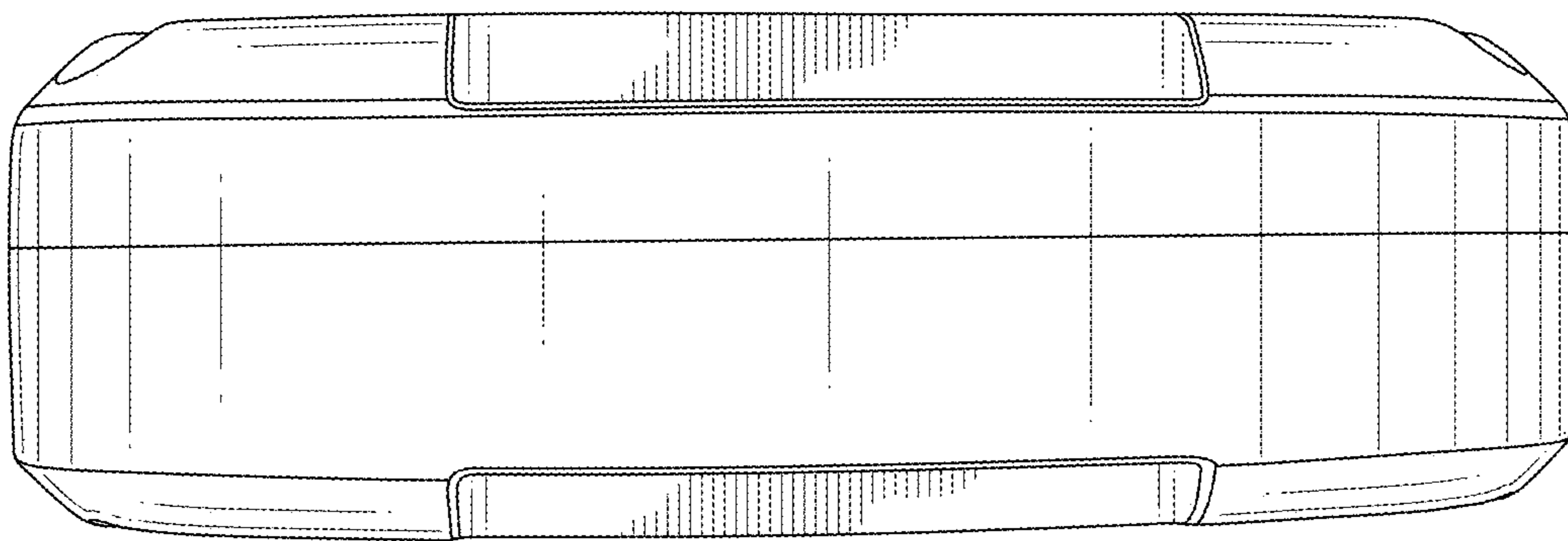


FIG. 6