



US00D938418S

(12) **United States Design Patent** (10) **Patent No.:** **US D938,418 S**
Zhang et al. (45) **Date of Patent:** **** Dec. 14, 2021**

(54) **HARD DISK CASE**
(71) Applicant: **UGREEN GROUP LIMITED**,
Shenzhen (CN)
(72) Inventors: **Qingsen Zhang**, Shenzhen (CN);
Junling Chen, Shenzhen (CN); **Sinan**
Lin, Shenzhen (CN)
(**) Term: **15 Years**
(21) Appl. No.: **29/744,739**
(22) Filed: **Jul. 31, 2020**
(51) **LOC (13) Cl.** **14-02**
(52) **U.S. Cl.**
USPC **D14/348**; D14/365
(58) **Field of Classification Search**
USPC D14/348–370, 383–385, 432, 433, 435,
D14/436, 474, 480, 440, 498, 500, 502,
D14/300–302, 314, 125, 135, 155, 496,
D14/240–242, 299, 203.1, 203.3, 214;
D13/103, 107, 108, 184, 199; D3/276,
D3/294; D10/46, 49, 75, 104.1
CPC ... G11B 33/027; G11B 33/122; G11B 33/124;
G11B 33/00; G11B 33/02; G11B 33/022;
G11B 33/025; H05K 5/00; H05K 5/0213;
H05K 7/00; H05K 7/1427; G06F 1/187
See application file for complete search history.

8,215,983 B2 * 7/2012 Obata H05K 5/0247
439/528
D682,196 S * 5/2013 Leung D13/103
D682,197 S * 5/2013 Leung D13/103
D686,206 S * 7/2013 Wu D14/358
D722,961 S * 2/2015 Lin D13/108
D733,713 S * 7/2015 Shim D14/435
D740,808 S * 10/2015 Kono D14/365
D742,312 S * 11/2015 Gupta D13/108
D749,577 S * 2/2016 Lin D14/357
D764,404 S * 8/2016 Lau D13/103
D808,392 S * 1/2018 Bo D14/433

(Continued)

OTHER PUBLICATIONS

Data transmission and storage devices—(Design—© Questel) orbit.
com. [online PDF of Foreign references] 54 pgs. Print Dates range
Jan. 31, 1995-May 3, 2021. [Retrieved Oct. 8, 2021] <https://www.orbit.com/export/QPTUJ214/pdf2/4ac90ec2-d64a-4404-854a-04dbdc29b38d-174715.pdf>.*

Primary Examiner — Marie D. Fast Horse

(57) **CLAIM**

The ornamental design for a hard disk case, as shown and described.

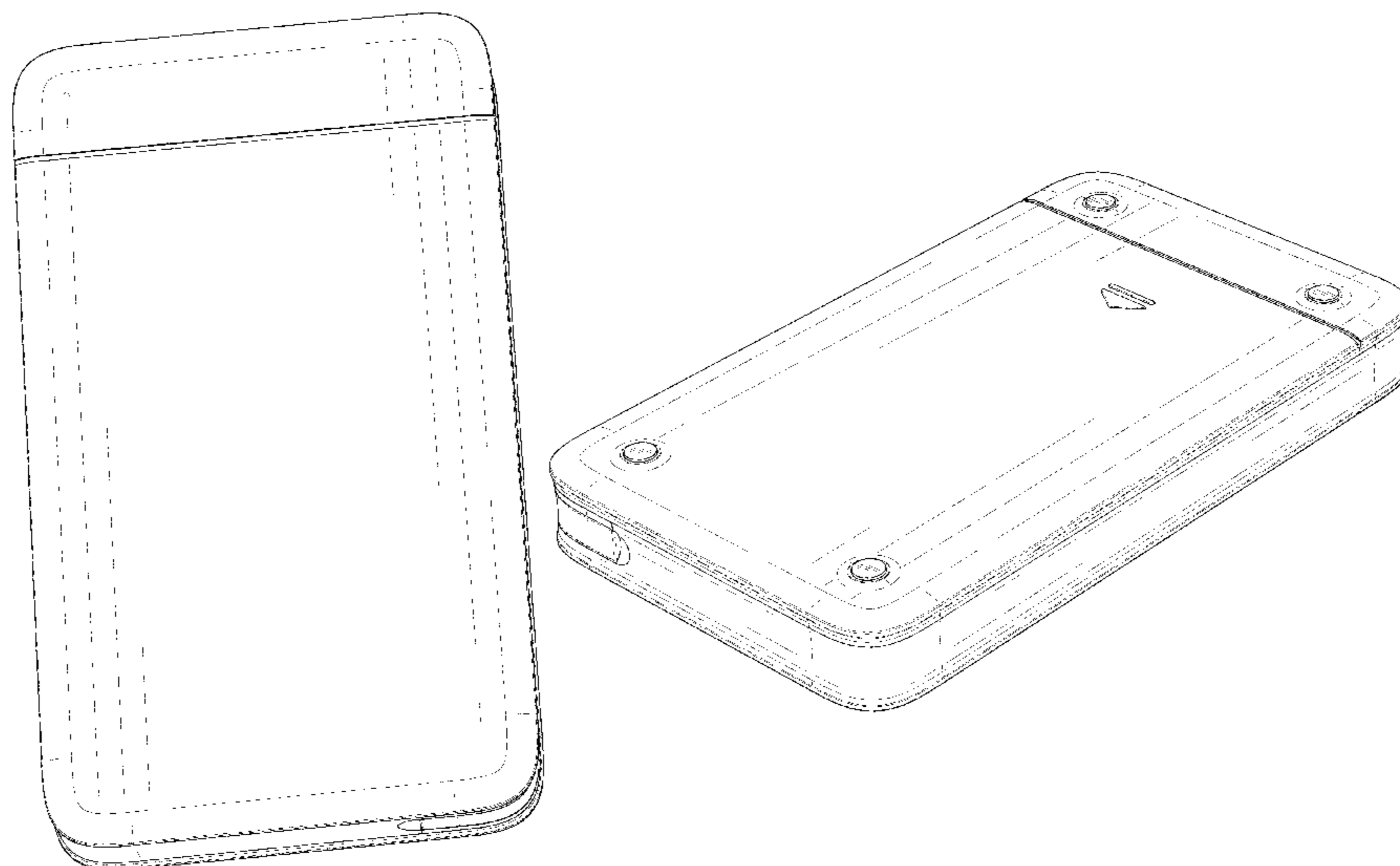
DESCRIPTION

FIG. 1 is a front perspective view of a hard disk case, showing our new design;
FIG. 2 is a rear perspective view thereof;
FIG. 3 is a front elevational view thereof;
FIG. 4 is a rear elevational view thereof;
FIG. 5 is a left side elevational view thereof;
FIG. 6 is a right side elevational view thereof;
FIG. 7 is a top plan view thereof;
FIG. 8 is a bottom plan view thereof; and,
FIG. 9 is a perspective view thereof, showing a USB cable of the hard disk case in an unfolded position.
The broken lines in the figures illustrate portions of the article that form no part of the claimed design.

1 Claim, 9 Drawing Sheets

(56) **References Cited**
U.S. PATENT DOCUMENTS

D383,732 S * 9/1997 Haley D14/435
6,580,605 B1 * 6/2003 Kutaragi H05K 7/1418
361/679.33
D486,814 S * 2/2004 Nakamura D14/167
D532,786 S * 11/2006 Iseki D14/365
D565,568 S * 4/2008 Trifilio D14/356
D565,571 S * 4/2008 Trifilio D14/356
D613,725 S * 4/2010 Chen D14/194
D618,237 S * 6/2010 Wang D14/356
D662,498 S * 6/2012 Morgan D14/356



(56)

References Cited

U.S. PATENT DOCUMENTS

D823,239	S	*	7/2018	Gupta	D13/103
D824,329	S	*	7/2018	Conocenti	D13/108
D828,354	S	*	9/2018	Chuang	D14/433
D853,322	S	*	7/2019	Xu	D13/108
D853,396	S	*	7/2019	Kong	D14/434
D853,959	S	*	7/2019	Miller	D13/108
D880,479	S	*	4/2020	Liao	D14/433
D888,658	S	*	6/2020	Urasini	D13/107
D911,347	S	*	2/2021	Zhang	D14/433
D922,319	S	*	6/2021	Miller	D13/108
D922,379	S	*	6/2021	Huang	D14/348
D922,387	S	*	6/2021	Zhang	D14/433
D923,005	S	*	6/2021	Bi	D14/348
D926,191	S	*	7/2021	Wu	D14/434
2018/0166894	A1	*	6/2018	Miller	B41J 29/393

* cited by examiner

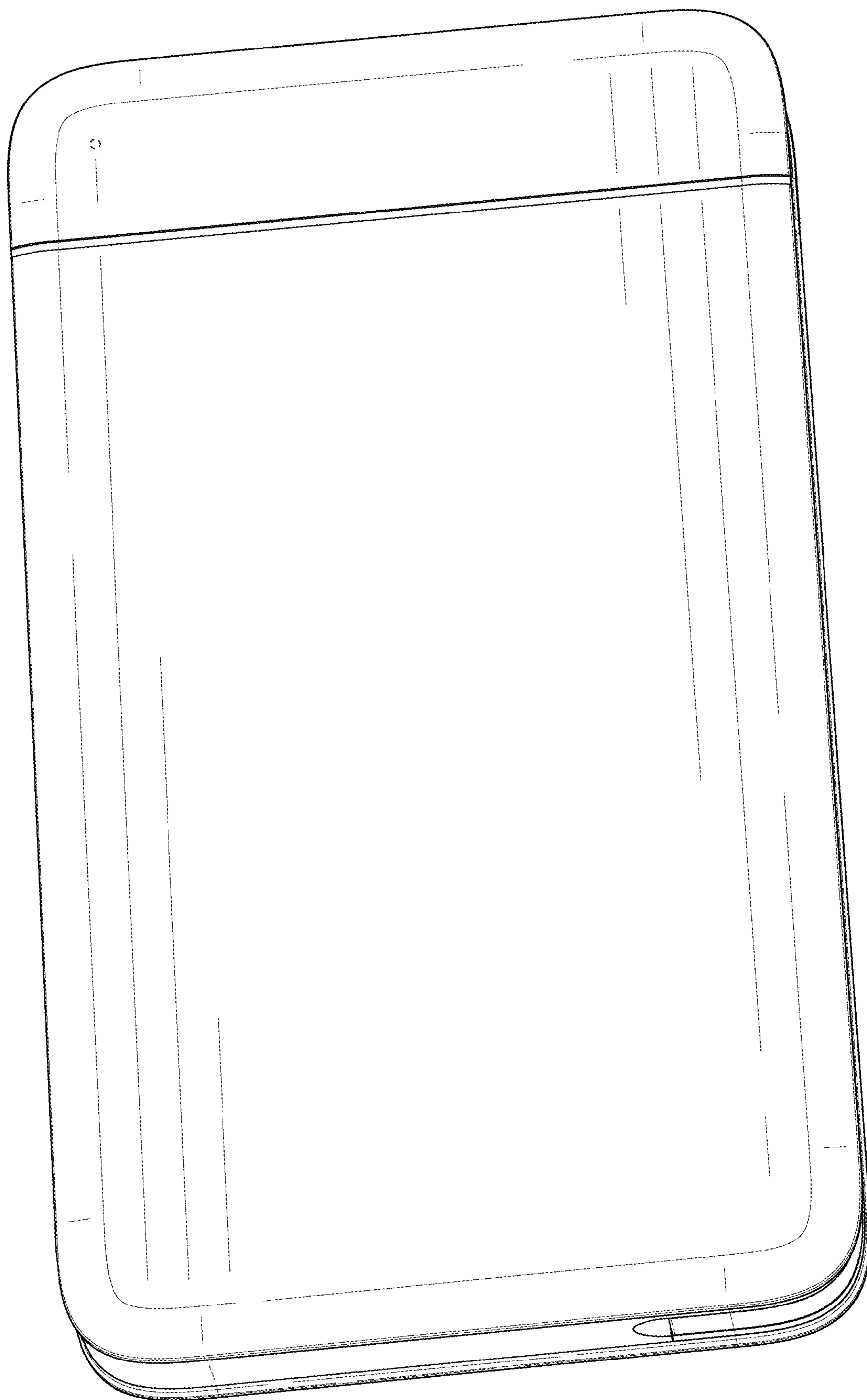


FIG. 1

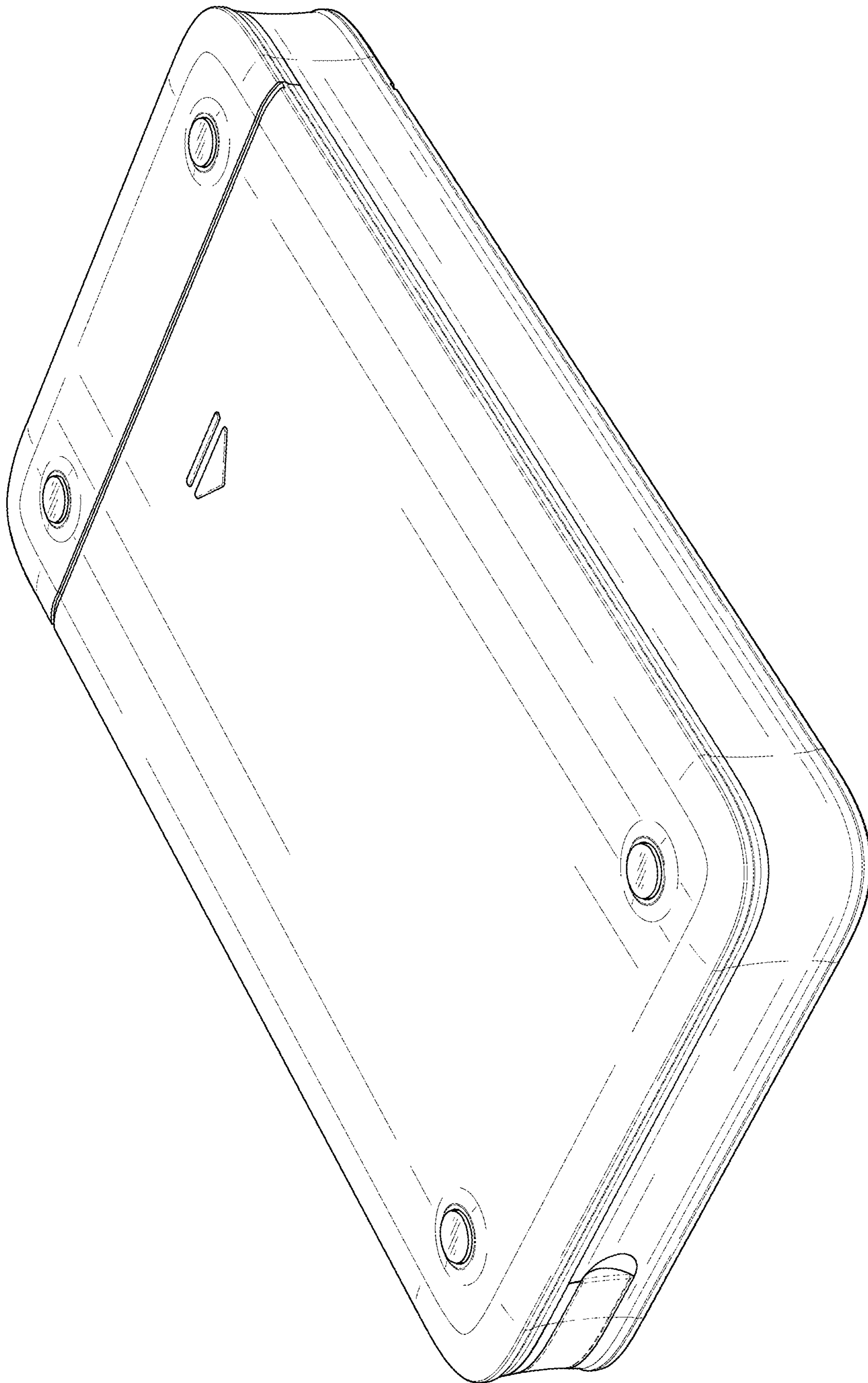


FIG. 2

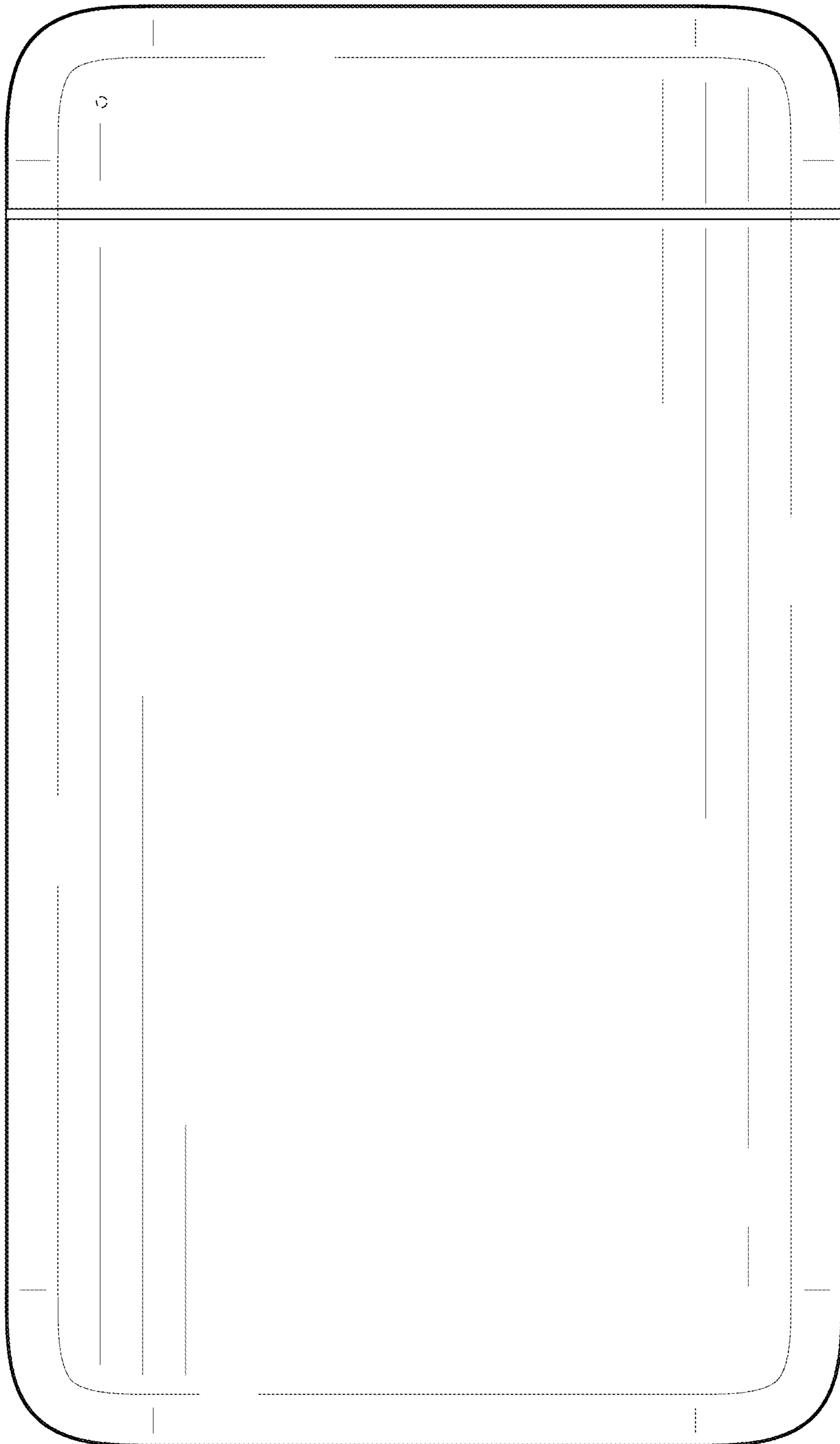


FIG. 3

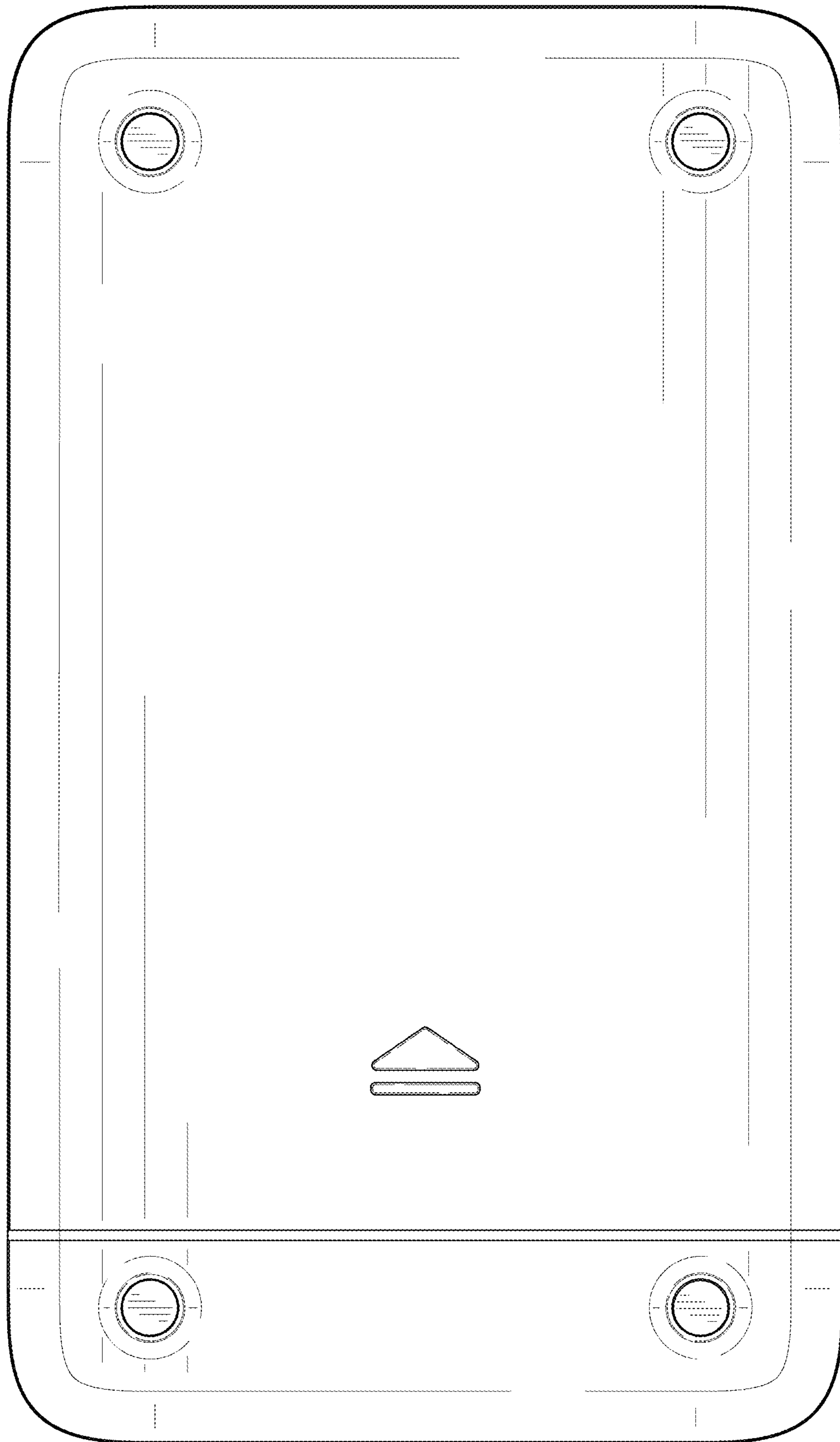


FIG. 4

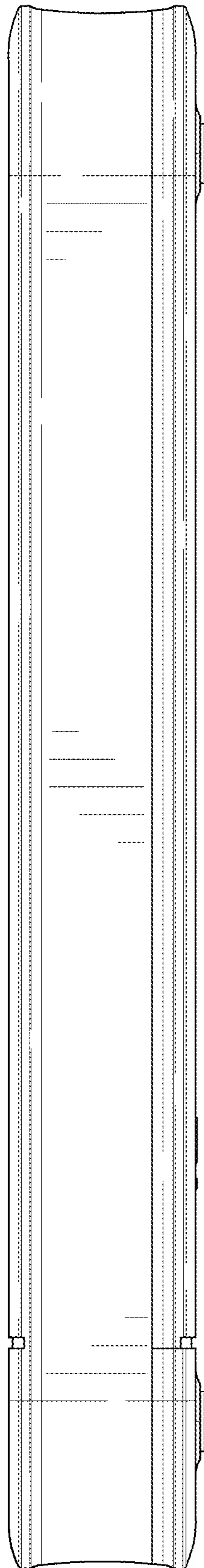


FIG. 5

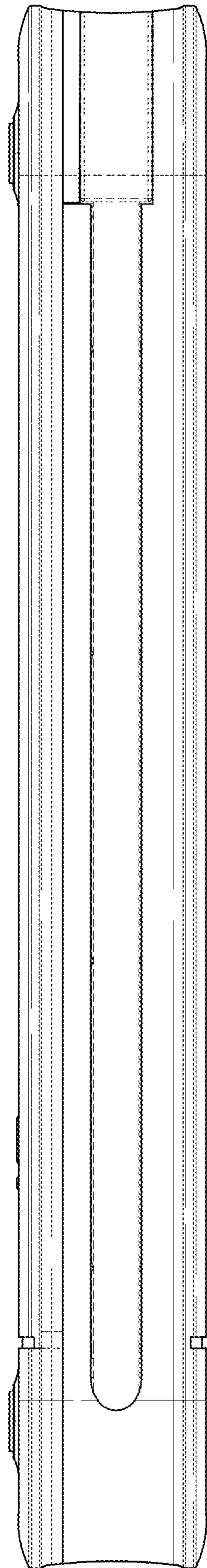


FIG. 6

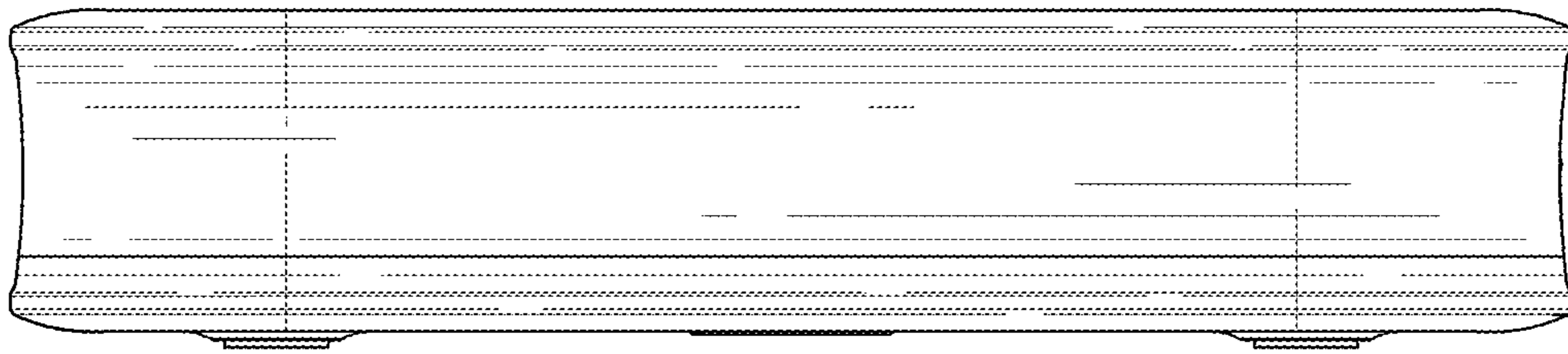


FIG. 7

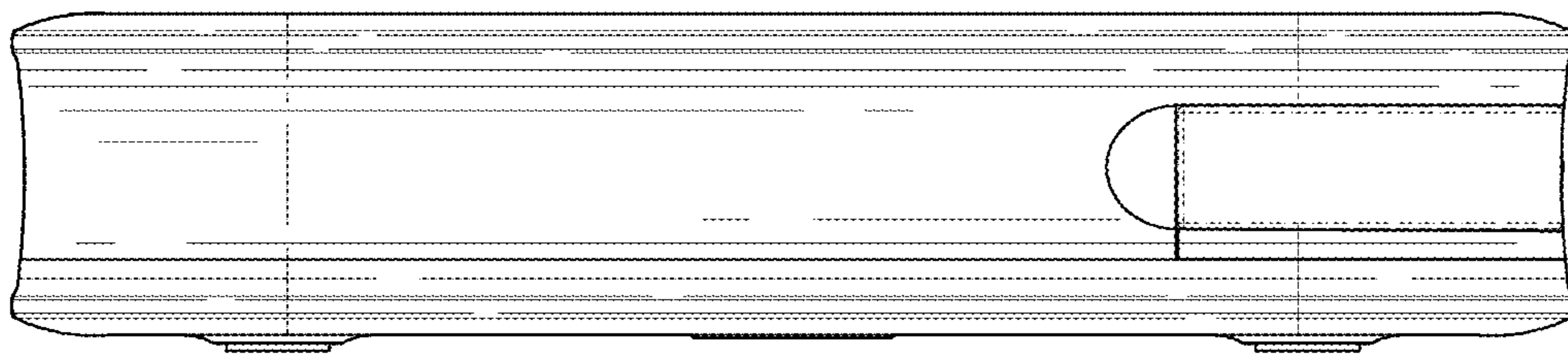


FIG. 8

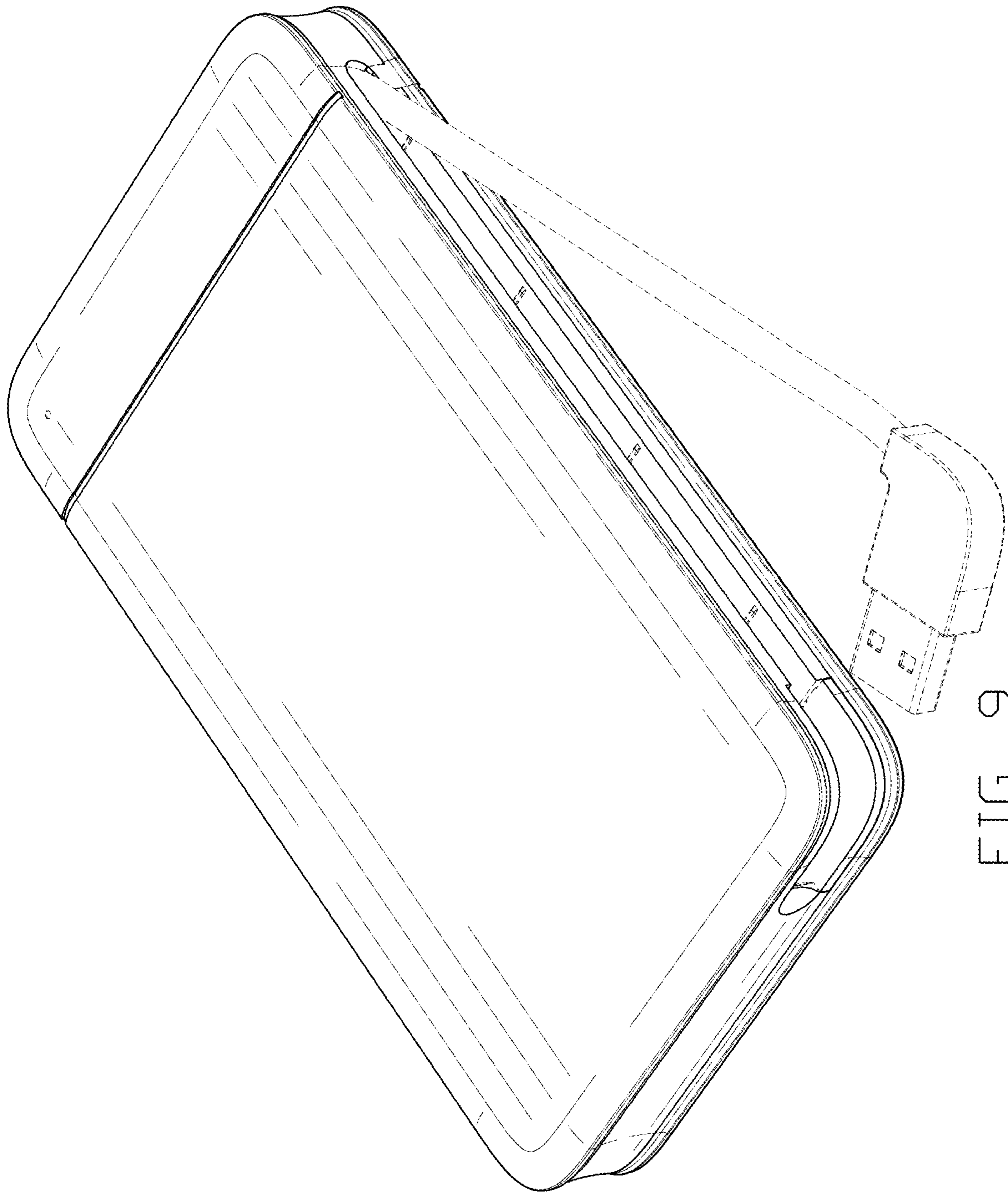


FIG. 9