



US00D938416S

(12) **United States Design Patent** (10) **Patent No.:** **US D938,416 S**
King et al. (45) **Date of Patent:** **** Dec. 14, 2021**

(54) **WRISTBAND**

(71) Applicants: **Zepp, Inc.**, Cupertino, CA (US); **Anhui Huami Information Technology Co., Ltd.**, Hefei (CN)

(72) Inventors: **Albert Wenfu King**, Cupertino, CA (US); **Pengtao Yu**, Cupertino, CA (US); **Zhijun Liao**, Anhui (CN)

(73) Assignees: **Zepp, Inc.**, Cupertino, CA (US); **Anhui Huami Information Technology Co., Ltd.**, Hefei (CN)

(**) Term: **15 Years**

(21) Appl. No.: **29/732,061**

(22) Filed: **Apr. 21, 2020**

(51) **LOC (13) Cl.** **14-02**

(52) **U.S. Cl.**
USPC **D14/344**

(58) **Field of Classification Search**
USPC ... D14/126–130, 138, 138 R, 144, 300, 341, D14/344, 358, 388, 485–495, 218; D10/30–39, 40, 41, 46, 70, 79, 98, 106.5, D10/106.6, 106.92, 106.94, 114.6, 123, D10/125–128, 131; D11/1–4, 26, 40–41, D11/93, 94, 78.1, 79, 86; D24/167–169, D24/186–187, 164; D21/324–329
CPC A41D 1/002; A41D 19/0034; G06F 1/08; G06F 1/10; G06F 1/14; G06F 1/1626; G06F 1/1628; G06F 1/163; G06F 1/1635; G06F 1/3203; G06F 1/1613; G06F 2200/1633; G06F 3/0488; G06F 3/04886; G06F 3/044; G06F 3/0412; G06F 3/0416; G06F 1/3215; G06F 2203/04102; G06Q 20/10; G06Q 20/12; G06Q 20/108; G06Q 20/145; H04B 1/3833; H04B 1/385; H04B 1/3888; H04M 1/02; H04M 1/03; H04M 1/04; H04M 1/05; H04M 1/667; H04M 1/6058; Y02B 60/1217; A44C 5/0007; A44C 5/0015; A44C 5/0023; A44C 5/0084

See application file for complete search history.

(56) **References Cited**

U.S. PATENT DOCUMENTS

D826,763 S * 8/2018 Chuang D11/3
D833,625 S * 11/2018 Guan D24/186
D840,041 S * 2/2019 Li D24/186
D840,043 S * 2/2019 Li D24/186
D841,171 S * 2/2019 Li D24/186

(Continued)

OTHER PUBLICATIONS

Gonoker M4 Smart Wristband, www.gearbest.com, [online], [site visited Jan. 15, 2021], Available from internet URL: https://www.gearbest.com/smart-watches/pp_3008078871085624.html (Year: 2021).*

(Continued)

Primary Examiner — Samantha Q Lawrence

Assistant Examiner — Holly M Rodriguez

(74) *Attorney, Agent, or Firm* — Young Basile Hanlon & MacFarlane, P.C.

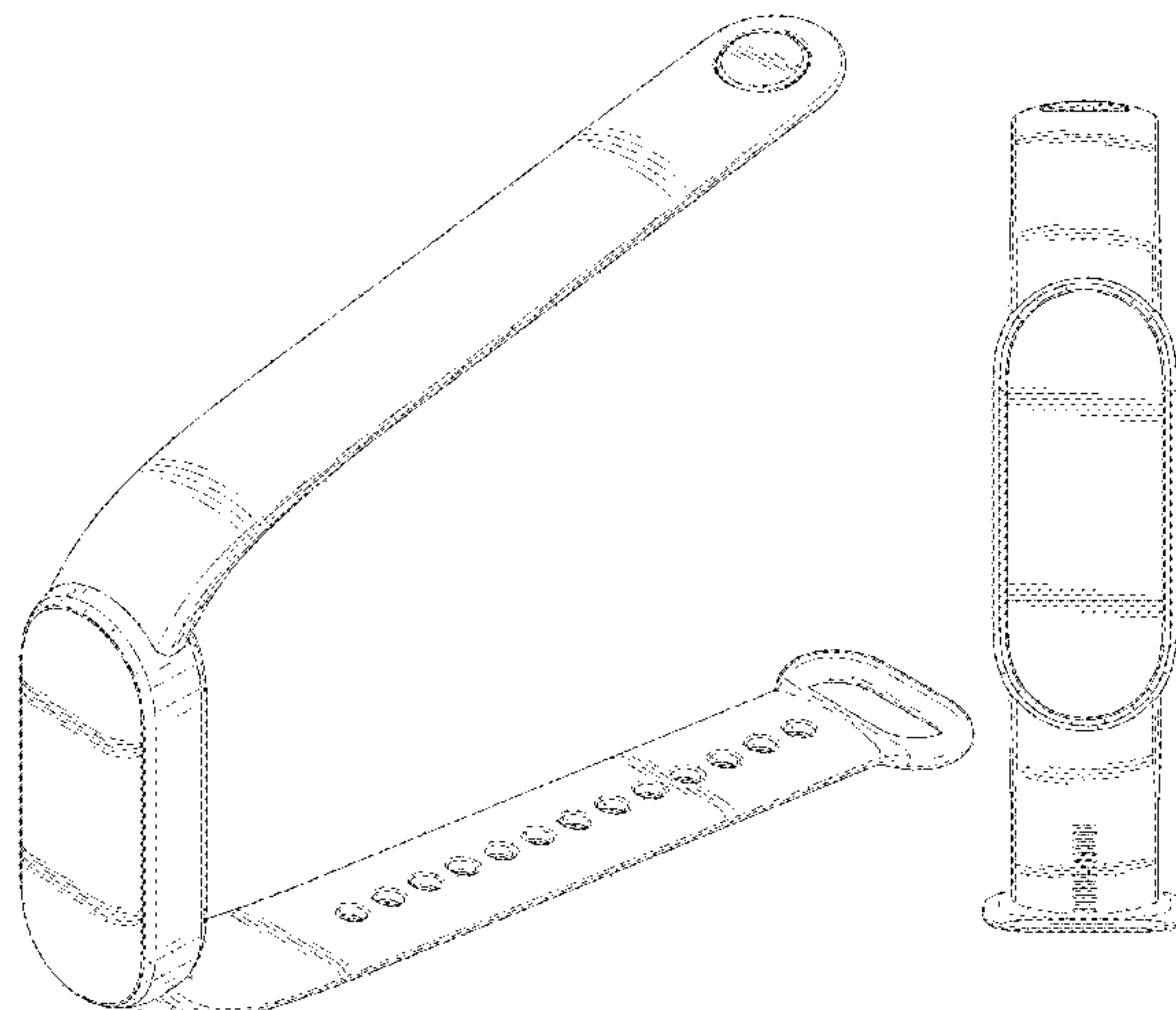
(57) **CLAIM**

The ornamental design for a wristband, as shown and described.

DESCRIPTION

FIG. 1 is a top, front, and right perspective view of the wristband showing our new design;
FIG. 2 is a front view of the wristband of FIG. 1;
FIG. 3 is a rear view of the wristband of FIG. 1;
FIG. 4 is a right side view of the wristband of FIG. 1;
FIG. 5 is a left side view of the wristband of FIG. 1;
FIG. 6 is a top view of the wristband of FIG. 1; and,
FIG. 7 is a bottom view of the wristband of FIG. 1.
The broken lines shown in FIG. 1-7 illustrate portions of the wristband that form no part of the claimed design.

1 Claim, 5 Drawing Sheets



(56)

References Cited

U.S. PATENT DOCUMENTS

D861,677 S * 10/2019 Wu D14/344
D893,473 S * 8/2020 Bihan D14/344
D902,203 S * 11/2020 Choplin D14/344
D916,081 S * 4/2021 Zou D14/344
2016/0062410 A1* 3/2016 Ko G06F 1/1652
361/679.03

OTHER PUBLICATIONS

Xiaomi Mi Band 5 Smart Wristband , first available Jul. 1, 2020, amazon.com, [online], [site visited Jun. 15, 2021], Available from internet URL: https://www.amazon.com/Xiaomi-Band-Wristband-Magnetic-Bluetooth/dp/B089NS9JW2/ref=psdc_5393958011_t3_B08DKYLK4D (Year: 2020).*

Amazfit Band 5 Fitness Tracker, first available Sep. 21, 2020, amazon.com, [online], [site visited Jan. 21, 2021], Available from internet URL: https://www.amazon.com/Amazfit-Fitness-Monitoring-Tracking-Resistant/dp/B08DKYLK4D/ref=pd_di_sccai_6/141-9084097-5617007?_encoding=UTF%E2%80%A6 (Year: 2020).*

* cited by examiner

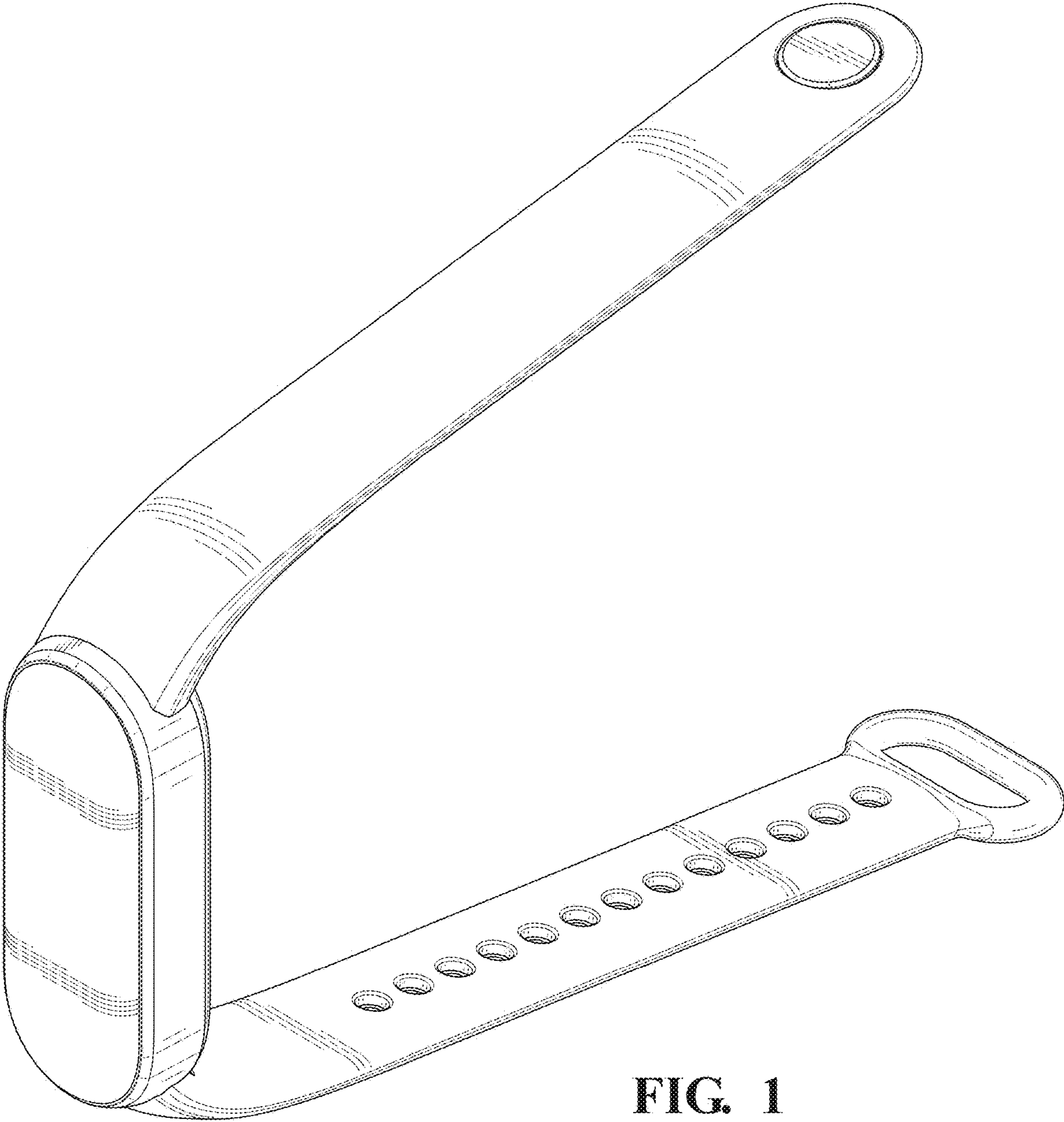


FIG. 1

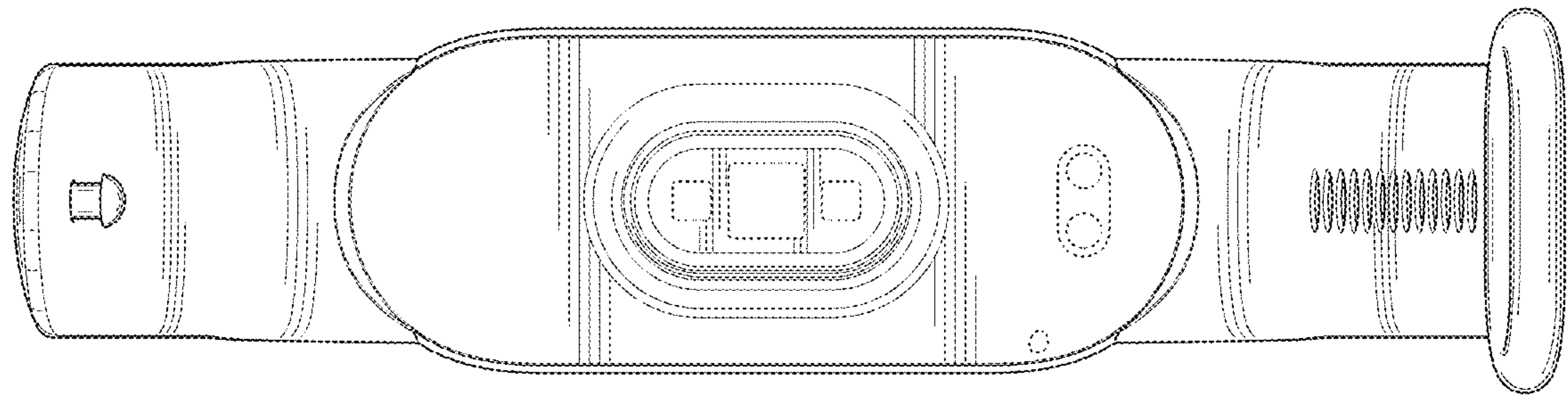


FIG. 3

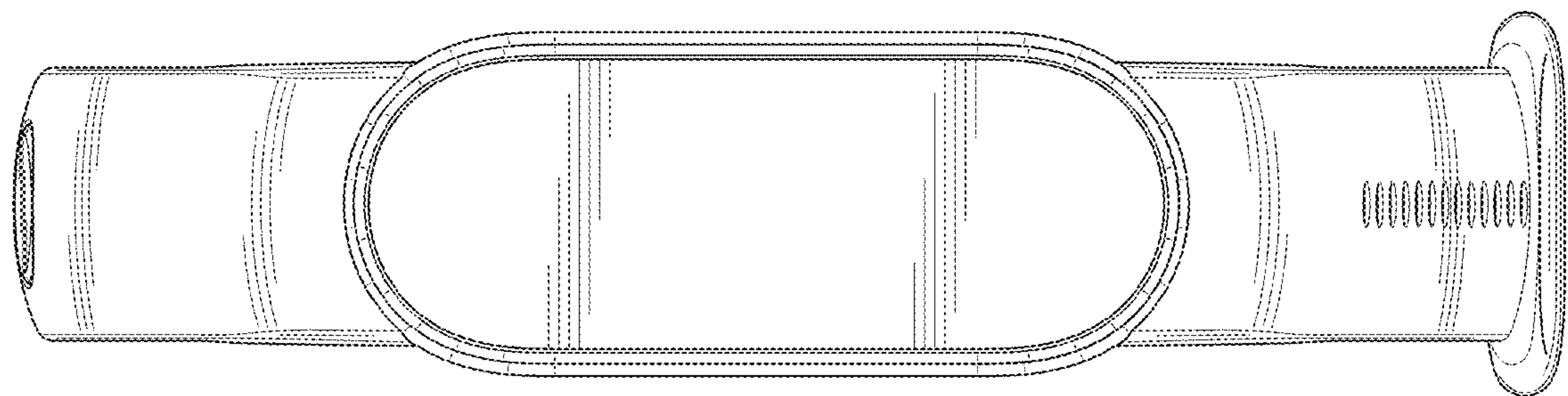


FIG. 2

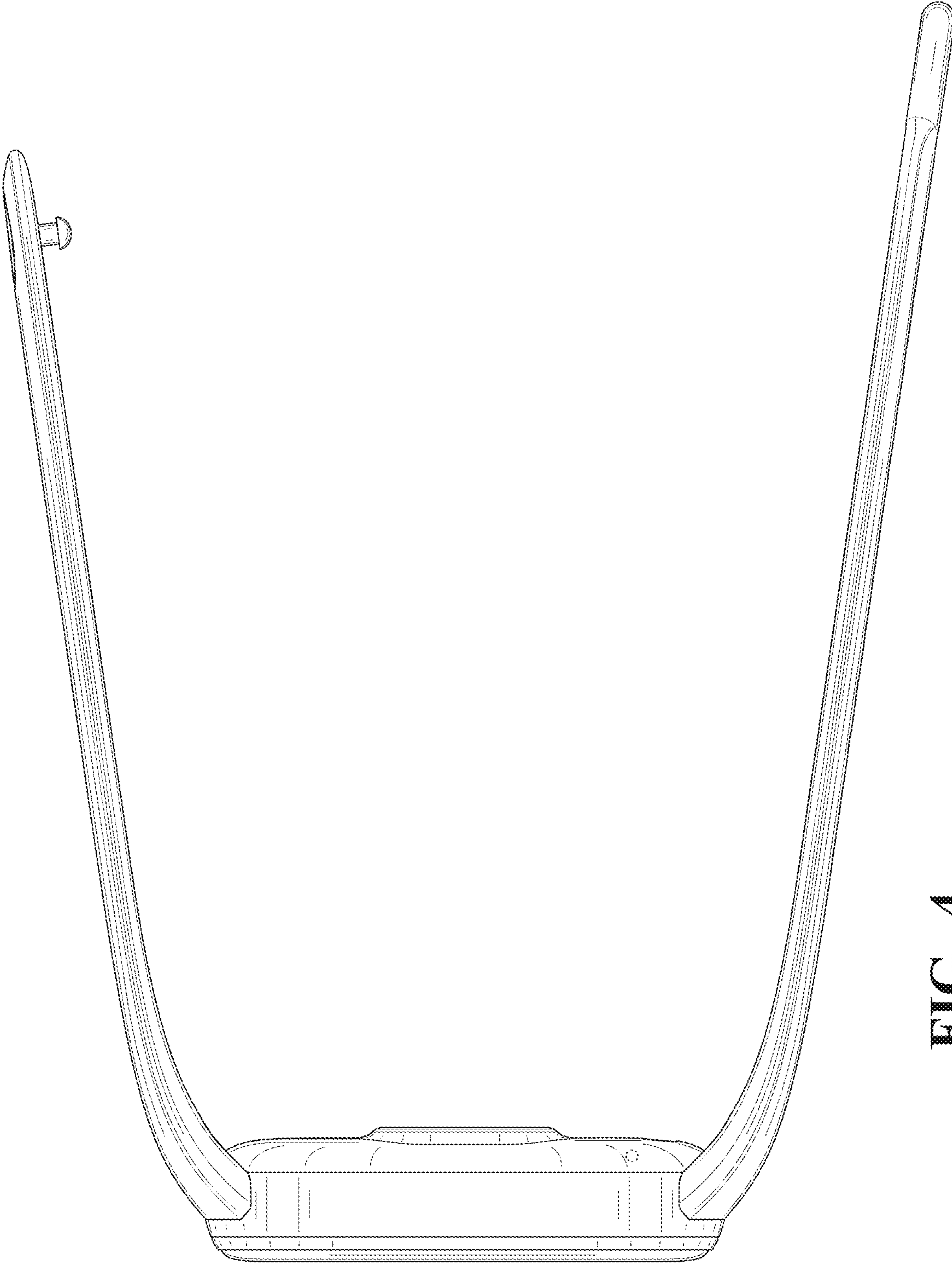


FIG. 4

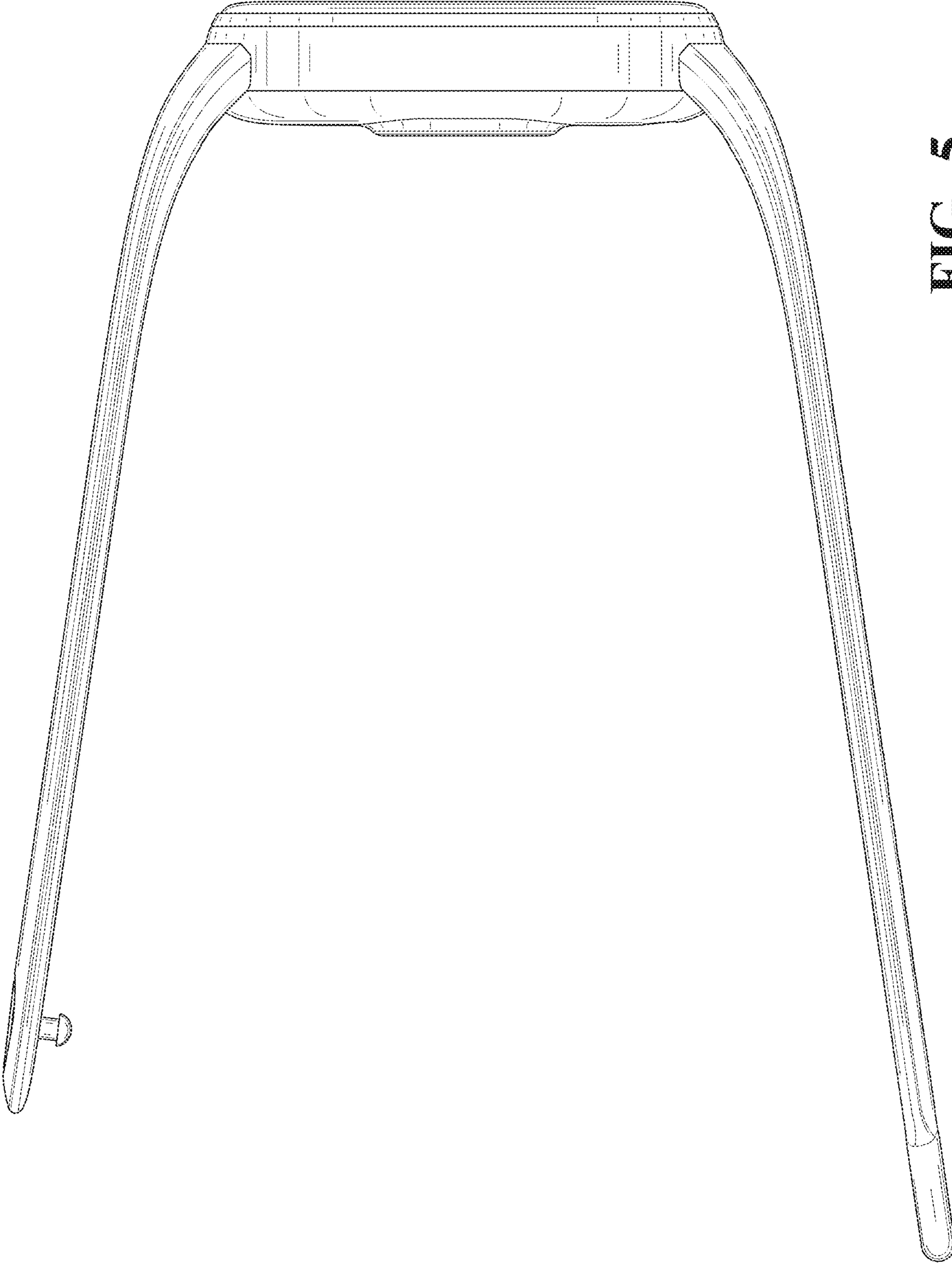


FIG. 5

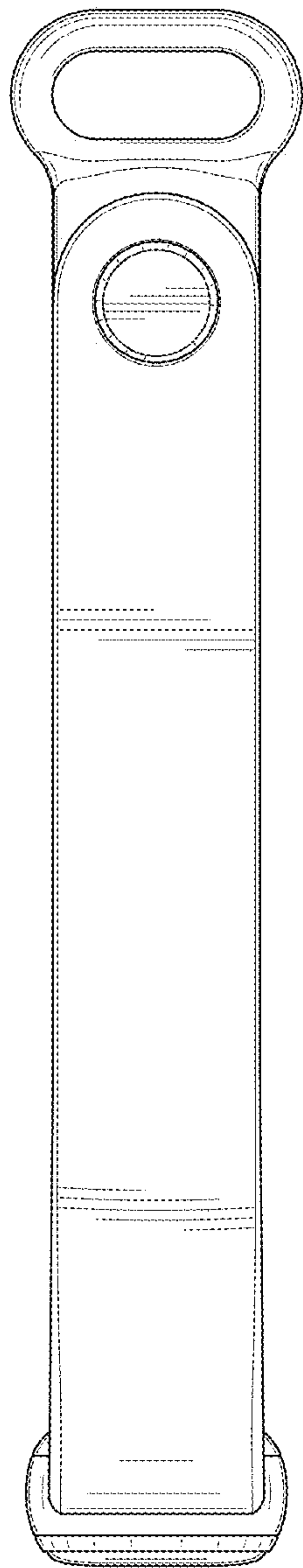


FIG. 6

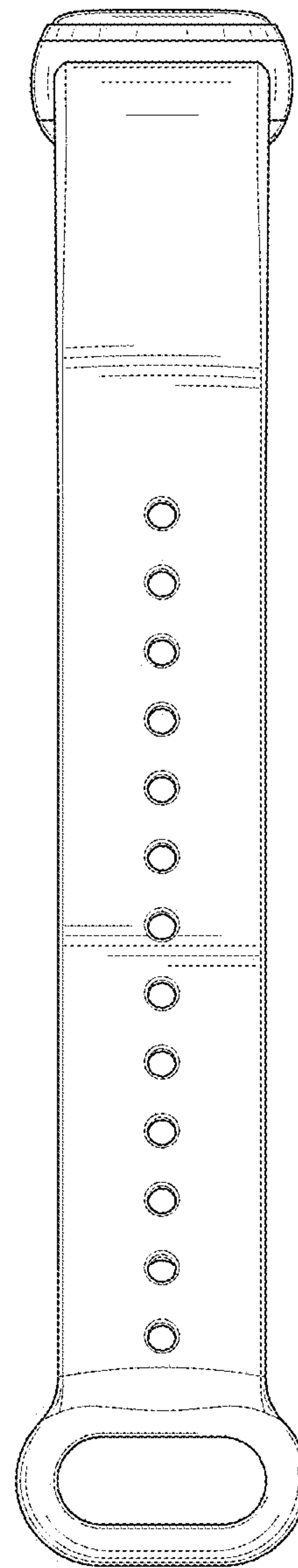


FIG. 7