



US00D938415S

(12) **United States Design Patent**
Glynn

(10) **Patent No.:** **US D938,415 S**

(45) **Date of Patent:** **** Dec. 14, 2021**

(54) **WEARABLE DEVICE CORE AND HOLDER**

(71) Applicant: **Gabriel Glynn**, Ankeny, IA (US)

(72) Inventor: **Gabriel Glynn**, Ankeny, IA (US)

(73) Assignee: **MAKUSAFE CORP.**, West Des Moines, IA (US)

(**) Term: **15 Years**

(21) Appl. No.: **29/730,702**

(22) Filed: **Apr. 7, 2020**

Related U.S. Application Data

(63) Continuation of application No. 16/689,303, filed on Nov. 20, 2019, now Pat. No. 11,030,875, which is a (Continued)

(51) **LOC (13) Cl.** **14-02**

(52) **U.S. Cl.**
USPC **D14/344**

(58) **Field of Classification Search**
USPC D14/432-343, 357, 344, 140, 496, 401, D14/435, 474, 483, 209.1, 137, 138, (Continued)

(56) **References Cited**

U.S. PATENT DOCUMENTS

D654,462 S * 2/2012 Nara D14/138 G
8,140,131 B1 * 3/2012 Green H04B 1/385
455/575.1

(Continued)

OTHER PUBLICATIONS

Makusafe, surfaceink.com/, [online], [site visited Jul. 23, 2021], Available from internet URL: <https://surfaceink.com/portfolio-item/makusafe-industrial-iot/> (Year: 2021).*

(Continued)

Primary Examiner — Samantha Q Lawrence

Assistant Examiner — Holly M Rodriguez

(74) *Attorney, Agent, or Firm* — Christopher A. Proskey; BrownWinick Law Firm

(57) **CLAIM**

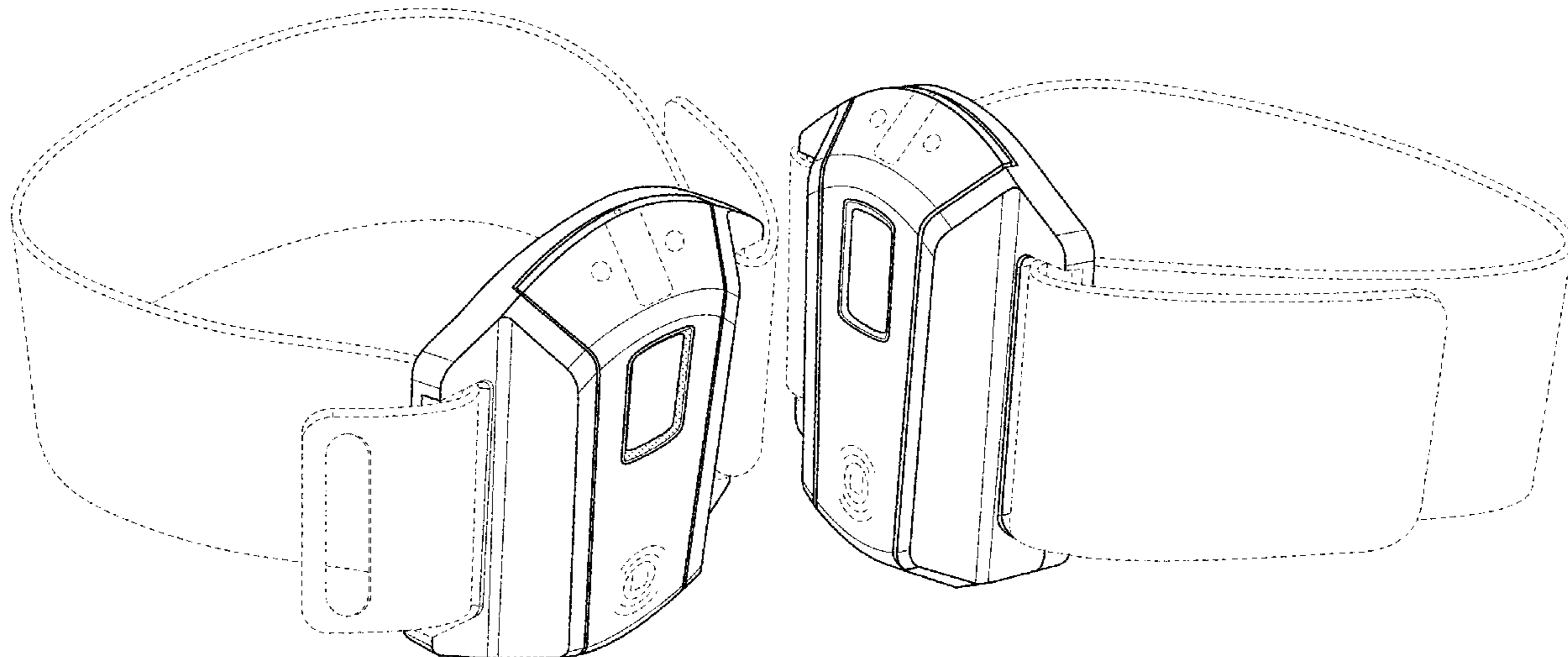
I claim the ornamental design for wearable device core and holder, substantially as shown and described.

DESCRIPTION

FIG. 1 is a top-front perspective view of a wearable device core and holder with a band connected to the holder; FIG. 2 is another top-front perspective view of a wearable device core and holder with a band connected to the holder; FIG. 3 is a front elevational view of a wearable device core and holder with a band connected to the holder; FIG. 4 is another front elevational view of a wearable device core and holder; FIG. 5 is a top elevational view of a wearable device core and holder; FIG. 6 is a bottom elevational view of a wearable device core and holder; FIG. 7 is a right elevational view of a wearable device core and holder; FIG. 8 is a left elevational view of a wearable device core and holder; FIG. 9 is a front-right perspective view of a wearable device core and holder; and, FIG. 10 is top-left perspective view of a wearable device core and holder.

The broken lines shown in FIGS. 1-10 illustrate portions of the wearable device and holder that form no part of the claimed design. The additional broken lines that show the band in FIGS. 1-3 illustrate environment and form no part of the claimed design.

1 Claim, 8 Drawing Sheets



Related U.S. Application Data

continuation of application No. 16/124,287, filed on Sep. 7, 2018, now Pat. No. 10,522,024, which is a continuation of application No. 15/614,835, filed on Jun. 6, 2017, now Pat. No. 10,096,230.

(58) **Field of Classification Search**

USPC D14/158–160, 168, 356, 203.1–203.8, D14/507, 155, 160–172, 212–218, 257, D14/258, 341, 346, 266, 358, 454–445, D14/192, 221, 127–130, 211, 240, 243, D14/247–249, 251, 299, 329, 455, 206, D14/204, 188, 147–151, 144, 142, 141.1, D14/138 R, 138 AA, 138 AB, 138 G, D14/138 AD; D3/215, 218, 904; D21/517, 333, 331, 566; D24/165, 185, D24/186; D18/1, 7; D10/104, 104.1, D10/106, 65, 78, 104.2, 70, 31–32, D10/38–38, 106.1, 106.3, 106.5; D13/168; D11/3–5, 12, 19, 25; D30/151–152
 CPC H04M 1/00; H04M 1/026; H04M 1/04; H04M 1/6033; H04M 1/6041; H04M 3/02; H04M 3/005; H04M 3/56; H04M 3/564; H04M 3/568; H04M 9/02; H04M 9/022; H04M 9/08; H04M 1/003; H04M 1/02; H04M 1/03; H04M 1/23; H04M 1/233; H04M 1/236; H04M 1/0289; H04M 1/0297; H04M 1/0214; H04M 1/253; H04M 1/2535; H04M 7/006; H04M 1/0202; H04M 1/0295; H04M 1/20; H04M 1/21; H04M 1/22; H04R 1/00; H04R 1/02; H04R 1/403; H04R

1/406; H04N 7/14; H04N 7/142; H04N 7/147; A63H 33/30; A63H 33/3016

See application file for complete search history.

(56)

References Cited

U.S. PATENT DOCUMENTS

D675,946 S * 2/2013 Chan D10/65
 D680,990 S * 4/2013 Hashimoto D14/138 G
 D687,004 S * 7/2013 Behling D14/138 G
 D709,846 S * 7/2014 Oswaks D14/138 R
 D783,021 S * 4/2017 Peel D14/388
 D799,353 S * 10/2017 Qu D10/104.2
 D823,311 S * 7/2018 Oberpriller D14/453
 10,395,160 B2 * 8/2019 Vera Manero G08B 21/0202
 D882,541 S * 4/2020 Xu D14/138 G
 2007/0285258 A1 * 12/2007 Hartman G08B 21/22
 340/573.1
 2008/0139952 A1 * 6/2008 Kuroda A61B 5/4866
 600/508
 2009/0088689 A1 * 4/2009 Carter A61M 5/1424
 604/151
 2010/0298661 A1 * 11/2010 McCombie G16H 50/50
 600/301
 2017/0352242 A1 * 12/2017 Glynn G08B 21/0469

OTHER PUBLICATIONS

The MākuSafe® Hardware Solution, makusafe.com, [online], [site visited Jul. 23, 2021], Available from internet URL: <https://makusafe.com/hardware/> (Year: 2021).*
 He World's 1st Wearable Solution to Prevent Shoulder and Back Injuries, first available Oct. 5, 2020, ohsonline.com, [online], [site visited Jul. 23, 2021], Available from internet URL: <https://ohsonline.com/articles/2020/10/05/the-worlds-1st-wearable-solution-to-prevent.aspx> (Year: 2020).*

* cited by examiner

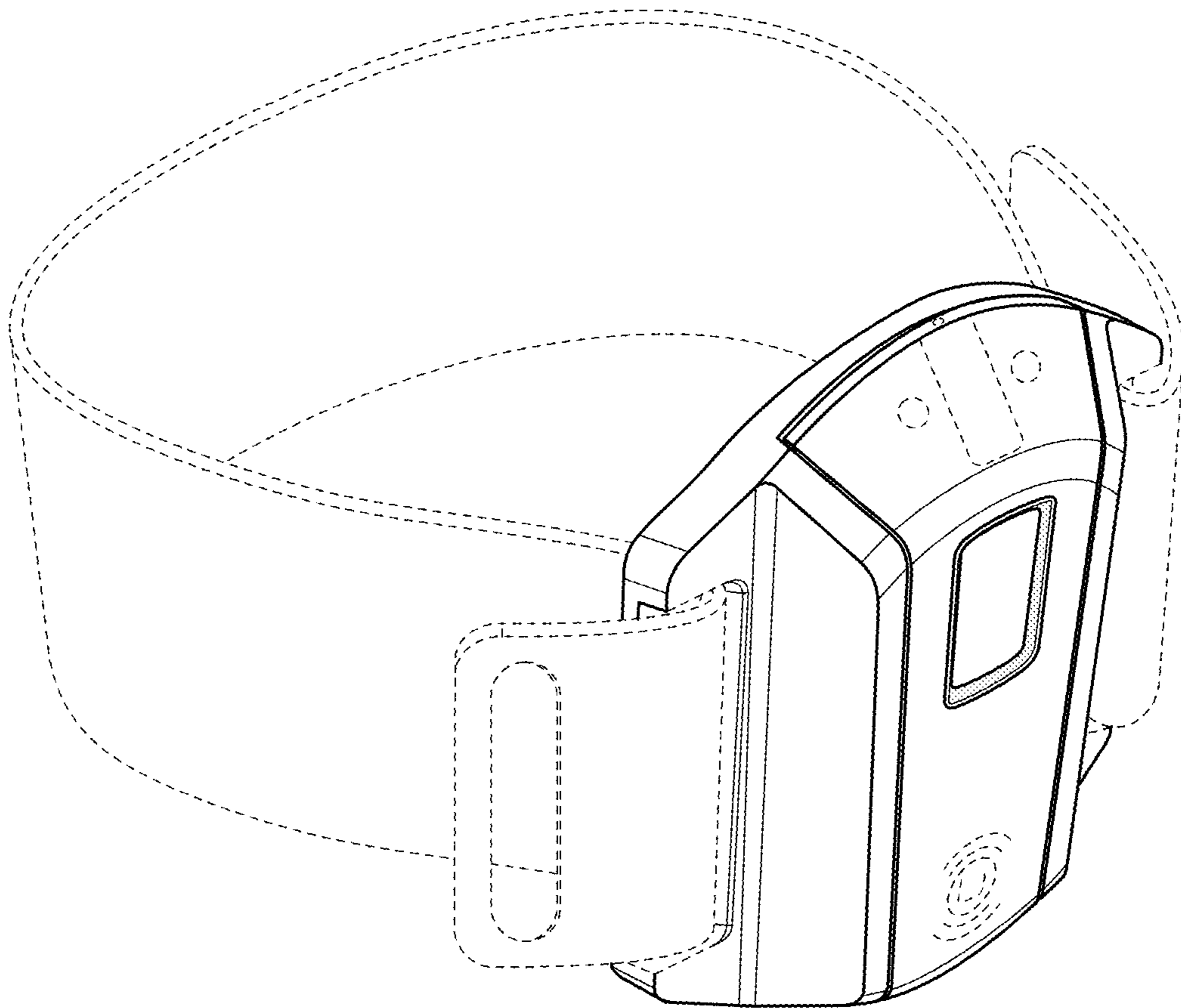


FIG. 1

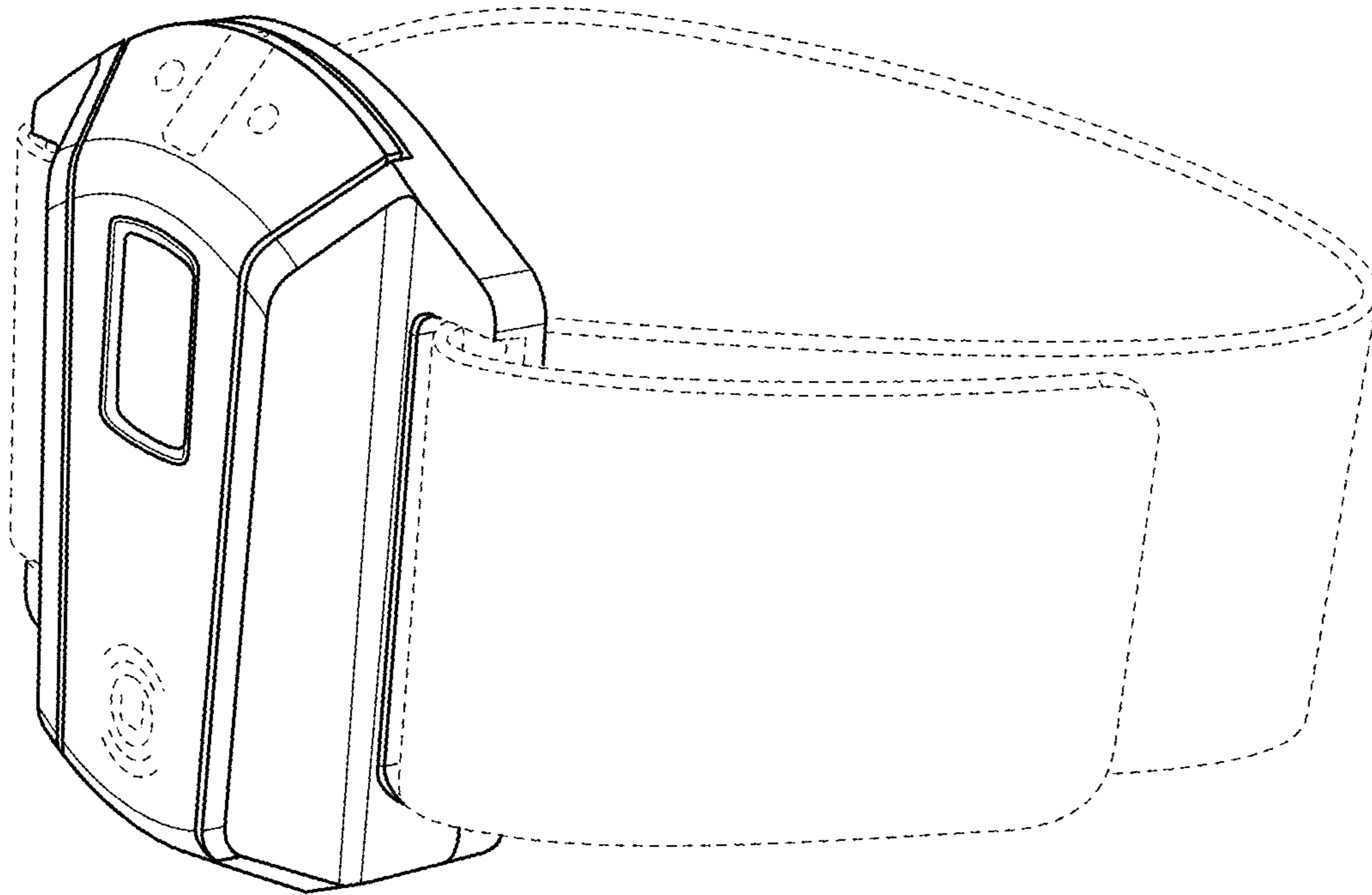


FIG. 2

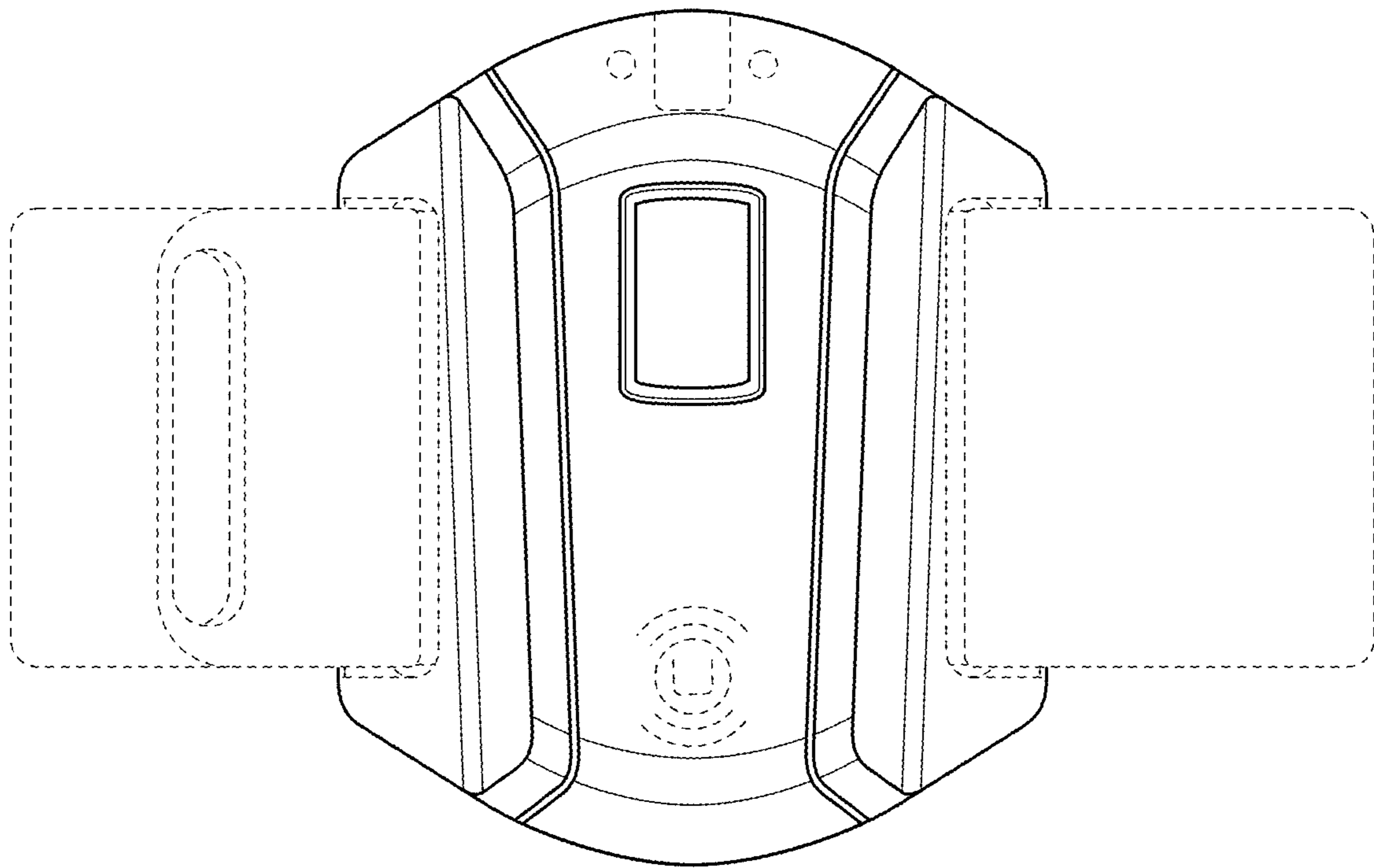


FIG. 3

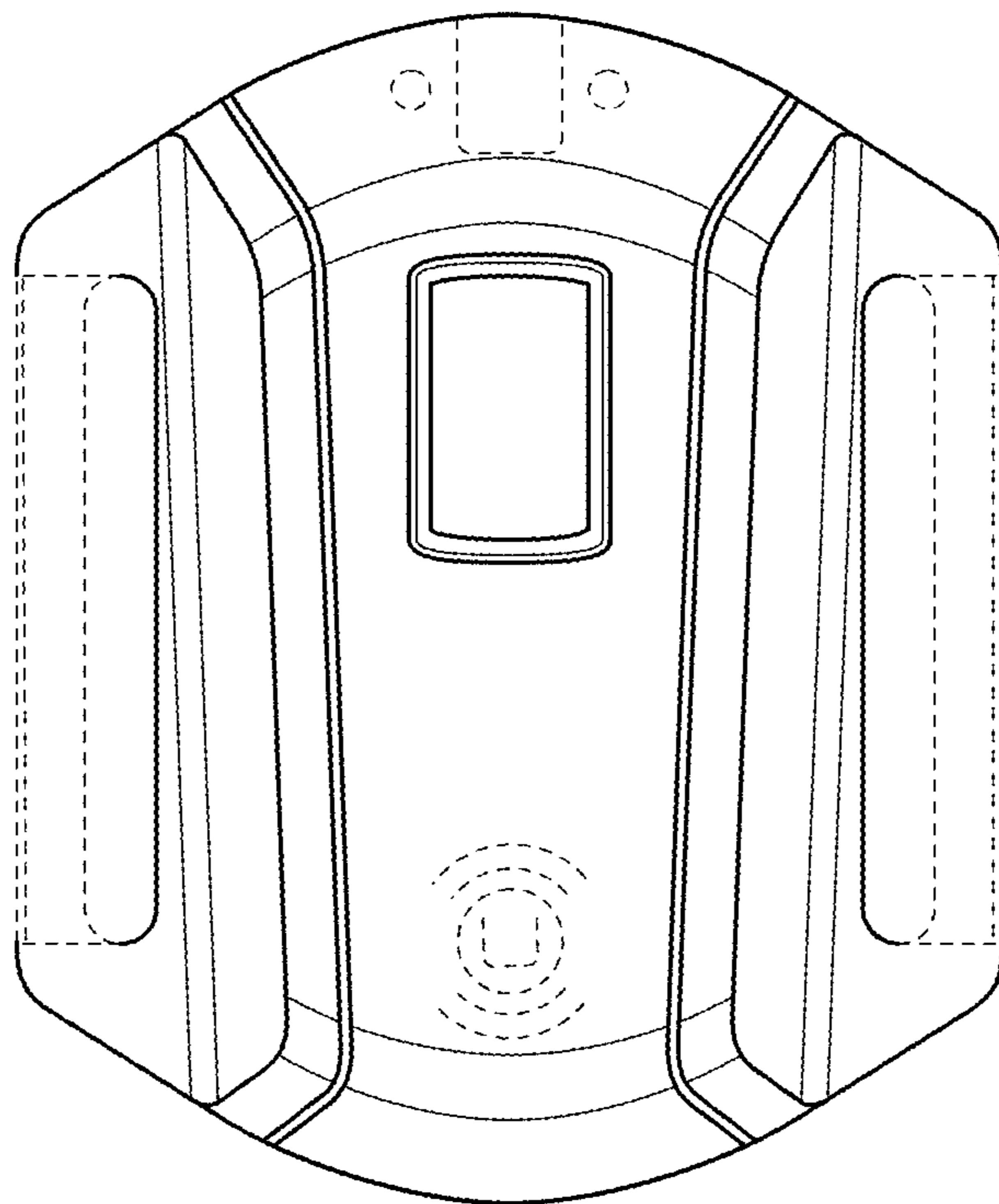


FIG. 4

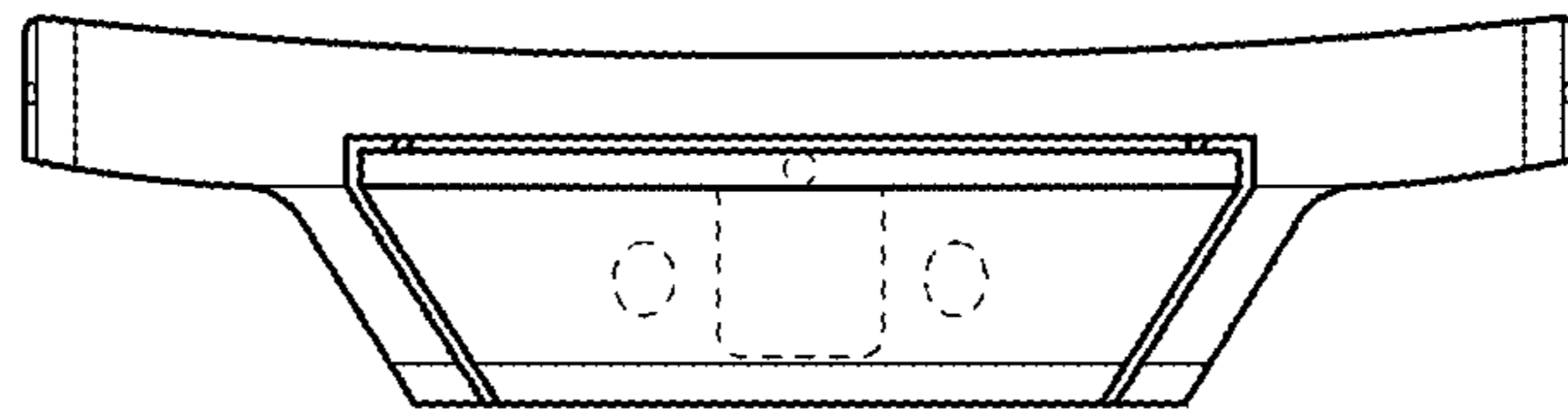


FIG. 5

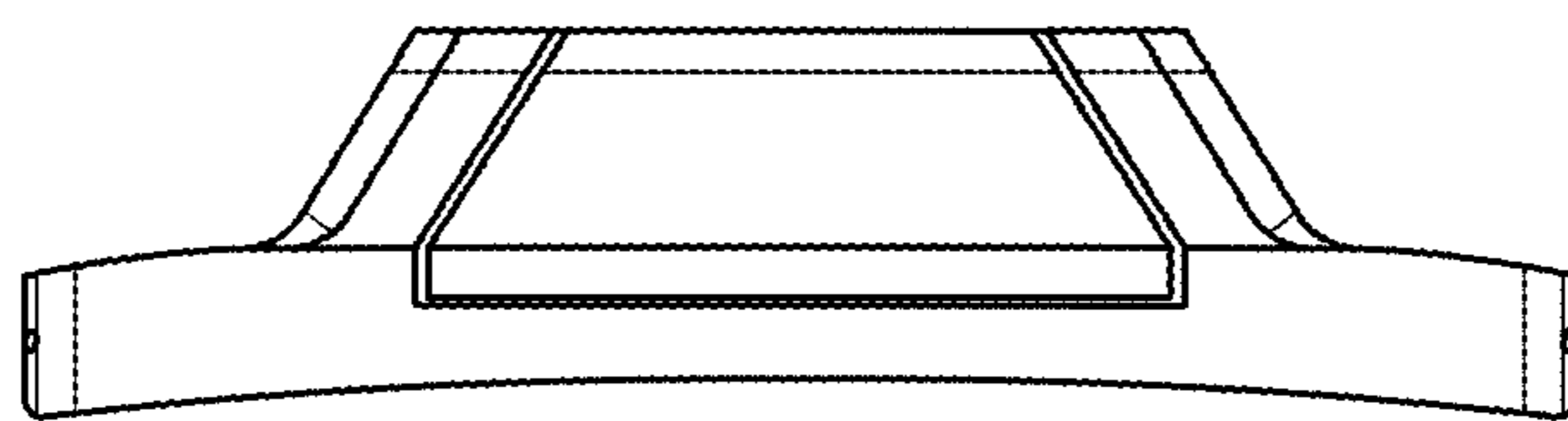


FIG. 6

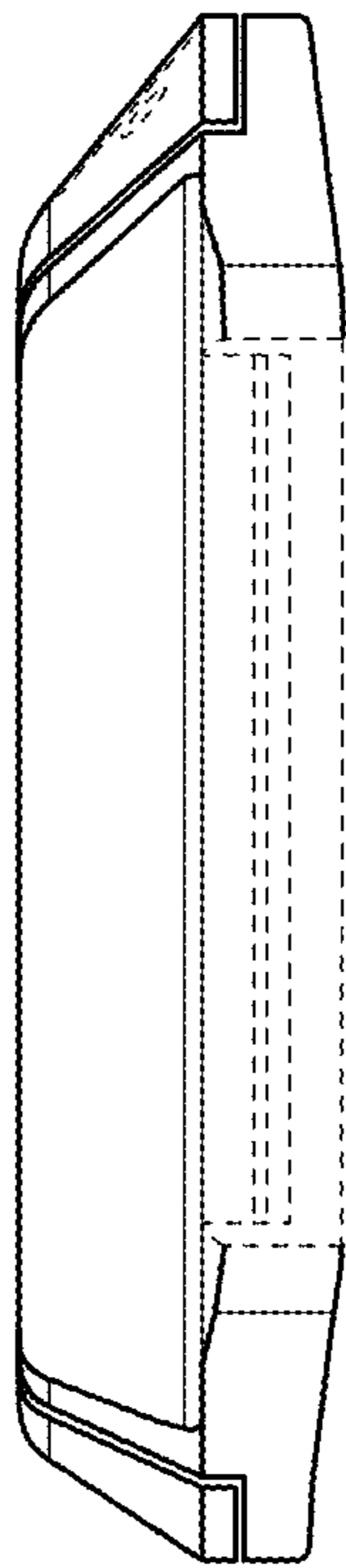


FIG. 7

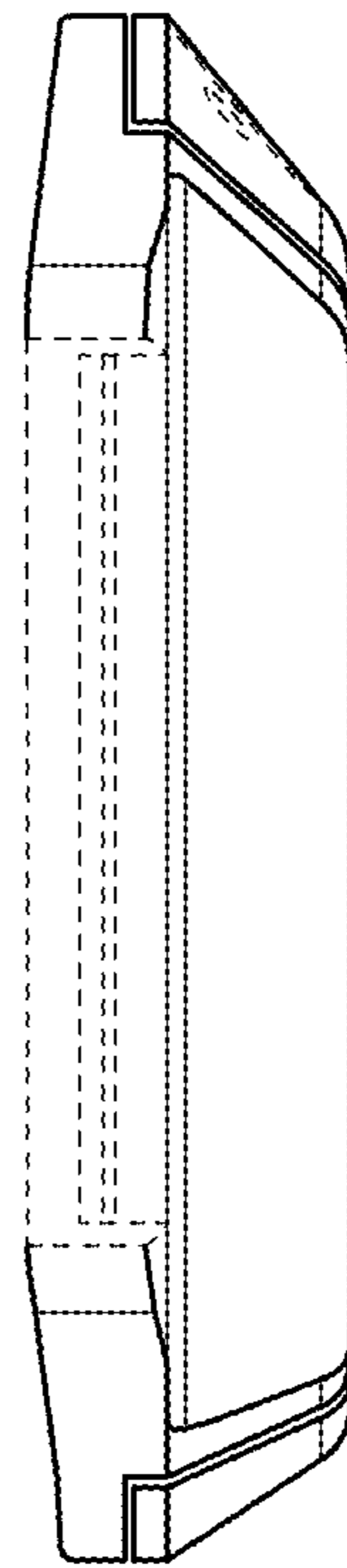


FIG. 8

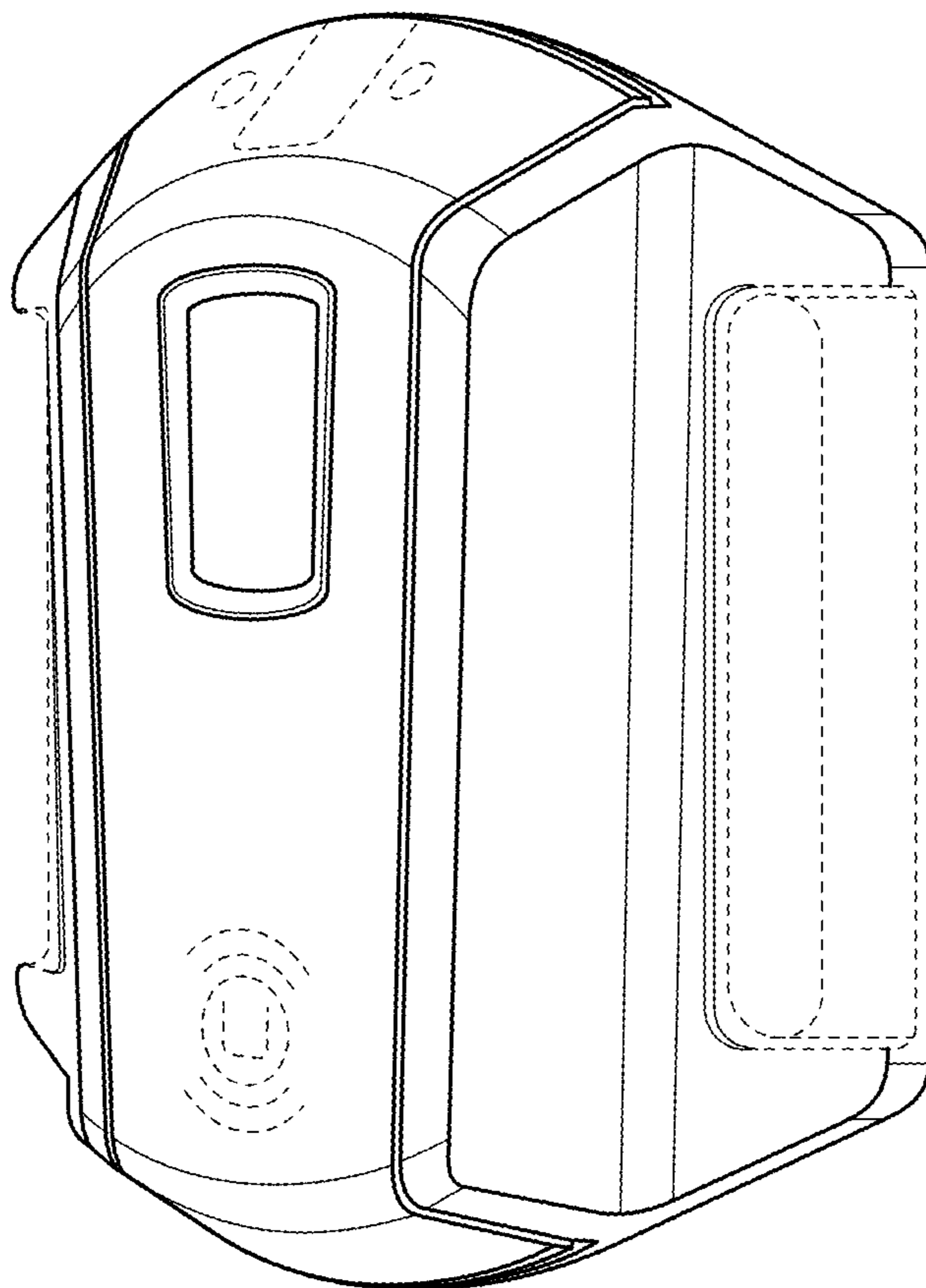


FIG. 9

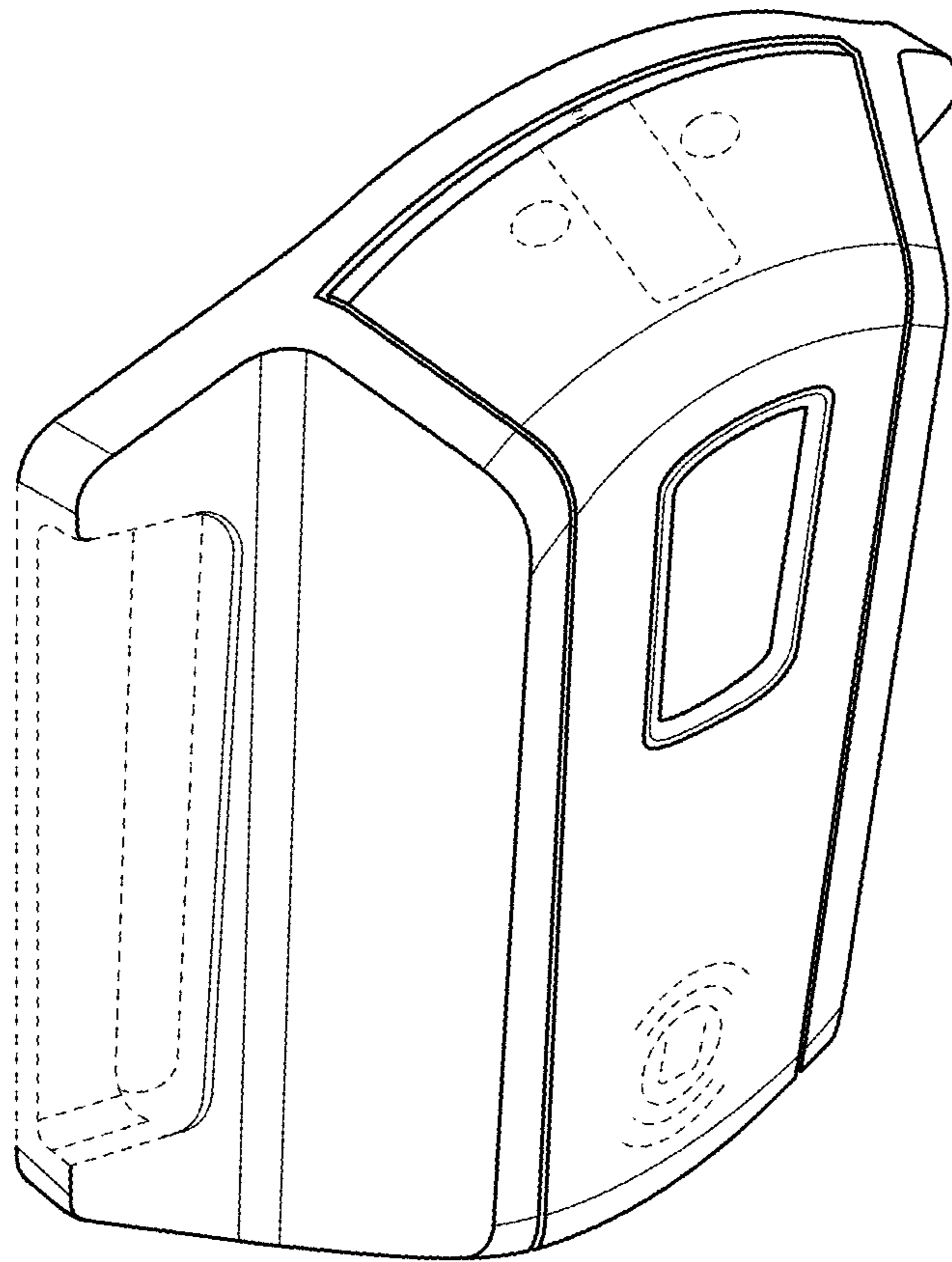


FIG. 10