



US00D938411S

(12) **United States Design Patent** (10) **Patent No.:** **US D938,411 S**
Yaremchuk (45) **Date of Patent:** **** Dec. 14, 2021**

(54) **ORGANIZER**

(71) Applicant: **Eco Trend Inc.**, Wilmette, IL (US)
(72) Inventor: **Roman Yaremchuk**, Wilmette, IL (US)
(73) Assignee: **Eco Trend Inc.**, Wilmette, IL (US)
(**) Term: **15 Years**
(21) Appl. No.: **29/778,959**

(22) Filed: **Apr. 15, 2021**
(51) **LOC (13) Cl.** **14-03**
(52) **U.S. Cl.**
USPC **D14/253**

(58) **Field of Classification Search**
USPC D14/251-253, 142, 144, 149, 150, 151,
D14/203.8, 209.1, 217, 238.1, 401, 440,
D14/447, 434; D12/415; D3/218, 247,
D3/249; D13/108; D6/310; D8/353;
D16/237, 239; D26/51, 37, 38, 44;
D21/333
CPC H04M 1/04; H04M 1/21; H04M 1/0266;
F16M 13/00; F16M 11/041; B60R
11/0241; B60R 11/0252; B60R
2011/0059; B60R 2011/0063; B60R
2011/0005; B60R 2011/0003; B60R
2011/0078; H02J 7/0027; H02J 2310/22;
A45F 2200/0516; A45F 5/00; A45F
2200/0525; A45F 5/10; A45C 2011/002;
G03B 17/561; G03B 27/582; A47B
97/04; G09F 1/00

See application file for complete search history.

(56) **References Cited**

U.S. PATENT DOCUMENTS

D470,533 S * 2/2003 Stravitz D14/252
D658,168 S 4/2012 Werth
D703,659 S 4/2014 Werth
D771,615 S 11/2016 Pignotti
D799,463 S * 10/2017 Deng D14/252

(Continued)

OTHER PUBLICATIONS

Multifunctional Wooden Desk Organizer with Docking Stand, published by Teslyar and reviewed on Oct. 19, 2020, <<https://teslyar.com/products/multifunctional-wooden-desk-organizer>> (Year: 2020).*

Primary Examiner — Janice Hallmark

(74) *Attorney, Agent, or Firm* — St. Onge Steward Johnston & Reens LLC

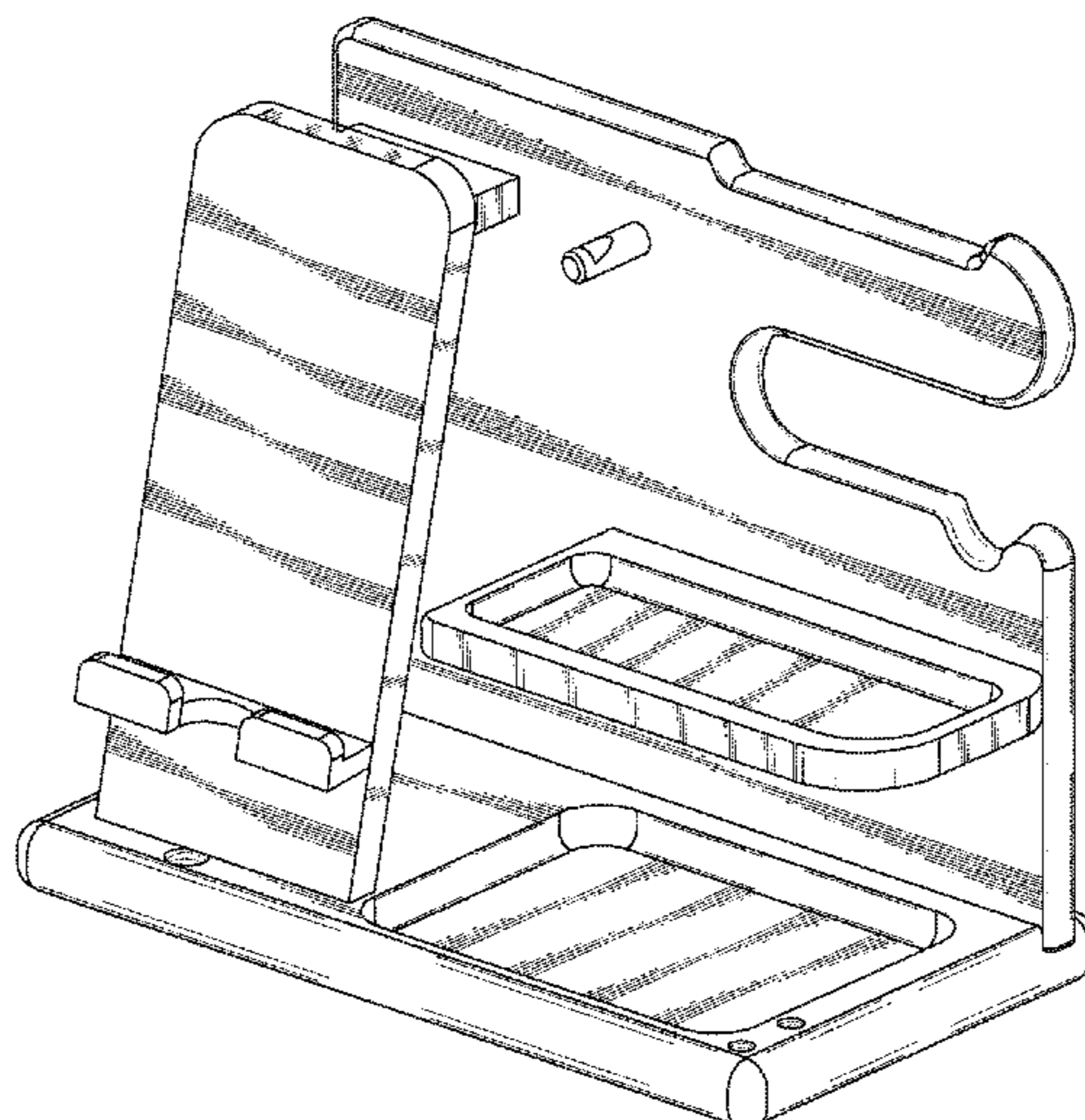
(57) **CLAIM**

The ornamental design for an organizer, as shown and described.

DESCRIPTION

FIG. 1 is a front isometric view of an organizer in accordance with the new design;
FIG. 2 is a front elevational view thereof;
FIG. 3 is a back elevational view thereof;
FIG. 4 is a left side elevational view thereof;
FIG. 5 is a right side elevational view thereof;
FIG. 6 is a top plan view thereof;
FIG. 7 is a partial cross-sectional view along the line 7-7 in FIG. 6 to illustrate contour of the design details not fully visible from other figures;
FIG. 8 is a partial cross-sectional view along the line 8-8 in FIG. 6 to illustrate contour of the design details not fully visible from other figures;
FIG. 9 is a partial cross-sectional view along the line 9-9 in FIG. 6 to illustrate contour of the design details not fully visible from other figures;
FIG. 10 is a partial cross-sectional view along the line 10-10 in FIG. 6 to illustrate contour of the design details not fully visible from other figures;
FIG. 11 is a partial cross-sectional view along the line 11-11 in FIG. 6 to illustrate contour of the design details not fully visible from other figures; and,
FIG. 12 is a bottom isometric view of the organizer of FIG. 1.

1 Claim, 9 Drawing Sheets



(56)

References Cited

U.S. PATENT DOCUMENTS

D826,851	S	*	8/2018	Wang	D13/108
D839,869	S		2/2019	Wang		
D840,997	S	*	2/2019	Chen	D14/253
D852,134	S	*	6/2019	Mei	D13/108
D852,135	S	*	6/2019	Mei	D13/108
D855,566	S	*	8/2019	Chen	D13/108
D863,291	S		10/2019	Shi		
D864,946	S	*	10/2019	Zhang	D14/253
D873,216	S	*	1/2020	Zhang	D13/108
D875,043	S	*	2/2020	Yi	D13/108
D877,072	S	*	3/2020	Yin	D13/108
D879,035	S	*	3/2020	Li	D13/108
10,587,951	B1	*	3/2020	Schaffer	H04M 1/035
D881,123	S	*	4/2020	Zhang	D13/108
D886,051	S	*	6/2020	Chen	D13/108
D886,056	S	*	6/2020	Zhang	D13/108
D889,403	S	*	7/2020	Li	D13/108
D892,046	S	*	8/2020	Peng	D13/108
D899,394	S	*	10/2020	Yang	D14/150
D905,042	S	*	12/2020	Lim	D14/253
D911,277	S	*	2/2021	Shang	D13/108
D915,277	S	*	4/2021	Peng	D13/108
D917,386	S	*	4/2021	Xu	D13/108
D918,136	S	*	5/2021	Xu	D13/108
D919,611	S	*	5/2021	Wang	D14/253
D926,683	S	*	8/2021	Liao	D13/108
D931,208	S	*	9/2021	Liao	D13/108

* cited by examiner

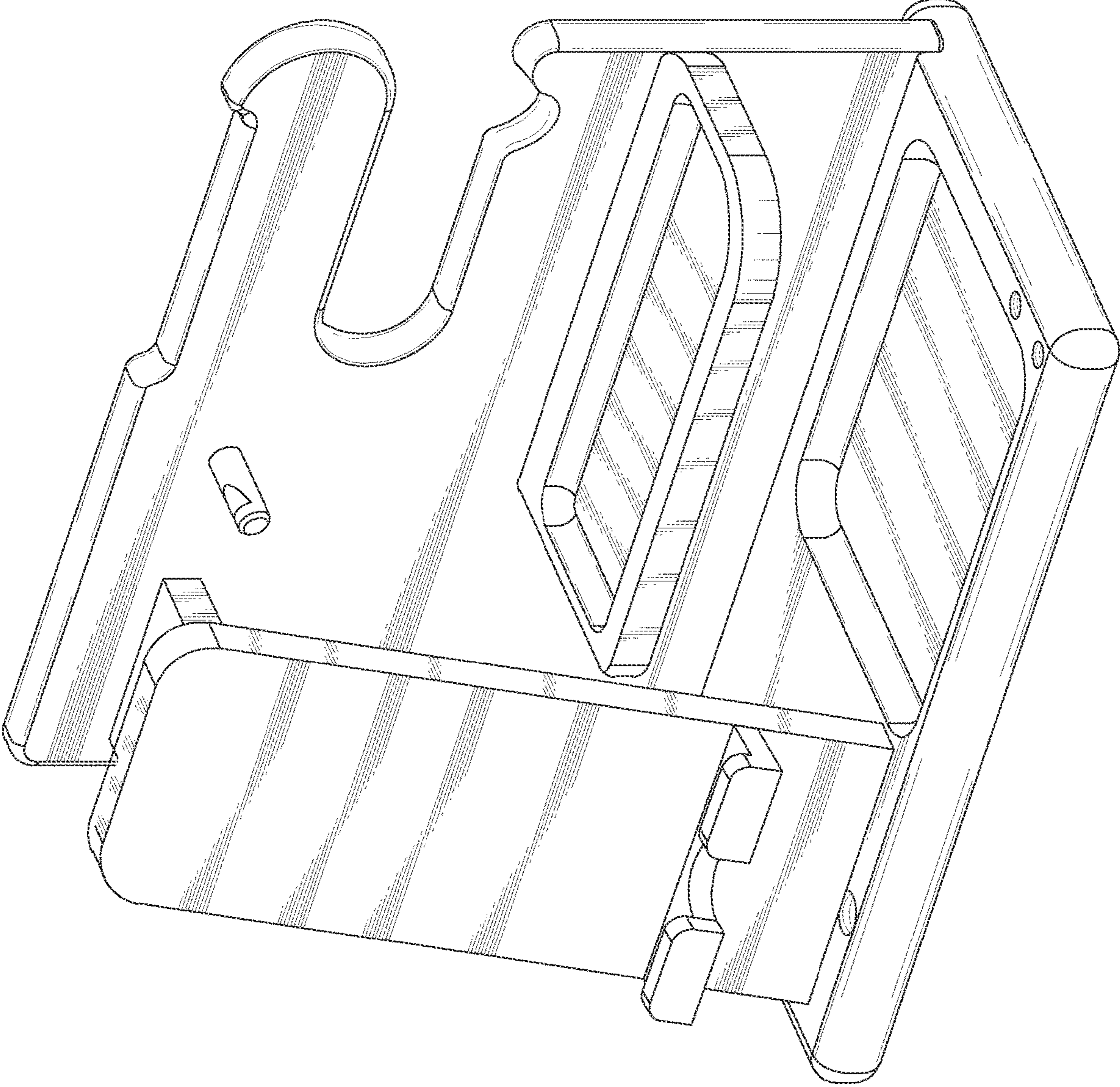


FIG. 1

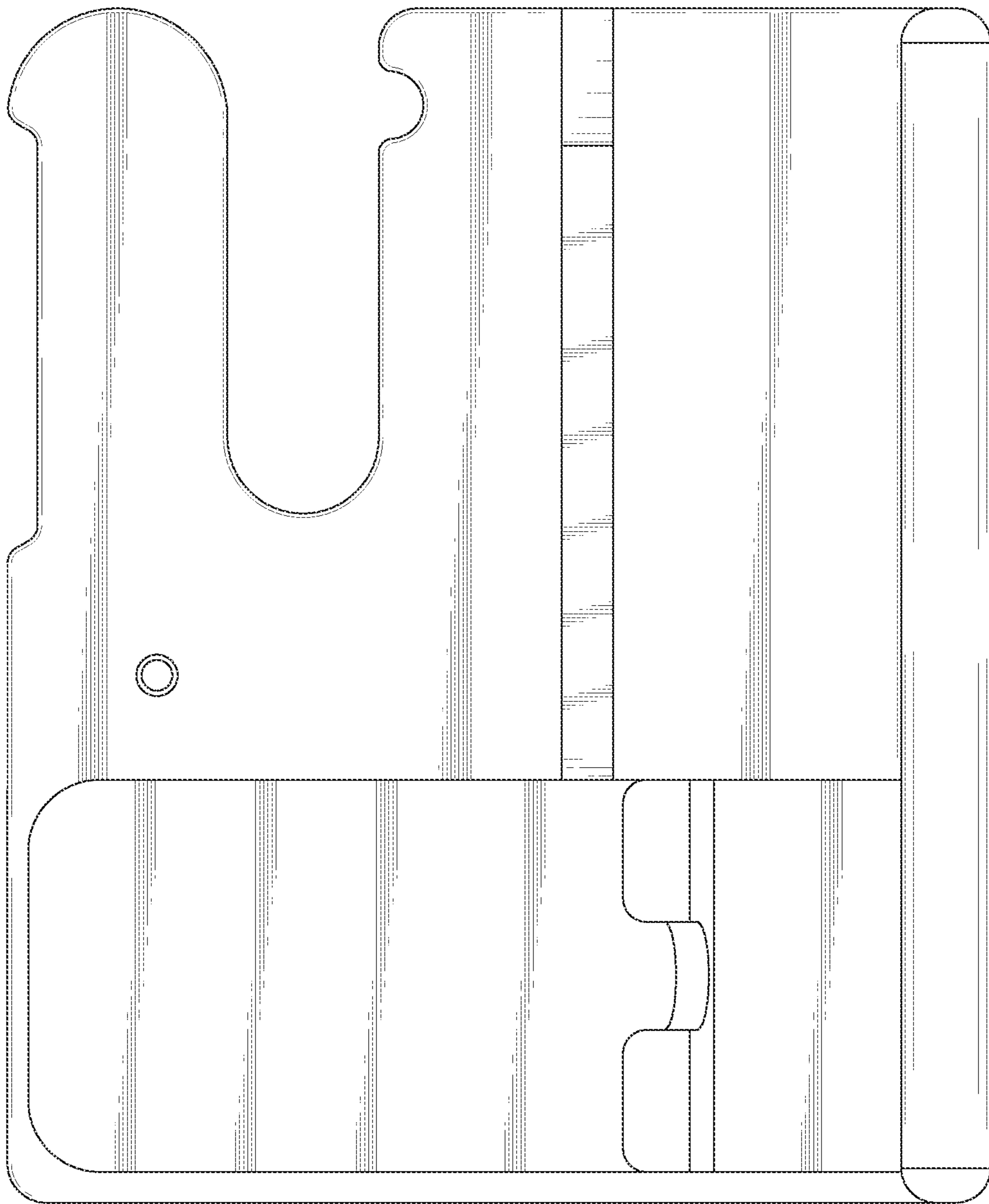
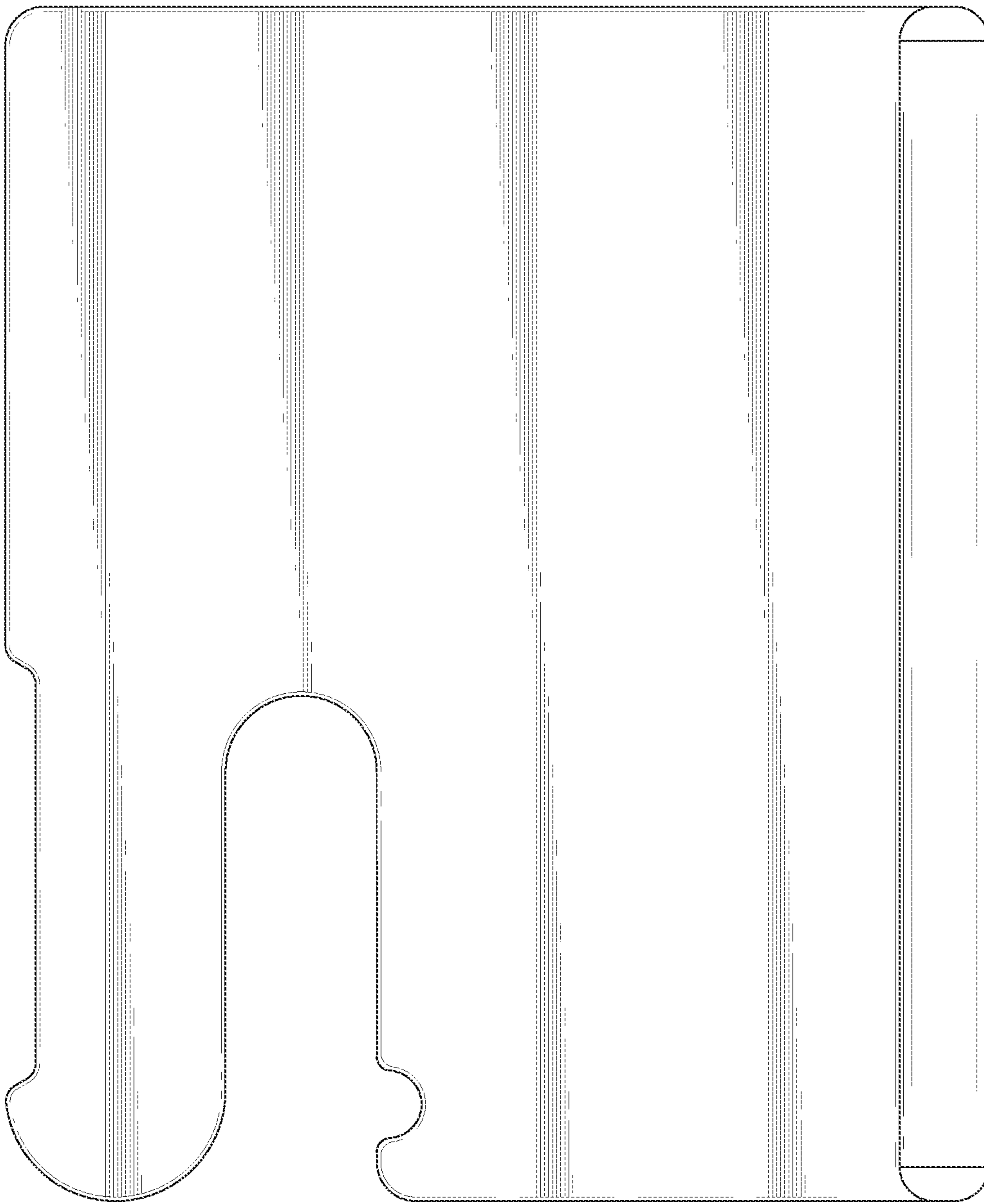


FIG. 2

FIG. 3



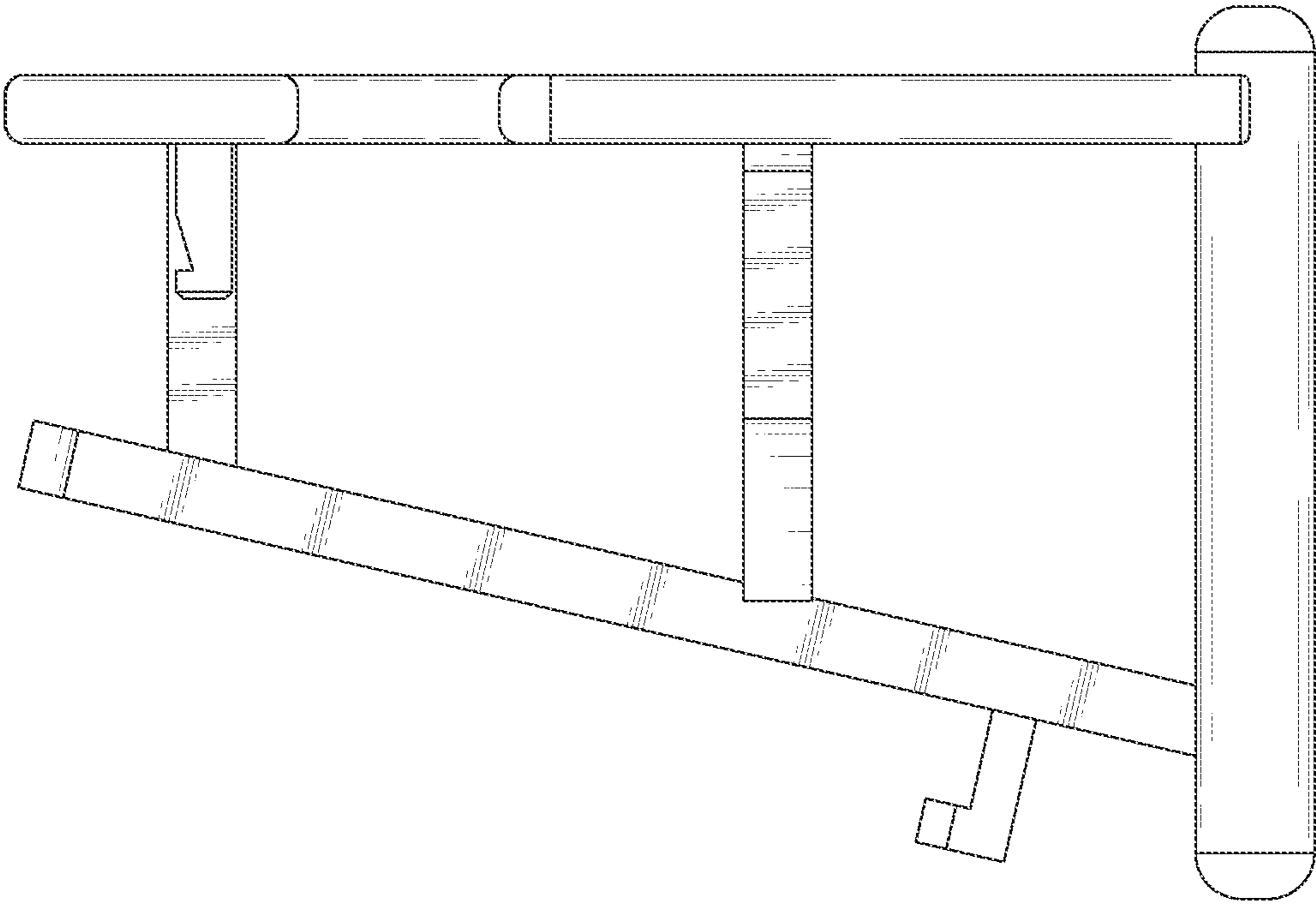


FIG. 4

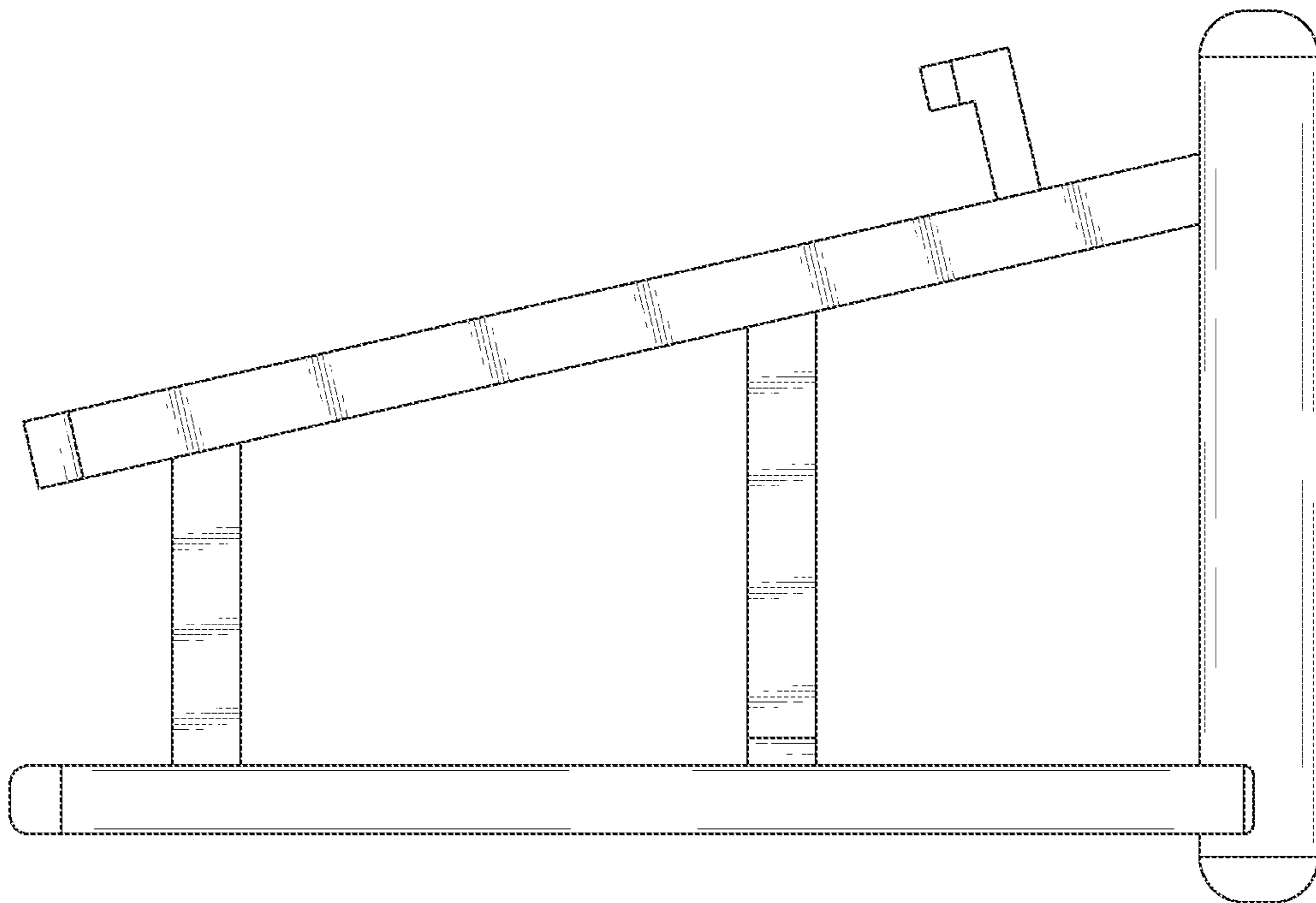


FIG. 5

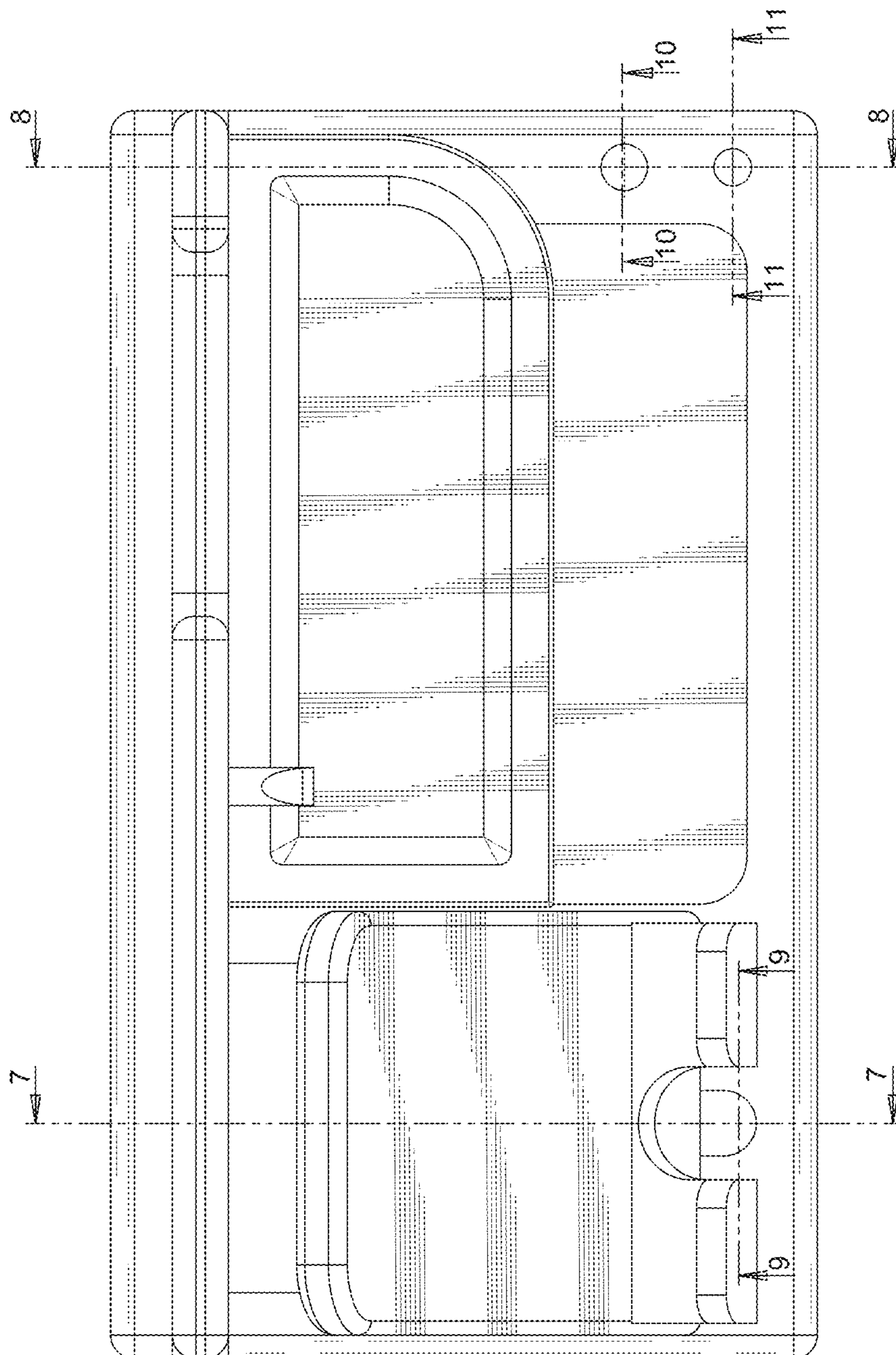


FIG. 6

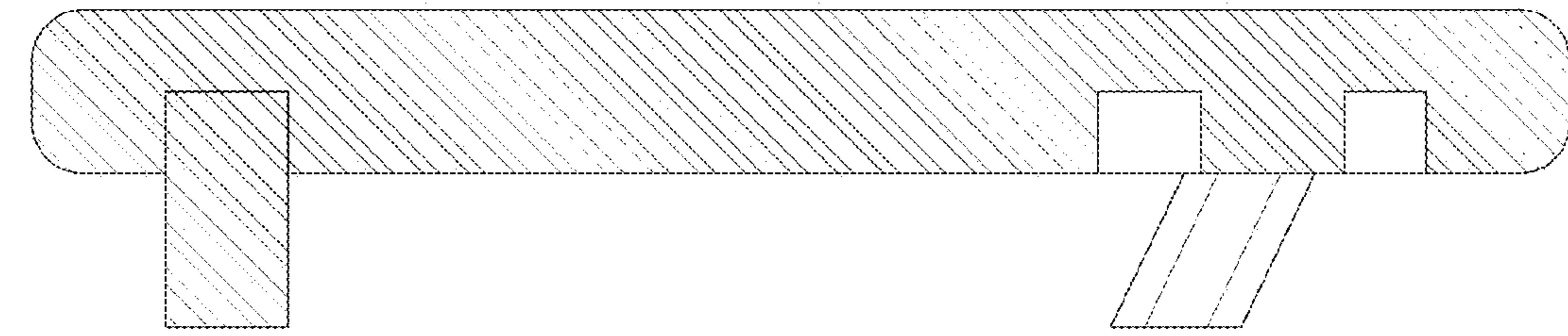


FIG. 8

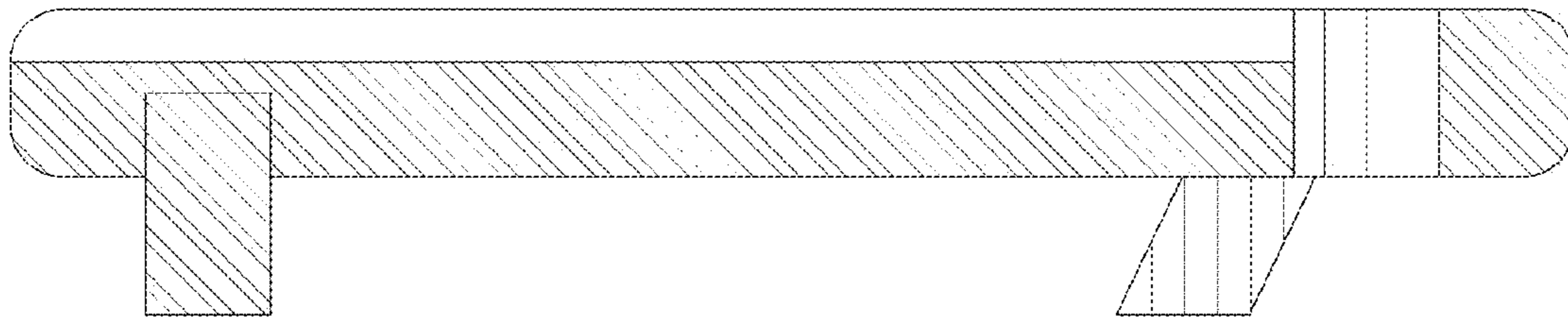


FIG. 7

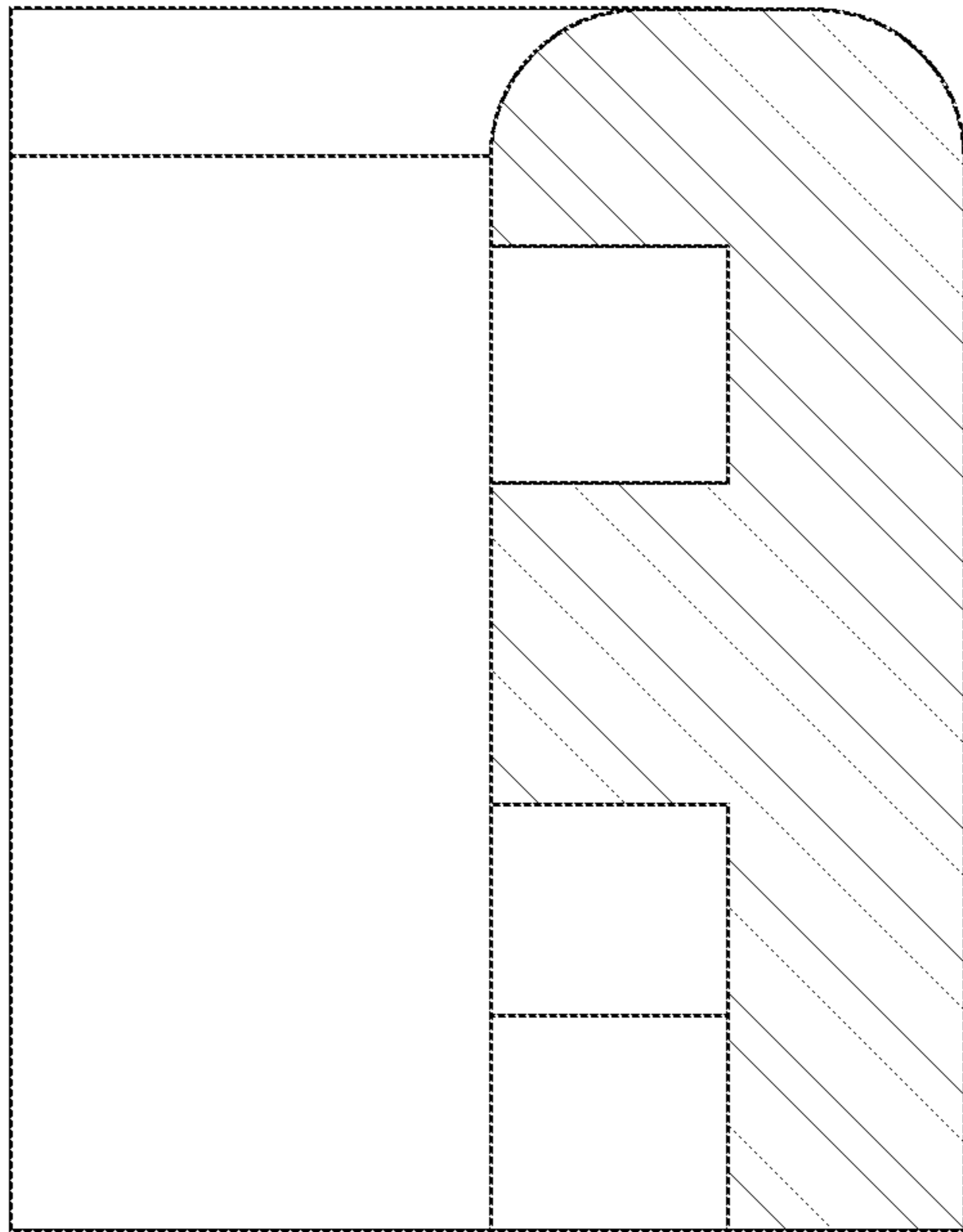


FIG. 11

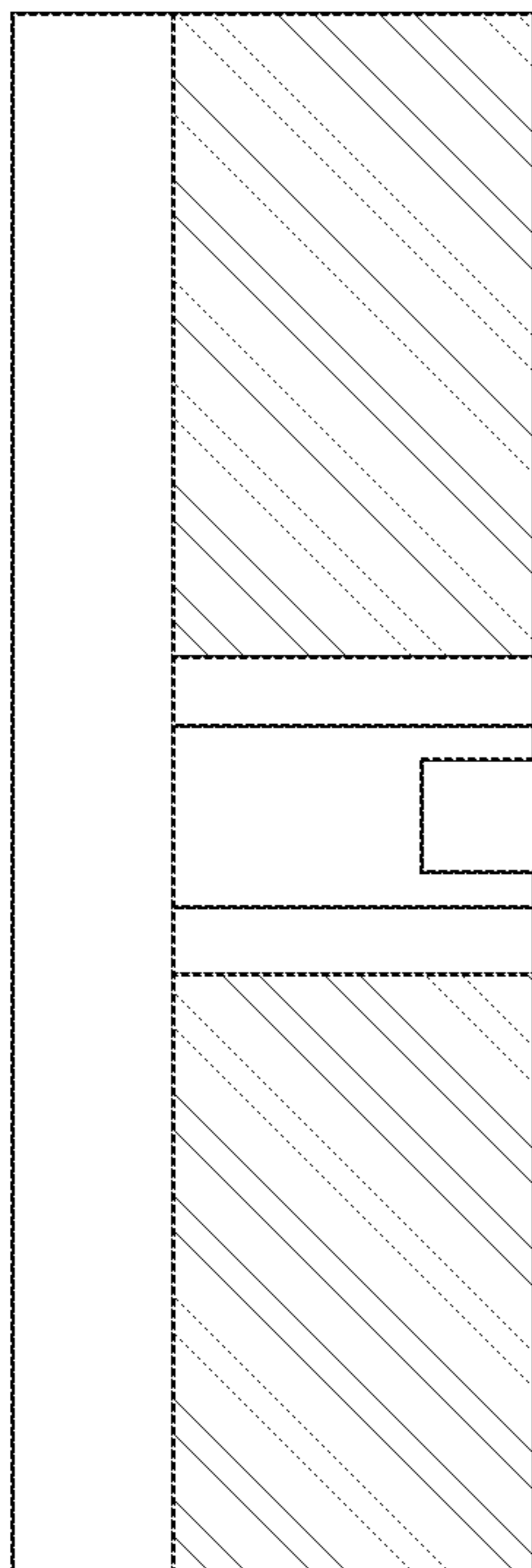


FIG. 9

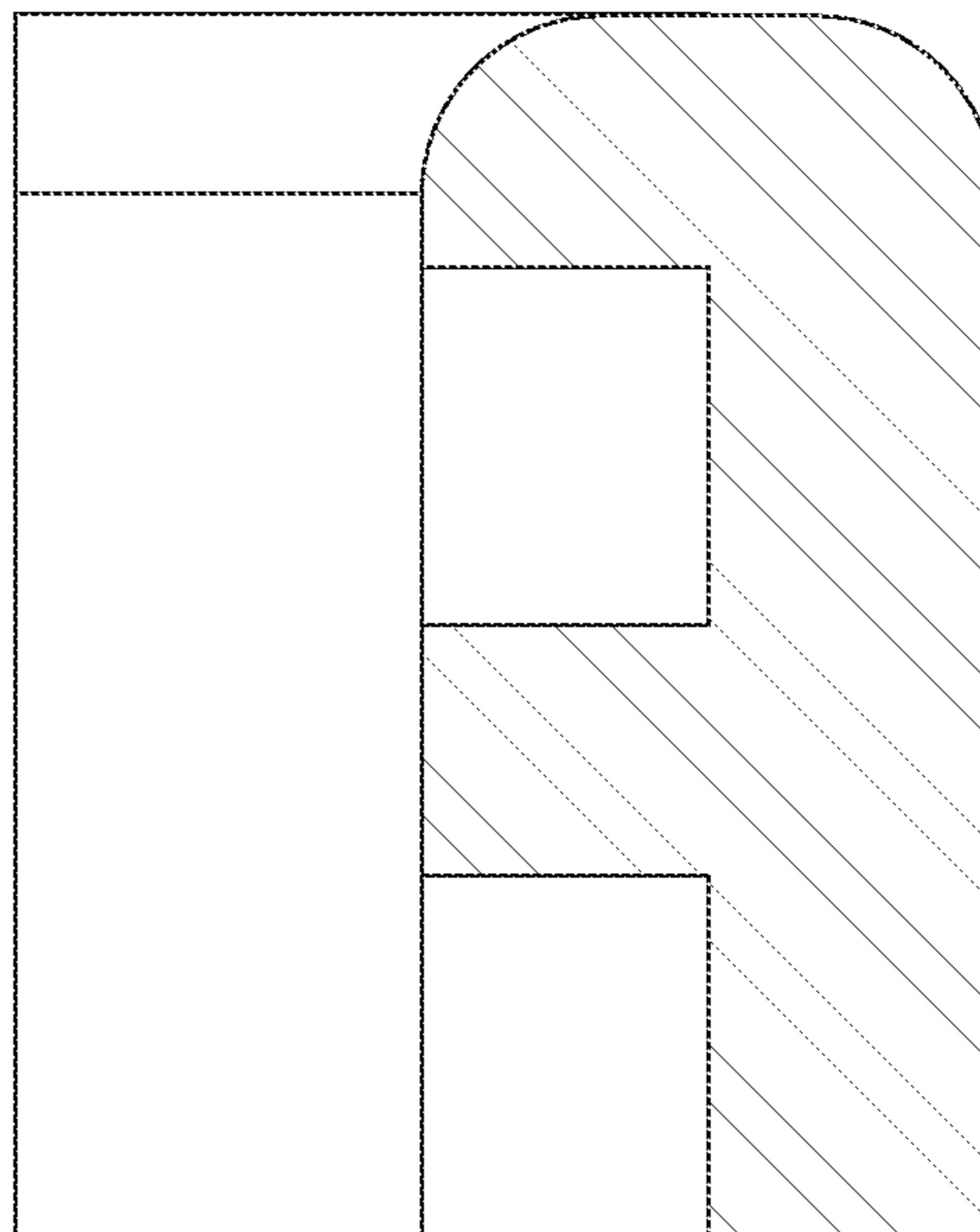


FIG. 10

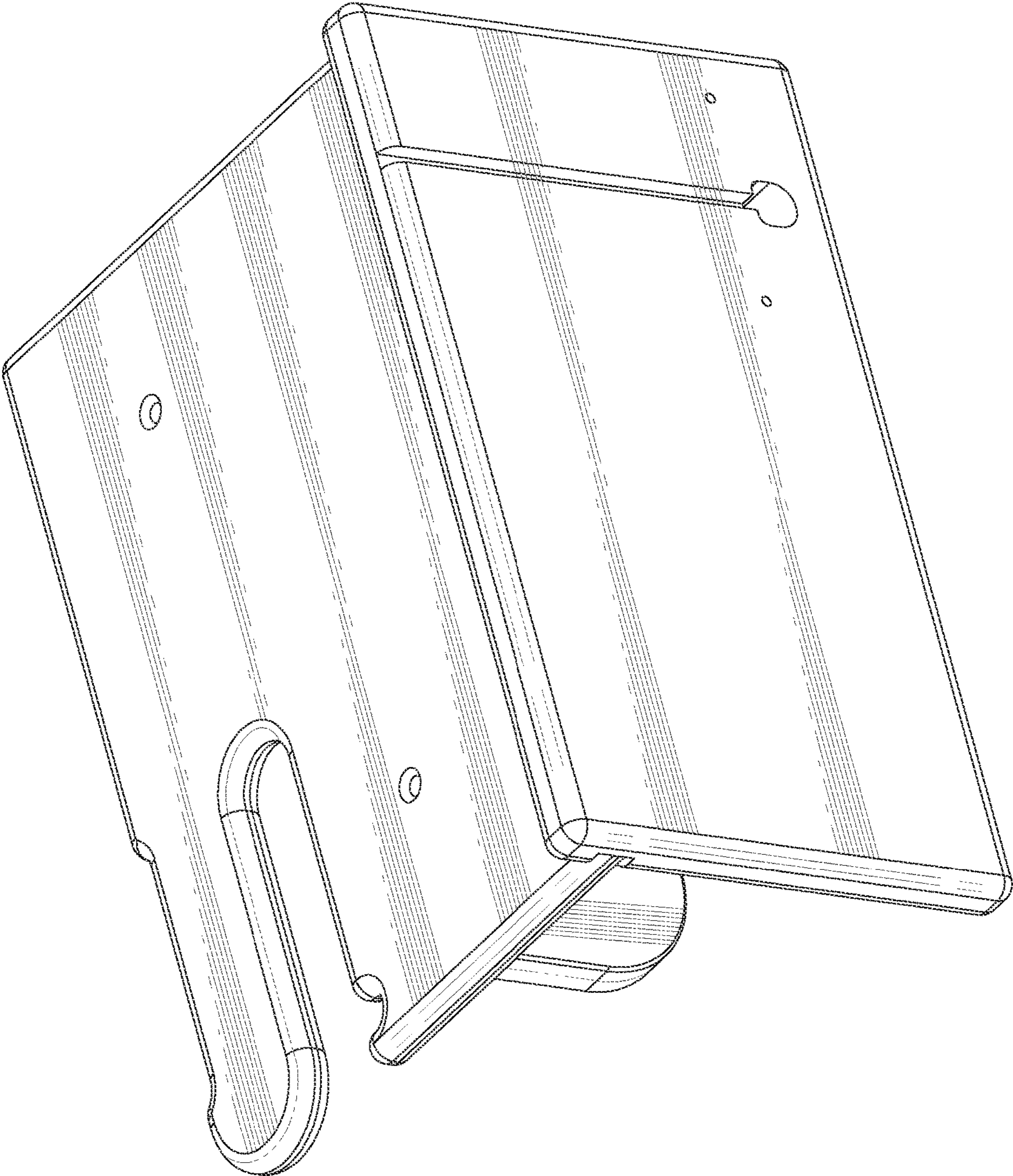


FIG.12