



US00D938410S

(12) **United States Design Patent**
Wang

(10) **Patent No.:** **US D938,410 S**

(45) **Date of Patent:** **** Dec. 14, 2021**

(54) **PHONE STAND**

(71) Applicant: **Lu Wang**, Yibin (CN)

(72) Inventor: **Lu Wang**, Yibin (CN)

(**) Term: **15 Years**

(21) Appl. No.: **29/778,826**

(22) Filed: **Apr. 15, 2021**

(30) **Foreign Application Priority Data**

Jan. 14, 2021 (EM) 008401509

(51) **LOC (13) Cl.** **14-03**

(52) **U.S. Cl.**
USPC **D14/253**; D14/447

(58) **Field of Classification Search**
USPC D14/447, 432, 434, 439, 440, 451, 452,
D14/457, 239, 253; D8/363, 373, 380;
D6/406.3, 406.4, 406.5, 406.6; D12/415;
D13/108
CPC A47B 21/04; A47B 2097/006; A47B
2097/005; A47B 2023/049; A45C
2011/002; A45C 2011/003; F16M
2200/00; F16M 13/00
See application file for complete search history.

(56) **References Cited**

U.S. PATENT DOCUMENTS

D751,564 S * 3/2016 Hahn D14/447
D762,650 S * 8/2016 Dang D14/434

D788,094 S * 5/2017 Kim D14/253
D788,699 S * 6/2017 Hoehn D13/107
D799,463 S * 10/2017 Deng D14/252
D799,493 S * 10/2017 Grove D14/447
D811,414 S * 2/2018 Lee D14/447
D825,575 S * 8/2018 Gao D14/447
D842,305 S * 3/2019 Gao D14/447
D870,095 S 12/2019 Hu
D870,718 S * 12/2019 Peters D14/253
D892,787 S 8/2020 Chen
D920,240 S * 5/2021 Xiao D13/108
D930,583 S * 9/2021 Lee D13/108
D931,211 S * 9/2021 Cheng D13/108

* cited by examiner

Primary Examiner — Angela J Lee

(57) **CLAIM**

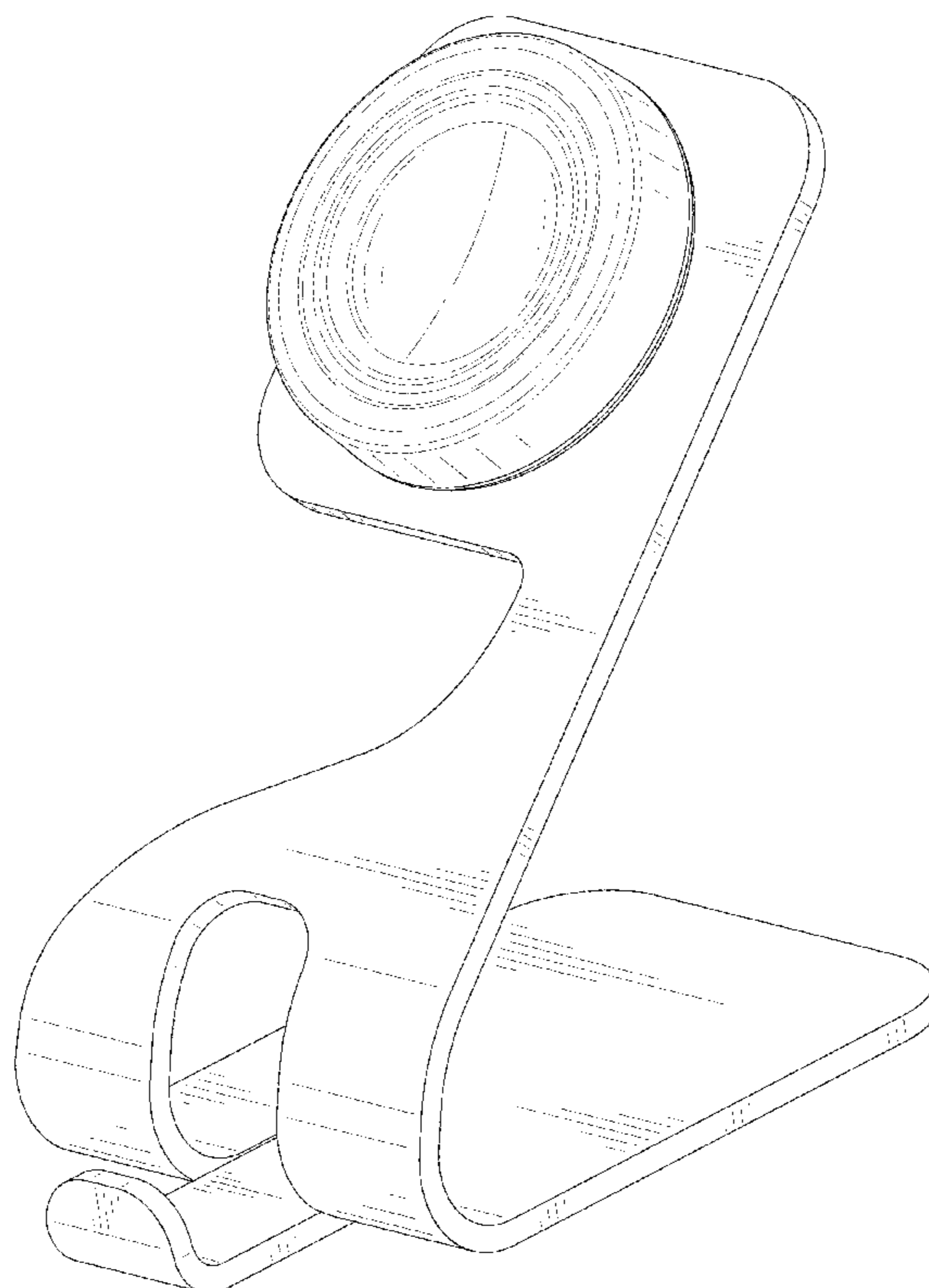
The ornamental design for a phone stand, as shown and described.

DESCRIPTION

FIG. 1 is a perspective view of a phone stand showing my new design;
FIG. 2 is another perspective view thereof;
FIG. 3 is a front elevational view thereof;
FIG. 4 is a rear elevational view thereof;
FIG. 5 is a left side elevational view thereof;
FIG. 6 is a right side elevational view thereof;
FIG. 7 is a top plan view thereof; and,
FIG. 8 is a bottom plan view thereof.

The broken lines in the drawings depict portions of the phone stand that form no part of the claimed design.

1 Claim, 8 Drawing Sheets



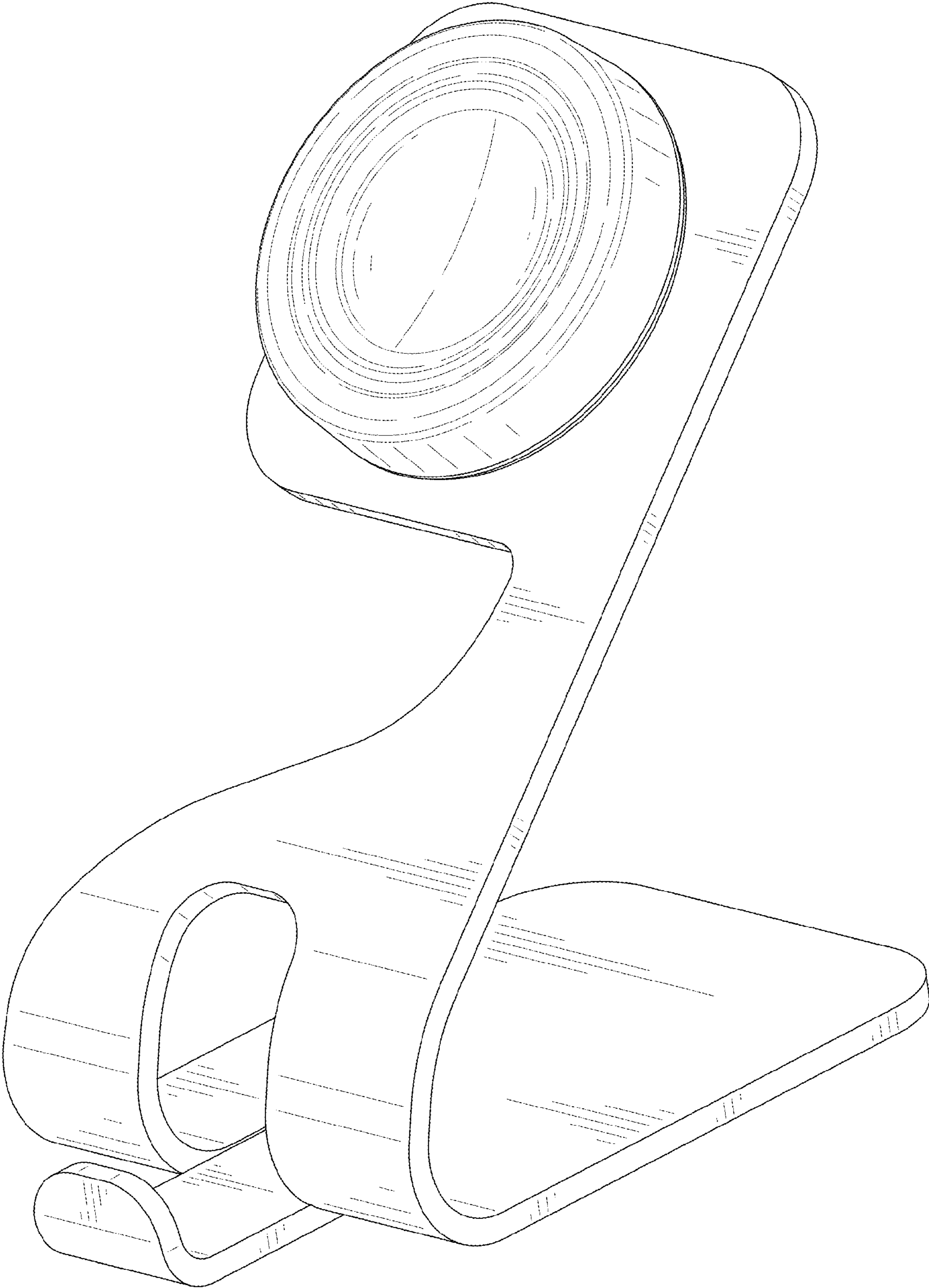


FIG. 1

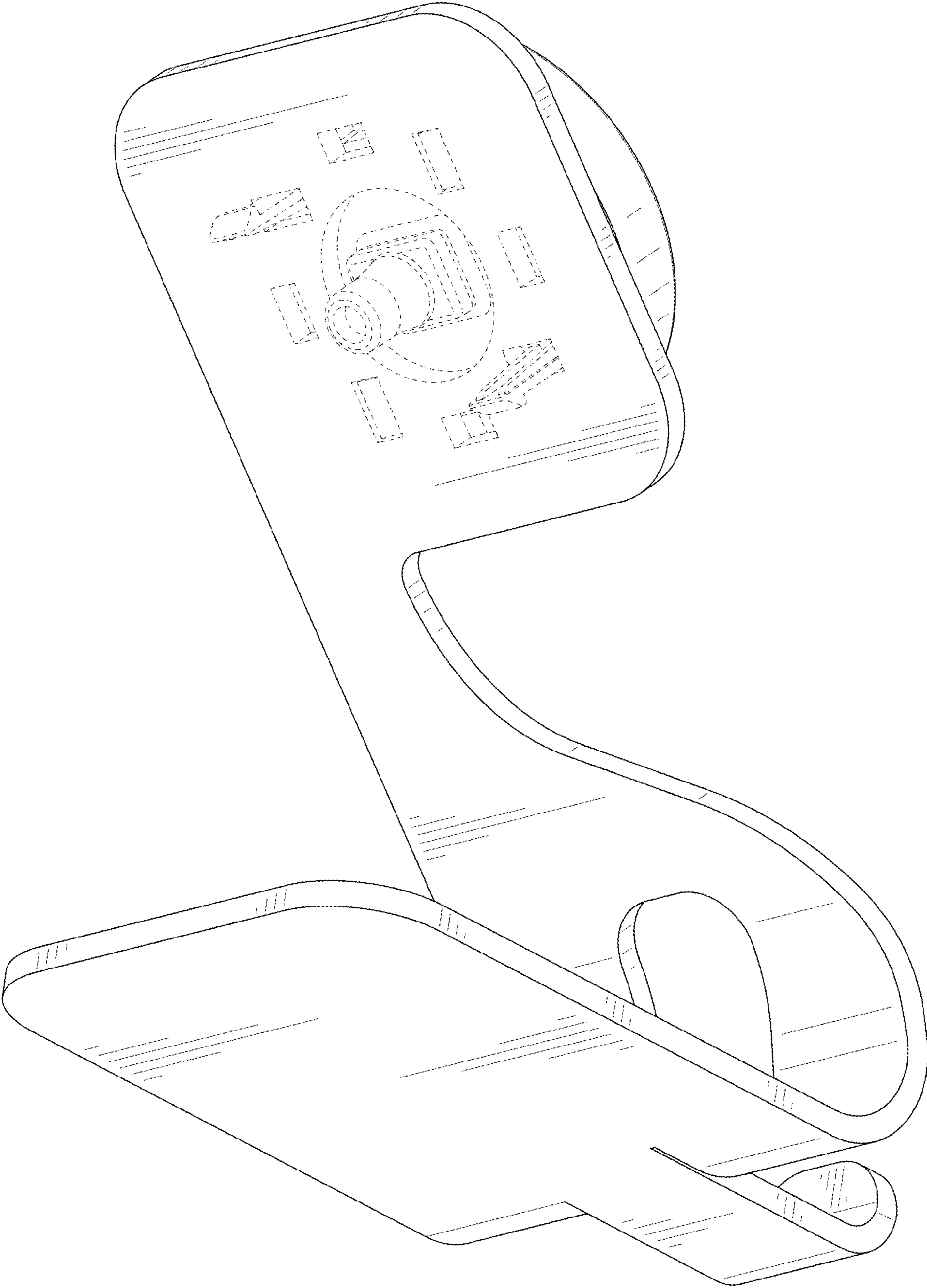


FIG. 2

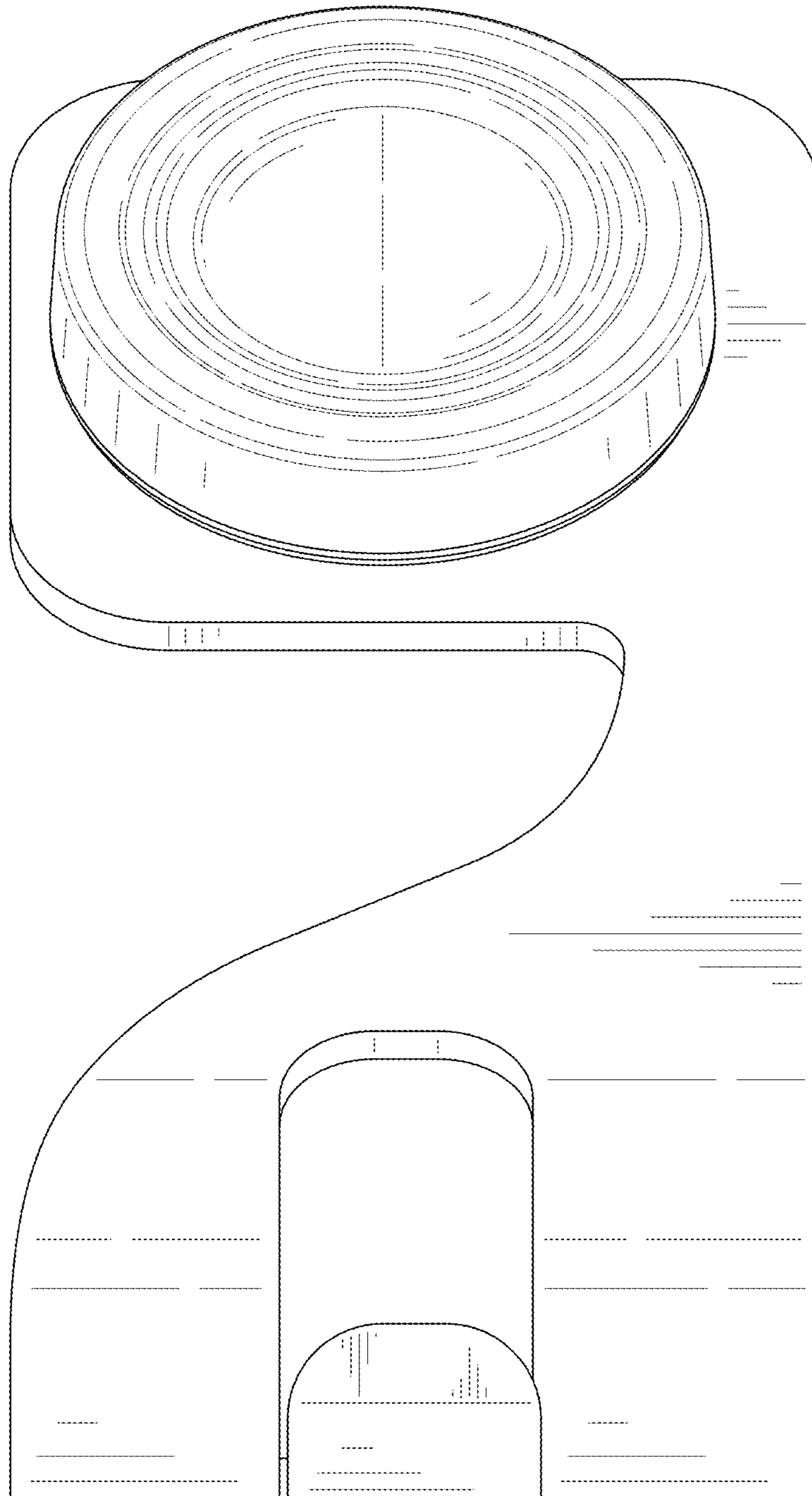


FIG. 3

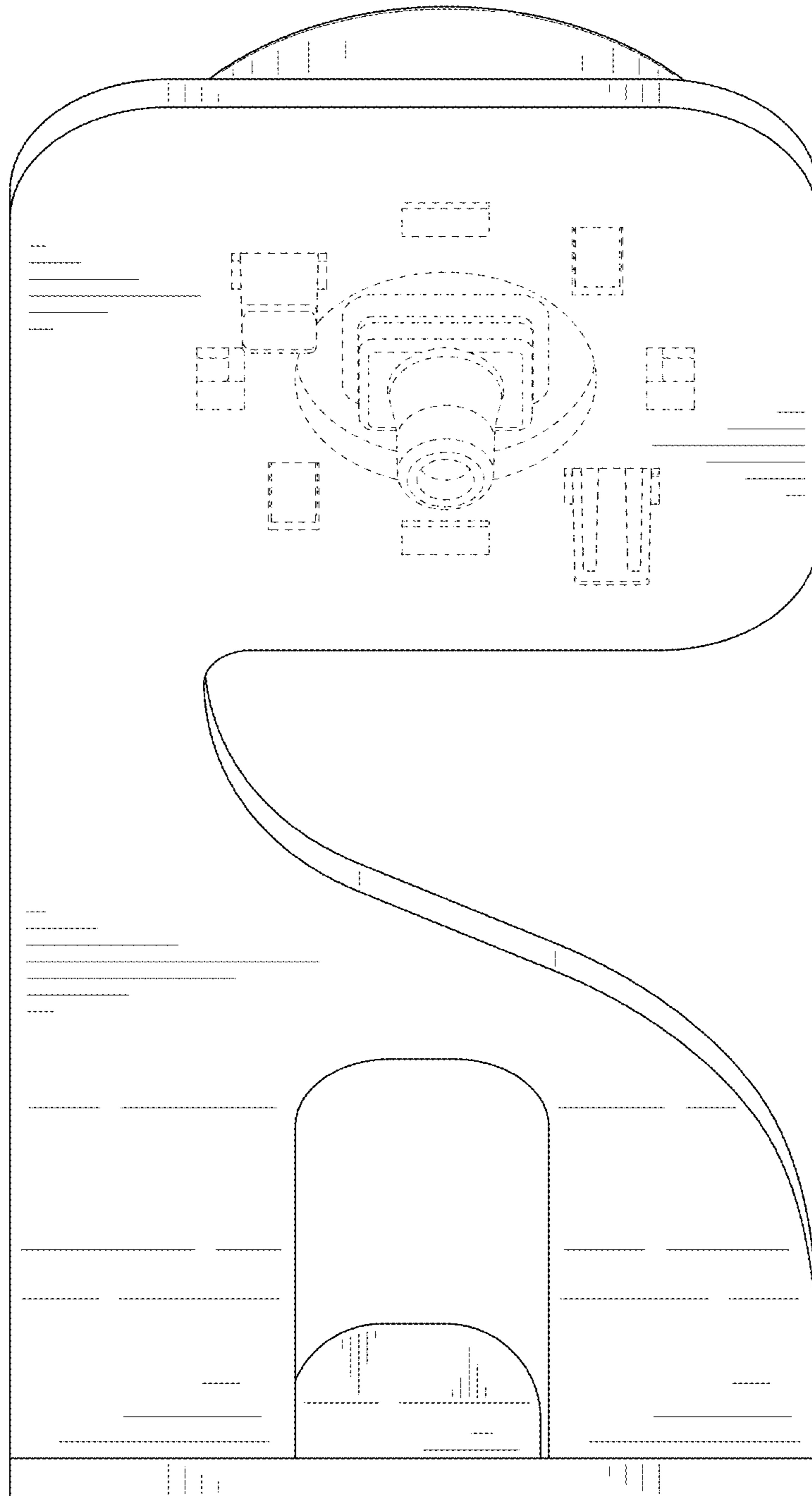


FIG. 4

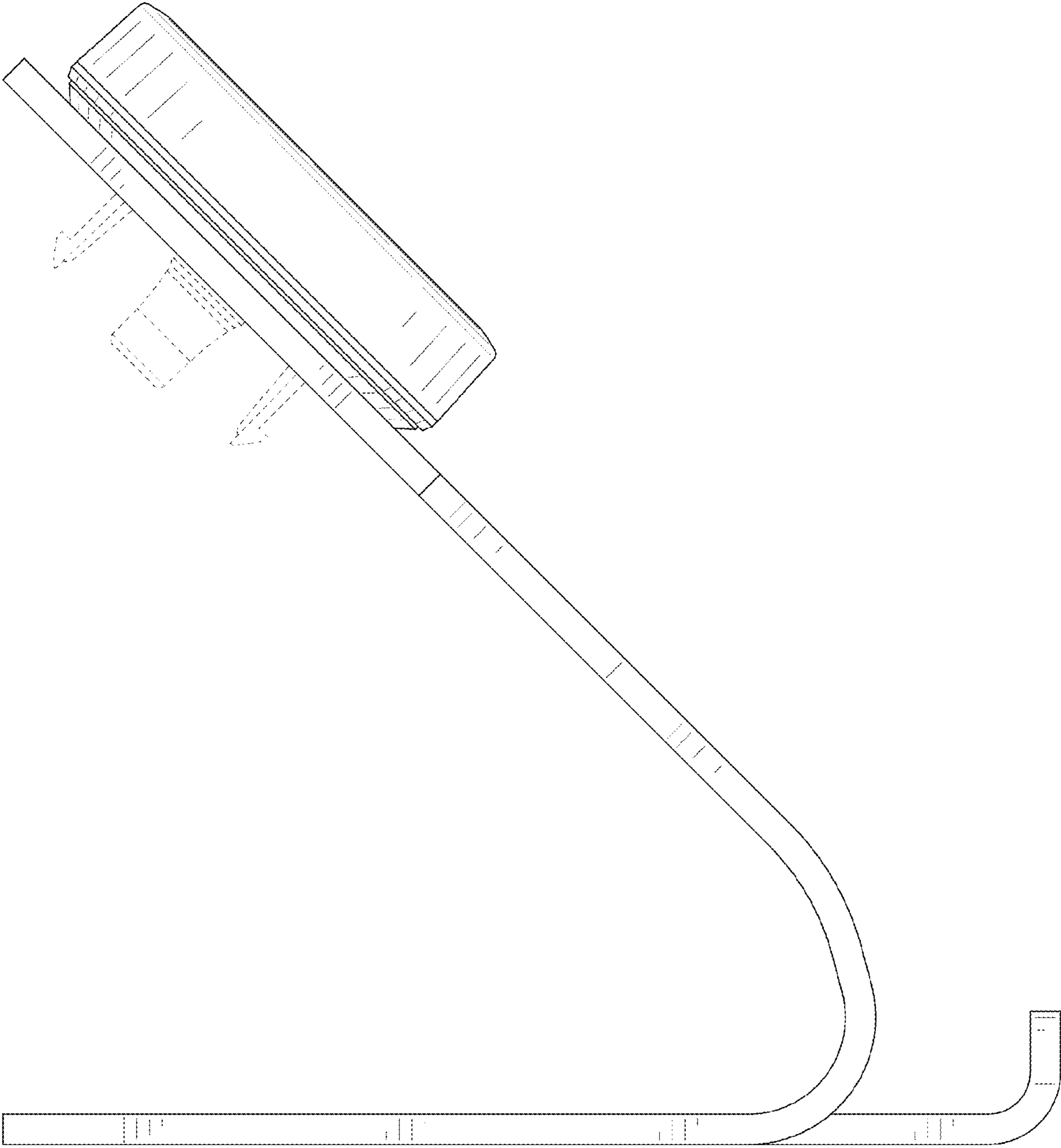


FIG. 5

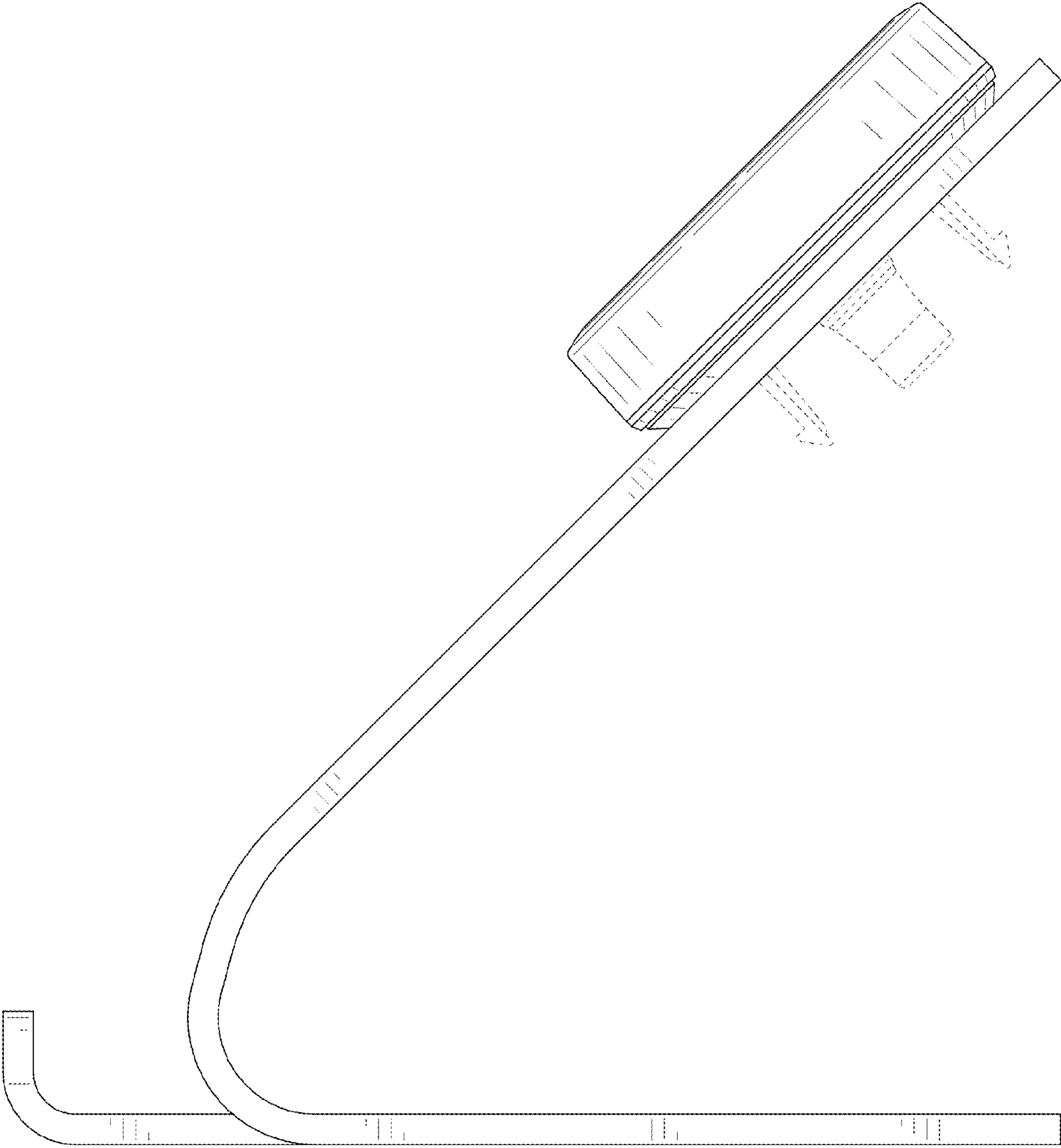


FIG. 6

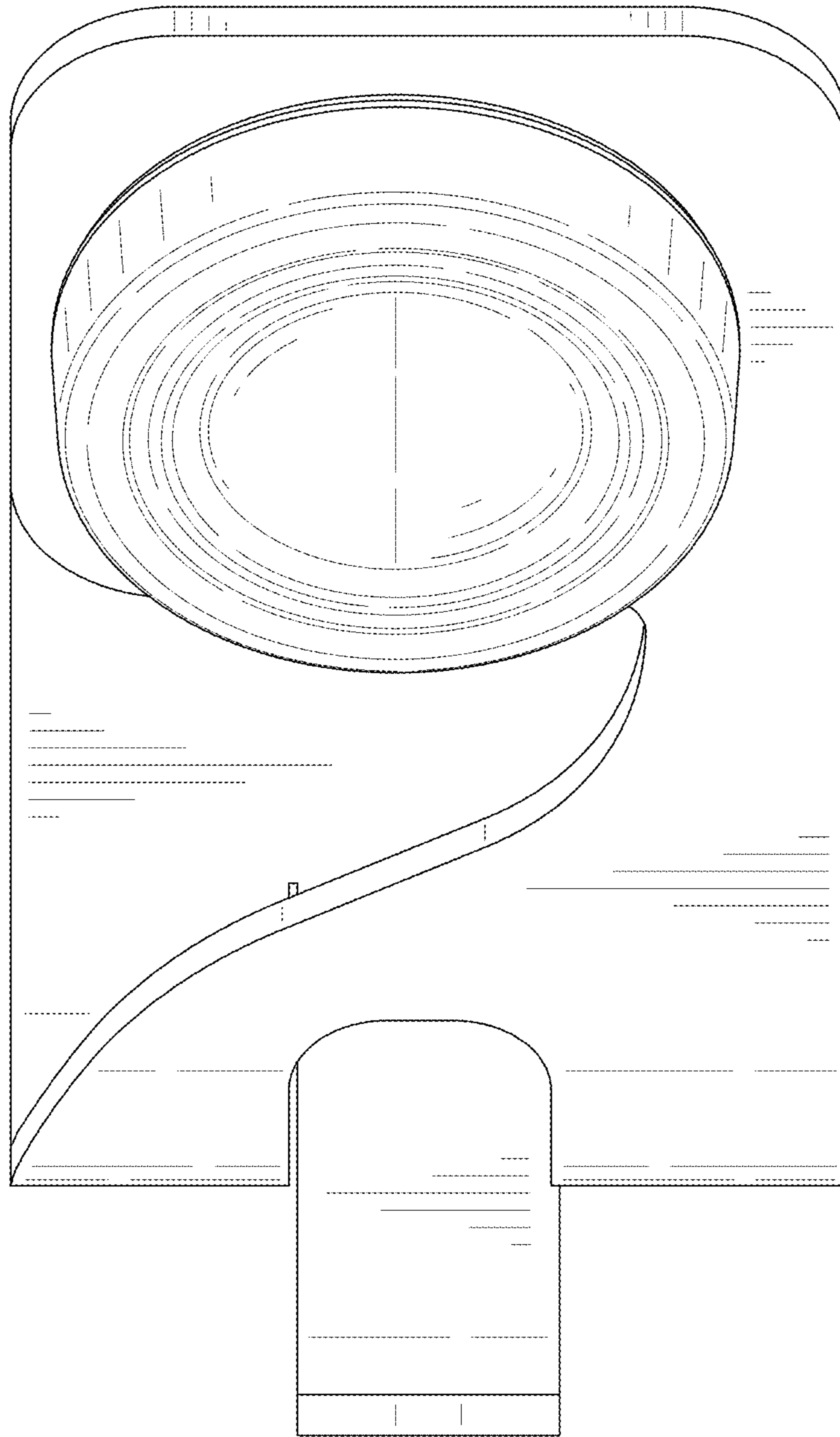


FIG. 7

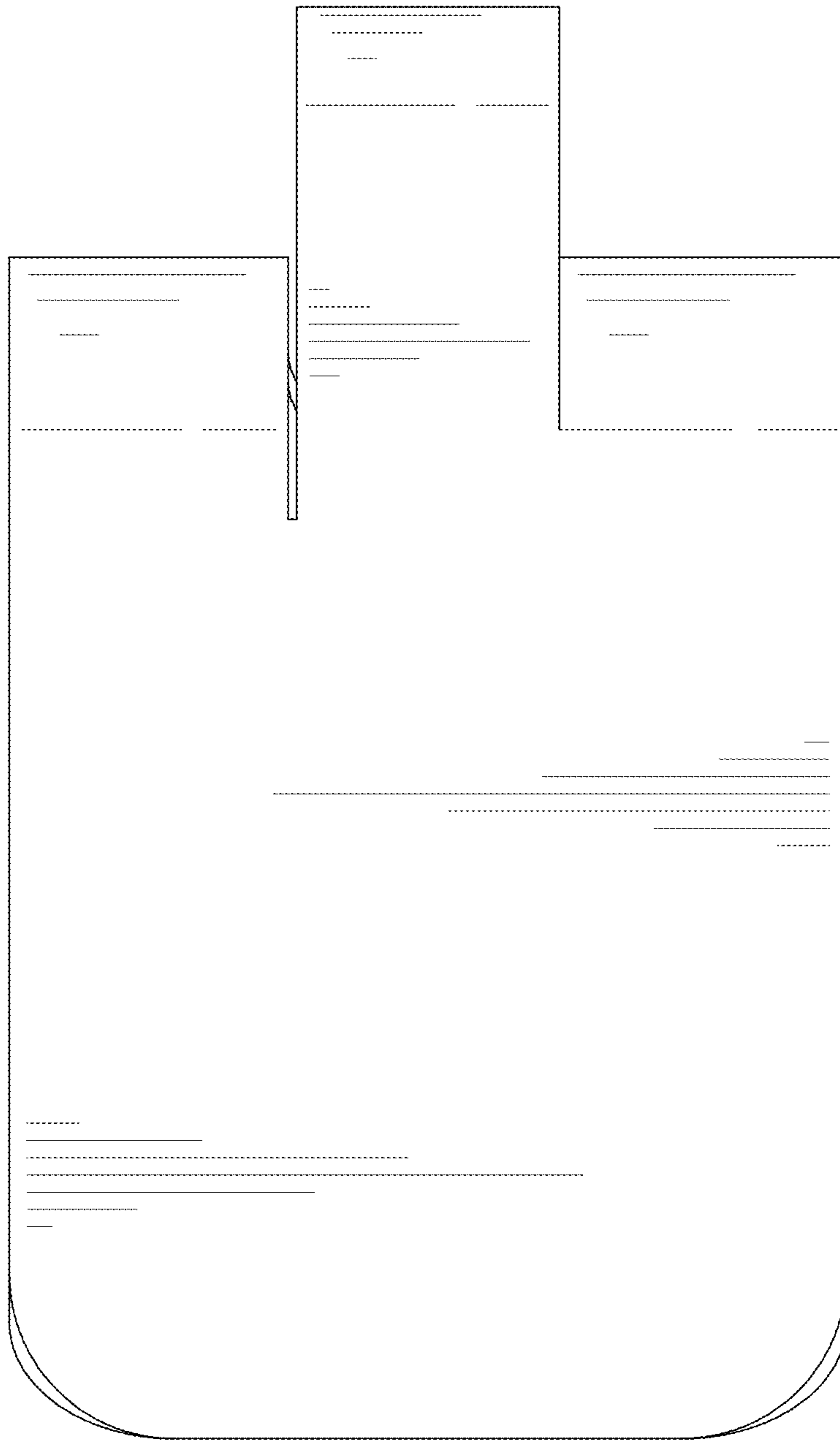


FIG. 8