



US00D938409S

(12) **United States Design Patent**
Zheng

(10) **Patent No.:** **US D938,409 S**

(45) **Date of Patent:** **** Dec. 14, 2021**

(54) **MOBILE PHONE STAND**

(71) Applicant: **Shenzhen Ruibao Technology Co., Ltd.**, Shenzhen (CN)

(72) Inventor: **Ya Zheng**, Shenzhen (CN)

(**) Term: **15 Years**

(21) Appl. No.: **29/760,524**

(22) Filed: **Dec. 2, 2020**

(51) **LOC (13) Cl.** **14-03**

(52) **U.S. Cl.**
USPC **D14/253**

(58) **Field of Classification Search**
USPC D14/251–253, 440, 447, 217; D12/415; D3/218; D13/108
CPC H04M 1/04; H04M 1/21; F16M 13/00; F16M 11/041; B60R 11/0241; B60R 11/0252; B60R 2011/0059; B60R 2011/0063; B60R 2011/0005; B60R 2011/0003; B60R 2011/0078; H02J 7/0027; H02J 2310/22; A45F 2200/0516; A45F 5/00; A45F 2200/0525; A45C 2011/002; G03B 17/561
See application file for complete search history.

(56) **References Cited**

U.S. PATENT DOCUMENTS

D703,676 S * 4/2014 Smith D14/447
D829,725 S * 10/2018 Luo D14/447

D839,869 S * 2/2019 Wang D14/253
D867,356 S 11/2019 Tan
D879,766 S 3/2020 Fan
D899,419 S 10/2020 Liao
D903,689 S * 12/2020 Zheng D14/447
D912,654 S * 3/2021 Weng D14/253
D920,981 S * 6/2021 Zhang D14/434
D931,291 S * 9/2021 Lye D14/447

* cited by examiner

Primary Examiner — Janice Hallmark

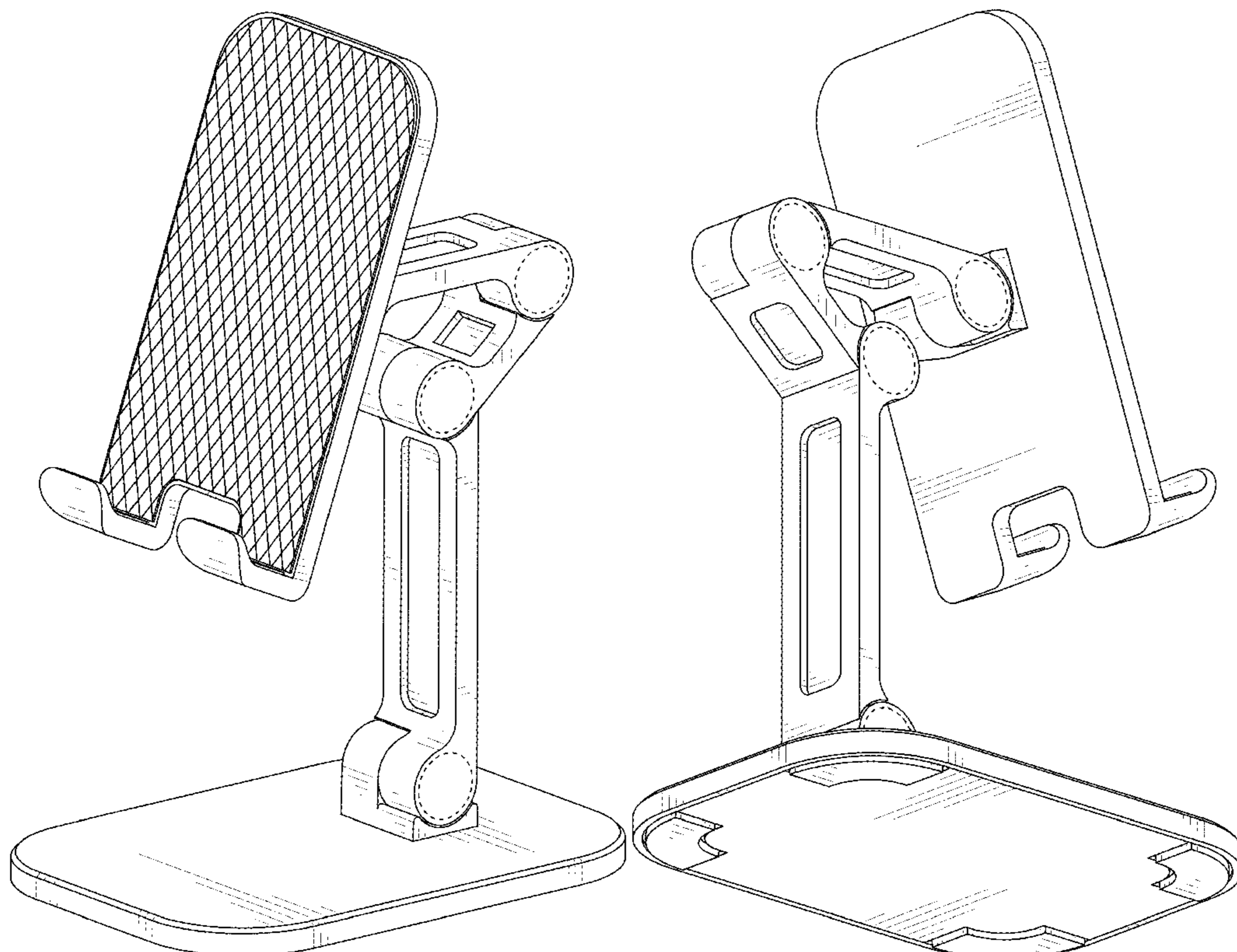
(57) **CLAIM**

The ornamental design for a mobile phone stand, as shown and described.

DESCRIPTION

FIG. 1 is a first perspective view of a mobile phone stand showing my new design;
FIG. 2 is a second perspective view thereof;
FIG. 3 is a front view thereof;
FIG. 4 is a back view thereof;
FIG. 5 is a left side view thereof;
FIG. 6 is a right side view thereof;
FIG. 7 is a top view thereof;
FIG. 8 is a bottom view thereof; and,
FIG. 9 is a perspective view of another state of the mobile phone stand thereof.
The broken lines shown in the drawings depict portions of the mobile phone stand in which the design is embodied that form no part of the claimed design.

1 Claim, 9 Drawing Sheets



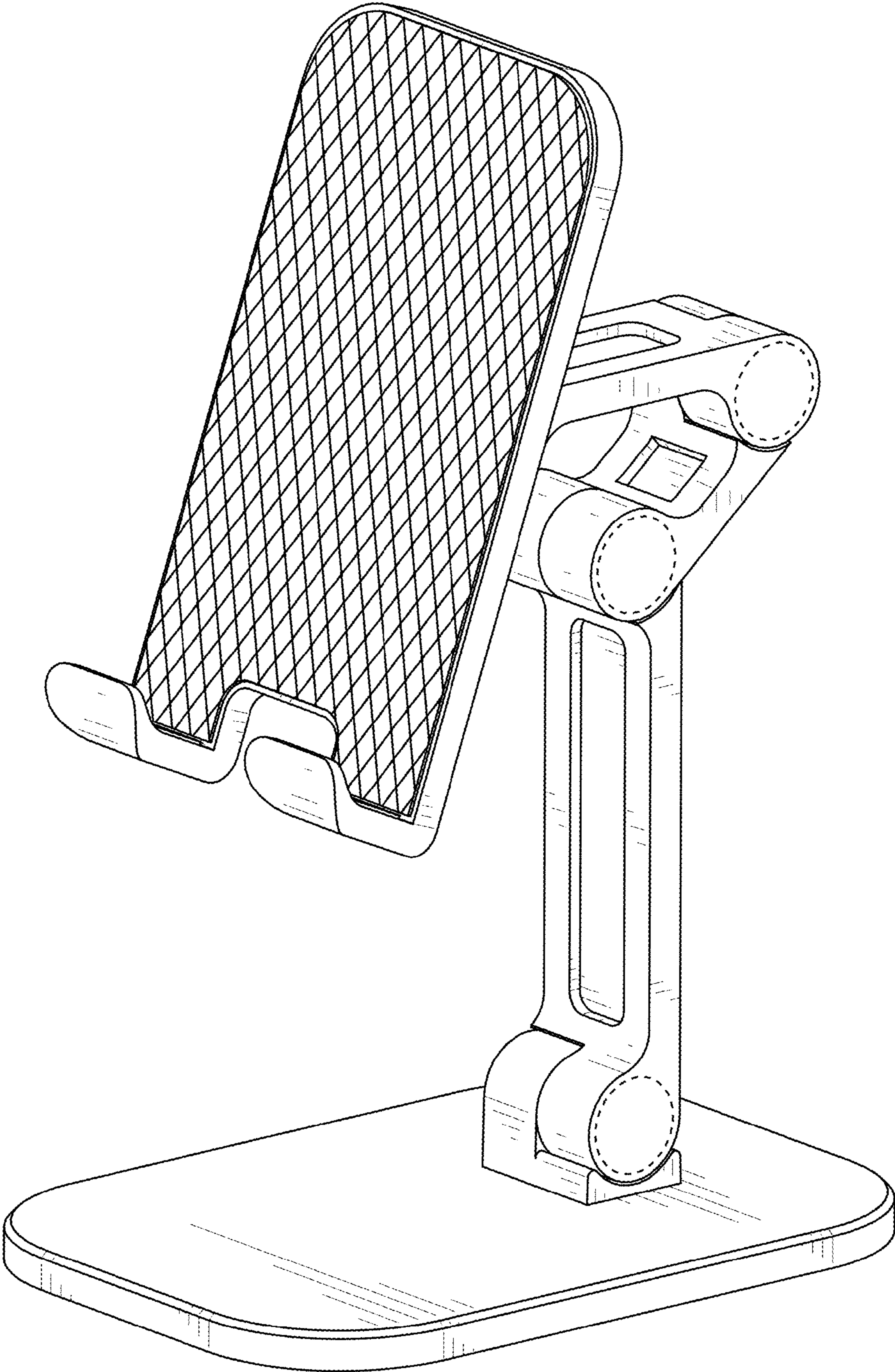


FIG. 1

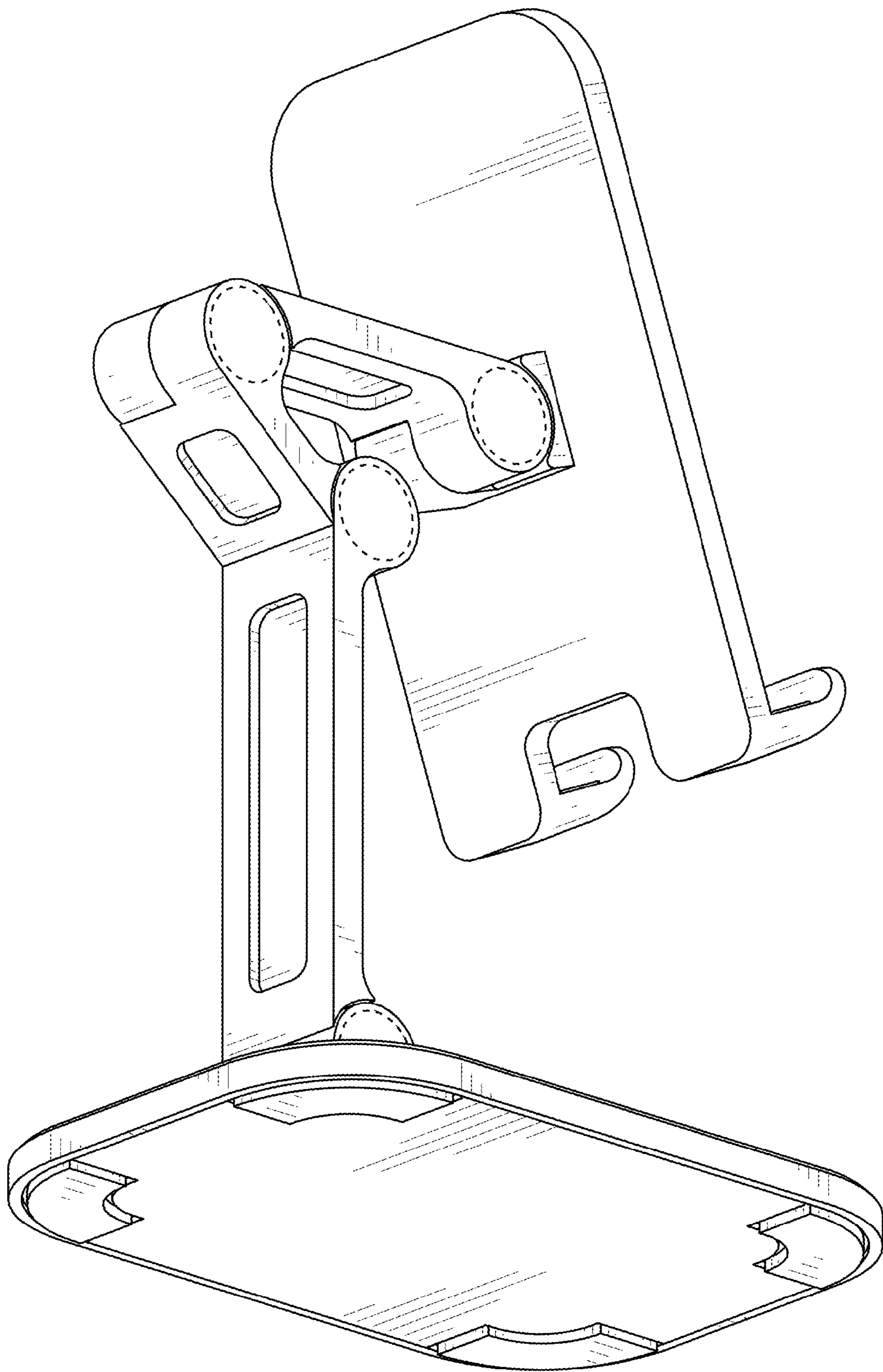


FIG. 2

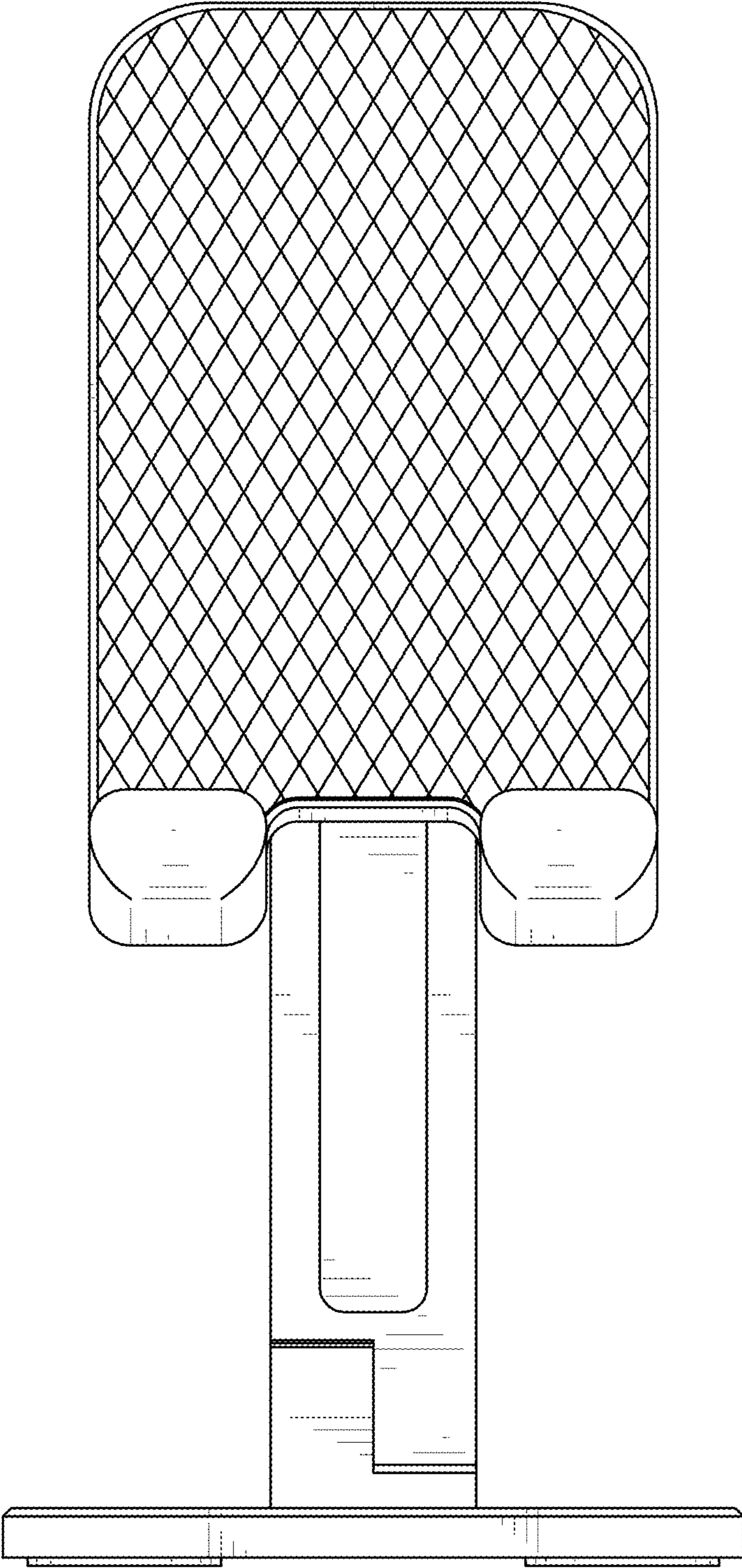


FIG. 3

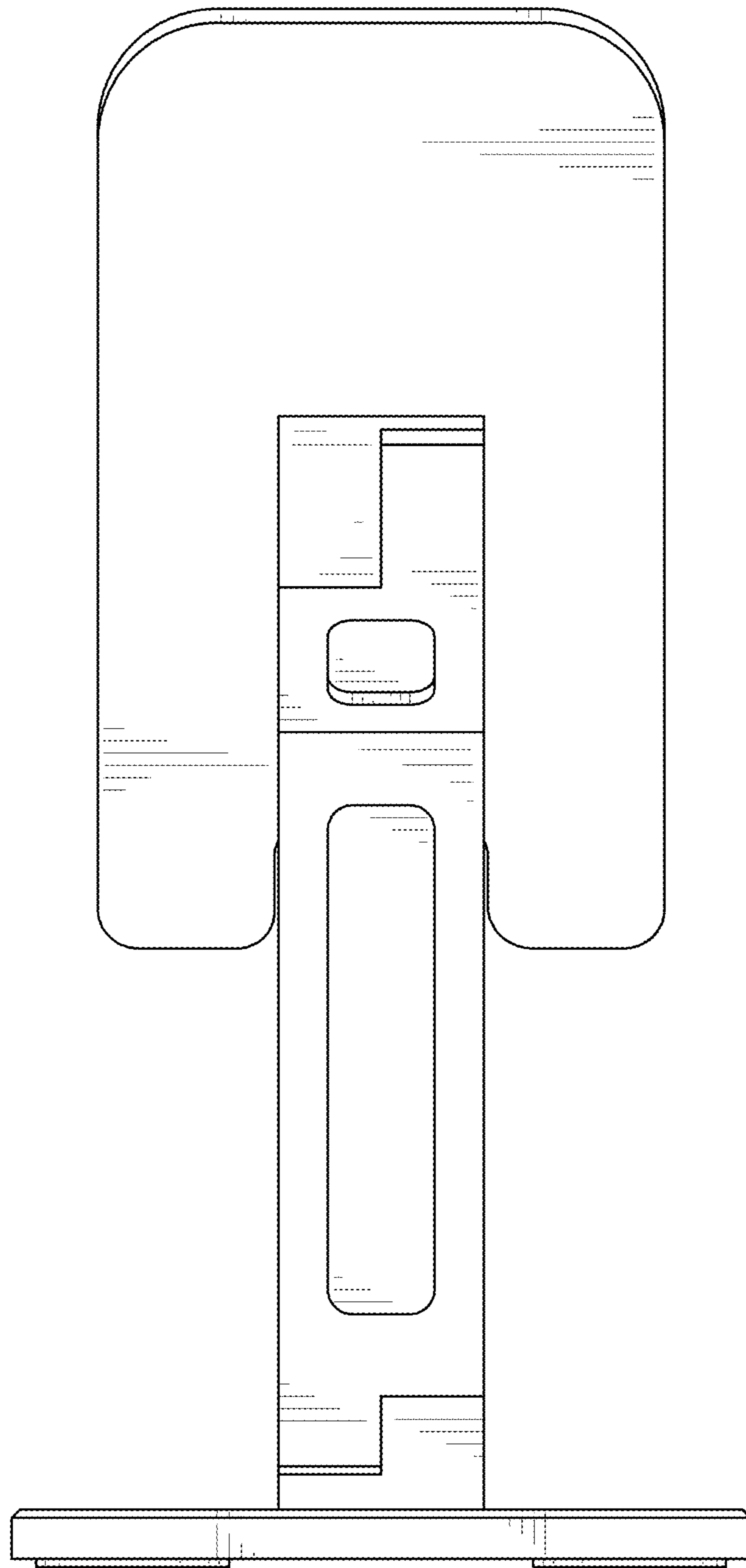


FIG. 4

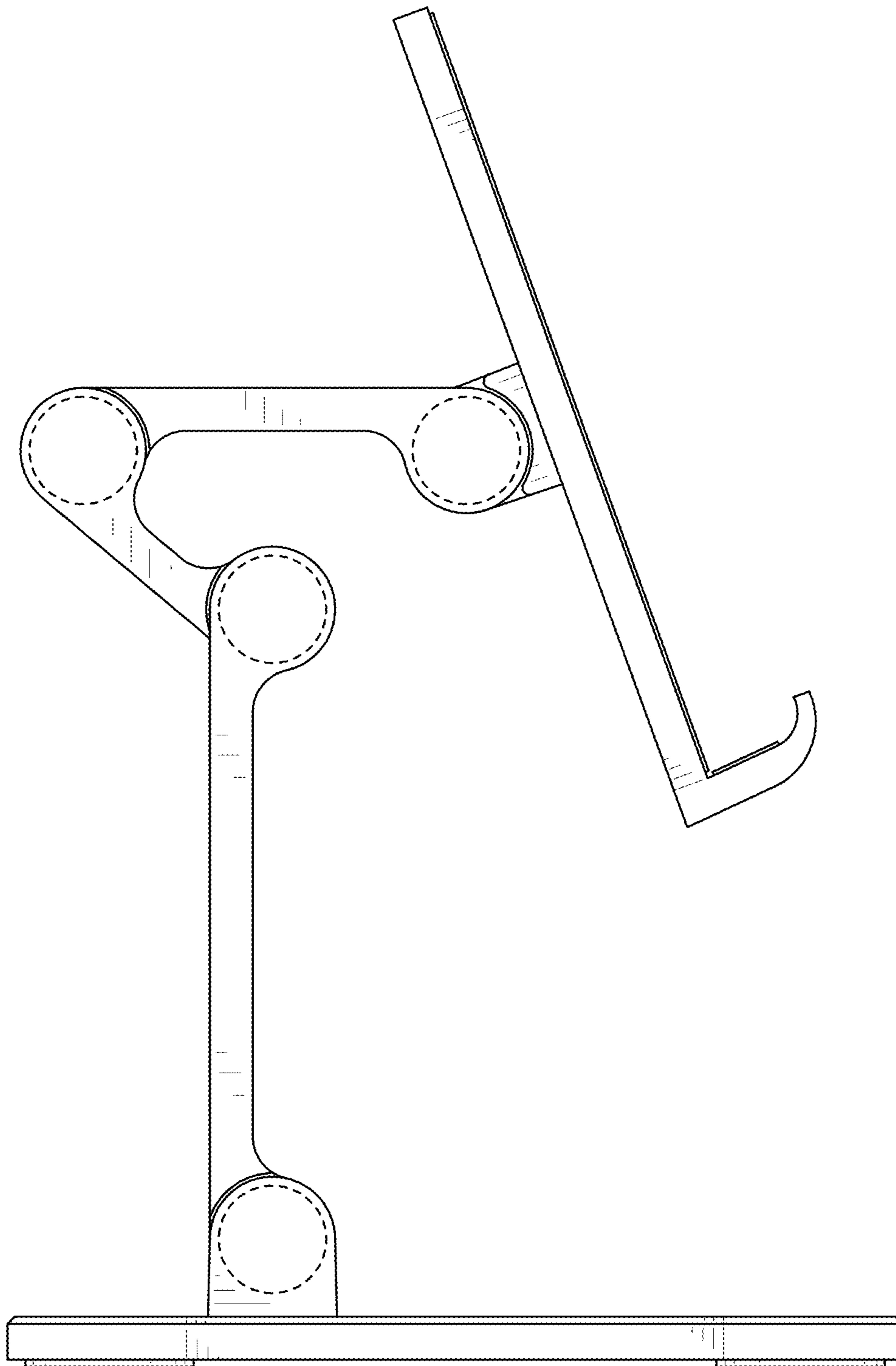


FIG. 5

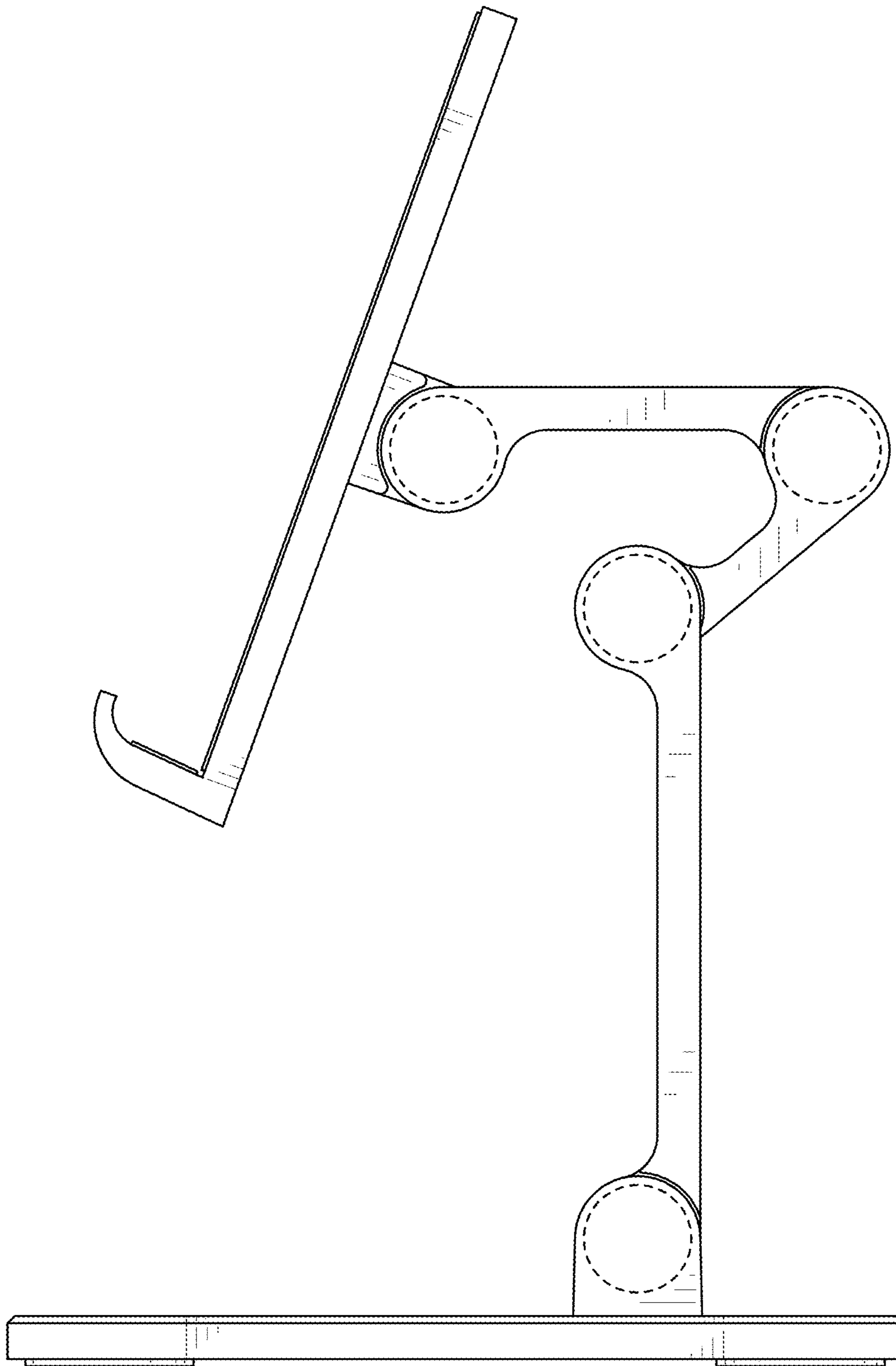


FIG. 6

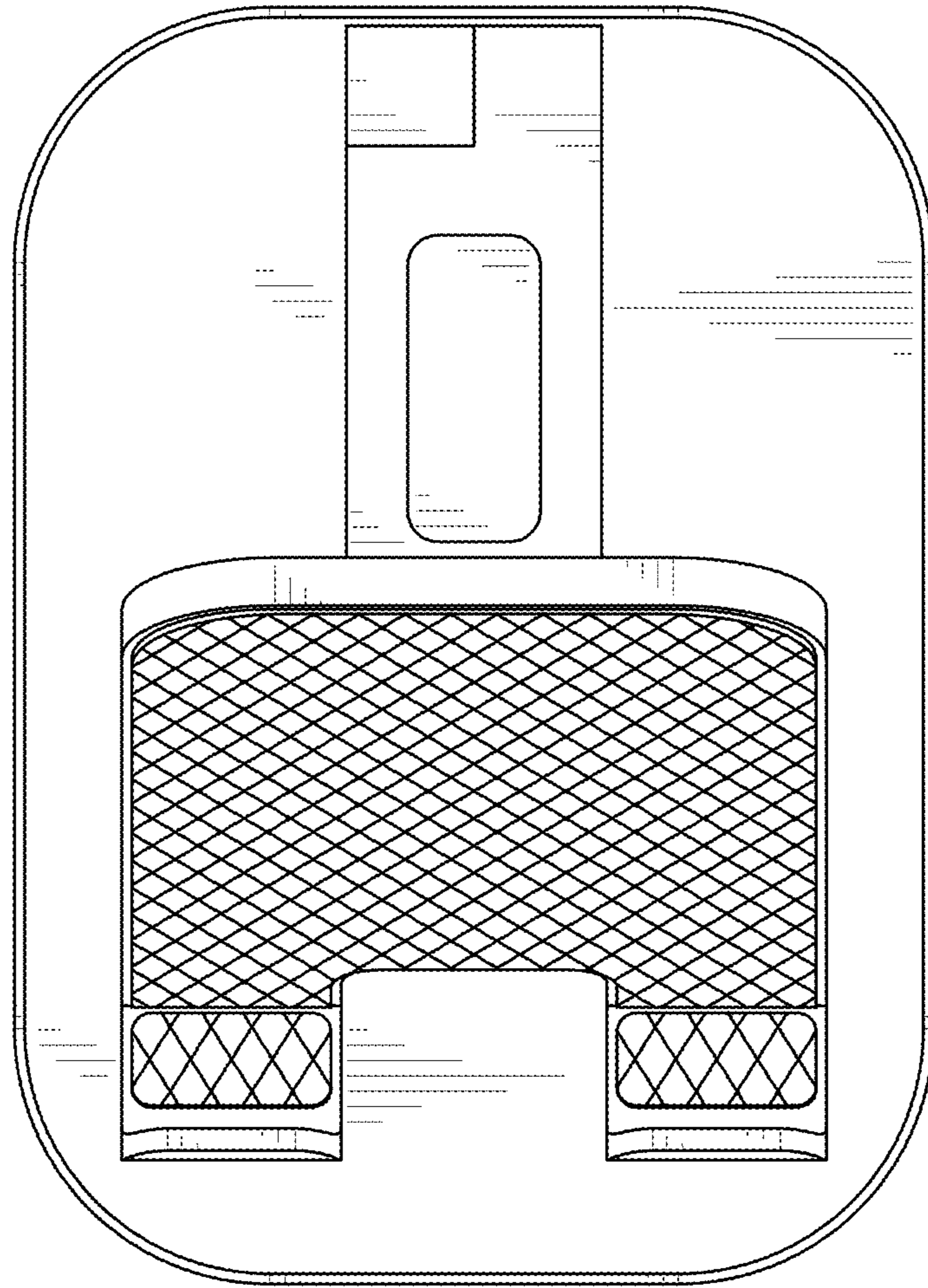


FIG. 7

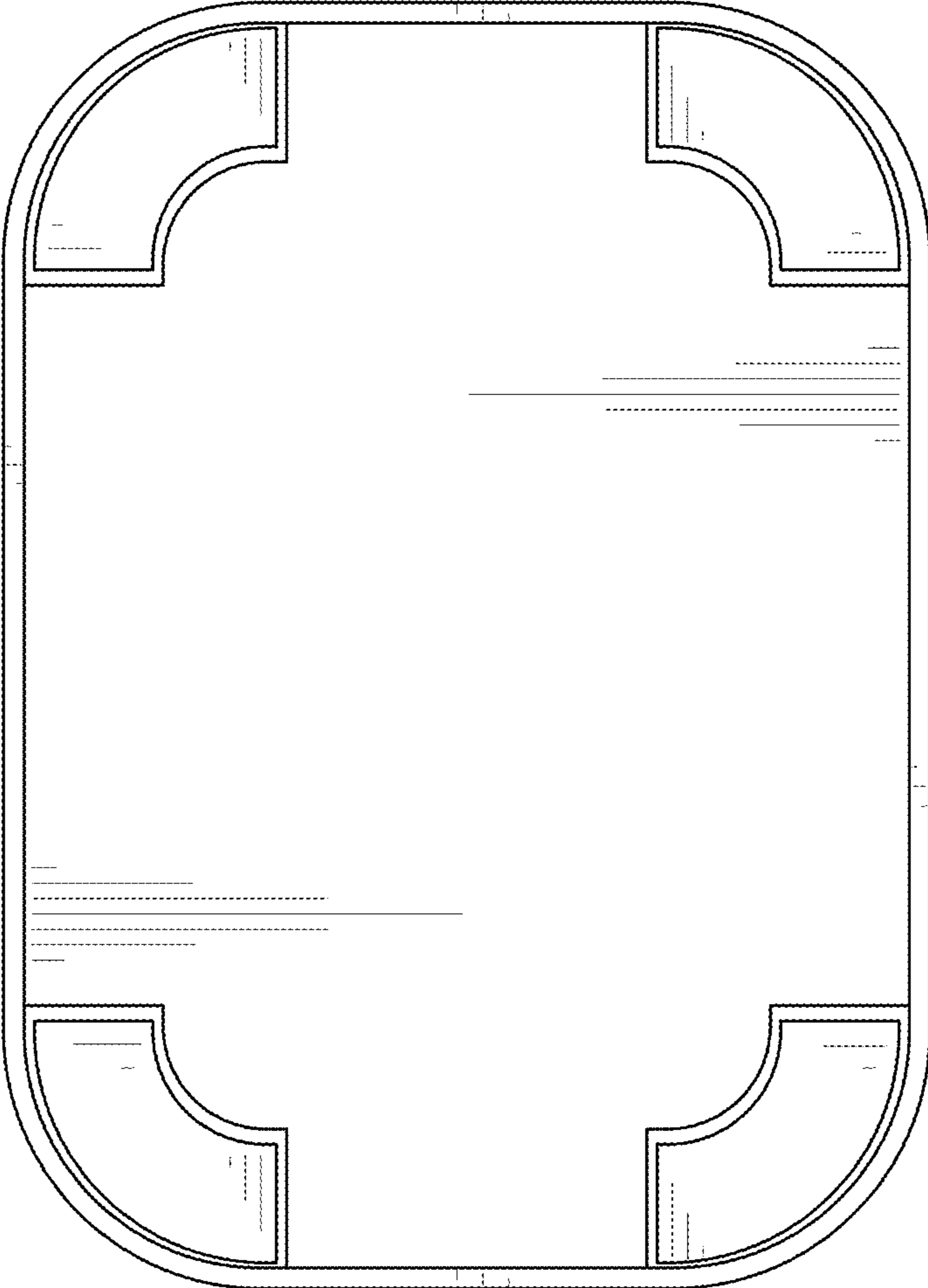


FIG. 8

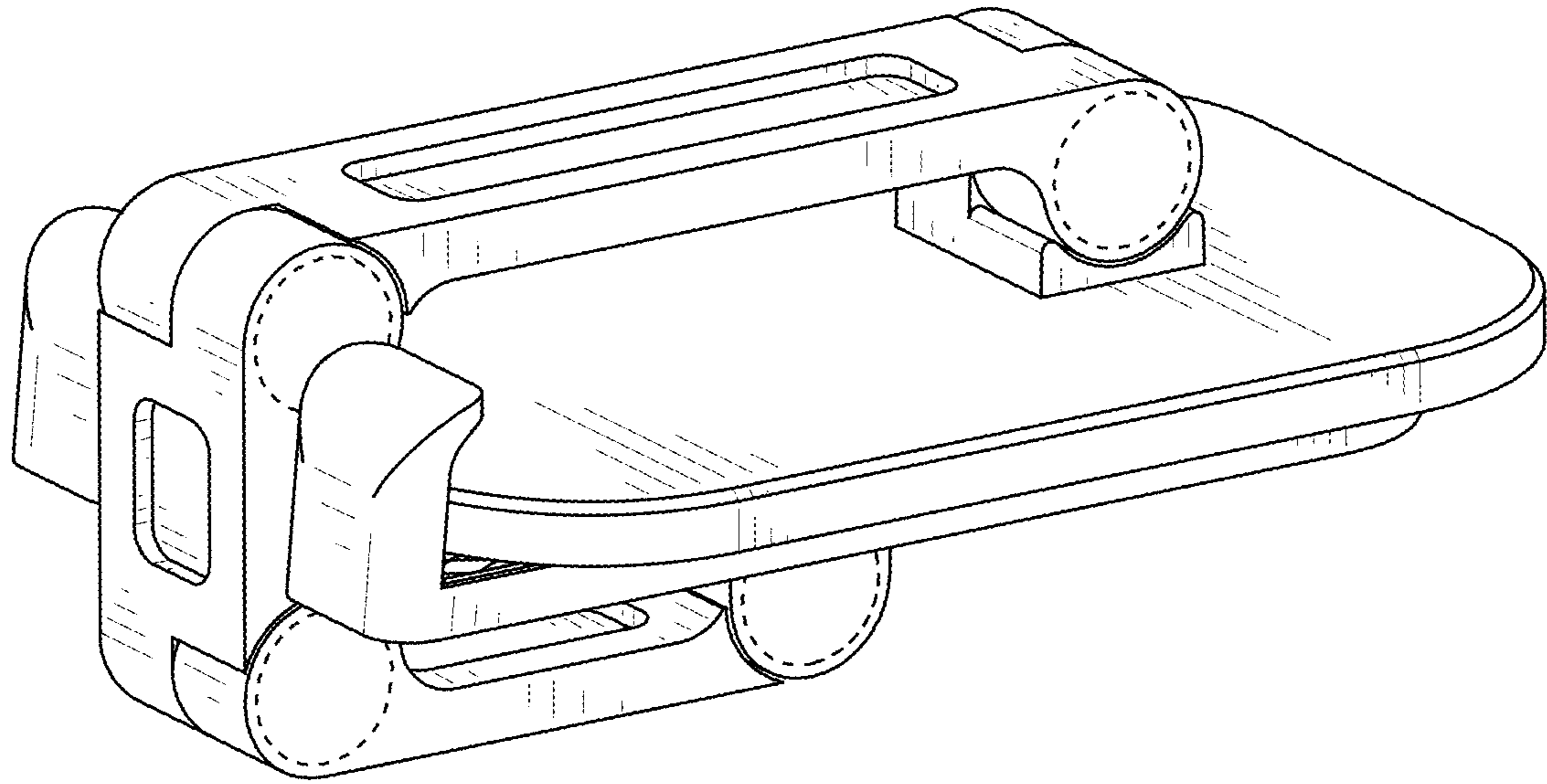


FIG. 9