



US00D938407S

(12) **United States Design Patent**  
**Ukachukwu**

(10) **Patent No.:** **US D938,407 S**  
(45) **Date of Patent:** **\*\* Dec. 14, 2021**

- (54) **PHONE CASE**
- (71) Applicant: **Charles Ukachukwu**, Toronto (CA)
- (72) Inventor: **Charles Ukachukwu**, Toronto (CA)
- (\*\*) Term: **15 Years**
- (21) Appl. No.: **29/746,004**
- (22) Filed: **Aug. 11, 2020**
- (51) **LOC (13) Cl.** ..... **14-03**
- (52) **U.S. Cl.**  
USPC ..... **D14/250**
- (58) **Field of Classification Search**  
USPC ..... D14/203.3–203.7, 439, 251–253, 447,  
D14/217, 240, 238.1, 250, 440, 248;  
D13/107–108, 103, 119; D3/201, 218,  
D3/247, 249, 269, 273, 301, 303  
CPC . H04B 1/3888; A45C 13/02; A45C 2011/002;  
A45C 1/06; A45C 11/00; A45F 2005/026;  
A45F 2200/0525; A45F 2200/0516;  
H04M 1/0283; H04M 1/0202  
See application file for complete search history.

(56) **References Cited**

**U.S. PATENT DOCUMENTS**

D559,230 S *	1/2008	Griffin	.....	D14/217
D559,529 S *	1/2008	Griffin	.....	D3/201
D590,386 S *	4/2009	Leith	.....	D14/248
8,016,107 B2	9/2011	Emsky		
8,522,965 B1 *	9/2013	Hsiung	.....	A45C 11/00 206/45.24
8,714,347 B2	5/2014	Mongan		
D715,803 S *	10/2014	Major	.....	D14/447
8,978,883 B2	3/2015	Gandhi		
D763,853 S *	8/2016	Pearce	.....	D14/440
D763,857 S	8/2016	Dang		
9,538,675 B2	1/2017	Le Gette		
D780,166 S *	2/2017	Lin	.....	D14/250
D786,235 S *	5/2017	Huotari	.....	D14/253
9,788,621 B2	10/2017	Kim		

D803,222 S *	11/2017	Cheng	.....	D14/440
D807,369 S *	1/2018	Chen	.....	D14/440
D810,066 S *	2/2018	Tien	.....	D14/250
D831,030 S *	10/2018	Gao	.....	D14/440
D832,830 S *	11/2018	Kim	.....	D14/250
D850,451 S *	6/2019	Chen	.....	D14/440
D851,648 S *	6/2019	Tan	.....	D14/440
D860,984 S *	9/2019	Stagge	.....	D14/250
D862,446 S *	10/2019	Jia	.....	D14/250
D868,052 S *	11/2019	Jia	.....	D14/250
D868,789 S *	12/2019	Weng	.....	D14/440
D869,466 S *	12/2019	Chu	.....	D14/434

(Continued)

**FOREIGN PATENT DOCUMENTS**

WO WO2012097328 7/2012

*Primary Examiner* — Carla J Wright

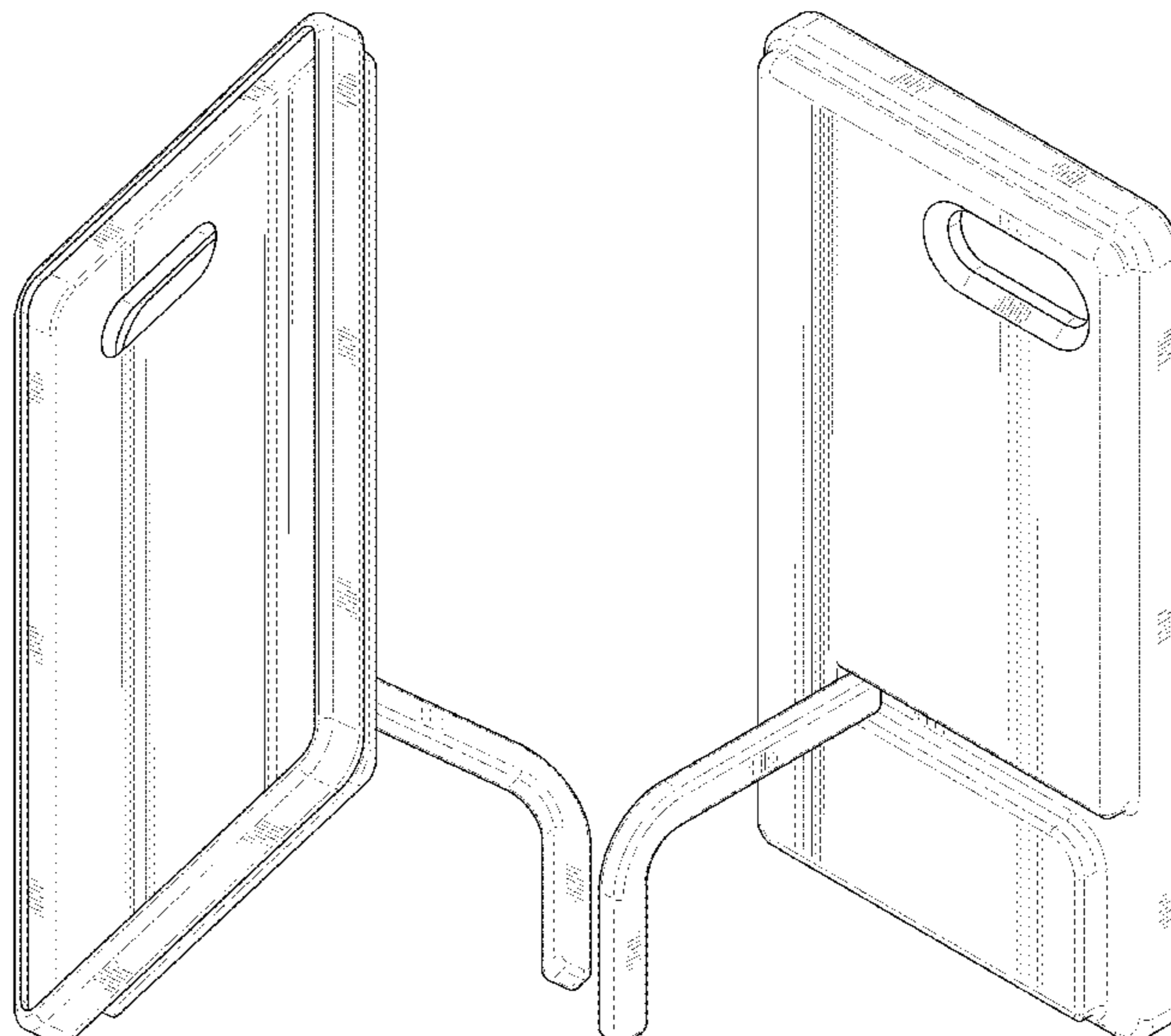
(57) **CLAIM**

The ornamental design for a phone case, as shown and described.

**DESCRIPTION**

FIG. 1 is a front view of a phone case showing my new design;  
 FIG. 2 is a rear view of the phone case;  
 FIG. 3 is a right side view of the phone case;  
 FIG. 4 is a left side view of the phone case;  
 FIG. 5 is a top view of the phone case;  
 FIG. 6 is a bottom view of the phone case;  
 FIG. 7 is a bottom front side perspective view of the phone case;  
 FIG. 8 is a top rear side perspective view of the phone case;  
 and,  
 FIG. 9 is a bottom front side perspective view of the phone case in use.  
 The broken lines in FIG. 9 are illustrative of environmental structure forming no part of the claimed design.

**1 Claim, 8 Drawing Sheets**



(56)

**References Cited**

U.S. PATENT DOCUMENTS

D872,091 S \* 1/2020 Lu ..... D14/440  
D881,893 S \* 4/2020 Zanxiang ..... D14/440  
2010/0072334 A1\* 3/2010 Le Gette ..... F16M 11/10  
248/176.3  
2012/0006950 A1\* 1/2012 Vandiver ..... F16M 11/105  
248/176.3  
2012/0075799 A1\* 3/2012 Pollex ..... G06F 1/1628  
361/679.56  
2014/0262854 A1\* 9/2014 Chen ..... A45C 11/00  
206/45.24  
2016/0045002 A1\* 2/2016 Butts ..... H05K 5/0086  
224/191  
2016/0066453 A1\* 3/2016 Quehl ..... G06F 1/166  
206/45.2  
2016/0113368 A1\* 4/2016 Tu ..... A45C 11/00  
206/45.23  
2016/0249472 A1 8/2016 Tu  
2018/0041237 A1\* 2/2018 Mody ..... H04B 1/3877

\* cited by examiner

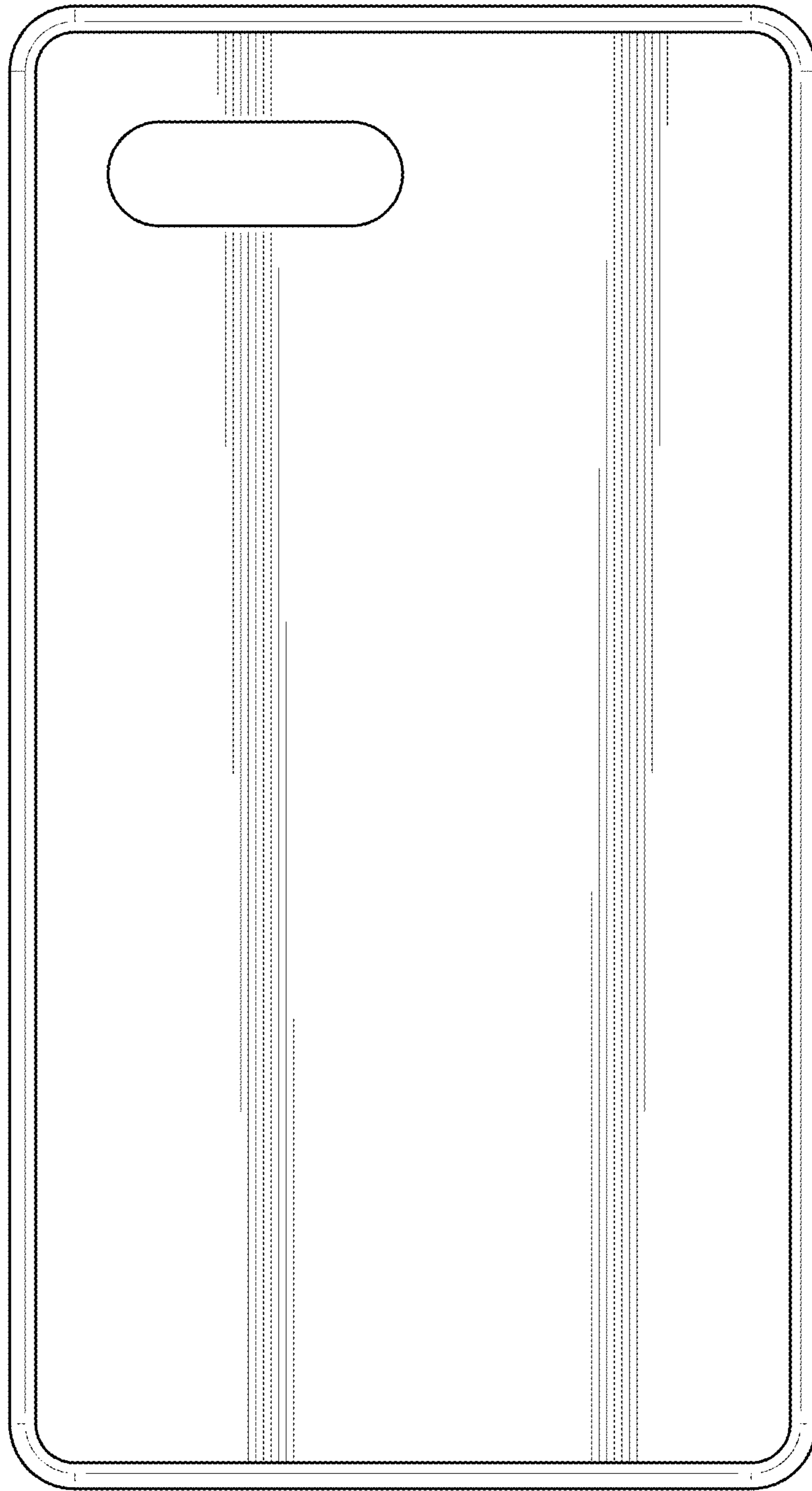


FIG. 1

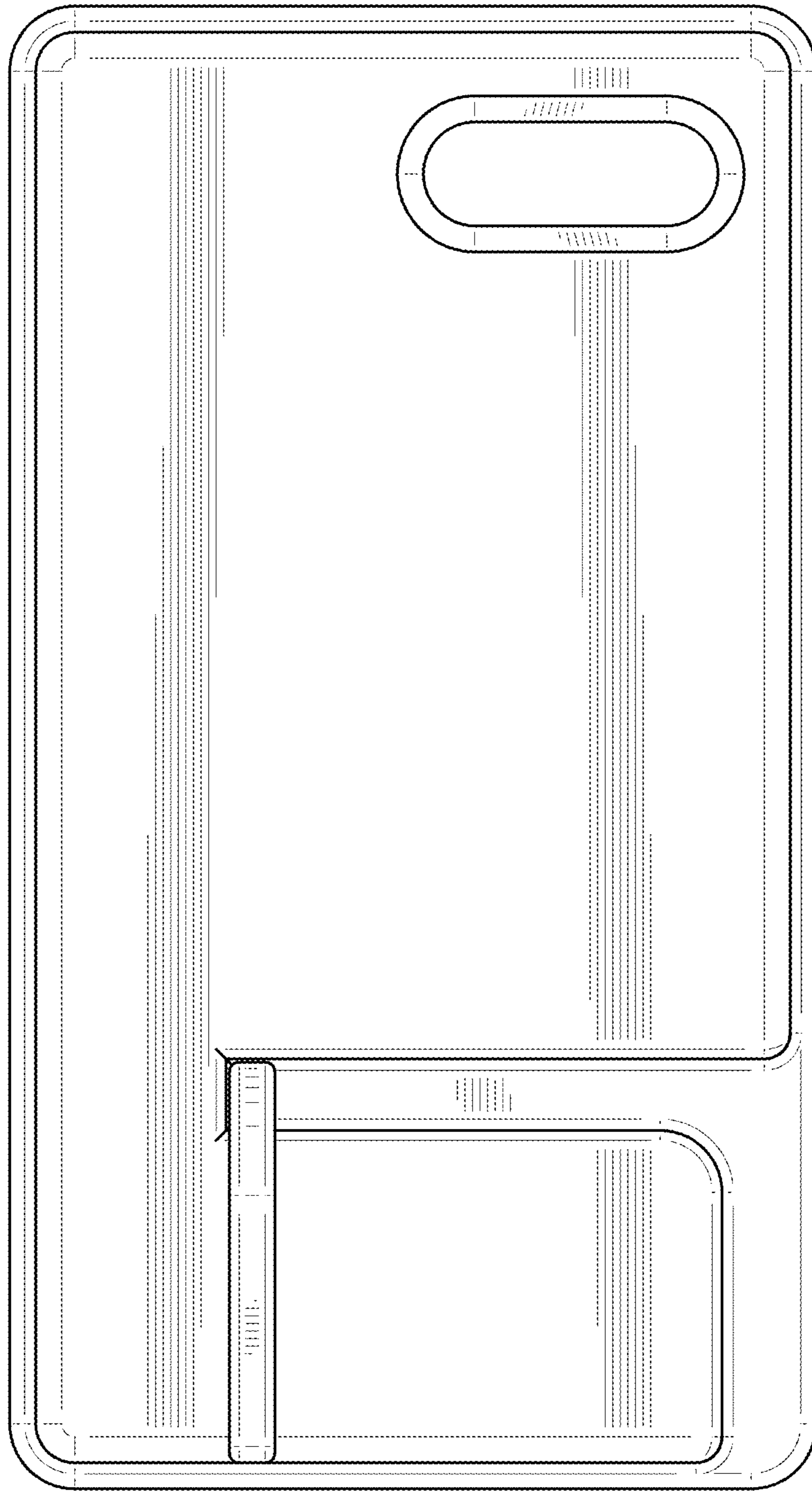


FIG. 2

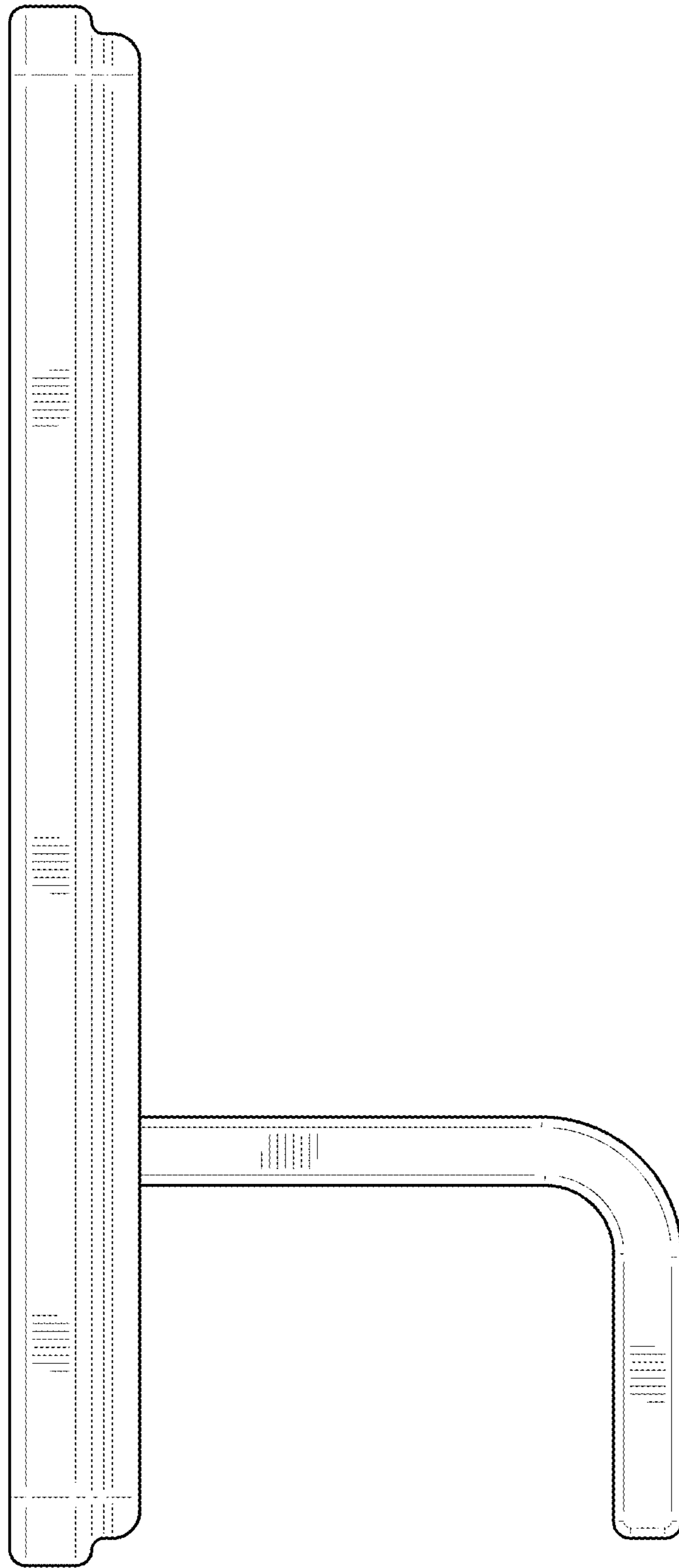


FIG. 3

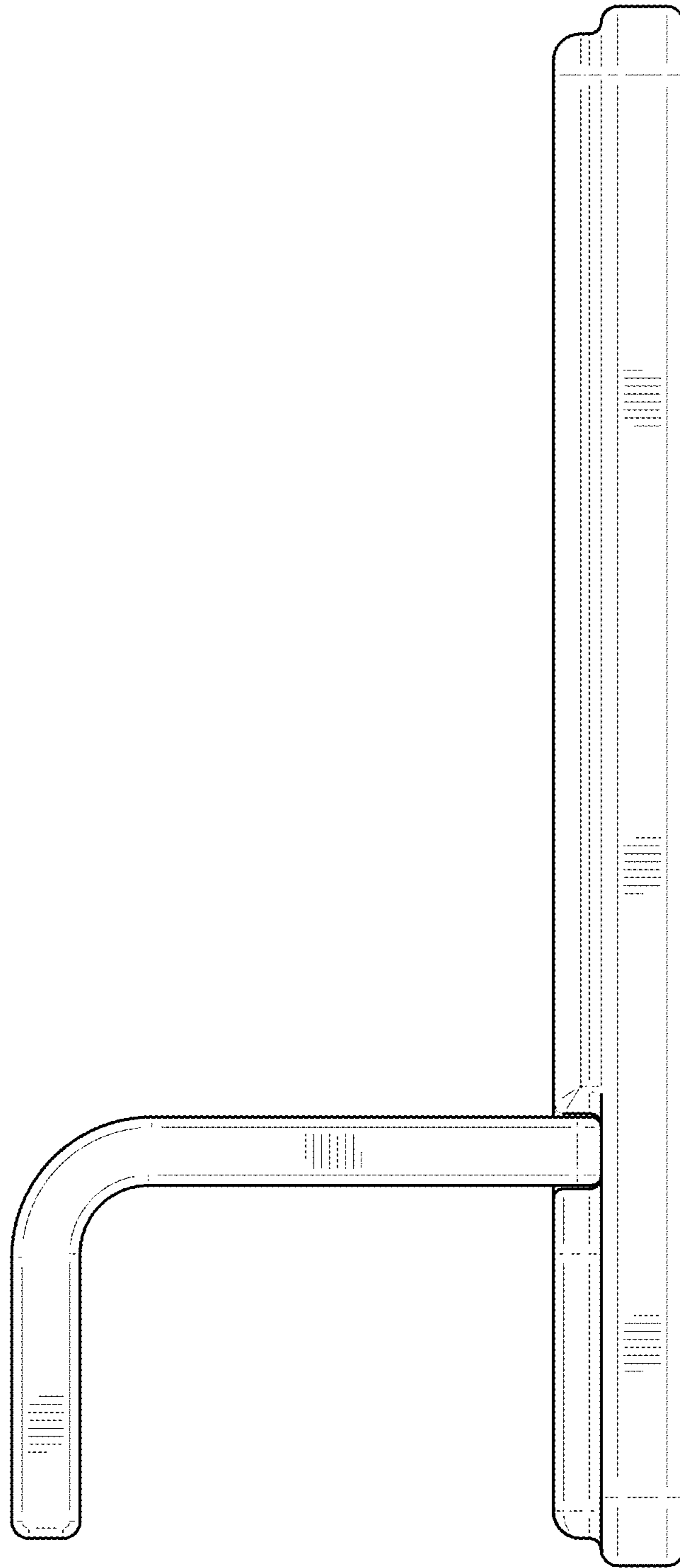


FIG. 4

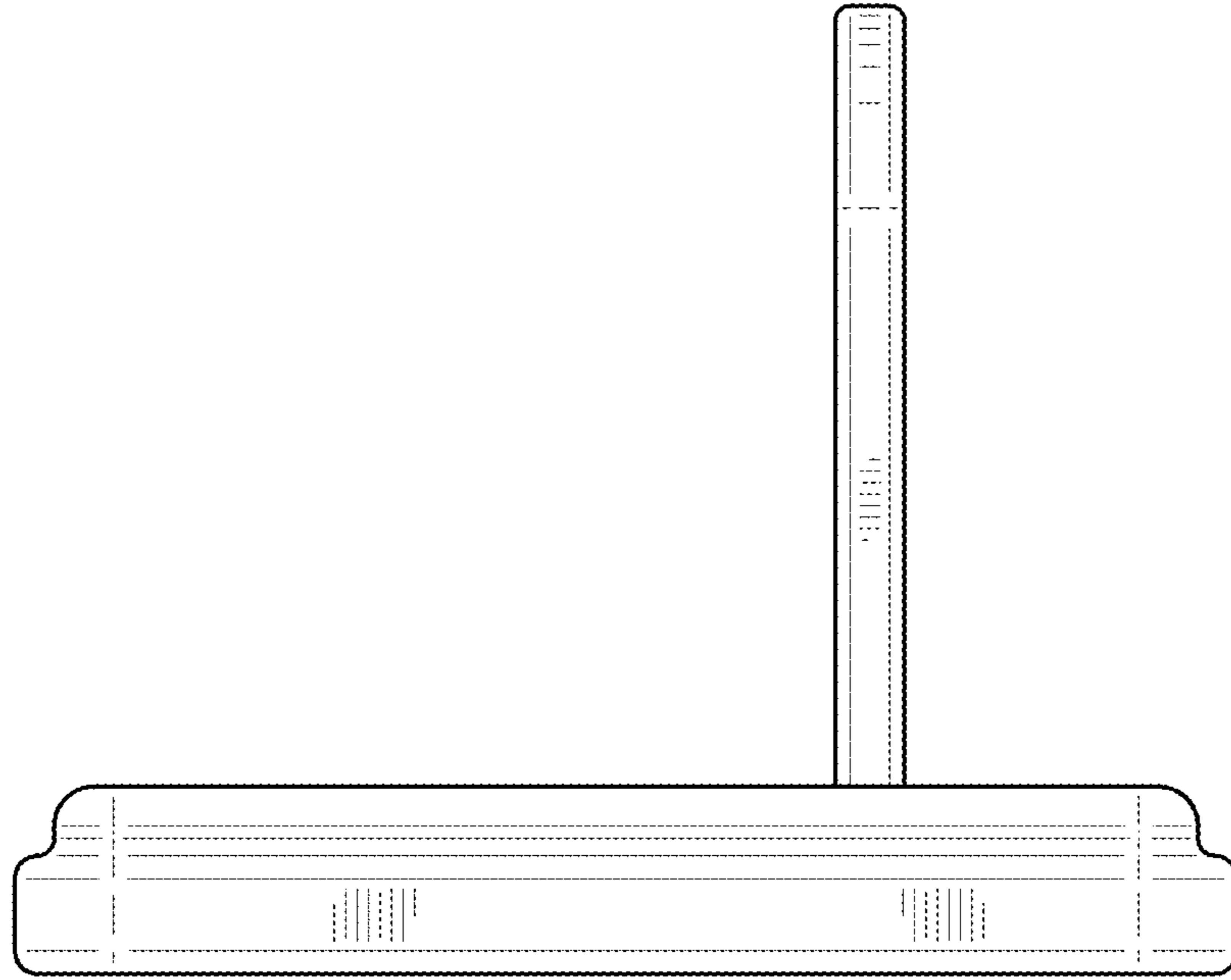


FIG. 5

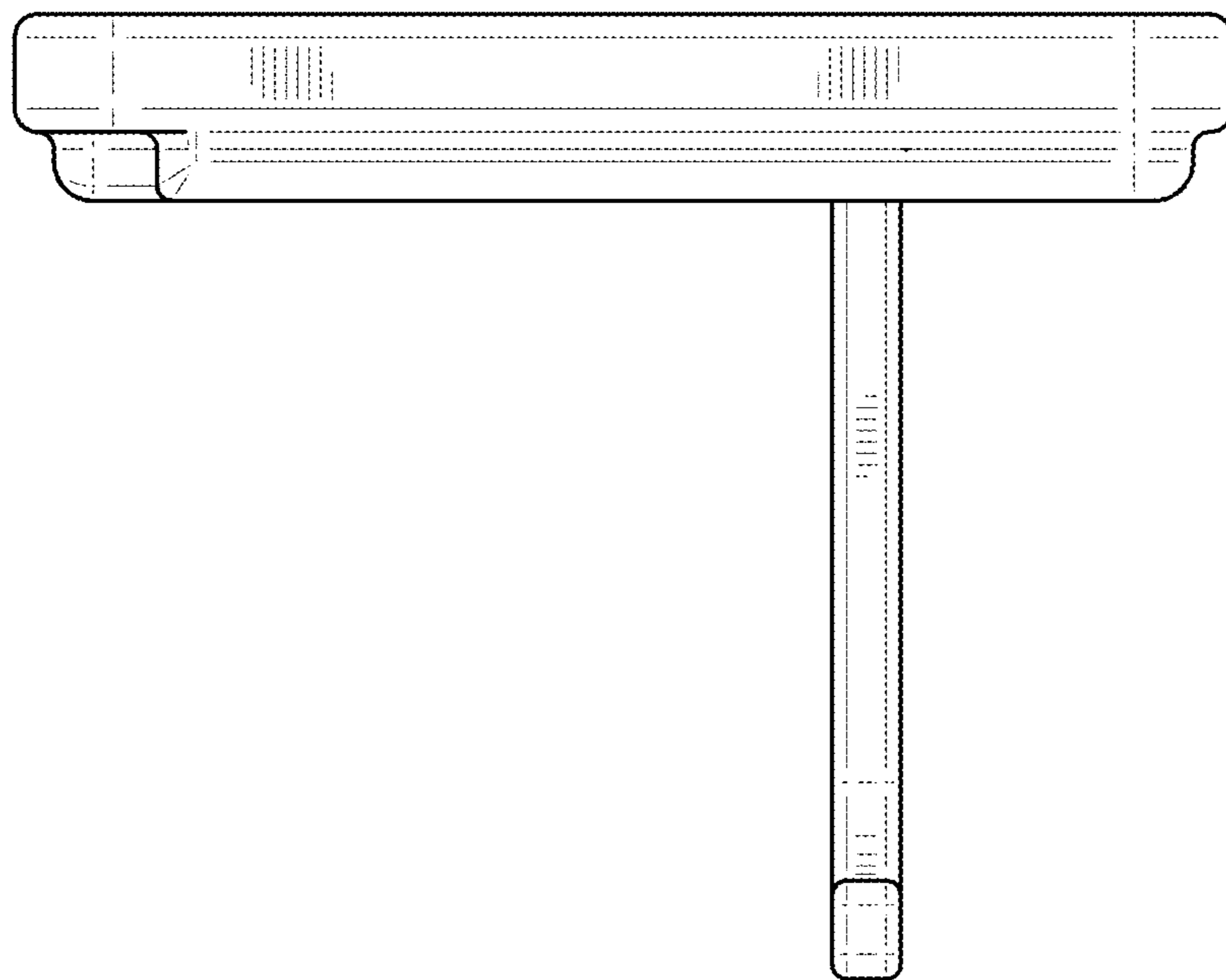


FIG. 6

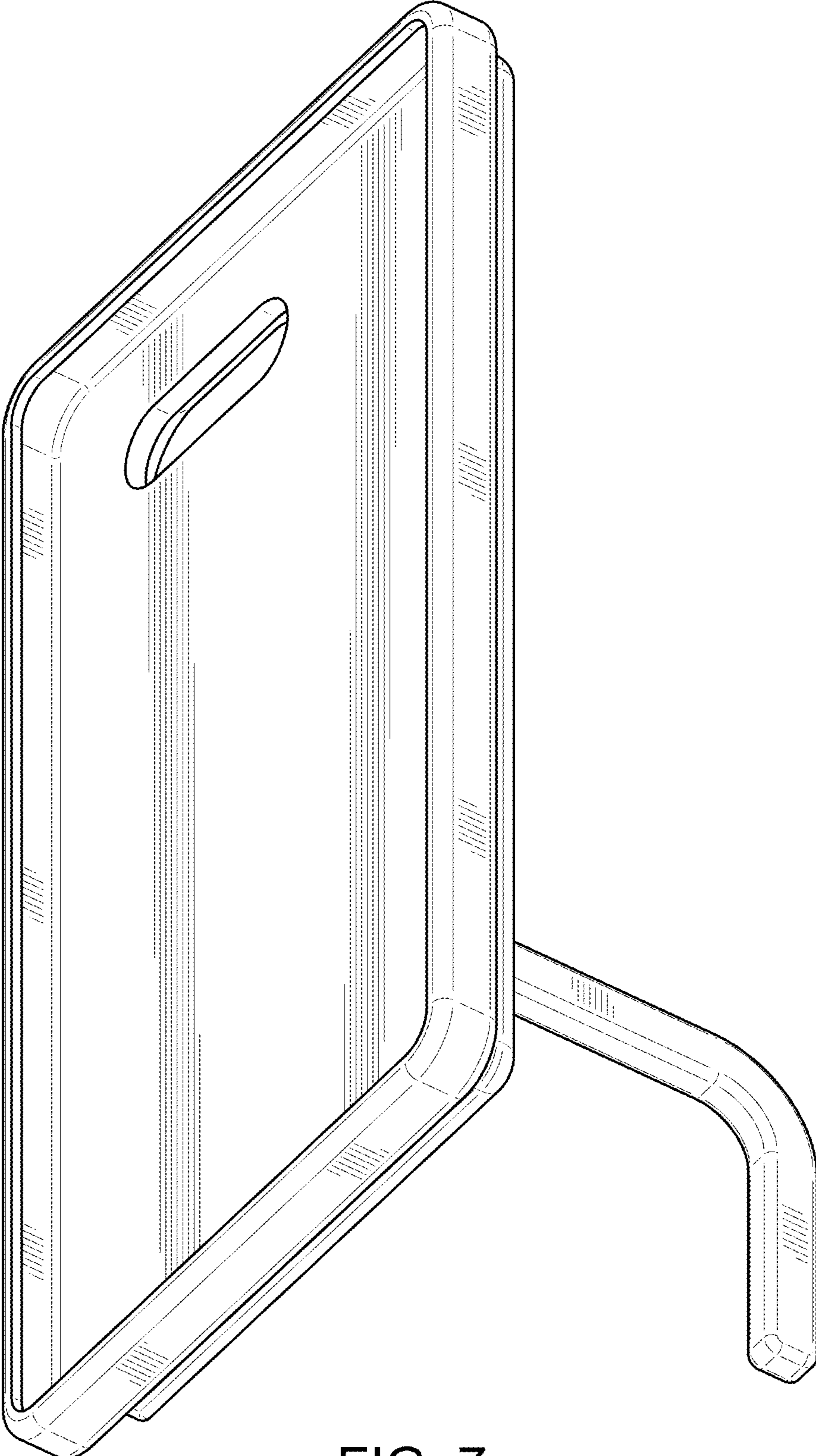


FIG. 7



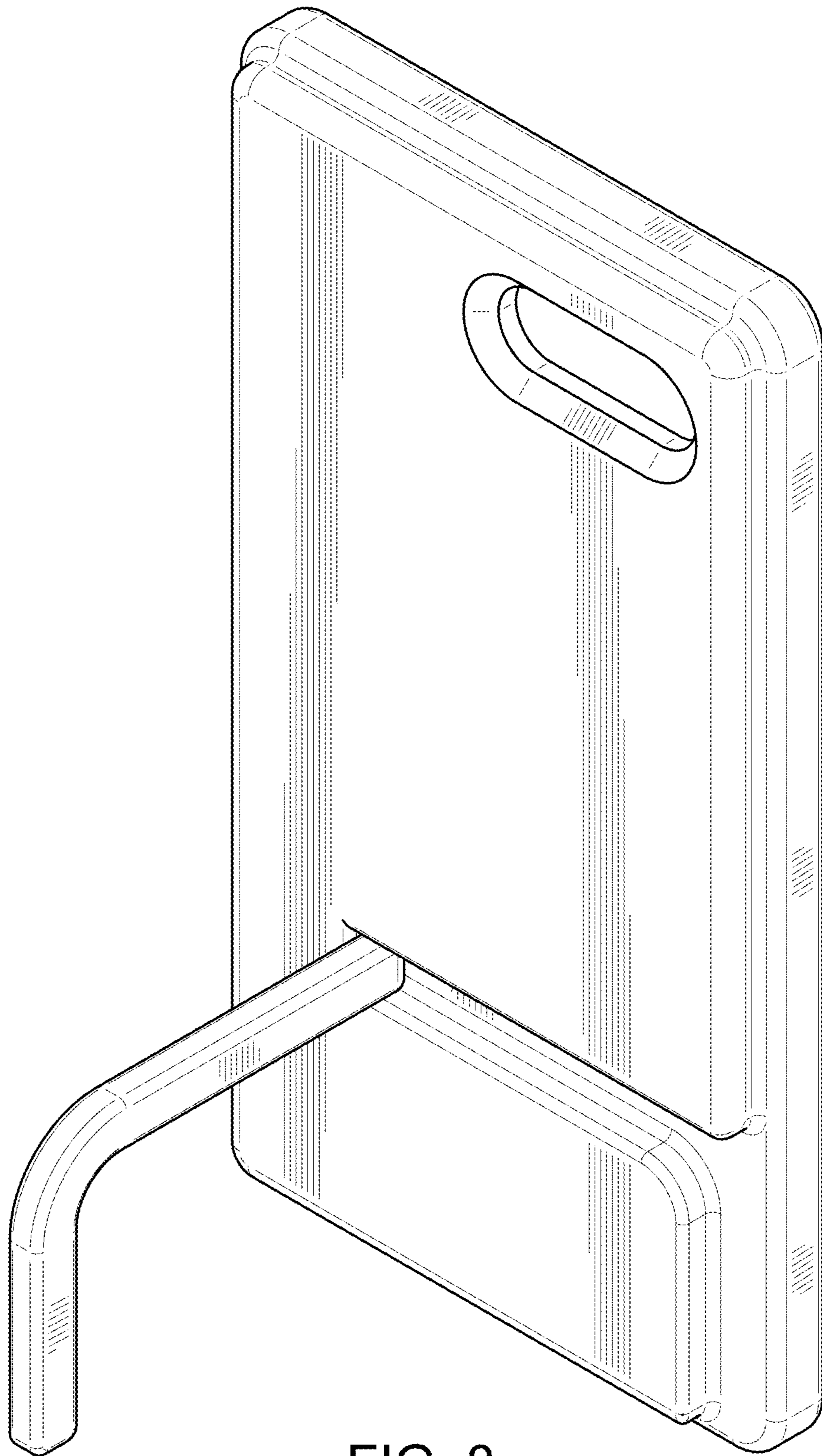


FIG. 8

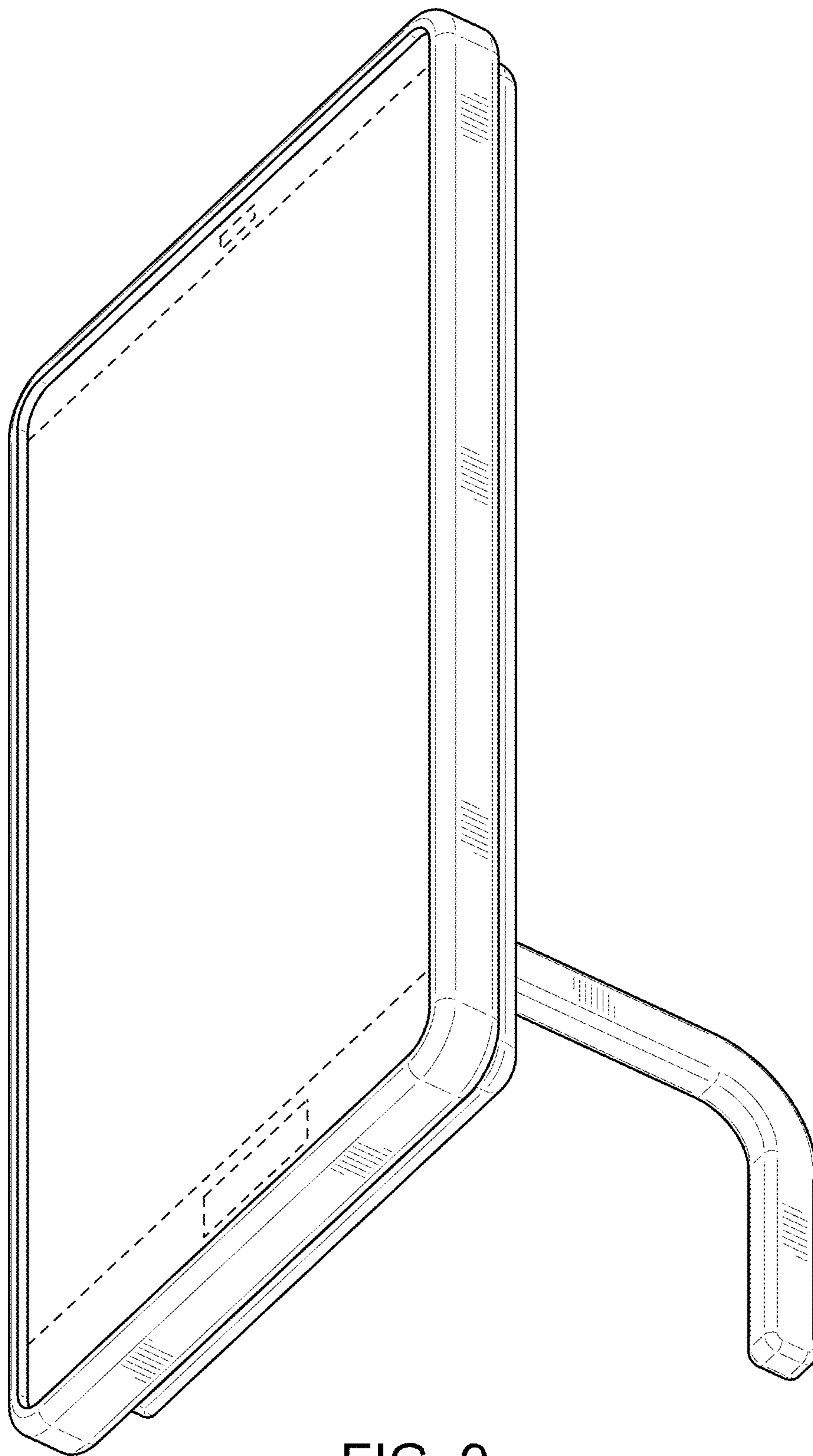


FIG. 9