

US00D938398S

(12) **United States Design Patent**  
**Katz et al.**

(10) **Patent No.:** **US D938,398 S**

(45) **Date of Patent:** **\*\* Dec. 14, 2021**

(54) **ACTUATOR FOR LOUDSPEAKER**

(71) Applicants: **Foster Electric Company, Limited,**  
Tokyo (JP); **Sync Inc.,** Tokyo (JP)

(72) Inventors: **David Micah Katz,** London (GB);  
**Kazuki Ida,** Tokyo (JP)

(\*\*) Term: **15 Years**

(21) Appl. No.: **35/509,445**

(22) Filed: **Nov. 21, 2019**

(80) **Hague Agreement Data**

Int. Filing Date: **Nov. 21, 2019**

Int. Reg. No.: **DM/208043**

Int. Reg. Date: **Nov. 21, 2019**

Int. Reg. Pub. Date: **May 22, 2020**

(51) **LOC (13) Cl.** ..... **14-01**

(52) **U.S. Cl.**  
USPC ..... **D14/222; D14/215**

(58) **Field of Classification Search**  
USPC ..... D14/172, 188, 194, 203.1, 204, 209.1,  
D14/211, 212, 214, 215, 221, 222  
CPC ..... H04R 2420/07; H04R 5/02; H04R 1/403;  
H04R 2201/028  
See application file for complete search history.

(56) **References Cited**

**U.S. PATENT DOCUMENTS**

D87,690 S \* 8/1932 Sinel ..... D14/215  
D282,540 S \* 2/1986 Clason ..... D14/214

D462,338 S \* 9/2002 Wong ..... D14/215  
D485,256 S \* 1/2004 Allen ..... D14/214  
D519,986 S \* 5/2006 Kamimura ..... D14/214  
D531,989 S \* 11/2006 Dayan ..... D14/215  
D590,373 S \* 4/2009 Brickstad ..... D14/215  
D598,428 S \* 8/2009 Fujiwara ..... D14/214  
D695,715 S \* 12/2013 Burlingame ..... D14/217  
D726,152 S \* 4/2015 Ferber ..... D14/215  
D739,381 S \* 9/2015 Workman ..... D14/215  
D768,112 S \* 10/2016 Azhari ..... D14/215  
D804,454 S \* 12/2017 Katsuno ..... D14/222  
D821,361 S \* 6/2018 Shoda ..... D14/221  
D852,781 S \* 7/2019 Hotson ..... D14/215  
D864,914 S \* 10/2019 Kitamura ..... D14/216

\* cited by examiner

*Primary Examiner* — L. A. Grabenstetter

(57) **CLAIM**

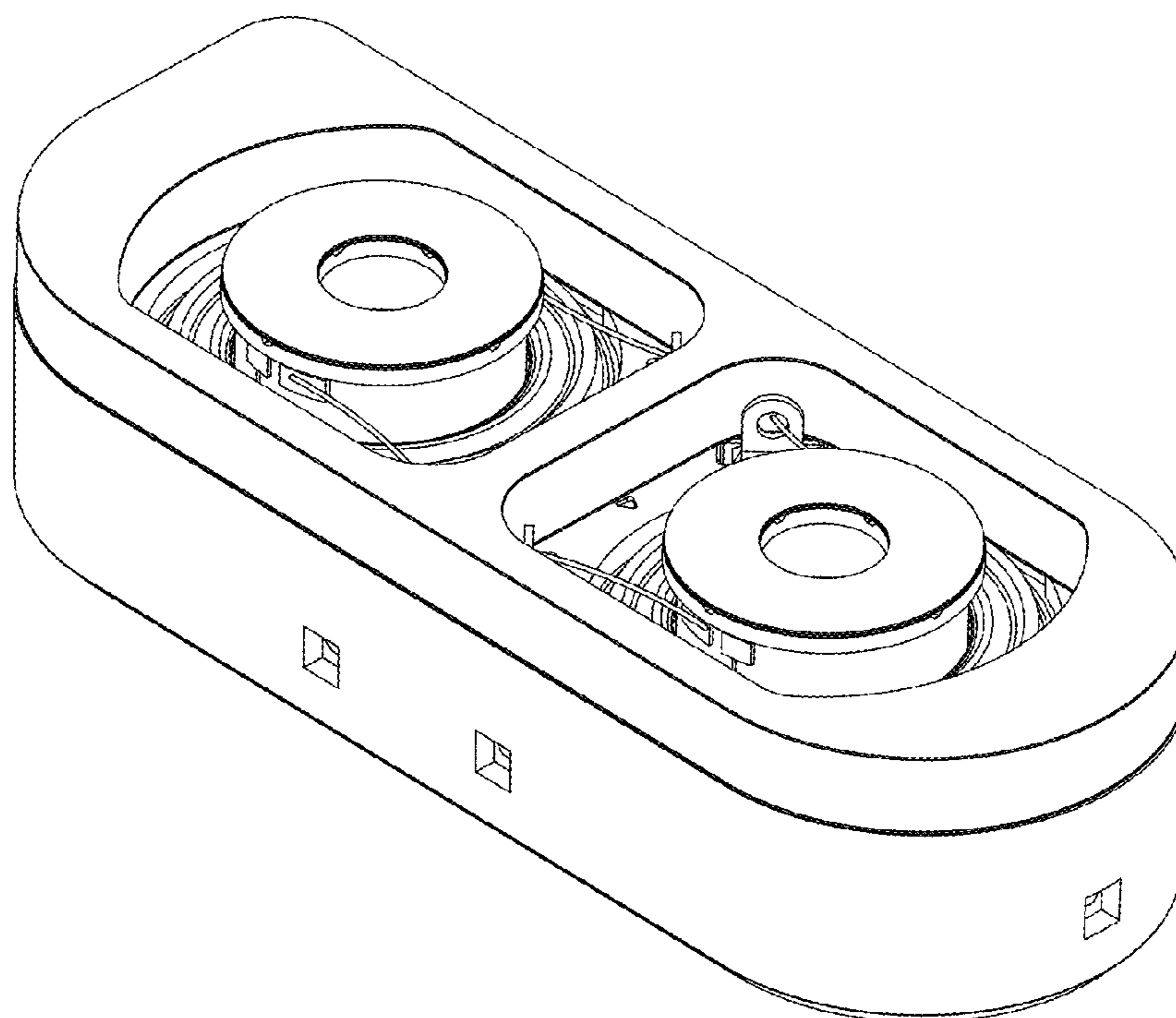
The ornamental design for an actuator for loudspeaker, as shown and described.

**DESCRIPTION**

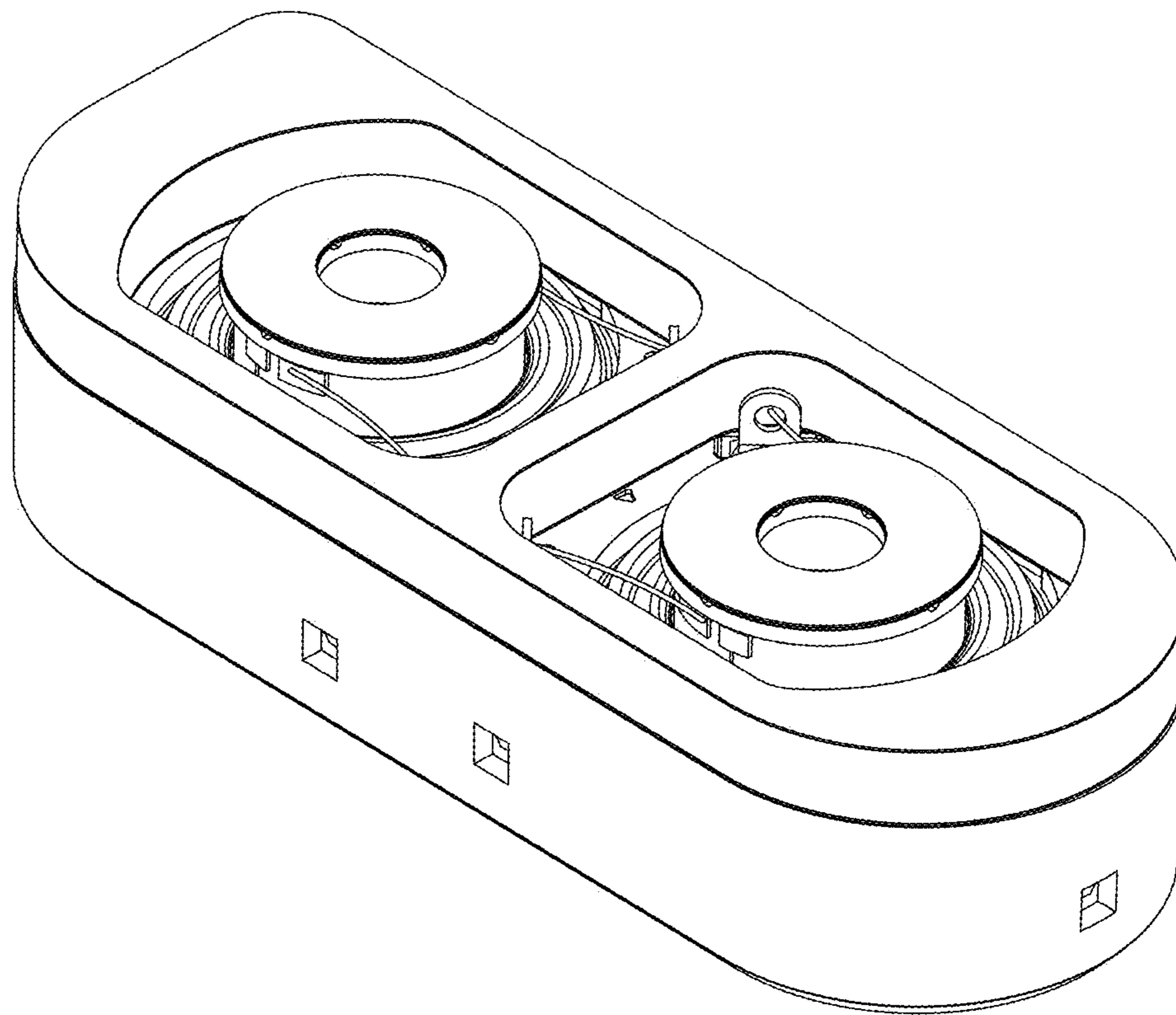
**1.1** is a top perspective view of an actuator for loudspeaker, showing our new design;  
**1.2** is a bottom perspective view thereof;  
**1.3** is a top view thereof;  
**1.4** is a bottom view thereof;  
**1.5** is a front view thereof;  
**1.6** is a back view thereof;  
**1.7** is a right side view thereof; and  
**1.8** is a left side view thereof.

The broken lines shown in the drawings of the actuator for loudspeaker illustrate portions of the actuator for loudspeaker that form no part of the claimed design.

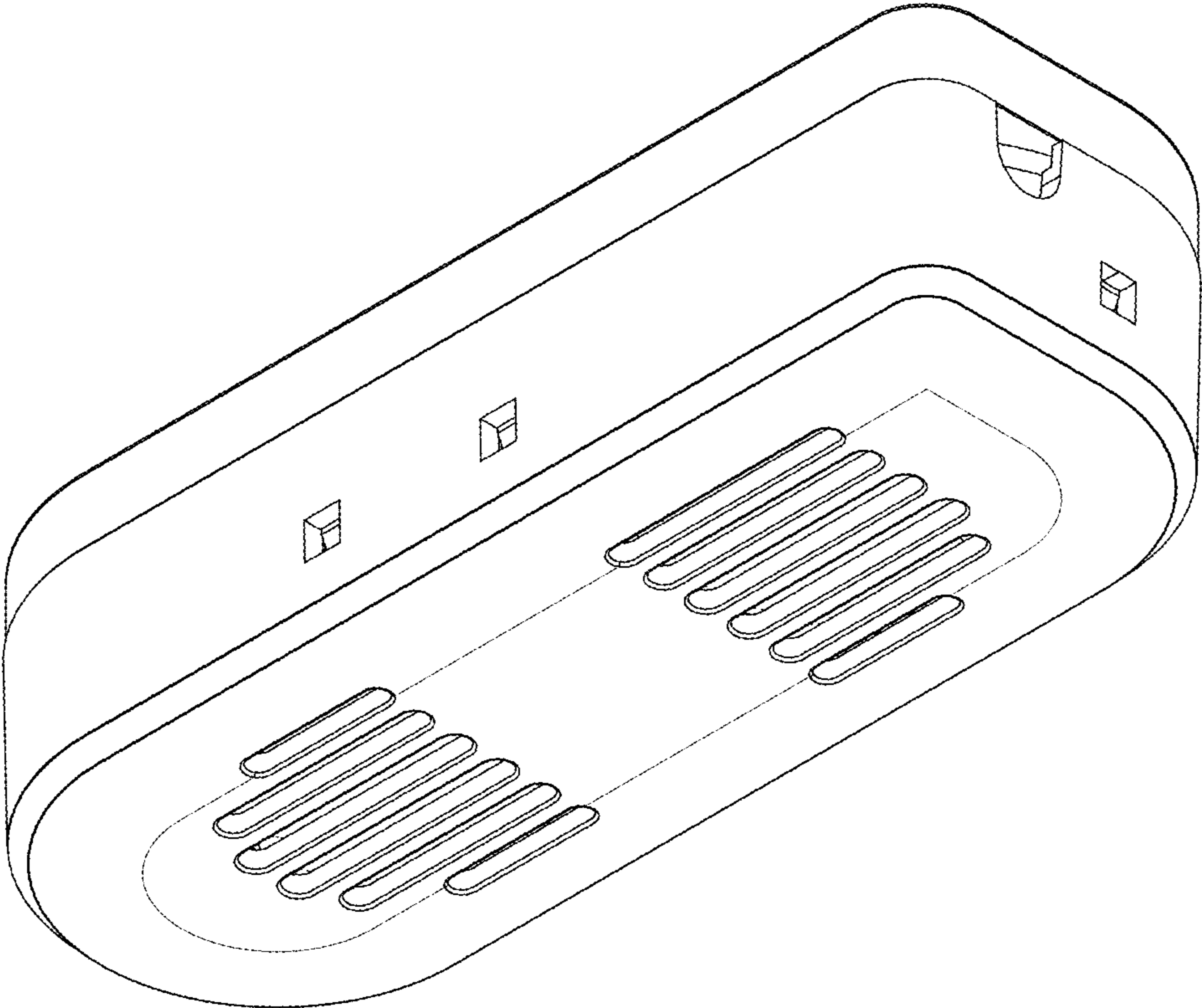
**1 Claim, 8 Drawing Sheets**



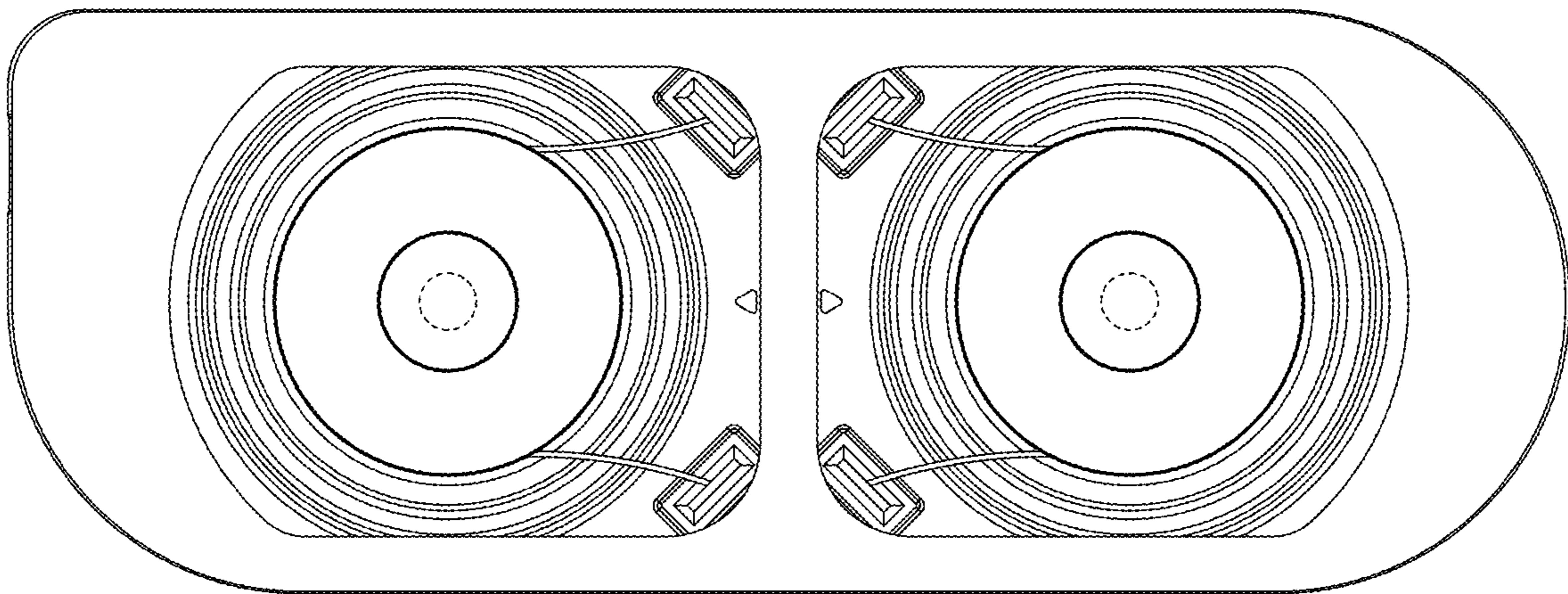
1.1



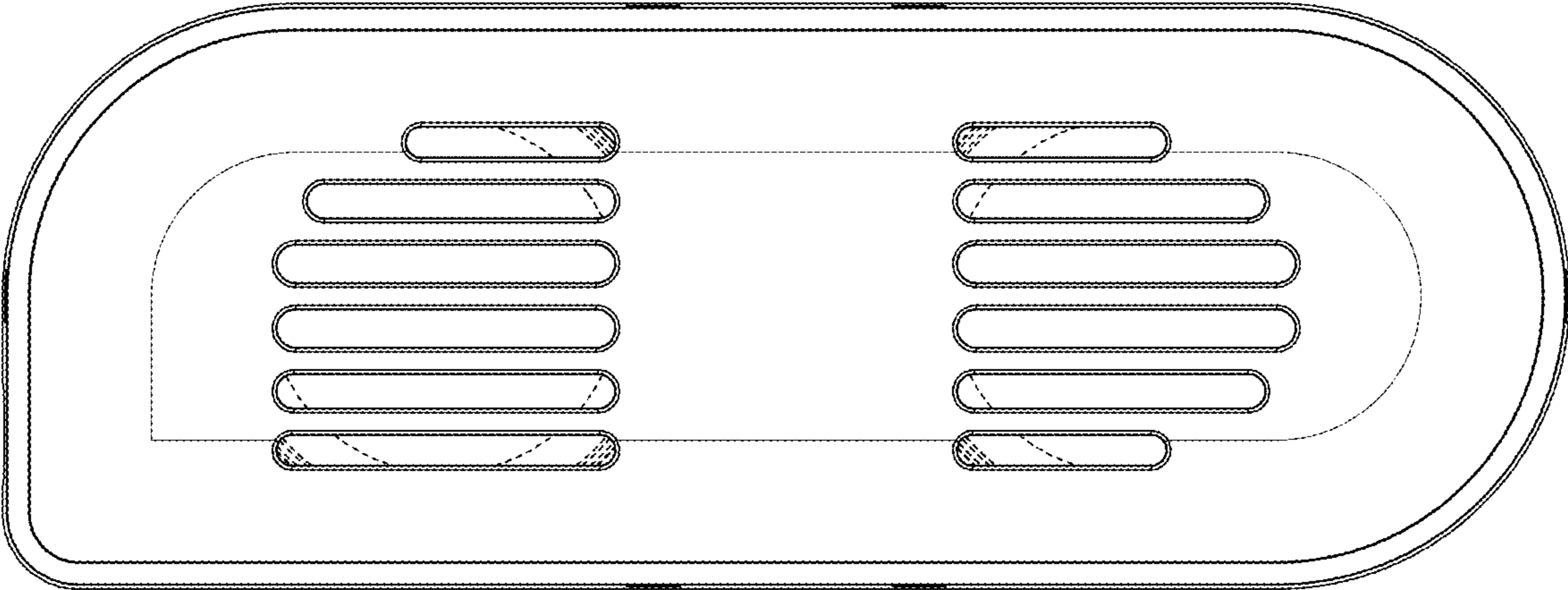
1.2



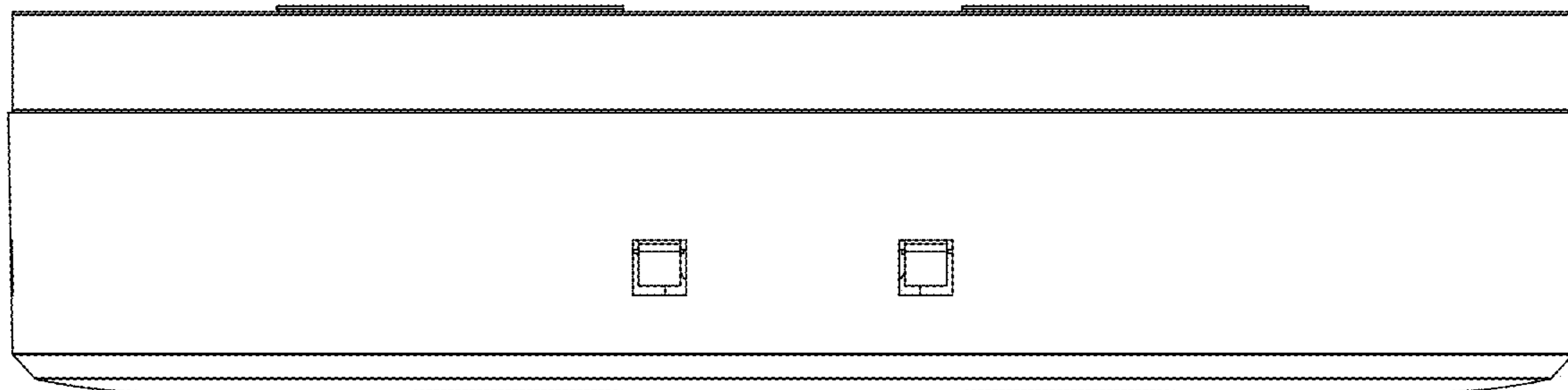
**1.3**



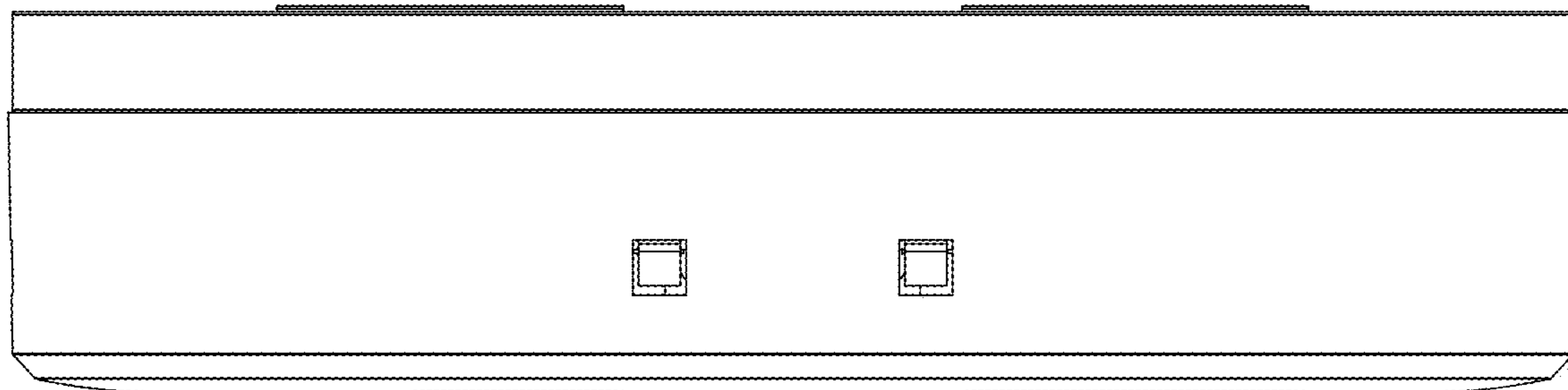
1.4



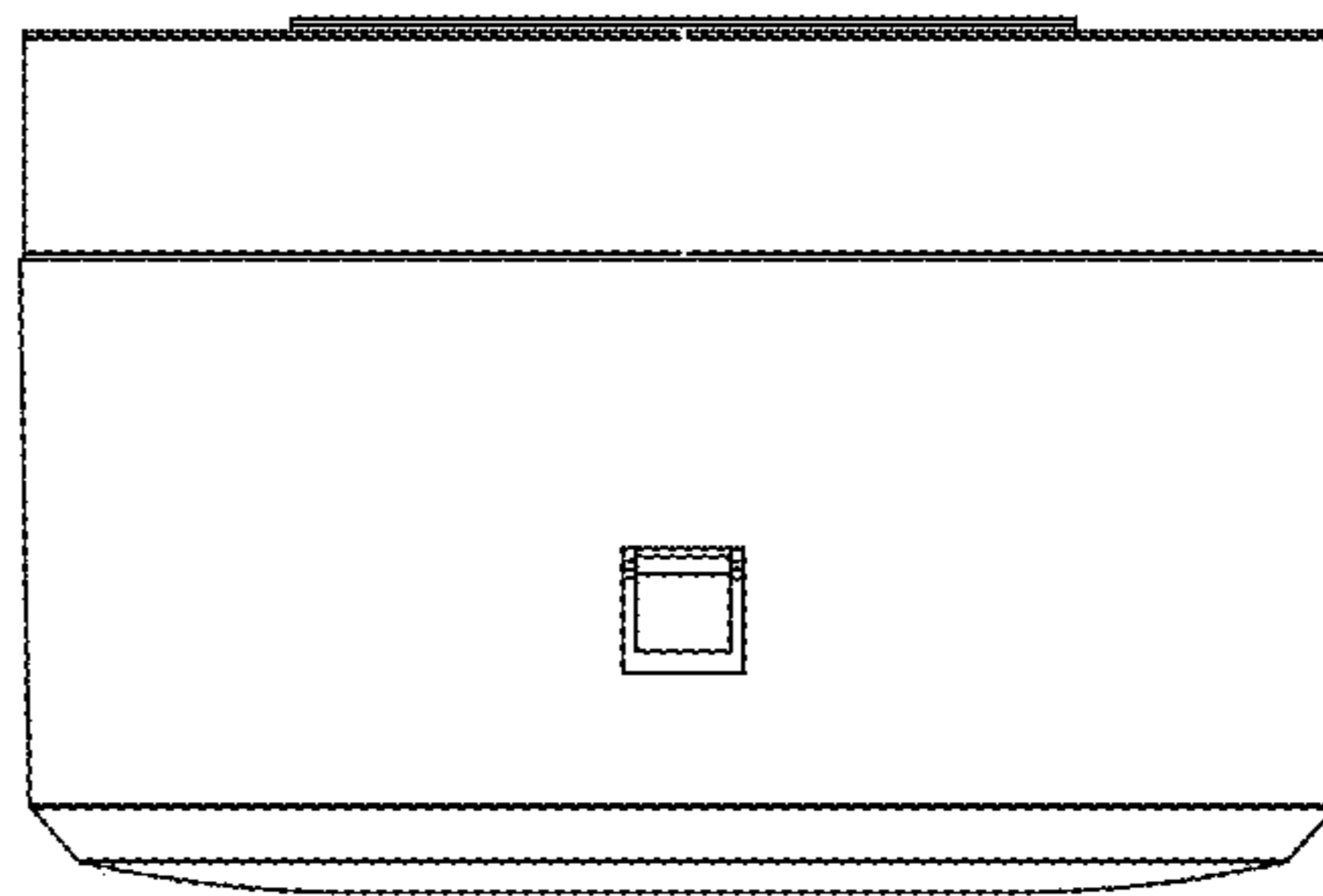
**1.5**



**1.6**



**1.7**





**1.8**

