



US00D938395S

(12) **United States Design Patent** (10) **Patent No.:** **US D938,395 S**  
**Park et al.** (45) **Date of Patent:** **\*\* Dec. 14, 2021**

(54) **INDOOR WALL WITH BUILT-IN HOME APPLIANCES**

(71) Applicant: **LG ELECTRONICS INC.**, Seoul (KR)

(72) Inventors: **Kyusuh Park**, Seoul (KR); **Youngkyoung Kim**, Seoul (KR); **Junki Kim**, Seoul (KR); **Taeho Kim**, Seoul (KR); **Junghan Ryu**, Seoul (KR); **Bumsang Lee**, Seoul (KR); **Chulmin Lim**, Seoul (KR); **Mijin Jung**, Seoul (KR); **Junghyun Joo**, Seoul (KR); **Jipyo Hong**, Seoul (KR)

(73) Assignee: **LG ELECTRONICS INC.**, Seoul (KR)

(\*\*) Term: **15 Years**

(21) Appl. No.: **29/727,402**

(22) Filed: **Mar. 10, 2020**

(30) **Foreign Application Priority Data**

Sep. 11, 2019 (KR) ..... 30-2019-0044116

(51) **LOC (13) Cl.** ..... **14-03**

(52) **U.S. Cl.**  
USPC ..... **D14/217**

(58) **Field of Classification Search**

USPC ..... D13/162, 164, 171, 177, 199; D14/336, D14/371, 374, 389, 432-434, 217; D23/351-354, 385, 355, 357, 361

CPC ..... H05B 47/105; H05B 45/10; H05B 45/20; H05B 47/19; H05B 1/0236; H05B 1/0275; H05B 2203/026; H05B 45/00; H05B 47/11; H05B 47/155; H05B 47/16; H05B 47/175; H05B 6/6447; H05B 6/6473; H05B 6/782; H01H 2239/036; H01H 45/04; H01H 45/12; H01H 50/12; H01H 9/52; H02G 13/40; H02G 3/16

See application file for complete search history.

(56) **References Cited**

U.S. PATENT DOCUMENTS

D549,311 S *	8/2007	Yoo	.....	D23/351
D551,744 S *	9/2007	Yoo	.....	D23/351
D552,042 S *	10/2007	Mayo	.....	D13/164
D558,864 S *	1/2008	Yoo	.....	D23/351
D558,865 S *	1/2008	Yoo	.....	D23/351
D636,474 S *	4/2011	Choi	.....	D23/351
D650,784 S *	12/2011	Feldstein	.....	D14/434
D690,661 S *	10/2013	Wisniewski	.....	D13/162
D691,251 S *	10/2013	Couture	.....	D23/342

(Continued)

*Primary Examiner* — Khawaja Anwar

(74) *Attorney, Agent, or Firm* — Birch, Stewart, Kolasch & Birch, LLP

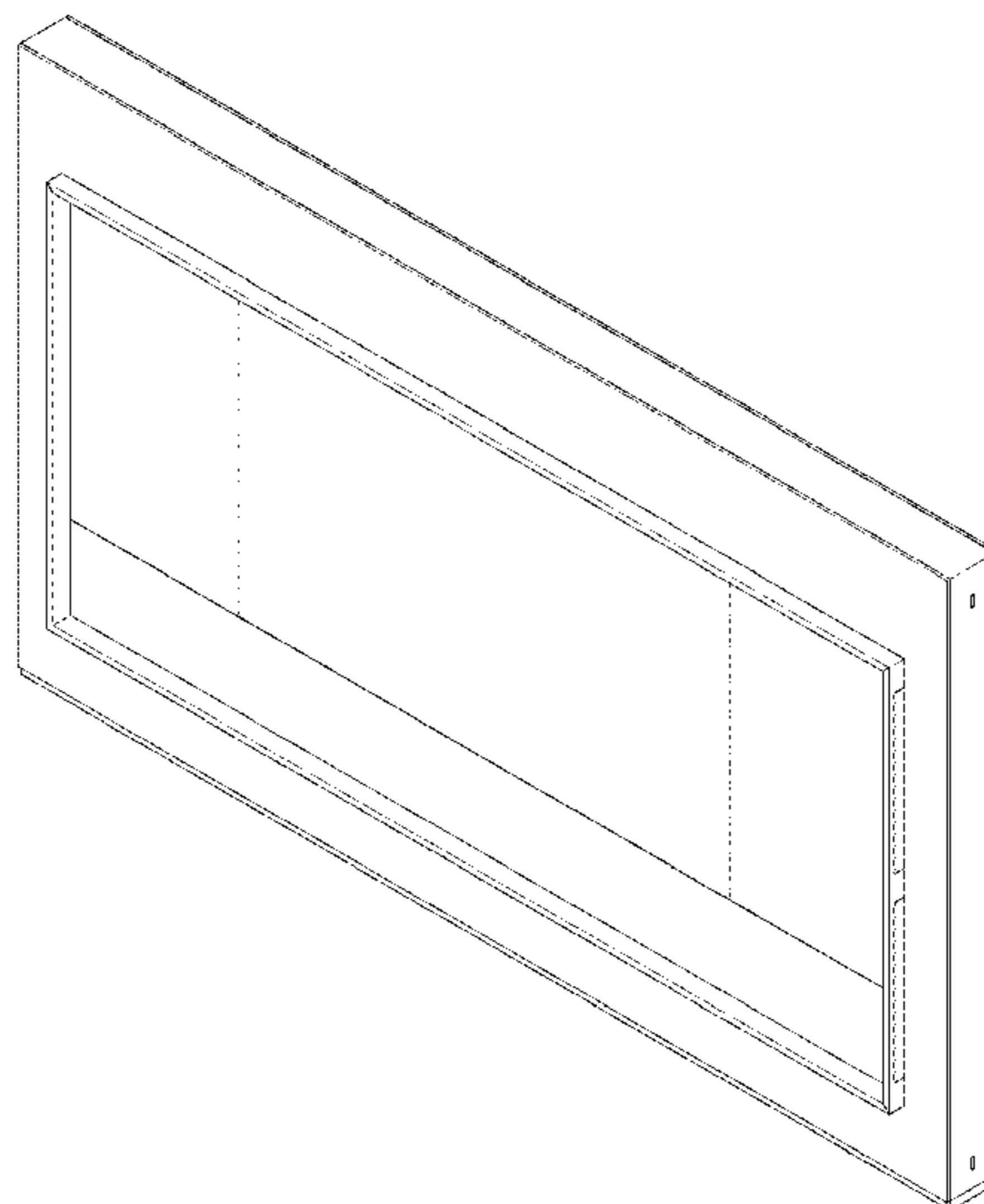
(57) **CLAIM**

The ornamental design for an indoor wall with built-in home appliances, as shown and described.

**DESCRIPTION**

FIG. 1 is a front perspective view of the indoor wall with built-in home appliances showing our new design; FIG. 2 is a front view thereof; FIG. 3 is a rear view thereof; FIG. 4 is a left view thereof where the right view is a mirror image; FIG. 5 is a top view thereof; FIG. 6 is a bottom view thereof; and, FIG. 7 shows the indoor wall with built-in home appliances in a state of use, wherein the broken line showing of the front center is used as a TV and depicts environmental subject matter which forms no part of the claimed design. The broken lines depict portions of the indoor wall with built-in home appliances that form no part of the claimed design.

**1 Claim, 7 Drawing Sheets**



(56)

**References Cited**

U.S. PATENT DOCUMENTS

D818,800	S	*	5/2018	Poulheim	.....	D8/353
D825,492	S	*	8/2018	Mosolygo	.....	D13/164
D831,582	S	*	10/2018	Poulheim	.....	D13/162
D831,583	S	*	10/2018	Poulheim	.....	D13/162
D832,225	S	*	10/2018	Poulheim	.....	D13/162
D832,226	S	*	10/2018	Poulheim	.....	D13/162
D833,987	S	*	11/2018	Poulheim	.....	D13/164
D834,535	S	*	11/2018	Poulheim	.....	D13/162
D834,536	S	*	11/2018	Poulheim	.....	D13/162
D834,537	S	*	11/2018	Poulheim	.....	D13/162
D834,538	S	*	11/2018	Poulheim	.....	D13/162
D834,539	S	*	11/2018	Poulheim	.....	D13/164
D834,540	S	*	11/2018	Poulheim	.....	D13/164
D835,051	S	*	12/2018	Poulheim	.....	D13/162
D900,062	S	*	10/2020	Park	.....	D14/217
D900,063	S	*	10/2020	Park	.....	D14/217
D901,314	S	*	11/2020	Atwood	.....	D10/50
D906,291	S	*	12/2020	Park	.....	D14/217
D922,670	S	*	6/2021	Wendling	.....	D26/138
2004/0164966	A1	*	8/2004	Lee	.....	G06F 3/0488 345/173
2017/0025835	A1	*	1/2017	Johnson	.....	H02G 3/14

\* cited by examiner

FIG. 1

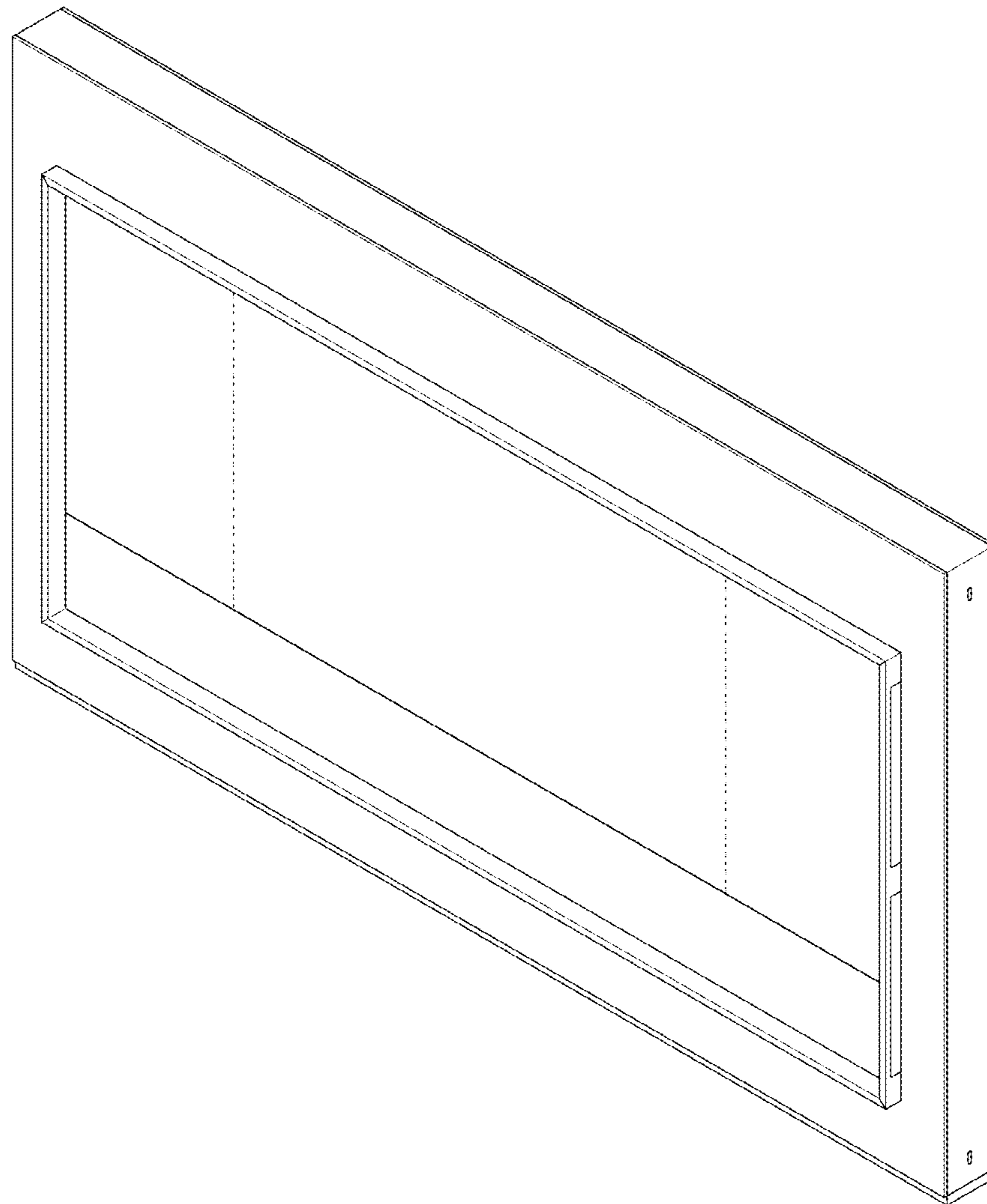


FIG. 2

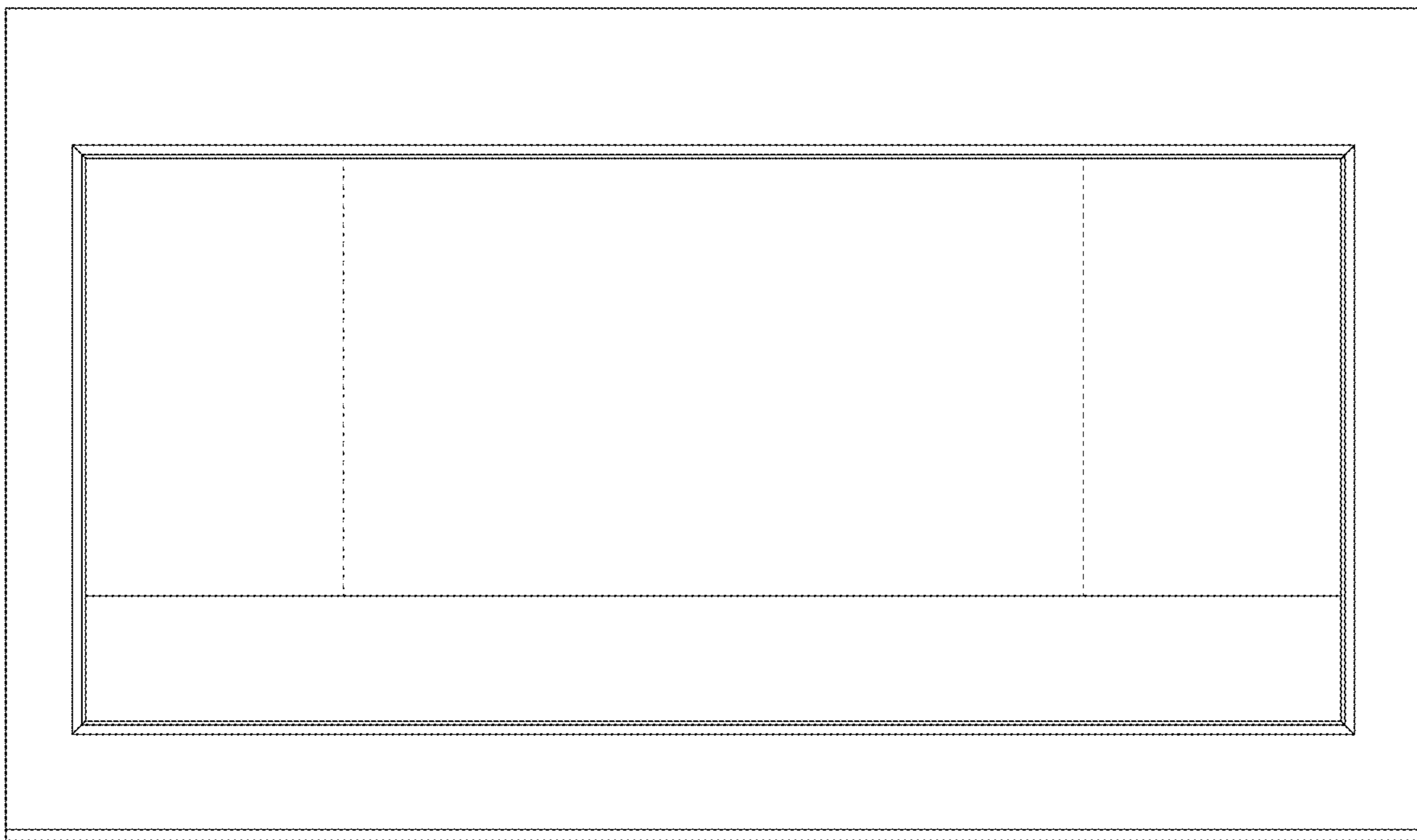


FIG. 3

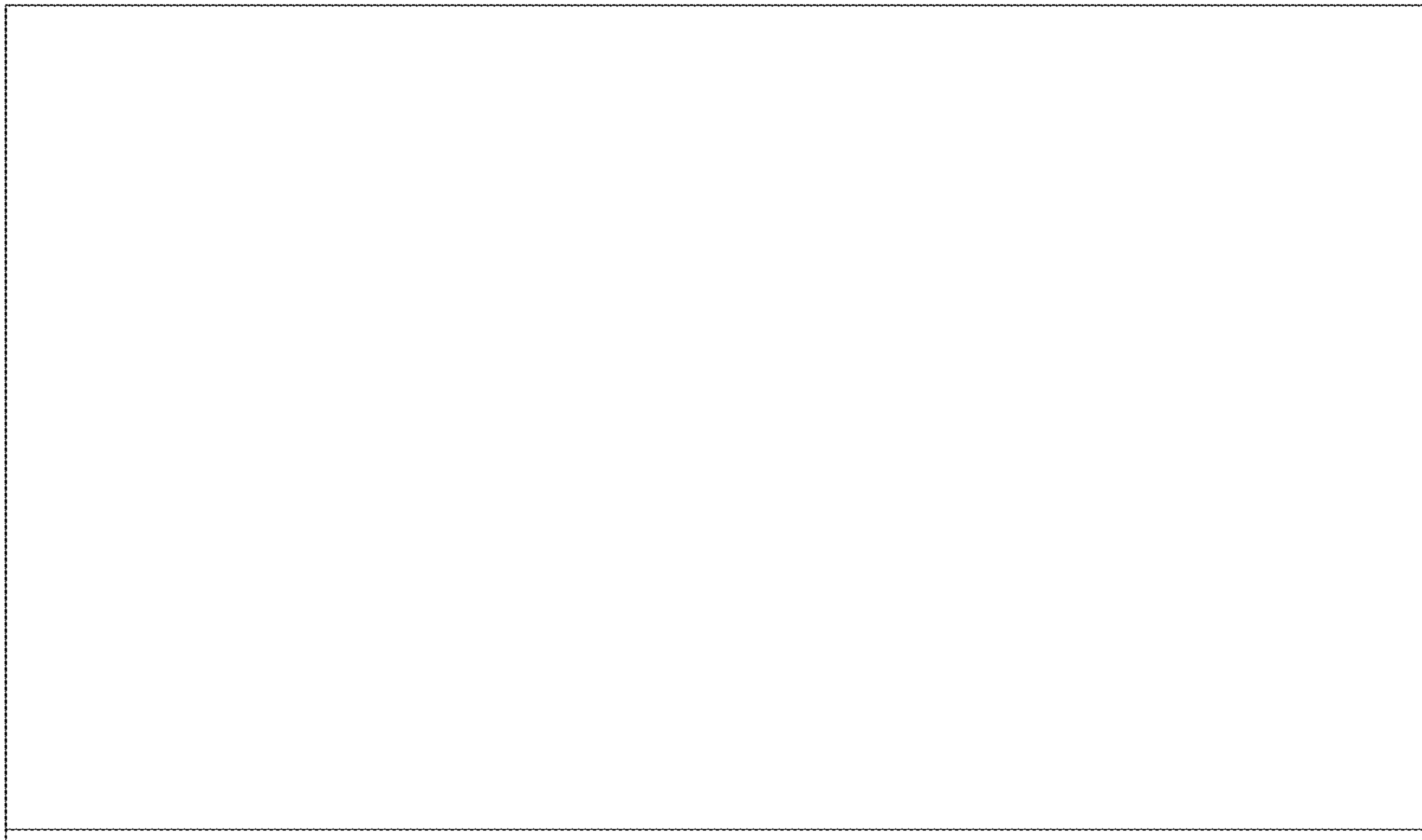


FIG. 4

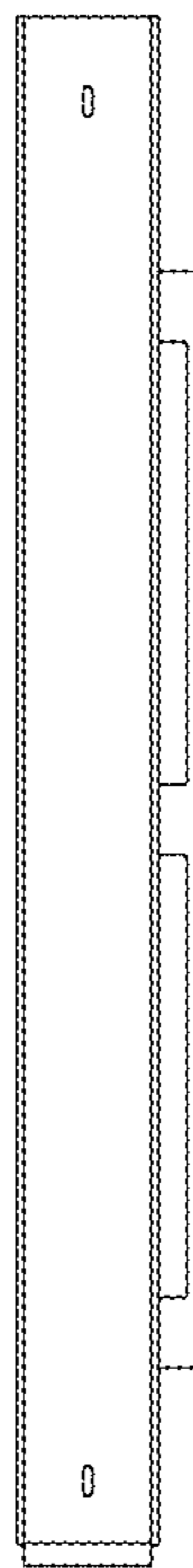


FIG. 5

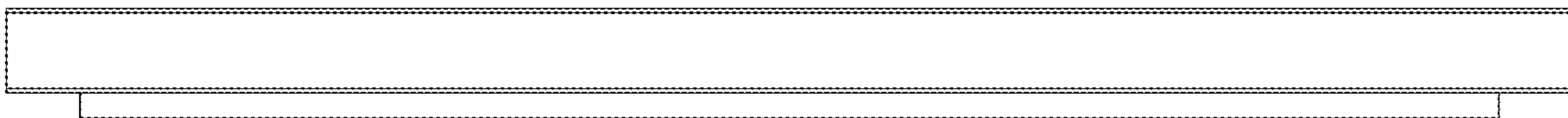


FIG. 6

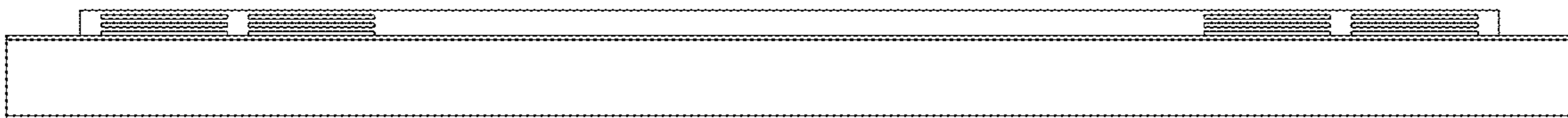




FIG. 7

