



US00D938392S

(12) **United States Design Patent**  
**Park et al.**

(10) **Patent No.:** **US D938,392 S**

(45) **Date of Patent:** **\*\* Dec. 14, 2021**

(54) **INDOOR WALL WITH BUILT-IN HOME APPLIANCES**

(71) Applicant: **LG ELECTRONICS INC.**, Seoul (KR)

(72) Inventors: **Kyusuh Park**, Seoul (KR); **Junghan Ryu**, Seoul (KR); **Taeho Kim**, Seoul (KR); **Youngkyoung Kim**, Seoul (KR); **Jipyo Hong**, Seoul (KR); **Chulmin Lim**, Seoul (KR); **Bumsang Lee**, Seoul (KR); **Mijin Jung**, Seoul (KR); **Junghyun Joo**, Seoul (KR); **Junki Kim**, Seoul (KR)

(73) Assignee: **LG ELECTRONICS INC.**, Seoul (KR)

(\*\*) Term: **15 Years**

(21) Appl. No.: **29/727,383**

(22) Filed: **Mar. 10, 2020**

(30) **Foreign Application Priority Data**

Sep. 11, 2019 (KR) ..... 30-2019-0044125

(51) **LOC (13) Cl.** ..... **14-03**

(52) **U.S. Cl.**  
USPC ..... **D14/217**

(58) **Field of Classification Search**

USPC ..... D13/162, 164, 171, 177, 199; D14/336, D14/371, 374, 389, 432-434, 217; D23/351-354, 385, 355, 357, 361  
CPC ..... H05B 47/105; H05B 45/10; H05B 45/20; H05B 47/19; H05B 1/0236; H05B 1/0275; H05B 2203/026; H05B 45/00; H05B 47/11; H05B 47/155; H05B 47/16; H05B 47/175; H05B 6/6447; H05B 6/6473; H05B 6/782;

(Continued)

(56) **References Cited**

U.S. PATENT DOCUMENTS

D549,311 S \* 8/2007 Yoo ..... D23/351  
D551,744 S \* 9/2007 Yoo ..... D23/351

(Continued)

*Primary Examiner* — Khawaja Anwar

(74) *Attorney, Agent, or Firm* — Birch, Stewart, Kolasch & Birch, LLP

(57) **CLAIM**

The ornamental design for an indoor wall with built-in home appliances, as shown and described.

**DESCRIPTION**

FIG. 1 is a front perspective view of the indoor wall with built-in home appliances showing our new design;

FIG. 2 is a front view thereof;

FIG. 3 is a rear view thereof;

FIG. 4 is a left view thereof

FIG. 5 is a right view thereof;

FIG. 6 is a top view thereof;

FIG. 7 is a bottom view thereof;

FIG. 8 is a front perspective view in a condition that the speaker which is installed at the front center of the claimed design has been protruded;

FIG. 9 is a front view of FIG. 8;

FIG. 10 is a rear view of FIG. 8;

FIG. 11 is a left view of FIG. 8;

FIG. 12 is a right view of FIG. 8;

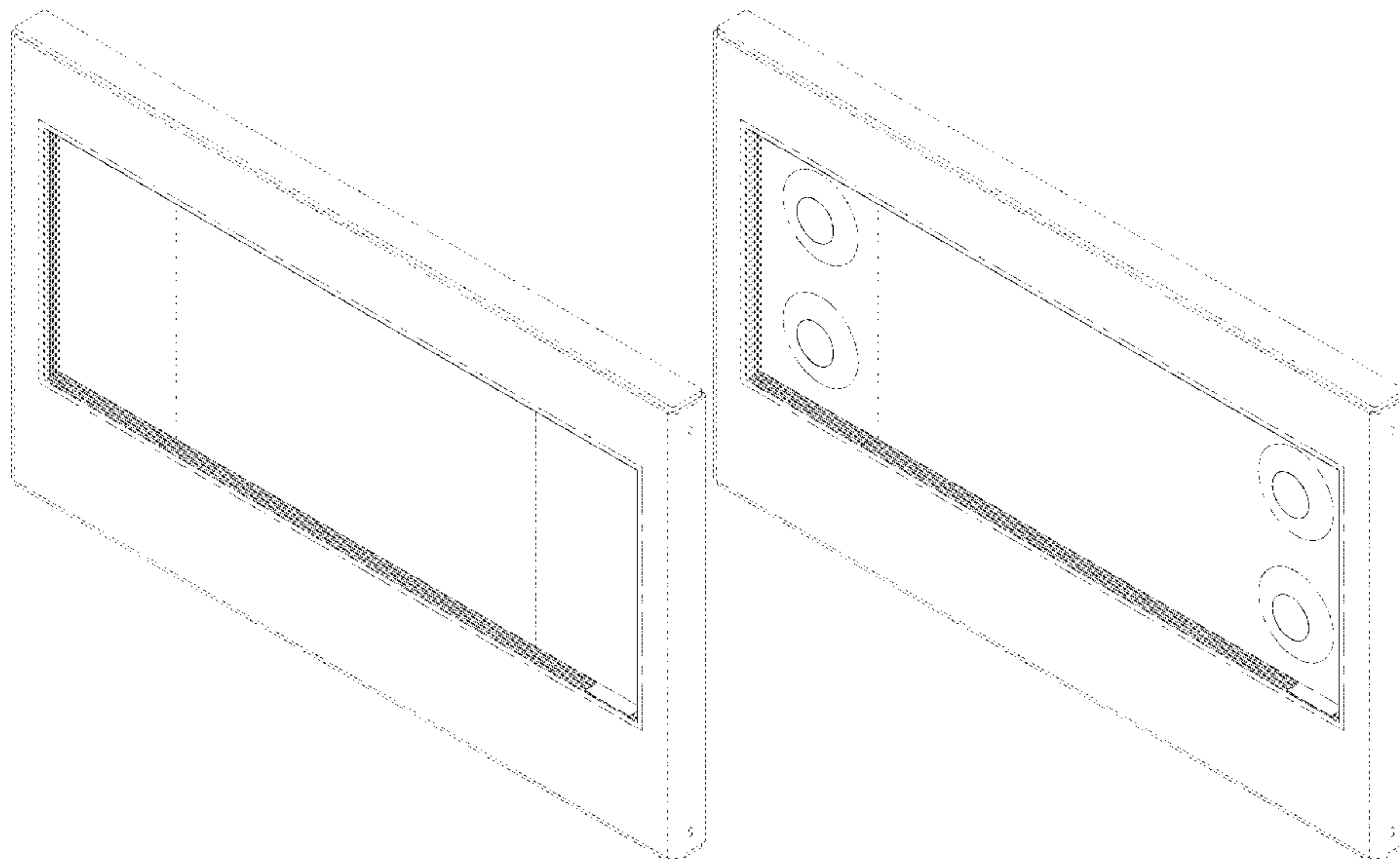
FIG. 13 is a top view of FIG. 8;

FIG. 14 is a bottom view of FIG. 8; and,

FIG. 15 shows the indoor wall with built-in home appliances in a state of use, wherein the broken line showing of the front center is used as a TV and depicts environmental subject matter which forms no part of the claimed design.

The broken lines depict portions of the indoor wall with built-in home appliances that form no part of the claimed design. The dash-dot broken lines define the boundary of the claimed design and form no part thereof.

**1 Claim, 15 Drawing Sheets**



(58) **Field of Classification Search**  
 CPC ..... H01H 2239/036; H01H 45/04; H01H  
 45/12; H01H 50/12; H01H 9/52; H02G  
 13/40; H02G 3/16  
 See application file for complete search history.

(56) **References Cited**

U.S. PATENT DOCUMENTS

D552,042 S \* 10/2007 Mayo ..... D13/164  
 D558,864 S \* 1/2008 Yoo ..... D23/351  
 D558,865 S \* 1/2008 Yoo ..... D23/351  
 D636,474 S \* 4/2011 Choi ..... D23/351  
 D650,784 S \* 12/2011 Feldstein ..... D14/434  
 D690,661 S \* 10/2013 Wisniewski ..... D13/162  
 D691,251 S \* 10/2013 Couture ..... D23/342  
 D818,800 S \* 5/2018 Poulheim ..... D8/353  
 D825,492 S \* 8/2018 Mosolygo ..... D13/164  
 D831,582 S \* 10/2018 Poulheim ..... D13/162

D831,583 S \* 10/2018 Poulheim ..... D13/162  
 D832,225 S \* 10/2018 Poulheim ..... D13/162  
 D832,226 S \* 10/2018 Poulheim ..... D13/162  
 D833,987 S \* 11/2018 Poulheim ..... D13/164  
 D834,535 S \* 11/2018 Poulheim ..... D13/162  
 D834,536 S \* 11/2018 Poulheim ..... D13/162  
 D834,537 S \* 11/2018 Poulheim ..... D13/162  
 D834,538 S \* 11/2018 Poulheim ..... D13/162  
 D834,539 S \* 11/2018 Poulheim ..... D13/164  
 D834,540 S \* 11/2018 Poulheim ..... D13/164  
 D835,051 S \* 12/2018 Poulheim ..... D13/162  
 D900,062 S \* 10/2020 Park ..... D14/217  
 D900,063 S \* 10/2020 Park ..... D14/217  
 D901,314 S \* 11/2020 Atwood ..... D10/50  
 D906,291 S \* 12/2020 Park ..... D14/217  
 D922,670 S \* 6/2021 Wendling ..... D26/138  
 2004/0164966 A1 \* 8/2004 Lee ..... G06F 3/0488  
 345/173  
 2017/0025835 A1 \* 1/2017 Johnson ..... H02G 3/14

\* cited by examiner

FIG. 1

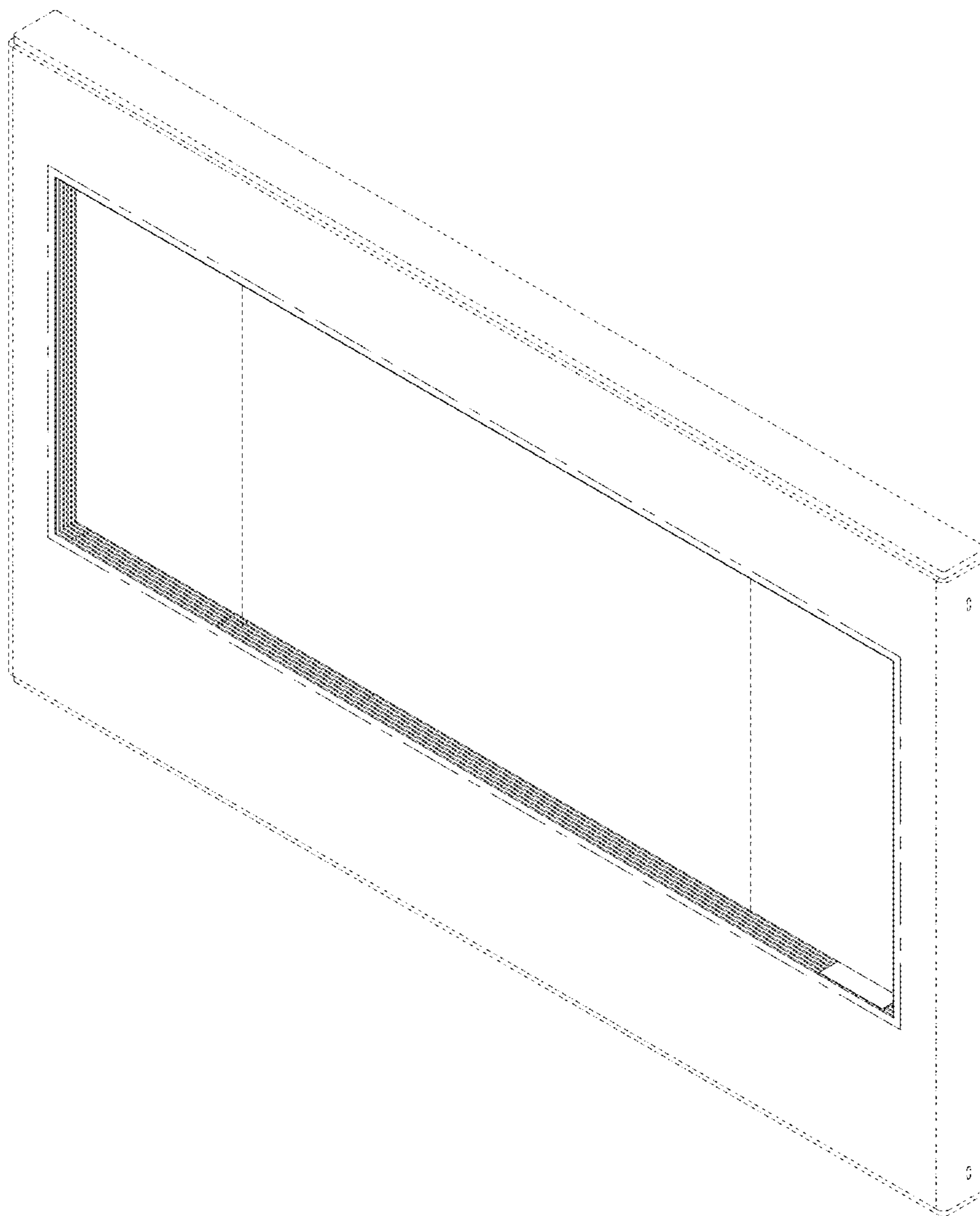


FIG. 2

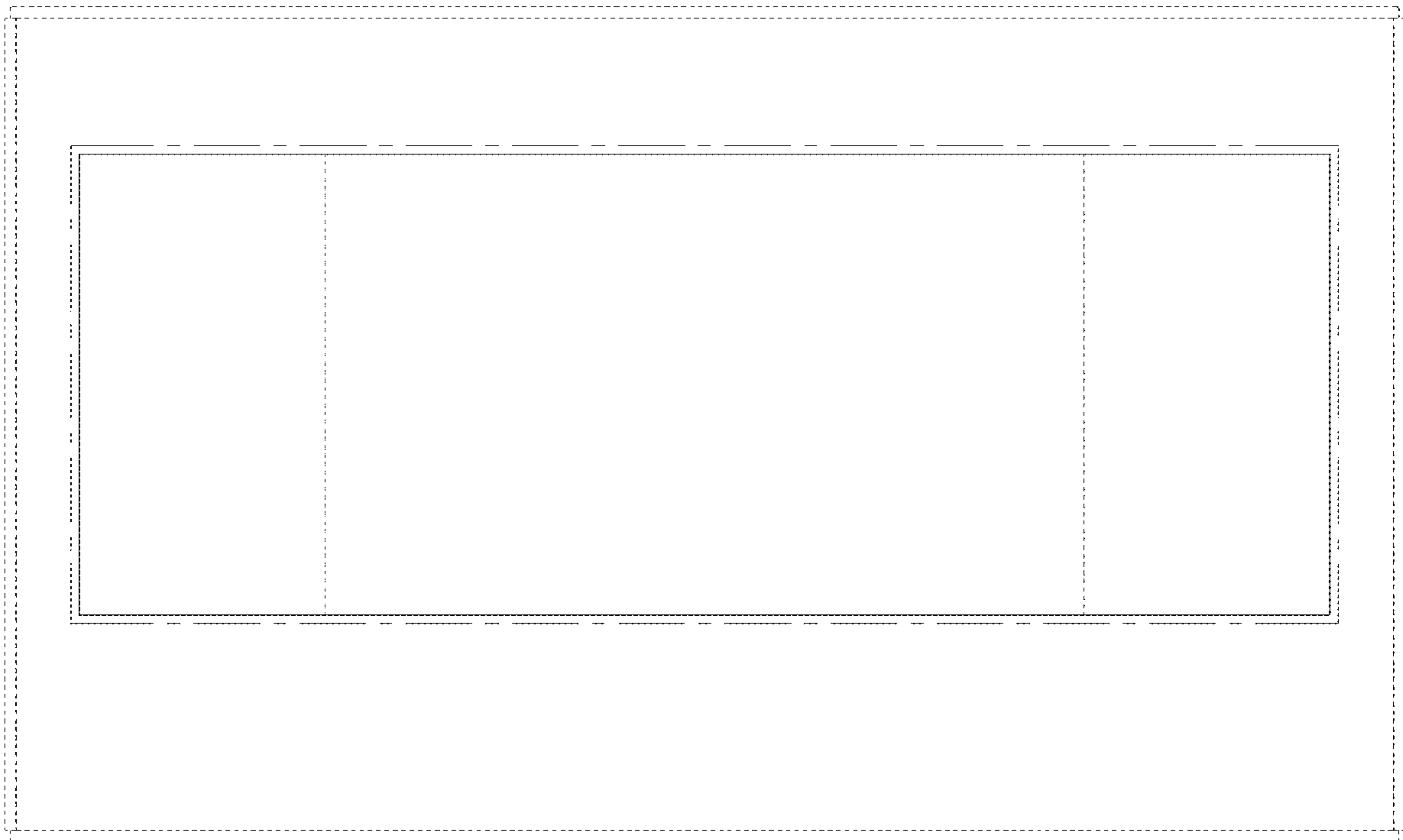


FIG. 3

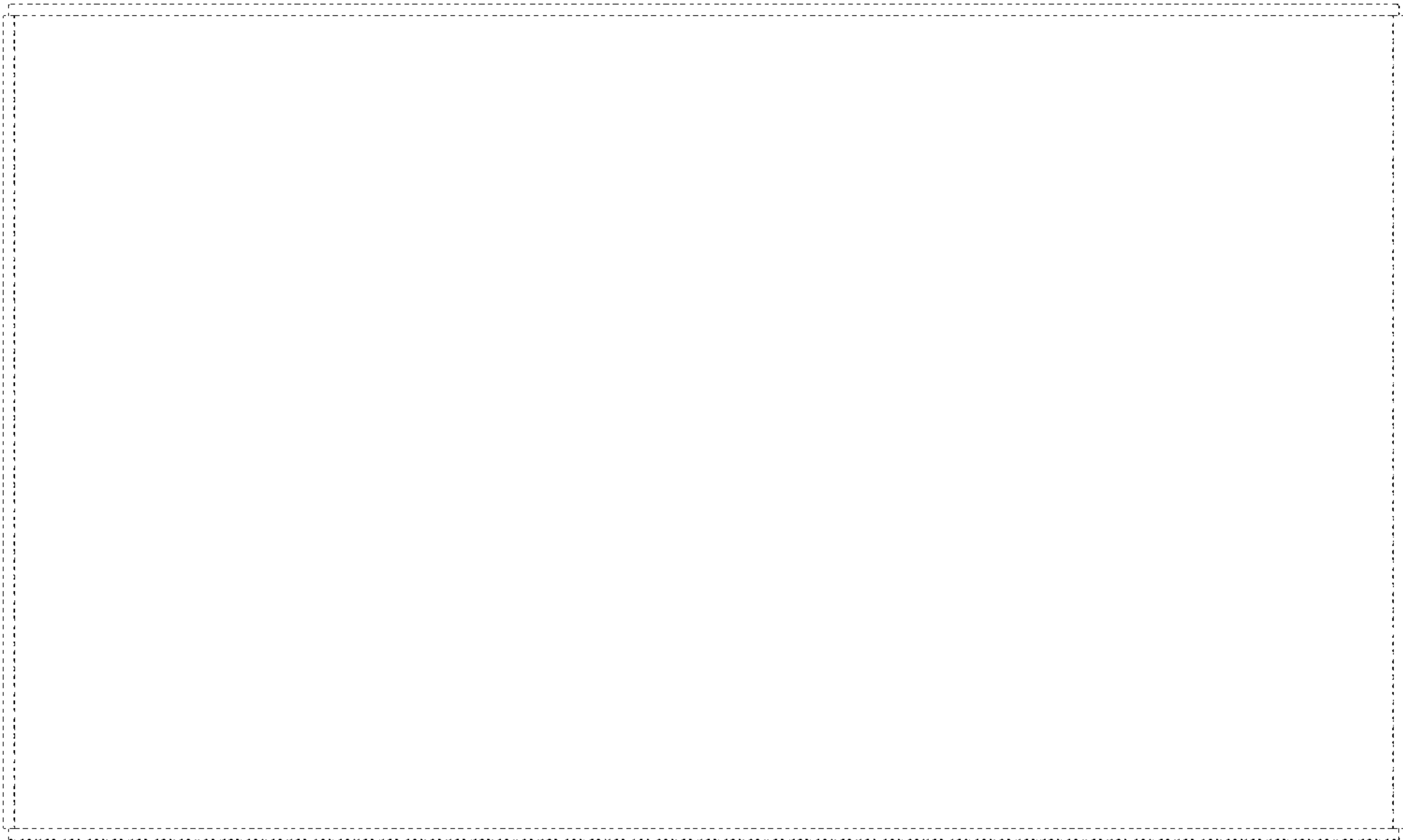


FIG. 4

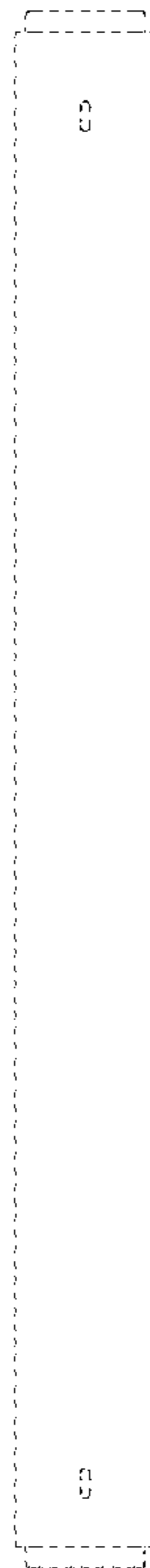


FIG. 5

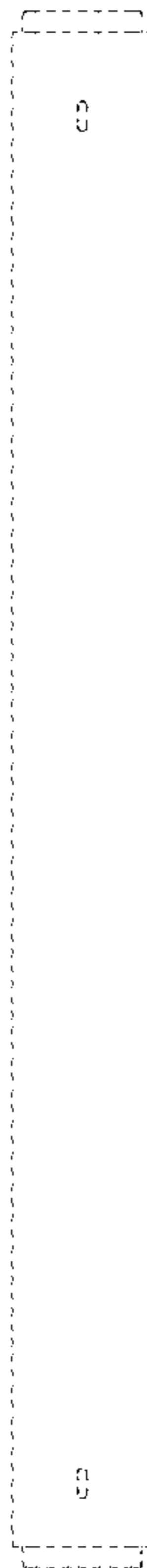


FIG. 6

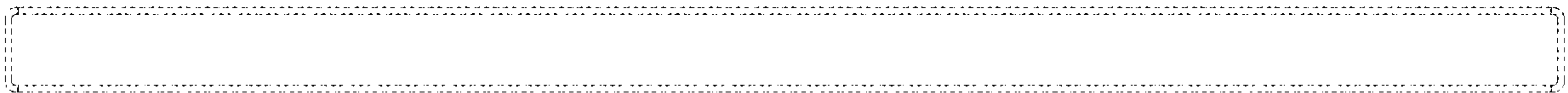




FIG. 7



FIG. 8

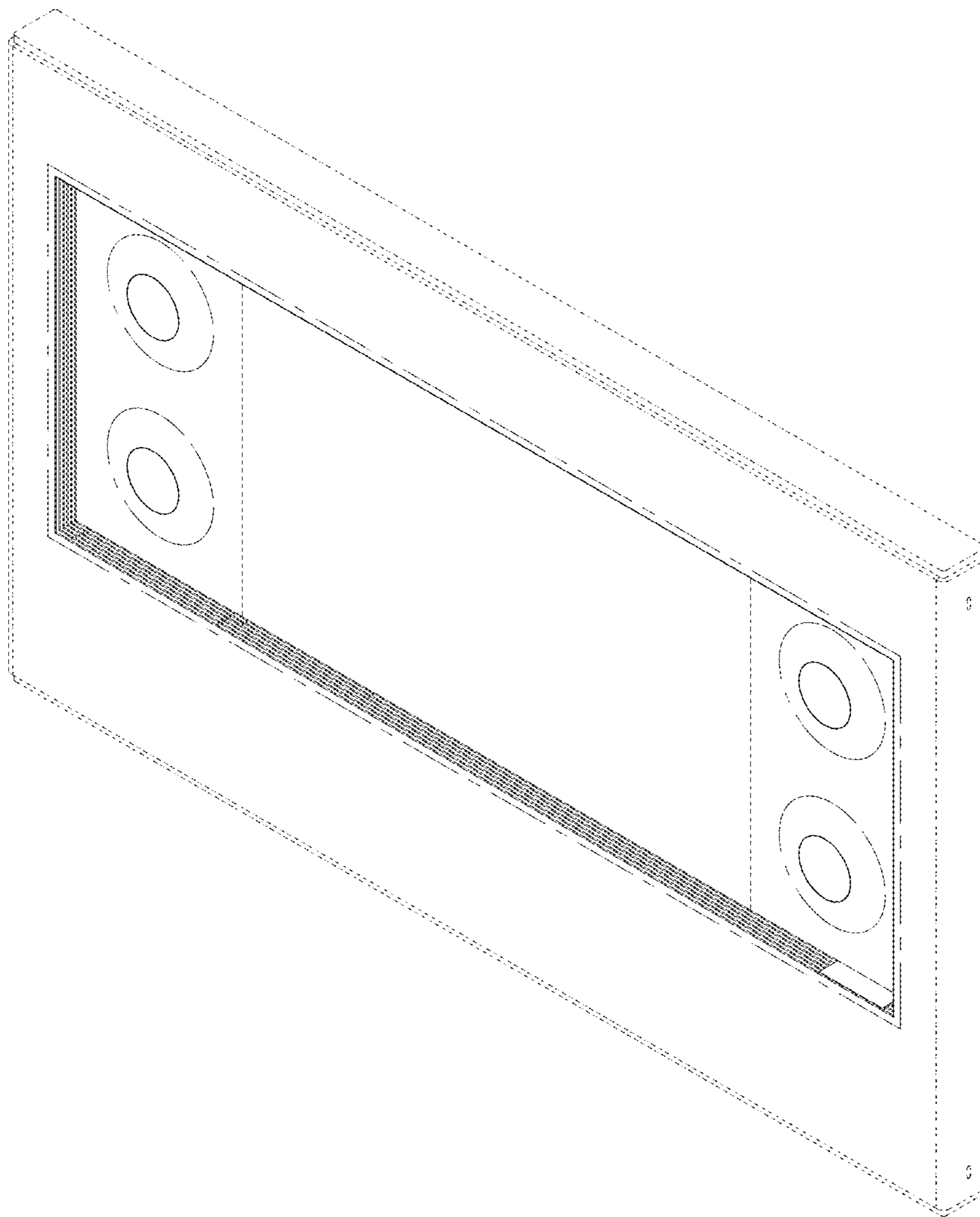


FIG. 9

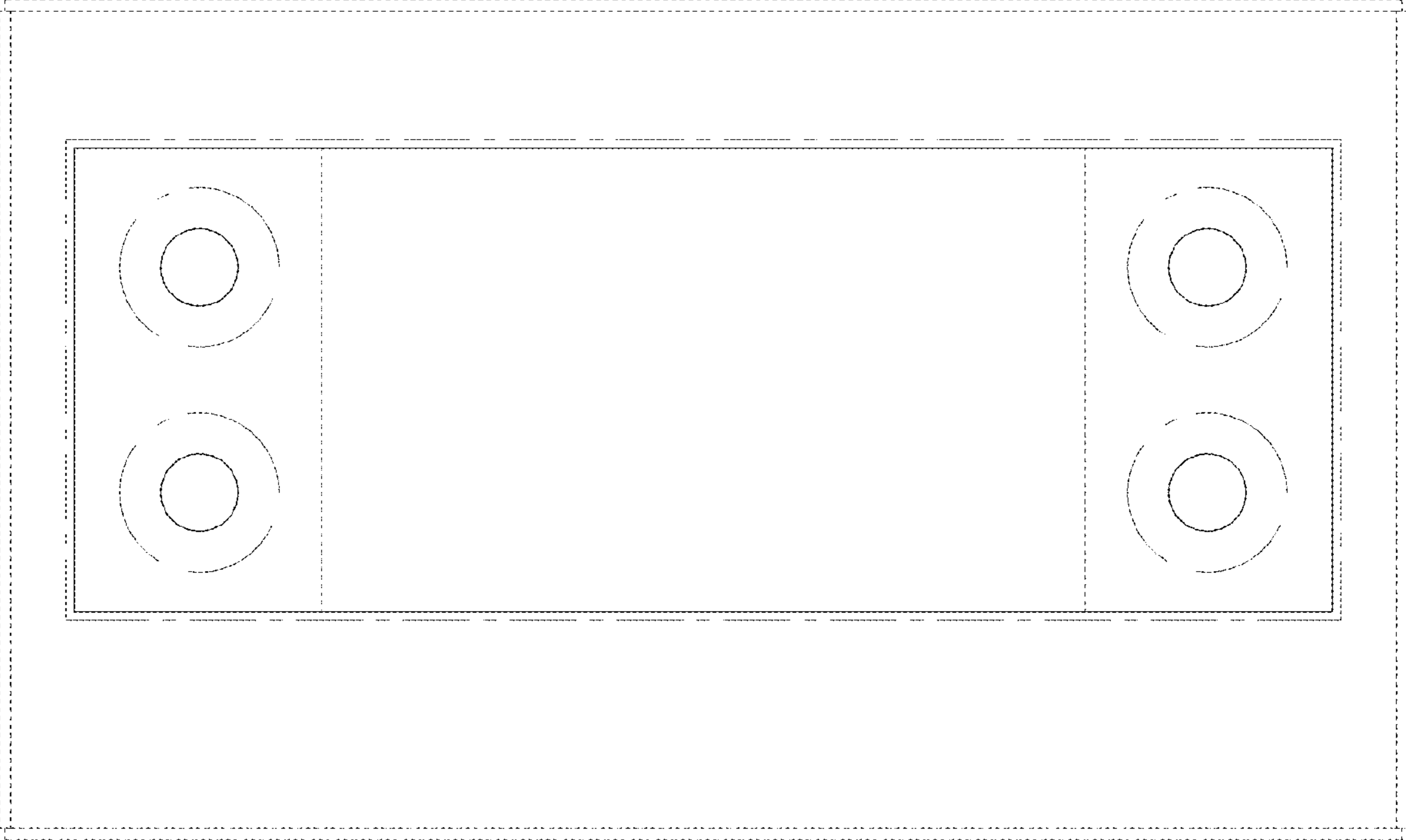


FIG. 10

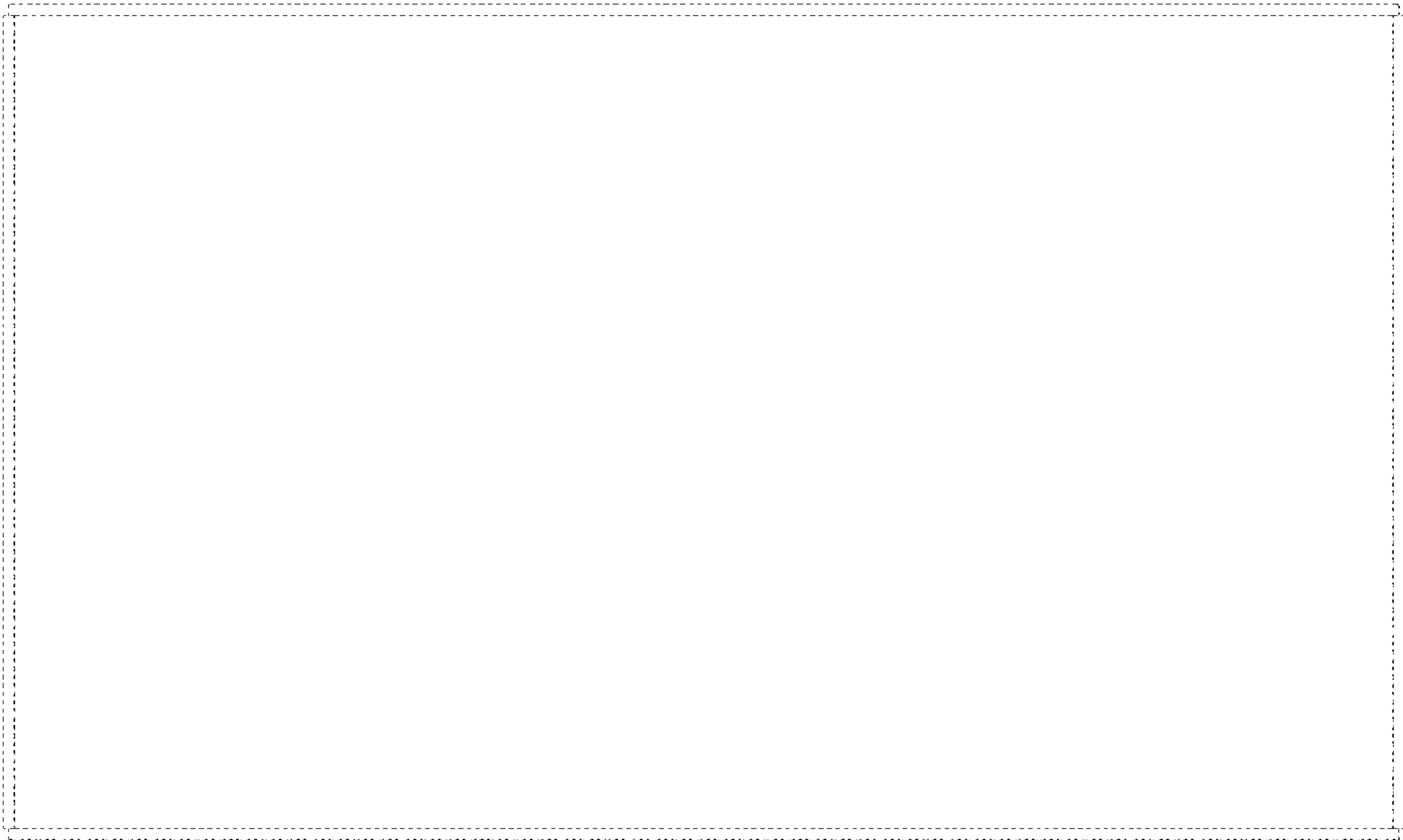


FIG. 11

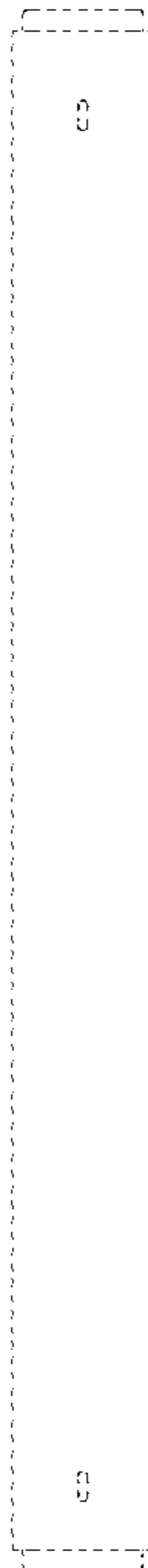


FIG. 12

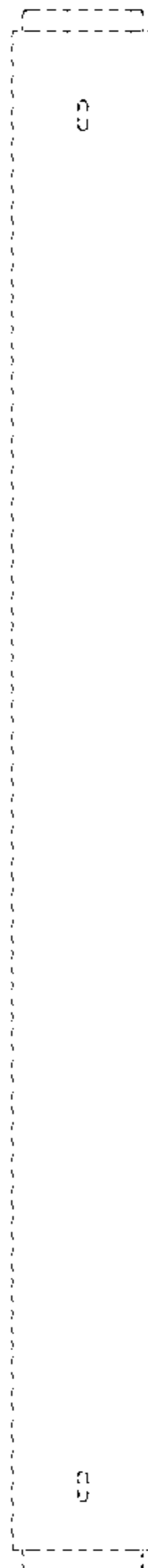


FIG. 13

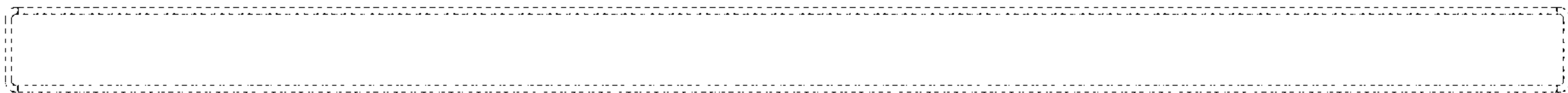


FIG. 14

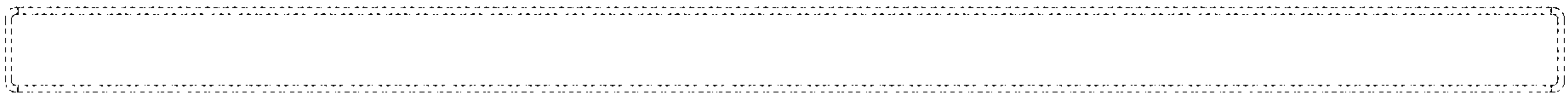




FIG. 15

