



US00D938388S

(12) **United States Design Patent** (10) **Patent No.:** **US D938,388 S**
Song (45) **Date of Patent:** **** Dec. 14, 2021**

(54) **BLUETOOTH SPEAKER**

OTHER PUBLICATIONS

(71) Applicant: **China Electronics Shenzhen Company, Shenzhen (CN)**

Amazon.com; iJoy; “i Joy Beach Bomb Waterproof Bluetooth Speaker, Marine”; [online] ‘https://www.amazon.com/iJoy-Waterproof-Shockproof-Portable-Bluetooth/dp/B01KYUEXBM/ref=sr_1_3?dchild=1&keywords=ijoy%2Bbeach%2Bbomb%2Bspeaker&qid=1633019094&sr=8-3&th=1’; dated Aug. 25, 2016; accessed Sep. 28, 2021; 6pgs. (Year: 2016).*

(72) Inventor: **Jian Song, Shenzhen (CN)**

Youtube.com; Easyheimer; “iJoy Beach Bomb Waterproof Bluetooth Speaker Review 2021”; [online] ‘https://www.youtube.com/watch?v=OuiXneqFD8c’; dated Jun. 15, 2020; accessed Sep. 28, 2021; 2pgs. (Year: 2020).*

(**) Term: **15 Years**

Usermanual.wiki; “China Electronics X403 Bluetooth Speaker User Manual”; [online] ‘https://usermanual.wiki/CHINA-ELECTRONICS/X403/pdf’; accessed Sep. 28, 2021; 3pgs. (Year: 2021).*

(21) Appl. No.: **29/731,223**

(22) Filed: **Apr. 13, 2020**

(51) **LOC (13) Cl.** **14-01**

(52) **U.S. Cl.**

USPC **D14/214**; D14/210

(58) **Field of Classification Search**

USPC D14/167, 168, 170–172, 188, 194–196, D14/204, 209.1, 210–216, 219, 221, 222, D14/224, 239, 496

CPC B60R 11/0217; G06F 1/1688; G10K 9/22; G10K 11/004; H03F 1/327; H04M 1/03; H04M 1/035; H04N 5/642; H04N 21/4852; H04R 1/02; H04R 1/06; H04R 1/021; H04R 1/025; H04R 1/026; H04R 1/028; H04R 1/105; H04R 1/323; H04R 1/403; H04R 1/2803; H04R 1/2834; H04R 5/02; H04R 7/20; H04R 9/06; H04R 9/025; H04R 2201/021; H04R 2400/00; H04R 2201/07; H04R 2499/11; H04R 2499/13; H04R 2499/15; H04S 3/00; H04S 7/30

See application file for complete search history.

* cited by examiner

Primary Examiner — Keli L Hill

(74) *Attorney, Agent, or Firm* — Novoclaims Patent Services LLC; Mei Lin Wong

(57)

CLAIM

The ornamental design for a Bluetooth speaker, as shown and described.

DESCRIPTION

FIG. 1 is a perspective view of a Bluetooth speaker showing my new design;

FIG. 2 is a bottom perspective view thereof;

FIG. 3 is a front view thereof;

FIG. 4 is a rear view thereof;

FIG. 5 is a left side view thereof;

FIG. 6 is a right side view thereof;

FIG. 7 is a top view thereof; and,

FIG. 8 is a bottom view thereof.

The broken lines in the drawings depict portions of the Bluetooth speaker that form no part of the claimed design.

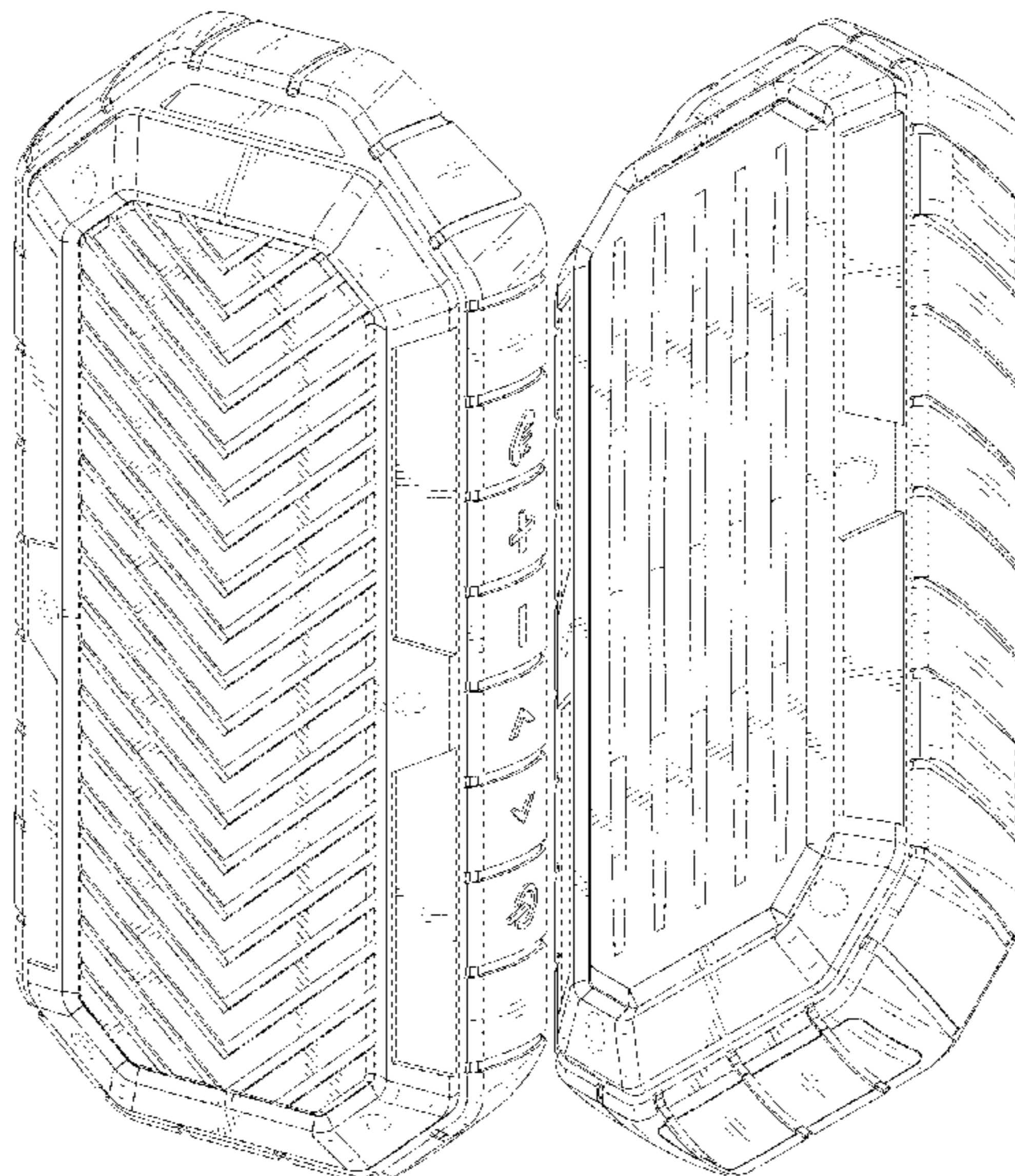
(56)

References Cited

U.S. PATENT DOCUMENTS

D584,287 S * 1/2009 Pauschitz D14/214
D754,092 S * 4/2016 Mackiewicz D14/172
D767,534 S * 9/2016 Xiong D14/214
D793,729 S * 8/2017 Schneider D3/294
D795,214 S * 8/2017 Tschopp D14/138 G
D875,075 S * 2/2020 Teruzzi D14/214

1 Claim, 8 Drawing Sheets



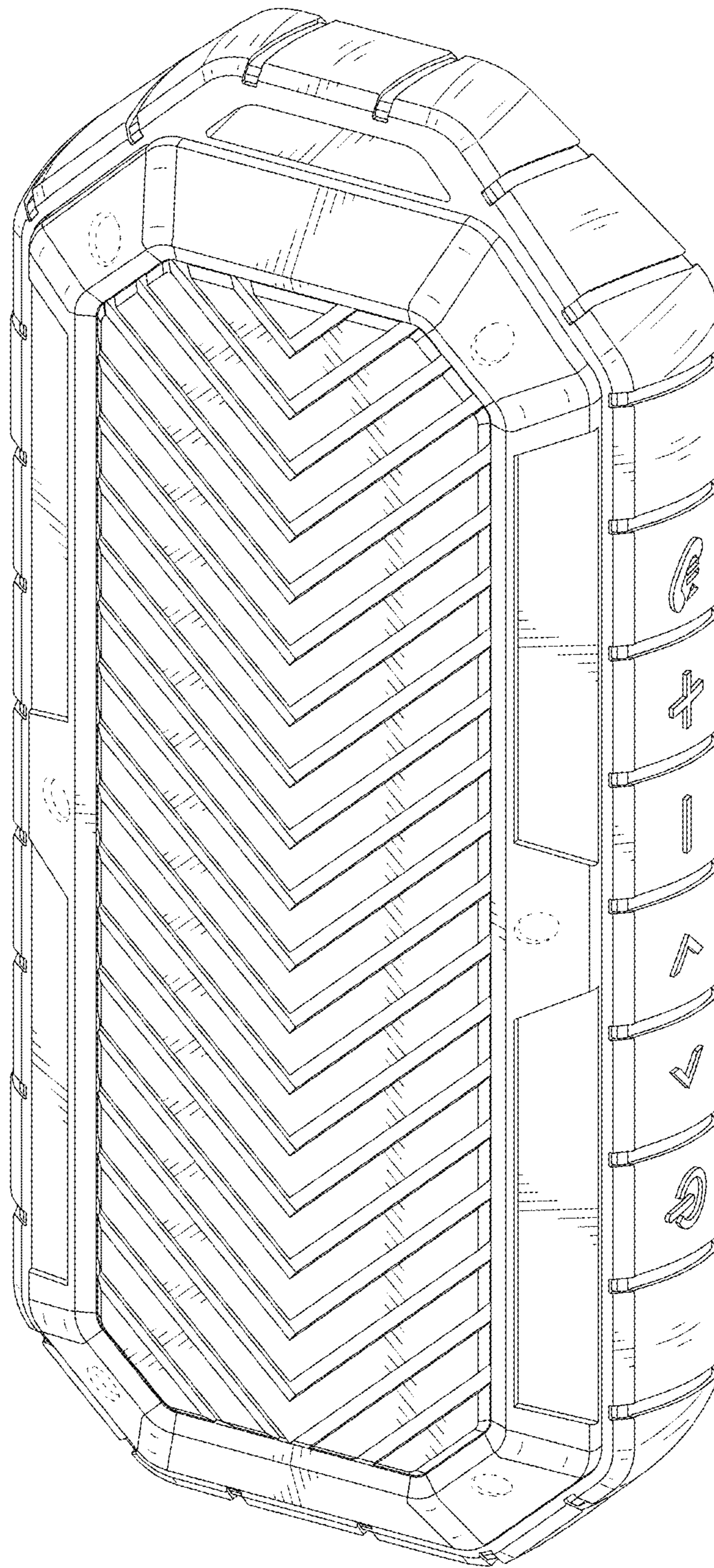


FIG.1

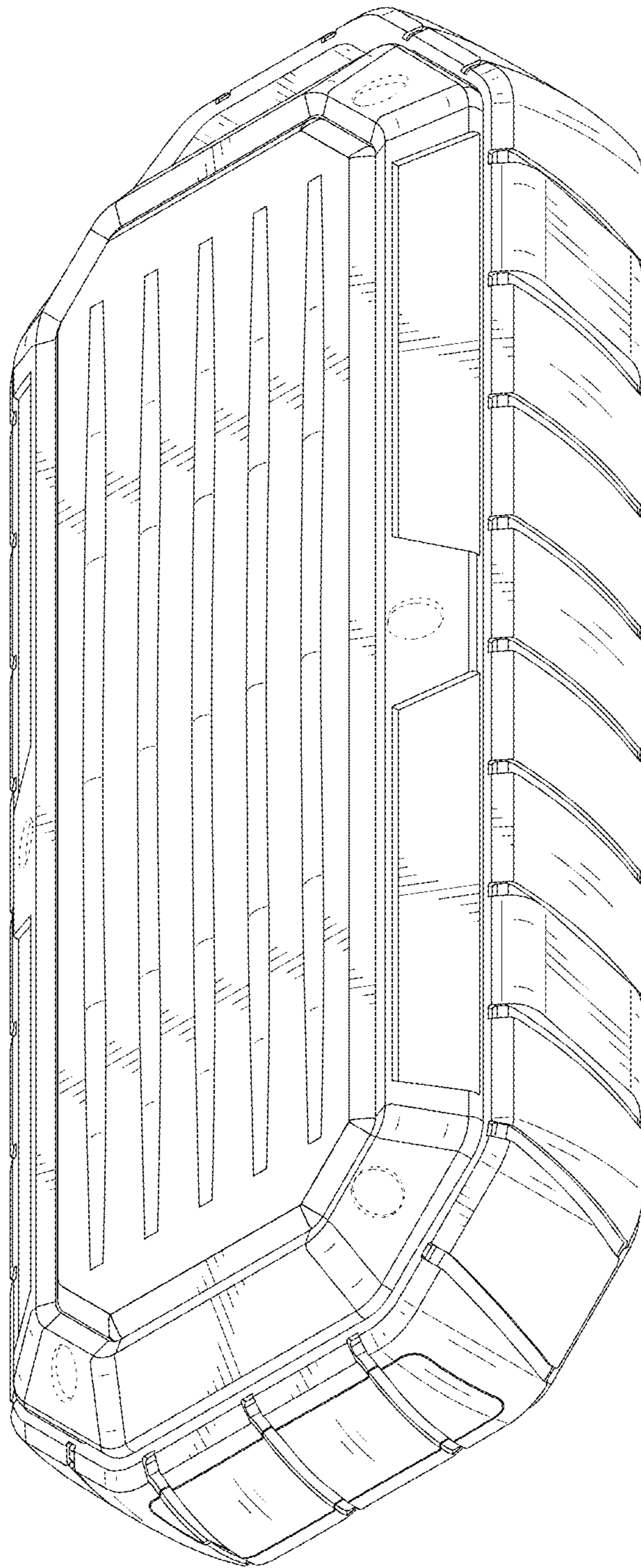


FIG.2

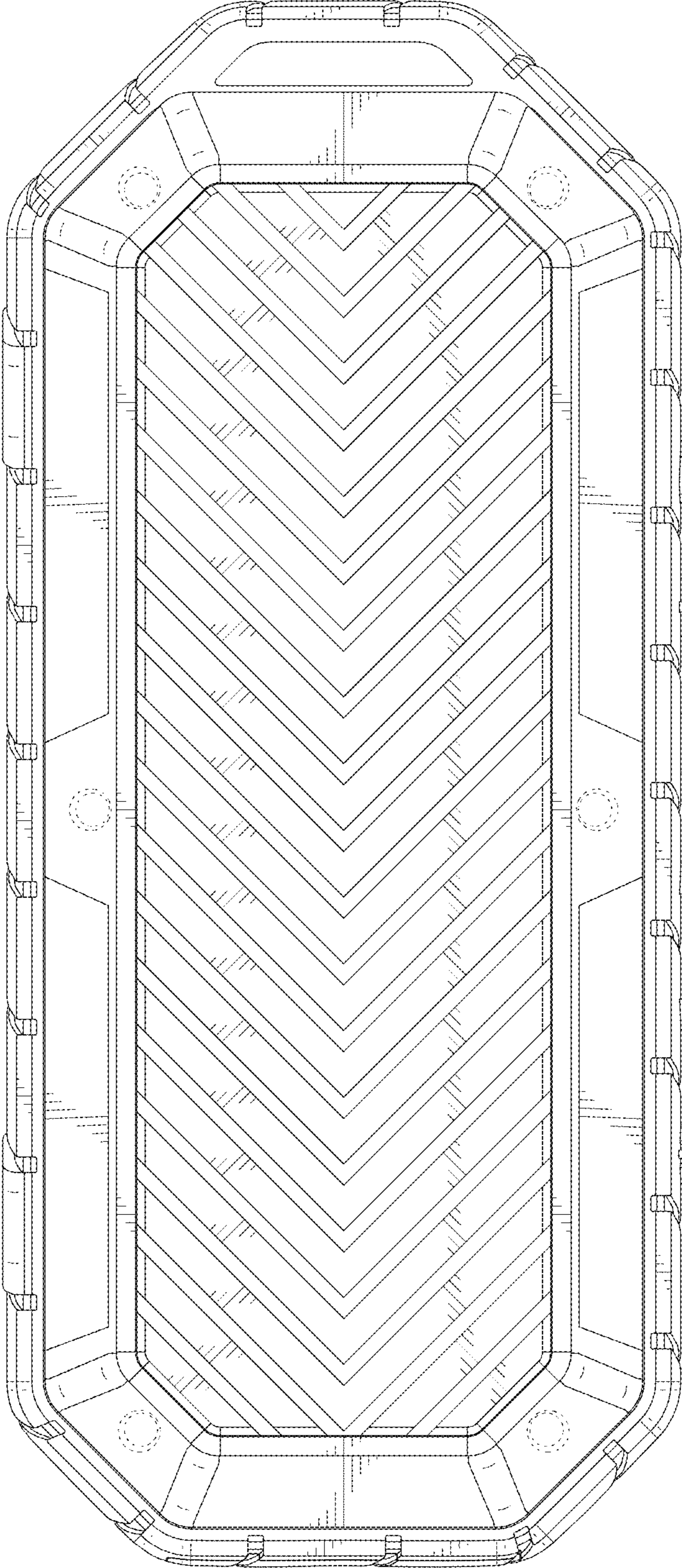


FIG.3

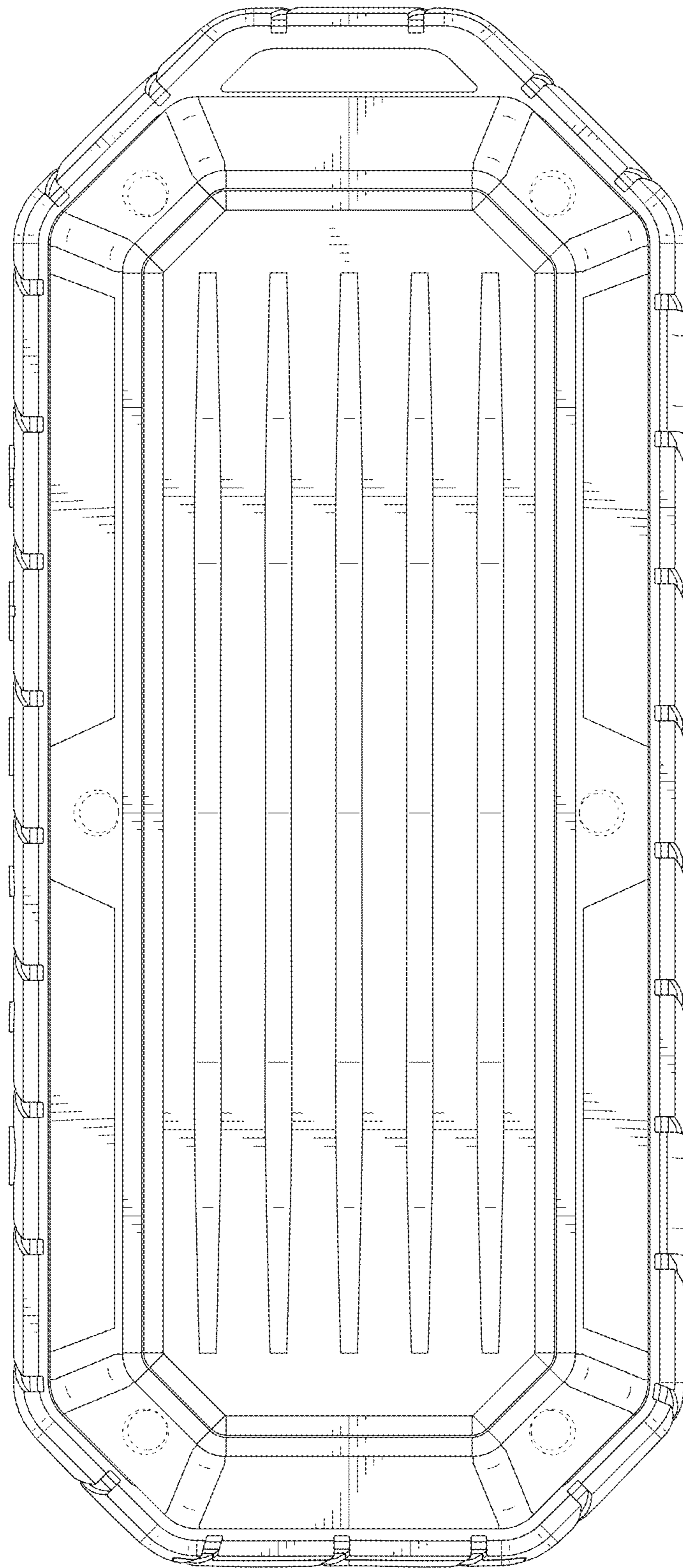


FIG.4

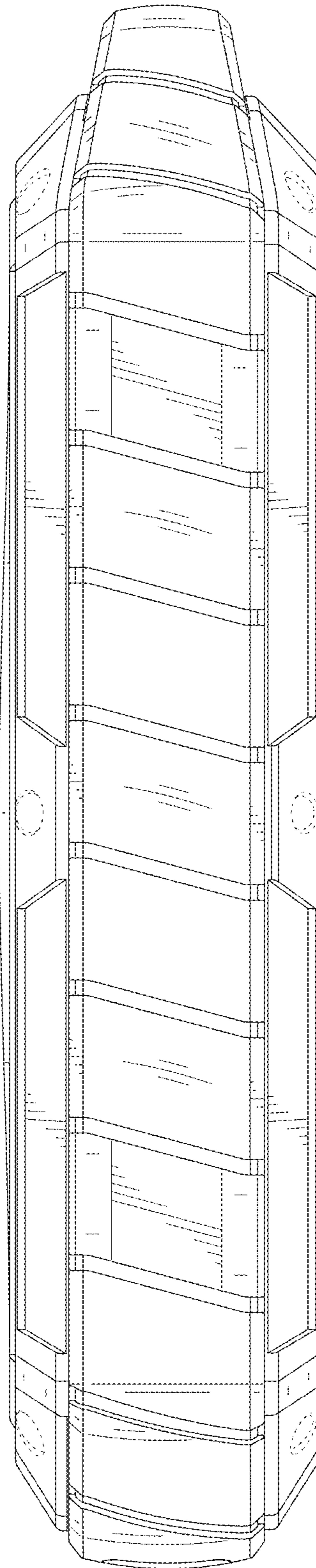


FIG.5

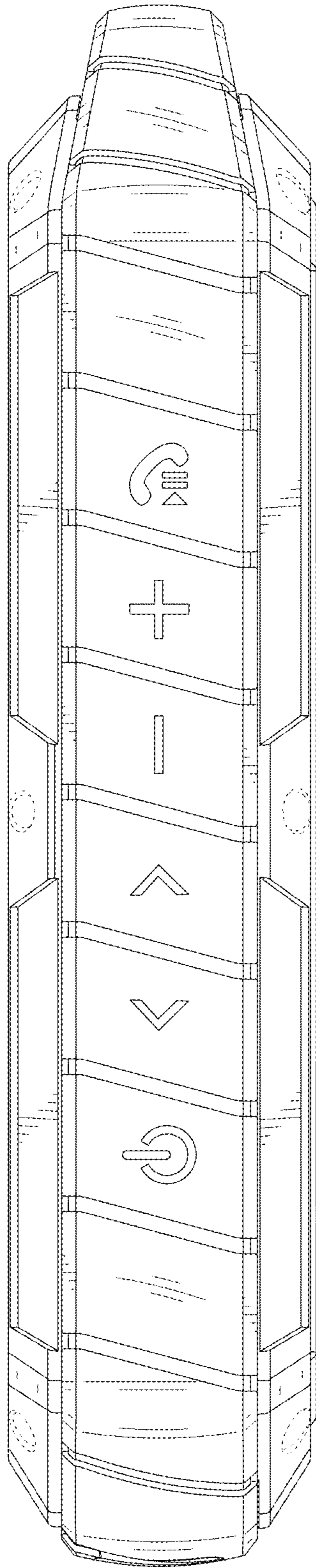


FIG.6

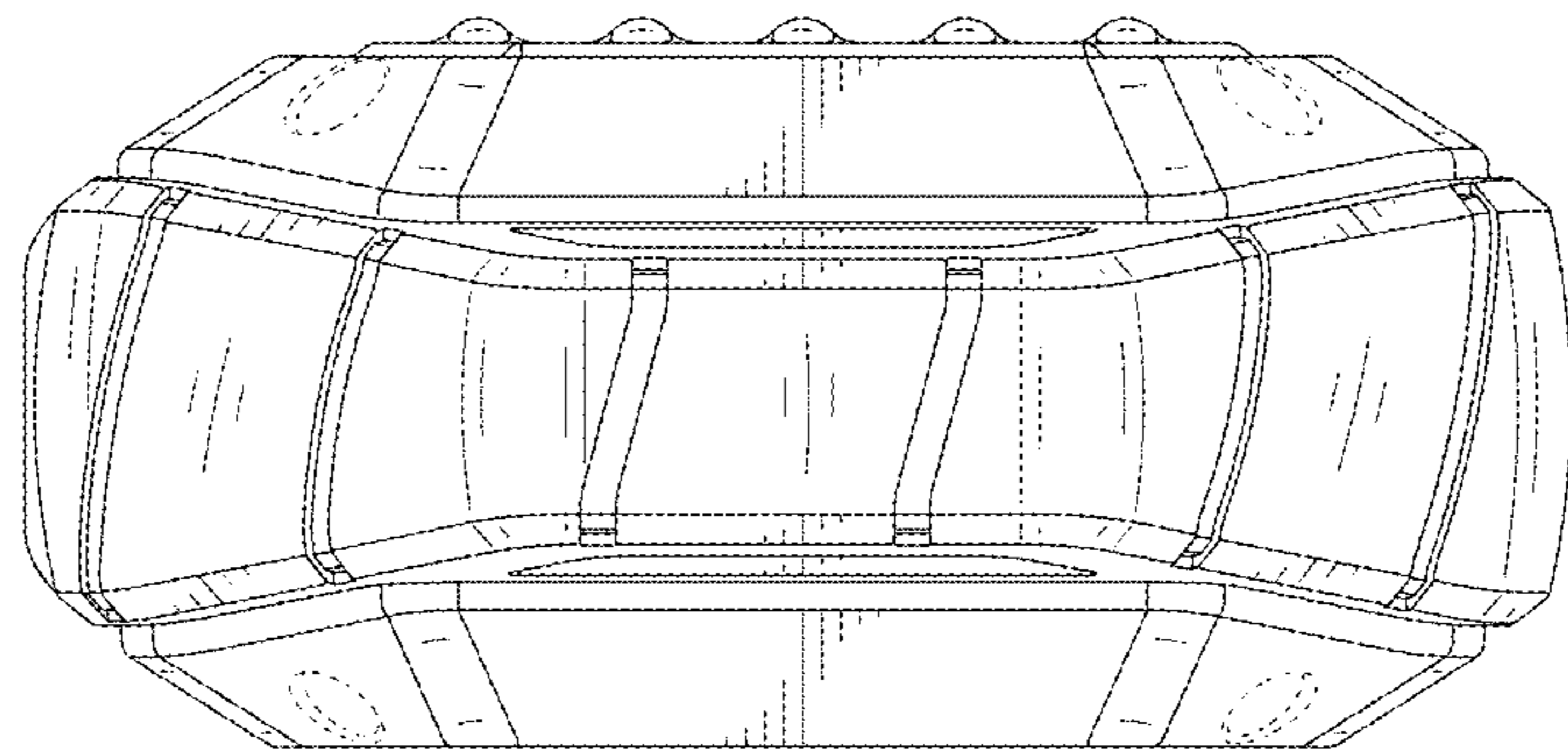


FIG.7

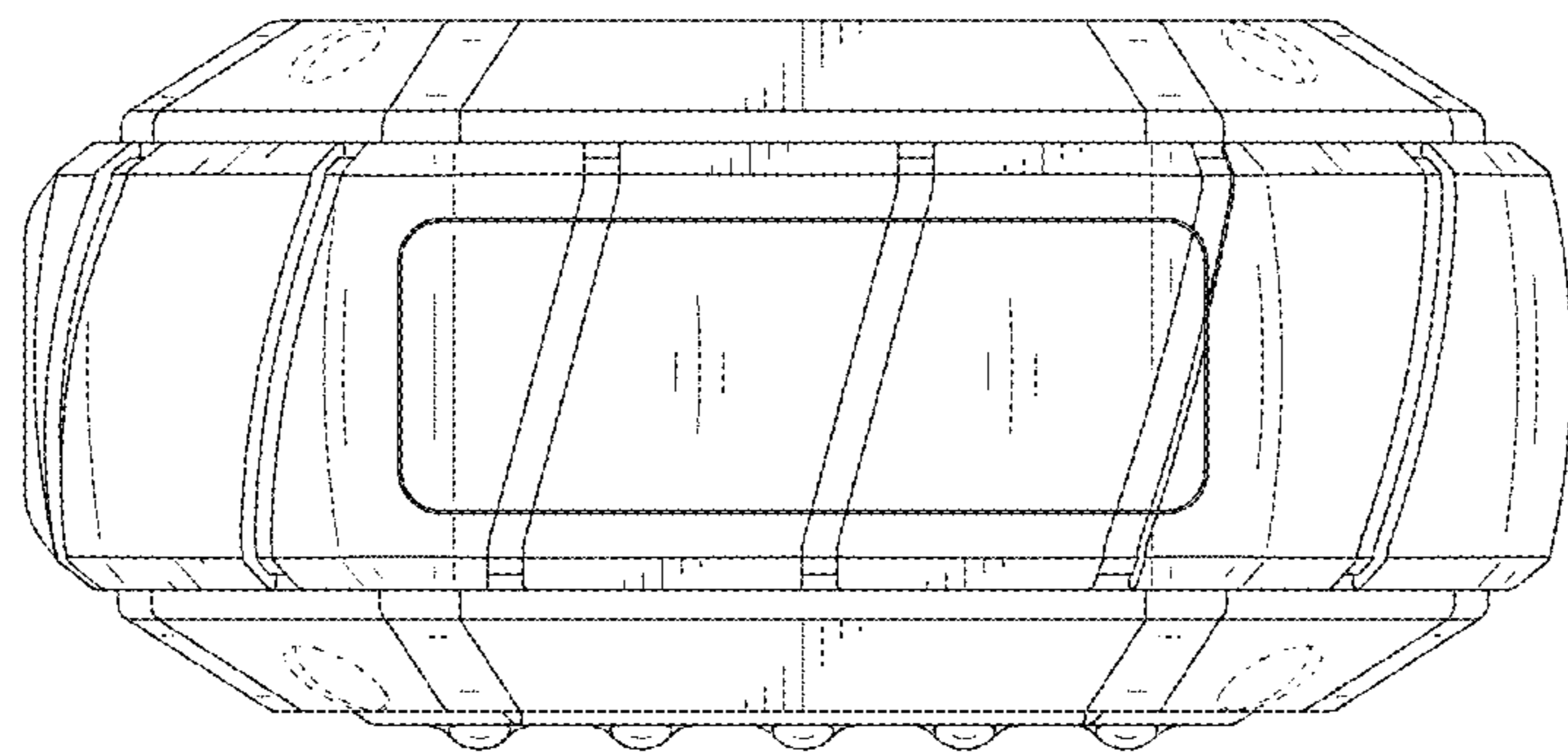


FIG.8