



US00D938384S

(12) **United States Design Patent**
Guerena

(10) **Patent No.:** **US D938,384 S**

(45) **Date of Patent:** **** Dec. 14, 2021**

- (54) **AUDIO HEADPHONES**
- (71) Applicant: **ThinkWrite Technologies LLC**,
Carlsbad, CA (US)
- (72) Inventor: **Michael Guerena**, Fallbrook, CA (US)
- (73) Assignee: **THINKWRITE TECHNOLOGIES LLC**, Carlsbad, CA (US)
- (**) Term: **15 Years**
- (21) Appl. No.: **29/725,432**
- (22) Filed: **Feb. 25, 2020**
- (51) **LOC (13) Cl.** **14-01**
- (52) **U.S. Cl.**
USPC **D14/205**
- (58) **Field of Classification Search**
USPC D14/205, 188, 192; D29/112; 2/209;
381/380, 381, 374, 74; 455/90.3, 575.1,
455/569.1
CPC H04R 1/1066; H04R 1/1016; H04R 5/033;
H04R 5/0335; H04R 25/00; H04R 25/02;
H04R 1/1091; H04R 1/08
See application file for complete search history.

- 6,678,897 B2 * 1/2004 Lindgren A61F 11/14
181/129
 - 6,724,906 B2 * 4/2004 Naksen H04R 1/1066
381/370
 - 7,072,483 B2 * 7/2006 Lenhard-Backhaus
H04R 1/1066
381/370
 - D534,155 S * 12/2006 Obata D14/205
 - D540,301 S * 4/2007 Obata D14/205
 - D552,077 S * 10/2007 Brunner D14/205
 - 7,735,154 B2 * 6/2010 Gellis A61F 11/14
2/209
 - D632,668 S * 2/2011 Brunner D14/205
 - D635,959 S * 4/2011 Hutchieson D14/205
- (Continued)

FOREIGN PATENT DOCUMENTS

- EM 002377150-0001 * 12/2013
 - EM 003811249-0001 * 3/2017
- (Continued)

Primary Examiner — Paula Allen Greene
(74) *Attorney, Agent, or Firm* — Schmeiser, Olsen & Watts, LLP

(57) **CLAIM**

The ornamental design for audio headphones, as shown and described.

DESCRIPTION

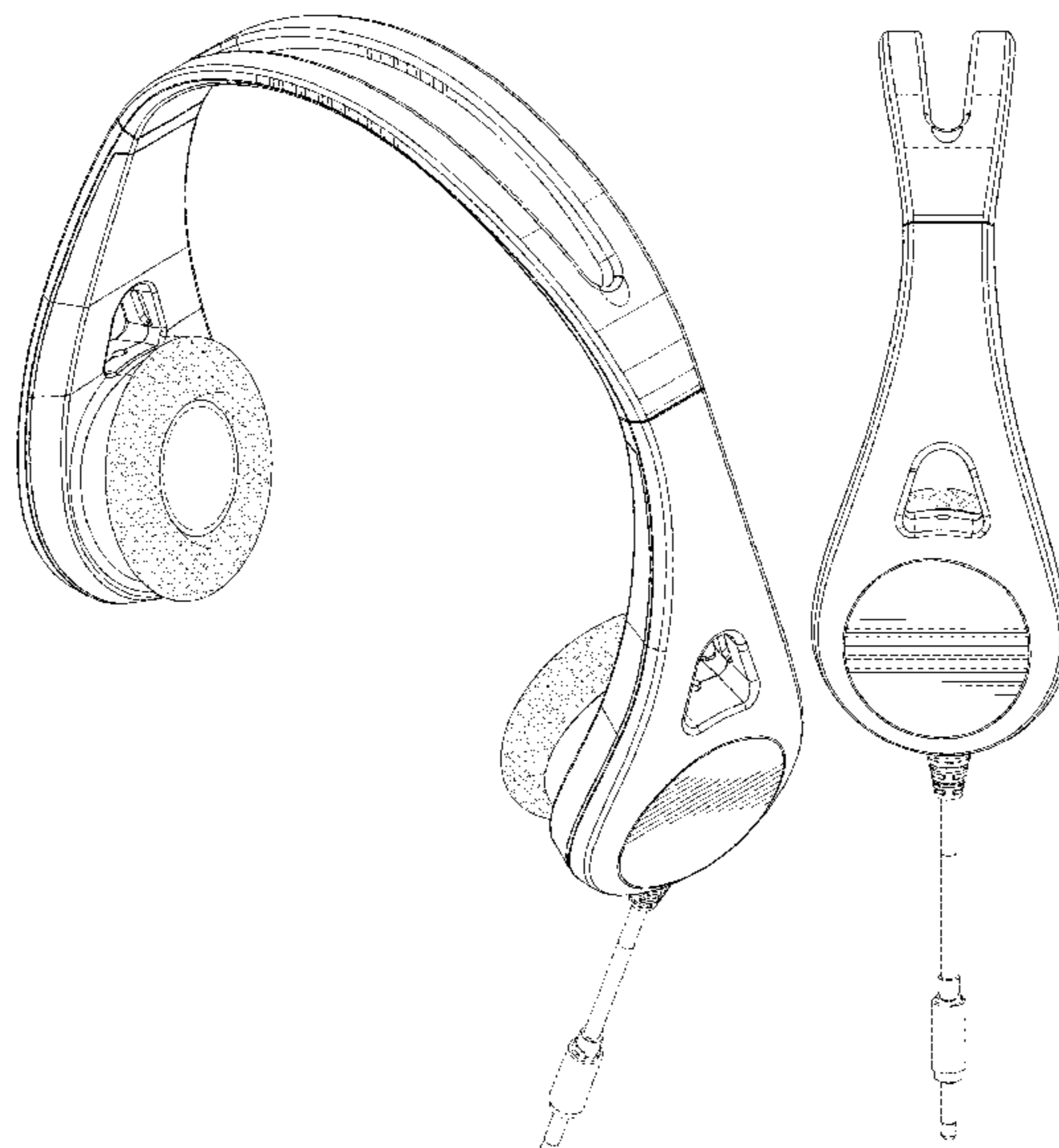
FIG. 1 is a front, top, and left perspective view of audio headphones of my new design;
FIG. 2 is rear, bottom, and left perspective view thereof;
FIG. 3 is a front view thereof;
FIG. 4 is a rear view thereof;
FIG. 5 is a right side view thereof;
FIG. 6 is a left side view thereof;
FIG. 7 is a top view thereof; and,
FIG. 8 is a bottom view thereof.
The broken lines form no part of the claimed design.

1 Claim, 6 Drawing Sheets

(56) **References Cited**

U.S. PATENT DOCUMENTS

- 3,588,384 A * 6/1971 Nagley H04M 1/05
381/375
- D266,244 S * 9/1982 Hofer D14/205
- D345,162 S * 3/1994 Yamatogi D14/205
- D358,389 S * 5/1995 Isono D14/205
- D358,391 S * 5/1995 Isono D14/205
- D423,012 S * 4/2000 Yasutomi D14/205
- D449,034 S * 10/2001 Weikel D14/205
- D449,289 S * 10/2001 Weikel D14/206
- D457,874 S * 5/2002 Yoneda D14/205
- 6,496,589 B1 * 12/2002 Pham H04R 1/08
381/370
- D484,485 S * 12/2003 Matsuoka D14/205



(56)

References Cited

U.S. PATENT DOCUMENTS

D649,527 S * 11/2011 Lee D14/205
 D652,406 S * 1/2012 Lee D14/205
 D660,823 S * 5/2012 Hardi D14/205
 D660,824 S * 5/2012 Hardi D14/205
 D661,683 S * 6/2012 Frey D14/205
 D662,490 S * 6/2012 McSweyn D14/205
 D663,716 S * 7/2012 Hardi D14/205
 D664,117 S * 7/2012 Tappeiner D14/205
 D664,118 S * 7/2012 Tappeiner D14/205
 D666,991 S * 9/2012 Lee D14/205
 D671,914 S * 12/2012 Lee D14/205
 D673,136 S * 12/2012 Kelly D14/205
 D673,518 S * 1/2013 Tan D14/205
 D674,767 S * 1/2013 Brunner D14/205
 D677,648 S * 3/2013 Lee D14/206
 D683,329 S * 5/2013 Hagelin D14/205
 D689,463 S * 9/2013 Hardi D14/205
 D689,843 S * 9/2013 Lee D14/205
 D692,410 S * 10/2013 Brunner H04R 1/1008
 D693,791 S * 11/2013 Troy D14/205
 D696,228 S * 12/2013 Miyake D14/205
 D699,702 S * 2/2014 Chen D14/205
 D702,210 S * 4/2014 Birger H04R 1/1016
 D712,871 S * 9/2014 McNamara D14/205
 D713,817 S * 9/2014 Paterson D14/205
 D716,258 S * 10/2014 Awiszus D14/206
 D716,760 S * 11/2014 Brunner D14/206
 D717,764 S * 11/2014 Lee D14/205
 D722,591 S * 2/2015 Son D14/205
 D727,278 S * 4/2015 Solomon D14/205
 D732,001 S * 6/2015 Licht D14/205
 D738,350 S * 9/2015 Brunner D14/205
 D738,850 S * 9/2015 Chung D14/205
 D740,254 S * 10/2015 Huang D14/205

9,344,794 B1 * 5/2016 Blonder H04R 1/1066
 D758,990 S * 6/2016 Jiang D14/205
 D764,435 S * 8/2016 Brunner D14/205
 D765,056 S * 8/2016 Yang D14/205
 D767,531 S * 9/2016 Szymanski D14/205
 D768,110 S * 10/2016 Suzuki D14/205
 D769,842 S * 10/2016 Rouffiat D14/205
 D785,594 S * 5/2017 Zaihui D14/205
 D786,824 S * 5/2017 Hembrey D14/205
 D791,733 S * 7/2017 Brunner D14/205
 D796,474 S * 9/2017 Treski D14/205
 10,219,068 B2 * 2/2019 Cochran H04R 1/1091
 D850,406 S * 6/2019 Hembrey D14/205
 D853,986 S * 7/2019 Treski D14/205
 D858,483 S * 9/2019 Hu D14/205
 D864,154 S * 10/2019 Hu D14/205
 D864,899 S * 10/2019 He D14/205
 D875,708 S * 2/2020 Tang D14/205
 D877,715 S * 3/2020 Hu D14/205
 D881,157 S * 4/2020 Chen D14/205
 D881,842 S * 4/2020 Hu D14/205
 D904,338 S * 12/2020 Treski D14/205
 D904,339 S * 12/2020 Wang D14/205
 D915,348 S * 4/2021 He D14/206
 2003/0210801 A1 * 11/2003 Naksen H04R 1/1066
 2009/0010476 A1 * 1/2009 Pan H04R 1/1033
 2015/0139472 A1 * 5/2015 Solomon H04R 1/1008
 2018/0206023 A1 * 7/2018 Lee H04R 1/1041

FOREIGN PATENT DOCUMENTS

EM 006368080-0002 * 4/2019
 EM 006950135-0003 * 9/2019
 EM 008207286-0001 * 10/2020
 EM 008272686-0001 * 11/2020

* cited by examiner

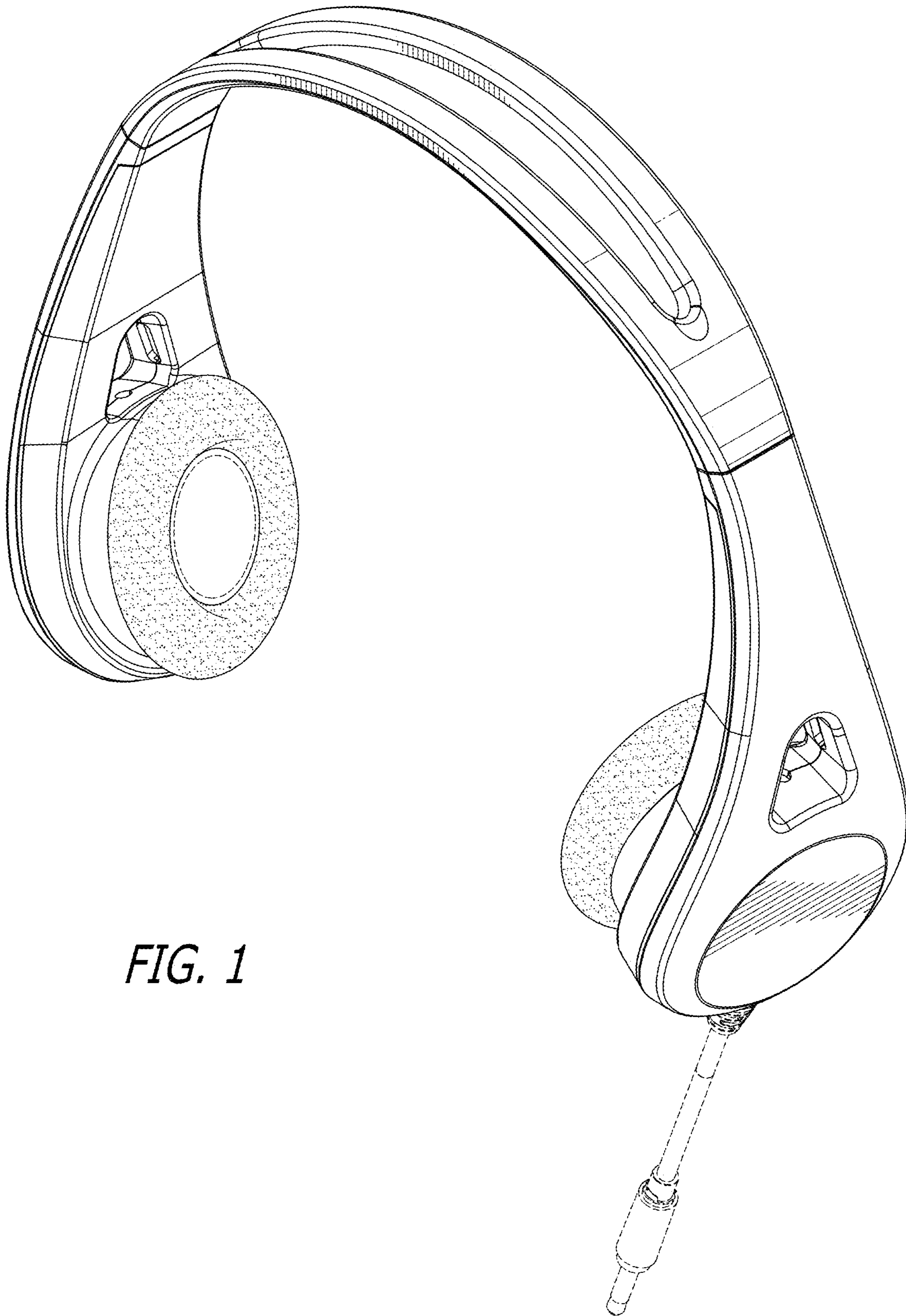


FIG. 1

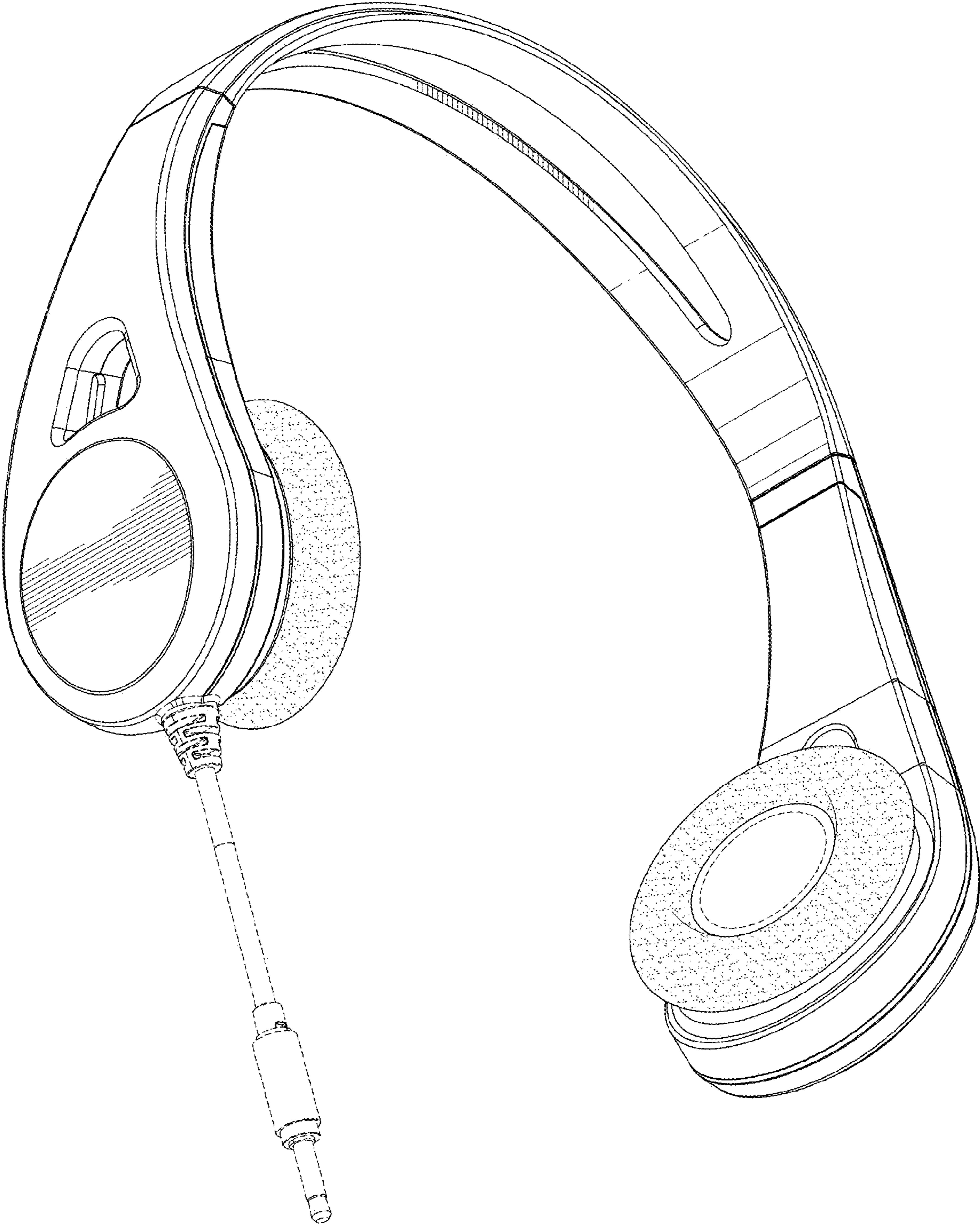


FIG. 2

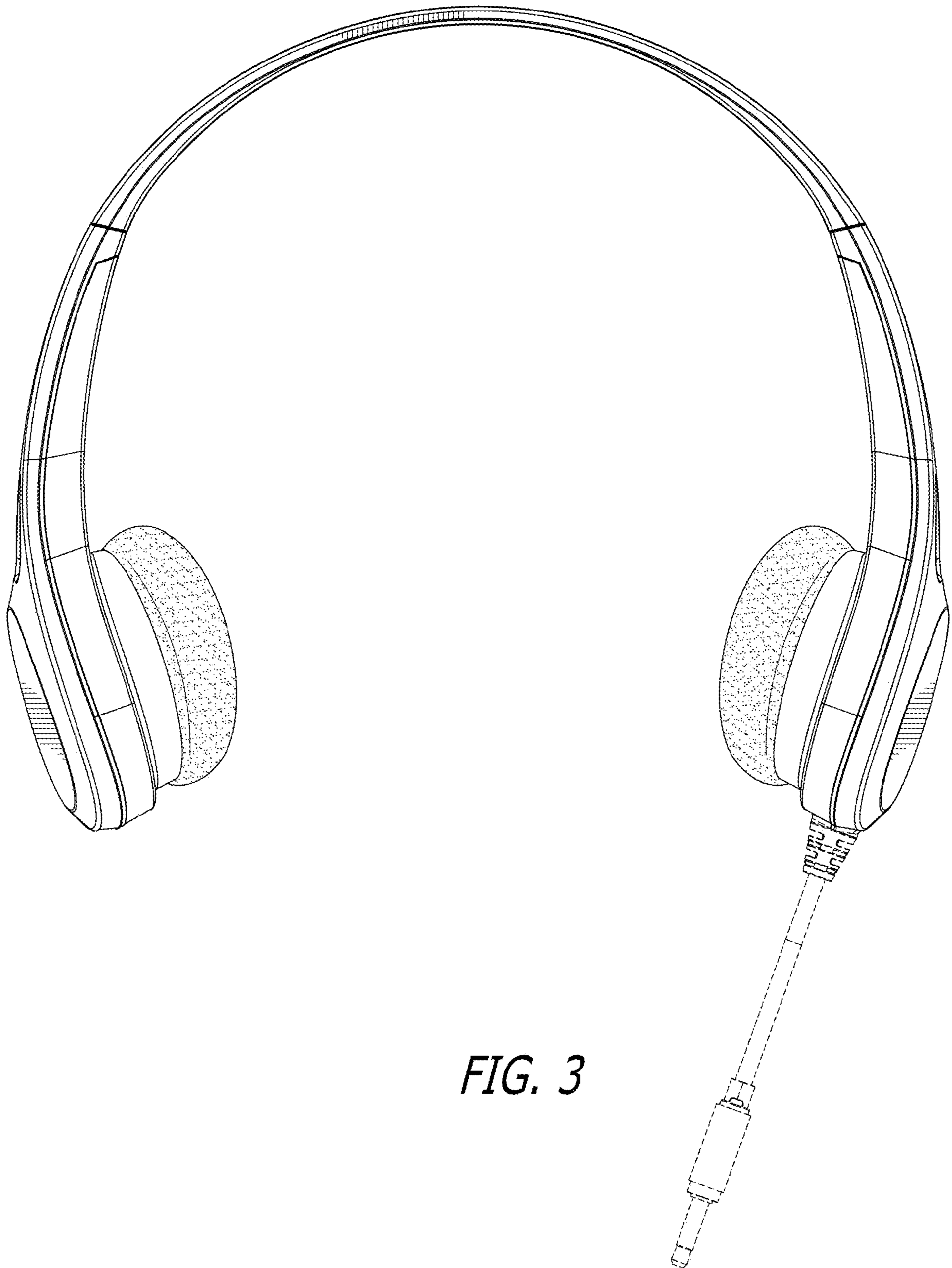


FIG. 3

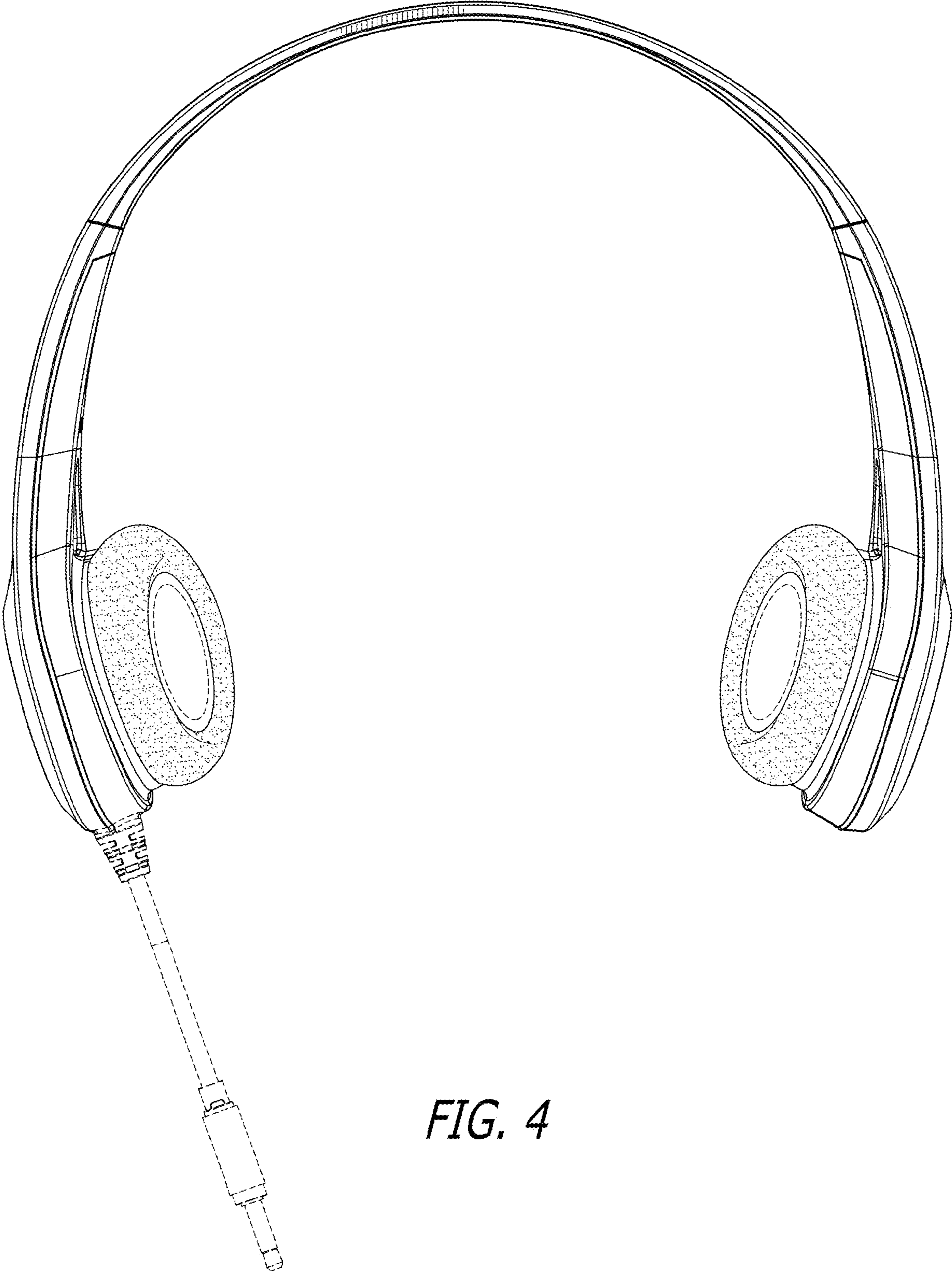


FIG. 4

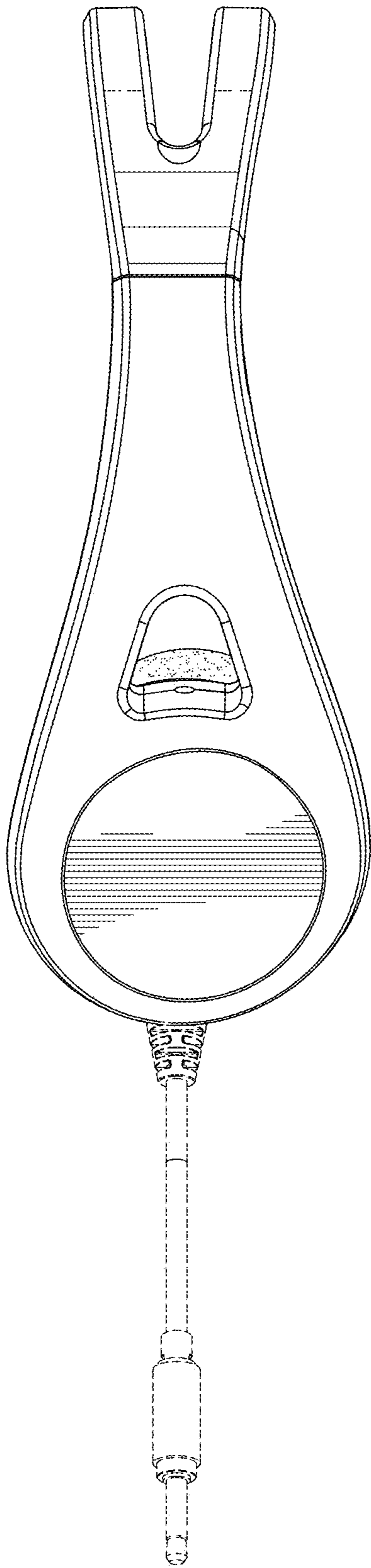


FIG. 5

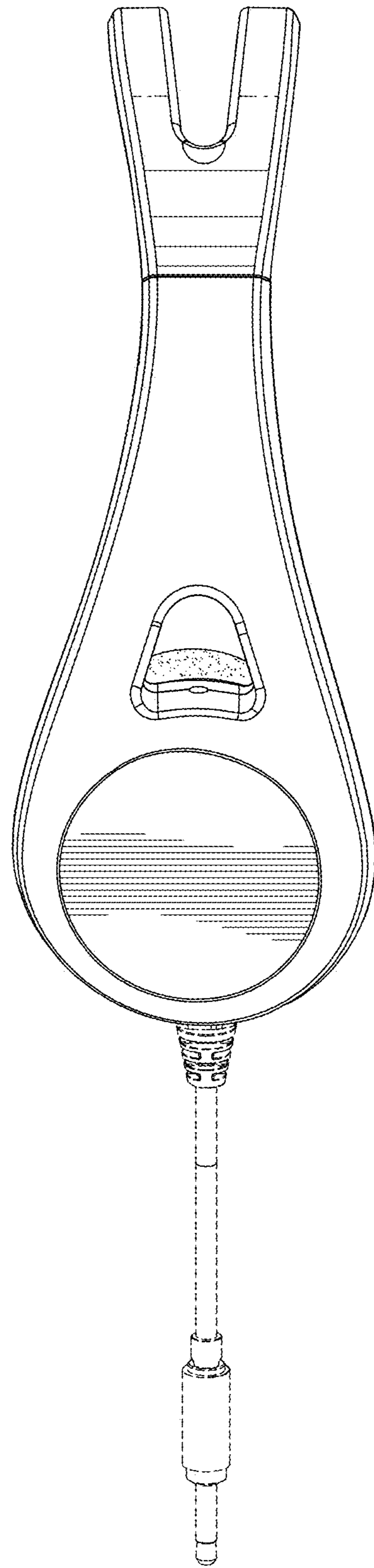


FIG. 6

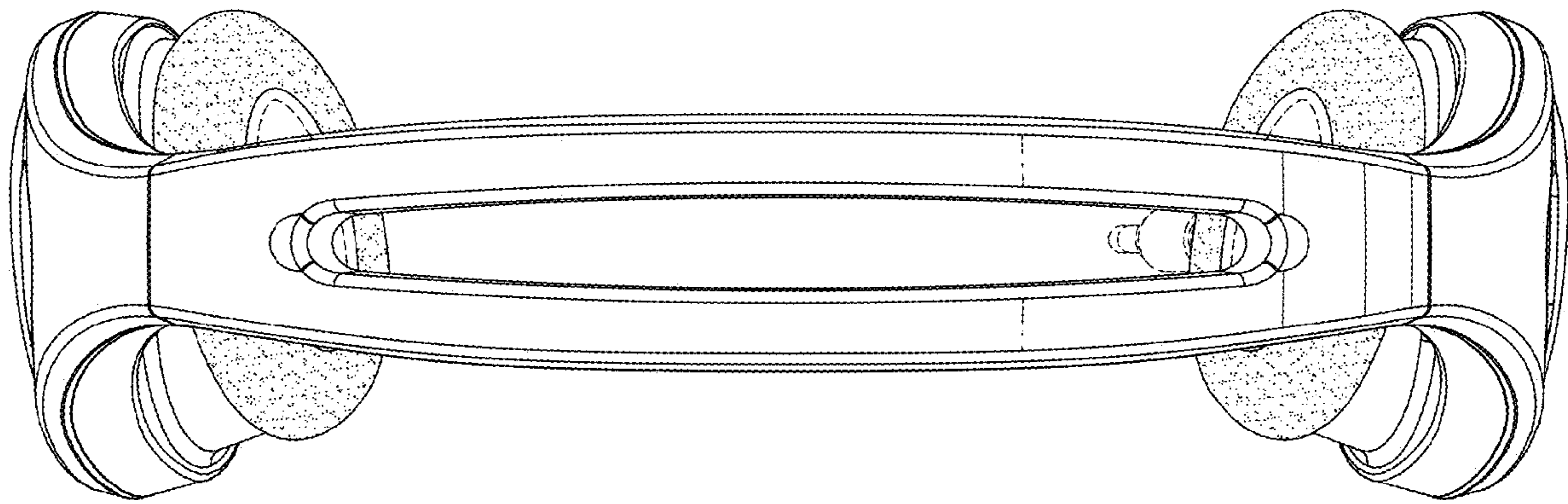


FIG. 7

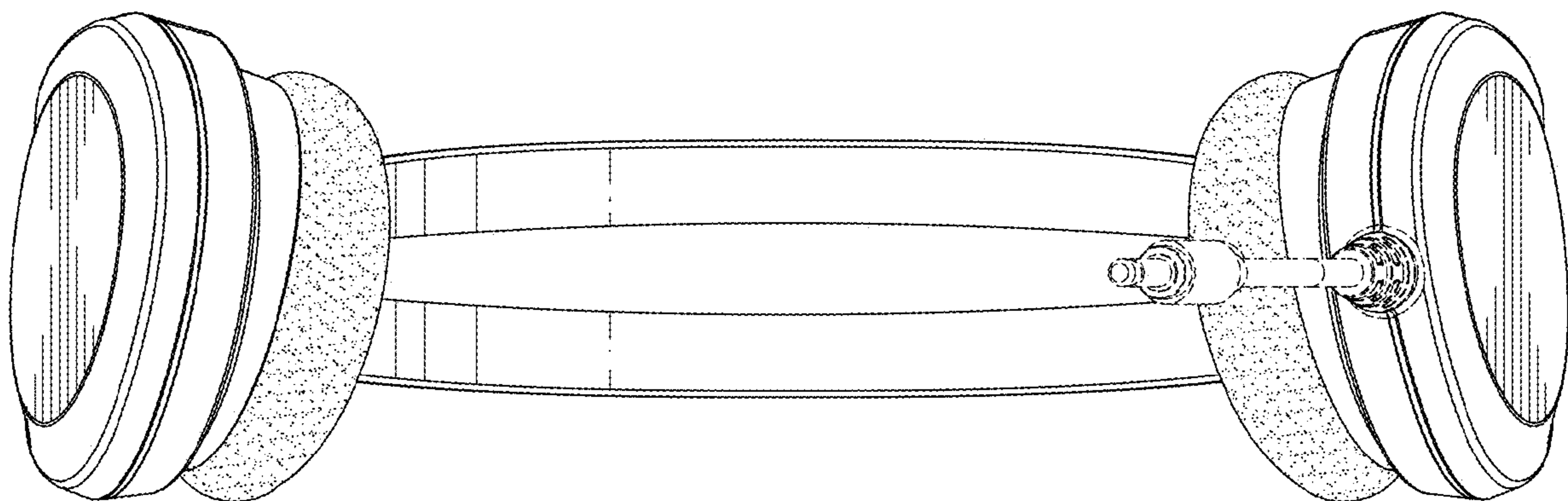


FIG. 8