



US00D938383S

(12) **United States Design Patent**  
**Xiong**

(10) **Patent No.:** **US D938,383 S**

(45) **Date of Patent:** **\*\* Dec. 14, 2021**

(54) **WIRELESS SPEAKER**  
(71) Applicant: **Jieqing Xiong**, Shenzhen (CN)  
(72) Inventor: **Jieqing Xiong**, Shenzhen (CN)  
(73) Assignee: **SHENZHEN SHANZHONG TECHNOLOGY CO., LTD**, Shenzhen (CN)

(\*\*) Term: **15 Years**

(21) Appl. No.: **29/761,018**

(22) Filed: **Dec. 7, 2020**

(51) **LOC (13) Cl.** ..... **14-01**

(52) **U.S. Cl.**  
USPC ..... **D14/204**

(58) **Field of Classification Search**  
USPC ..... D14/170–172, 188, 203.1, 203.3, 204, D14/348  
CPC . H04R 1/02; H04R 1/023; H04R 5/02; H04R 7/00; H04R 7/02; H04R 9/06; H04R 2400/00

See application file for complete search history.

(56) **References Cited**

**U.S. PATENT DOCUMENTS**

D722,595 S \* 2/2015 Mackiewicz ..... D14/216  
D726,155 S 4/2015 Cheng

D726,684 S \* 4/2015 Schmiedbauer ..... D14/210  
D727,298 S 4/2015 Chang  
D748,074 S \* 1/2016 Schmiedbauer ..... D14/210  
D753,630 S \* 4/2016 Kim ..... D14/216  
D798,268 S \* 9/2017 Fang ..... D14/216  
D800,699 S \* 10/2017 Fischer ..... D14/216  
D807,320 S \* 1/2018 Wong ..... D14/204  
D811,368 S \* 2/2018 Fischer ..... D14/216  
D839,855 S \* 2/2019 Park ..... D14/216  
D849,794 S \* 5/2019 You ..... D14/497  
D852,779 S \* 7/2019 Schmiedbauer ..... D14/210  
D878,334 S 3/2020 Alves

\* cited by examiner

*Primary Examiner* — Janice Patyk

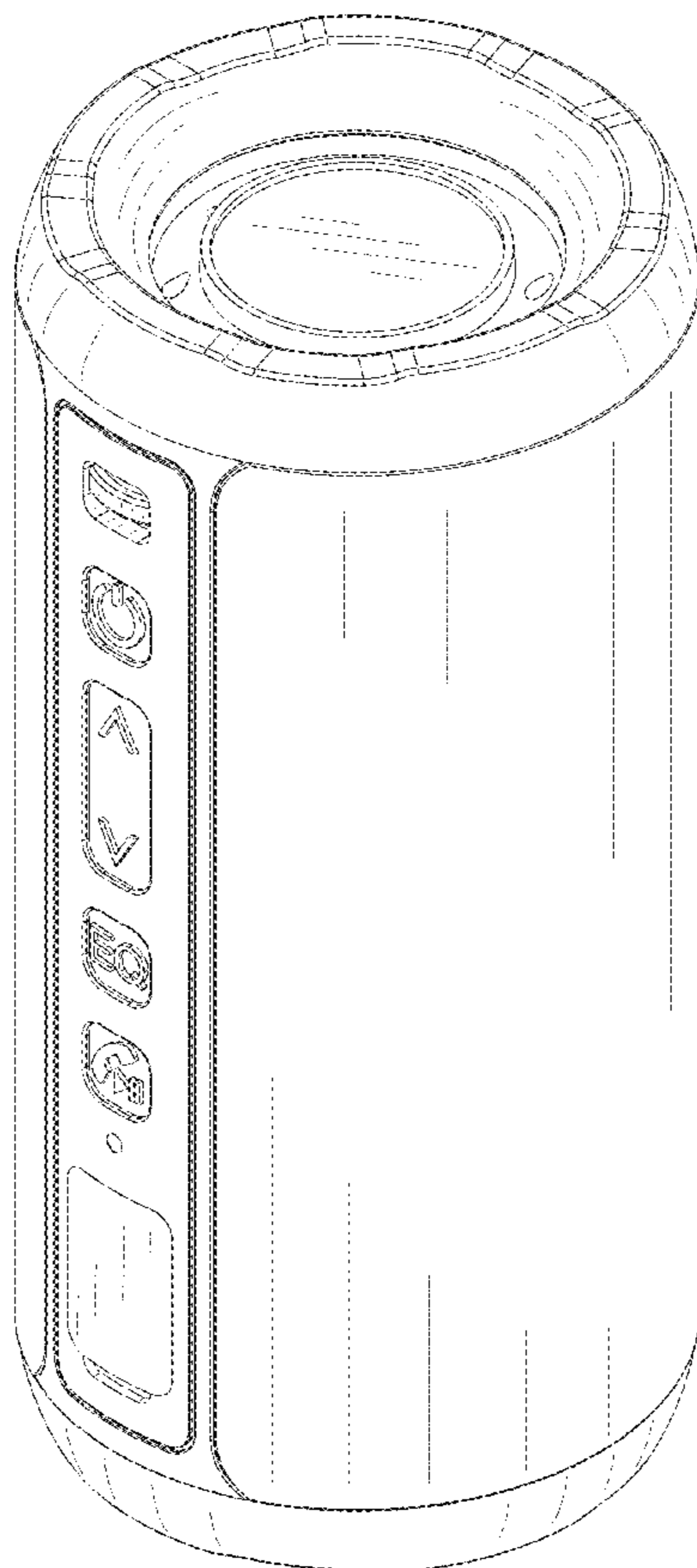
(57) **CLAIM**

The ornamental design for a wireless speaker, as shown and described.

**DESCRIPTION**

FIG. 1 is a front perspective view of a wireless speaker showing my new design;  
FIG. 2 is a rear perspective view thereof;  
FIG. 3 is a front elevational view thereof;  
FIG. 4 is a rear elevational view thereof;  
FIG. 5 is a right side elevational view thereof;  
FIG. 6 is a left side elevational view thereof;  
FIG. 7 is a top plan view thereof; and,  
FIG. 8 is a bottom plan view thereof.

**1 Claim, 8 Drawing Sheets**



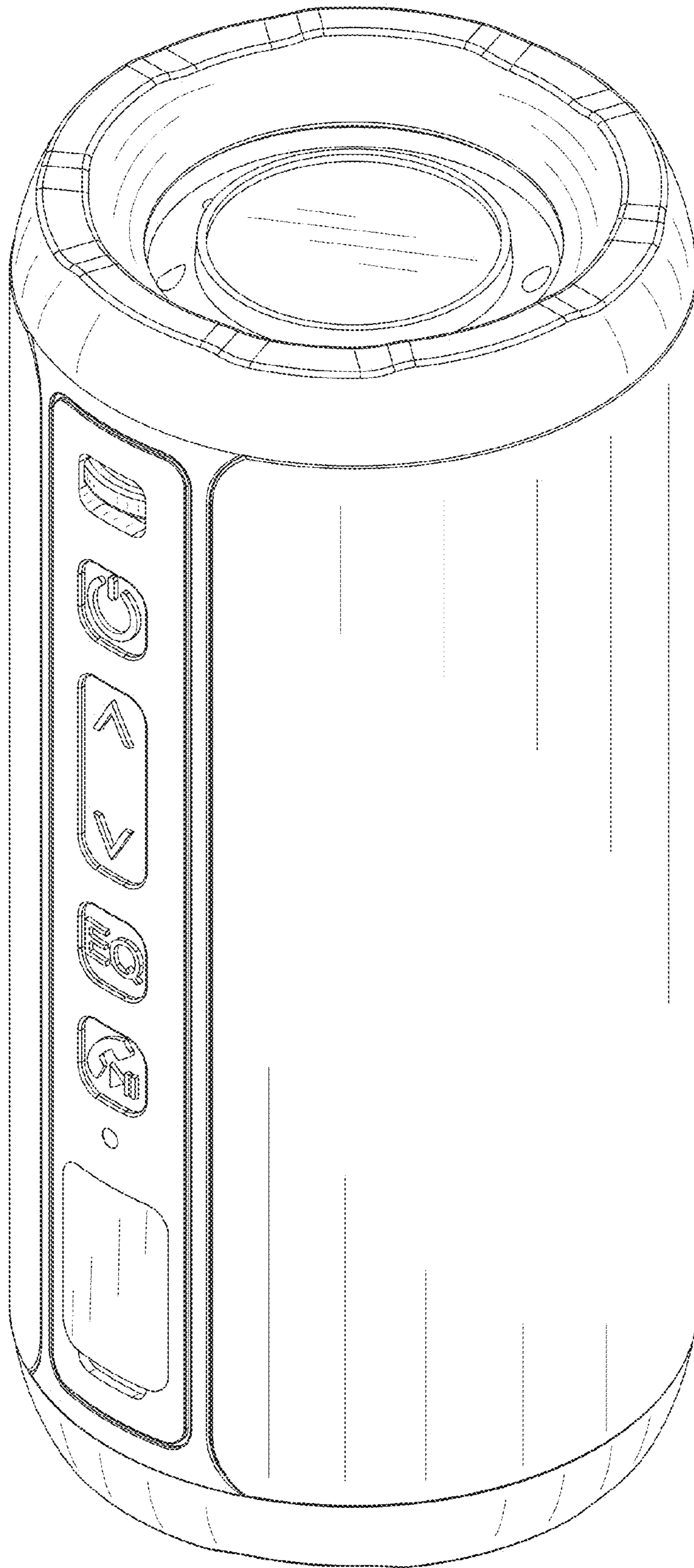


FIG. 1

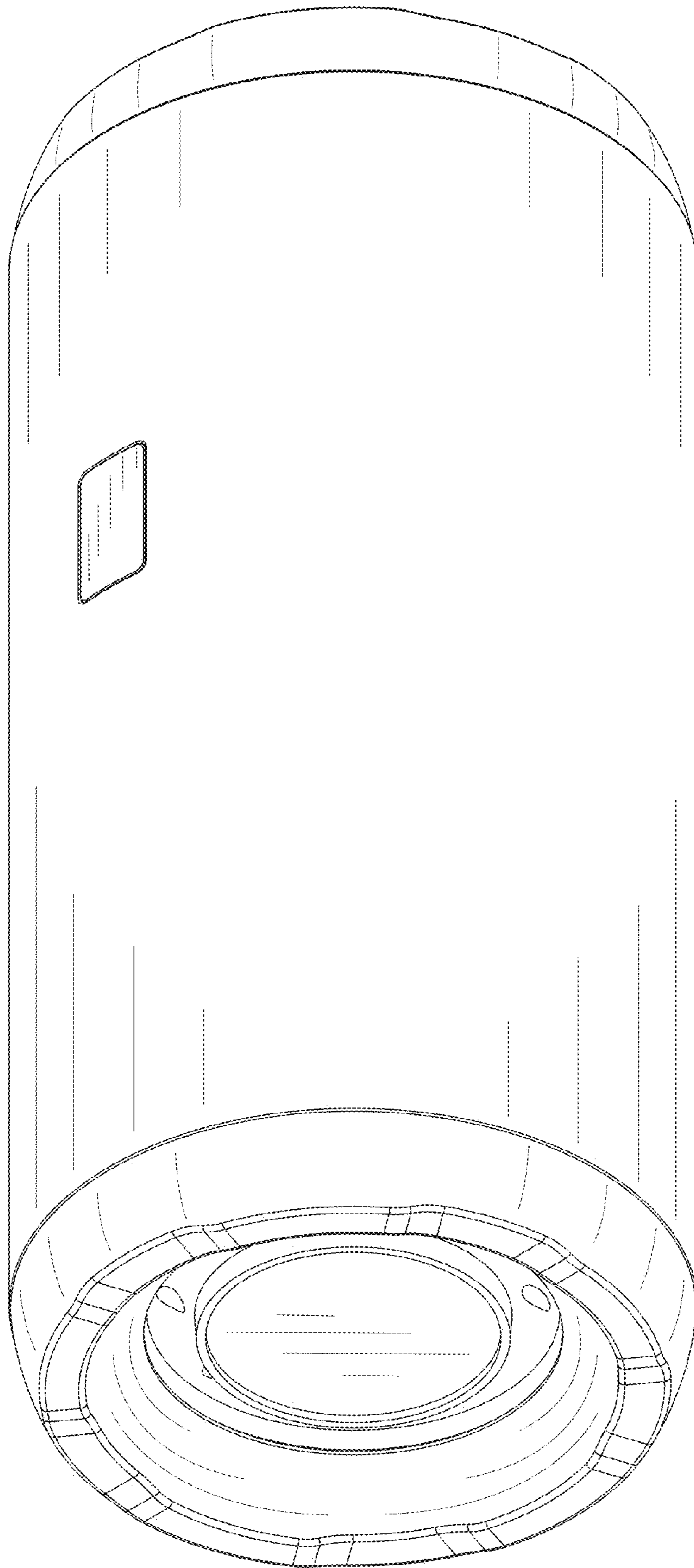


FIG. 2

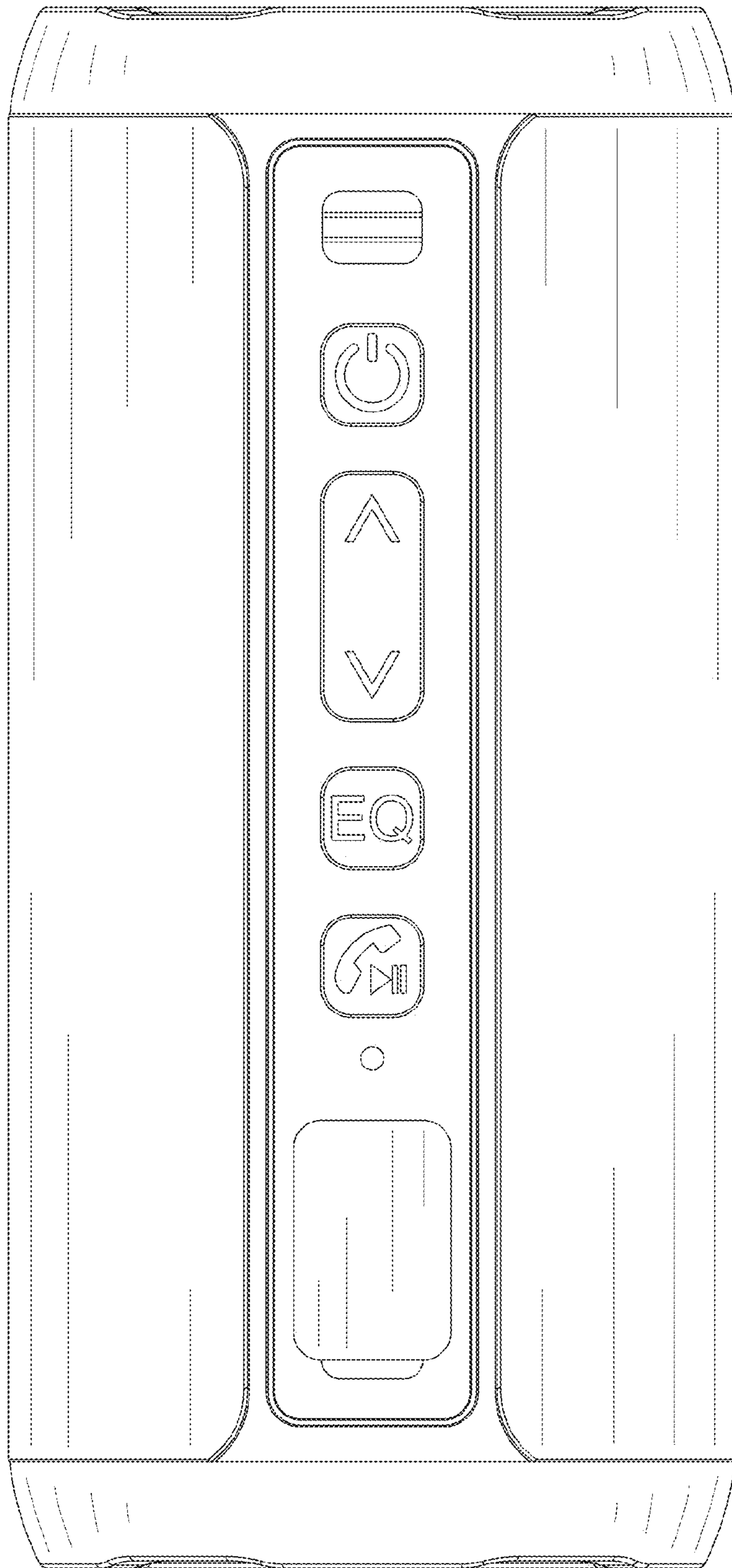


FIG. 3

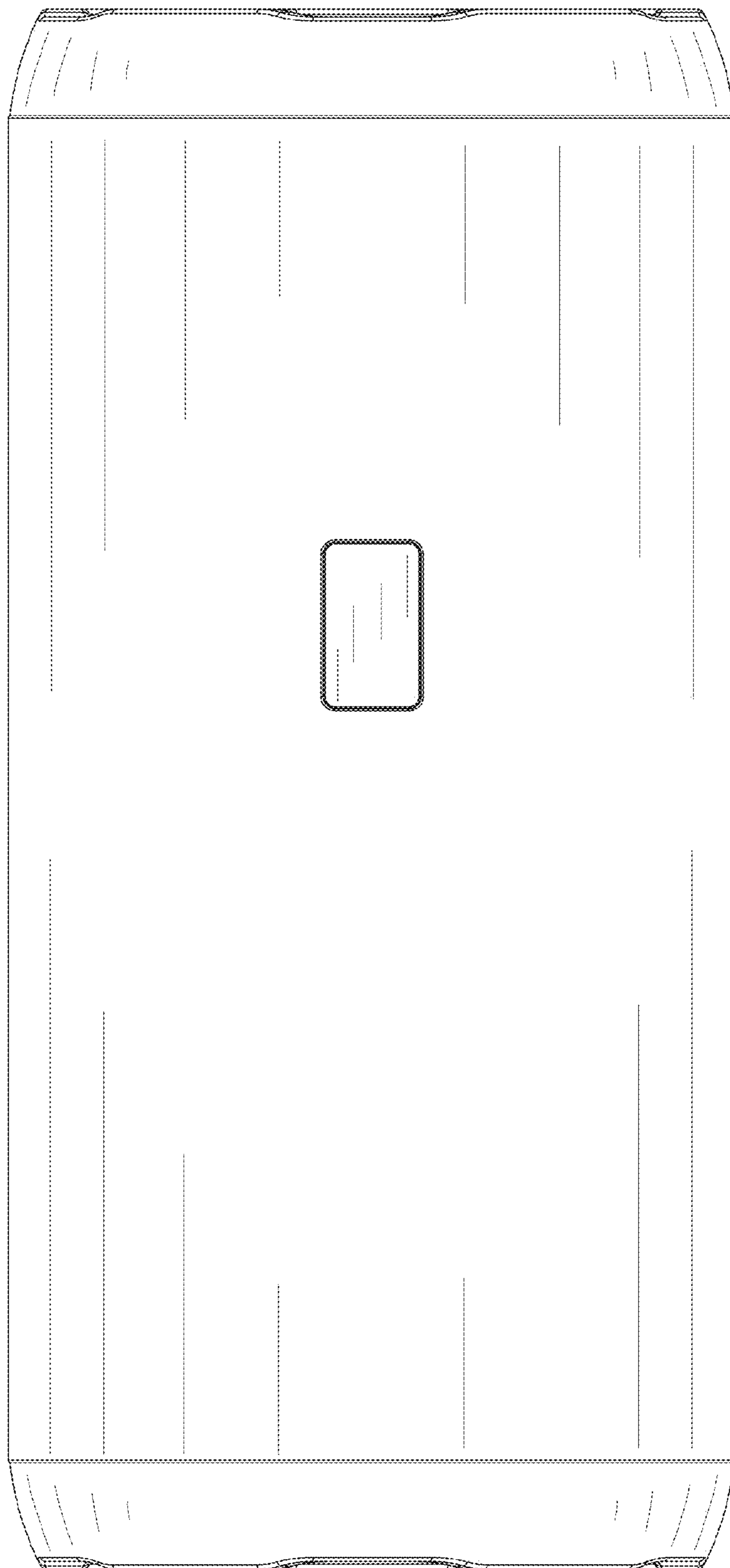


FIG. 4

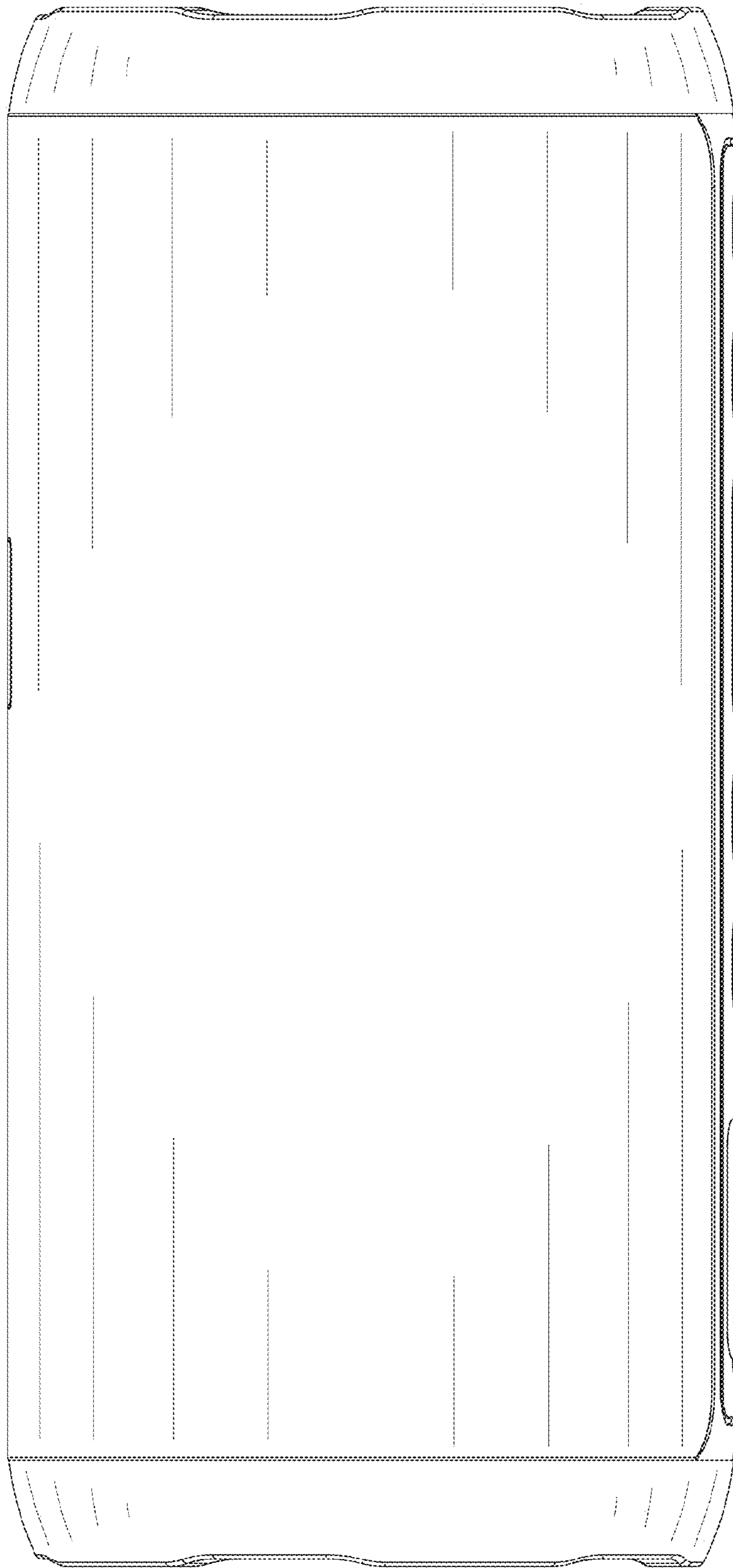


FIG. 5



FIG. 6

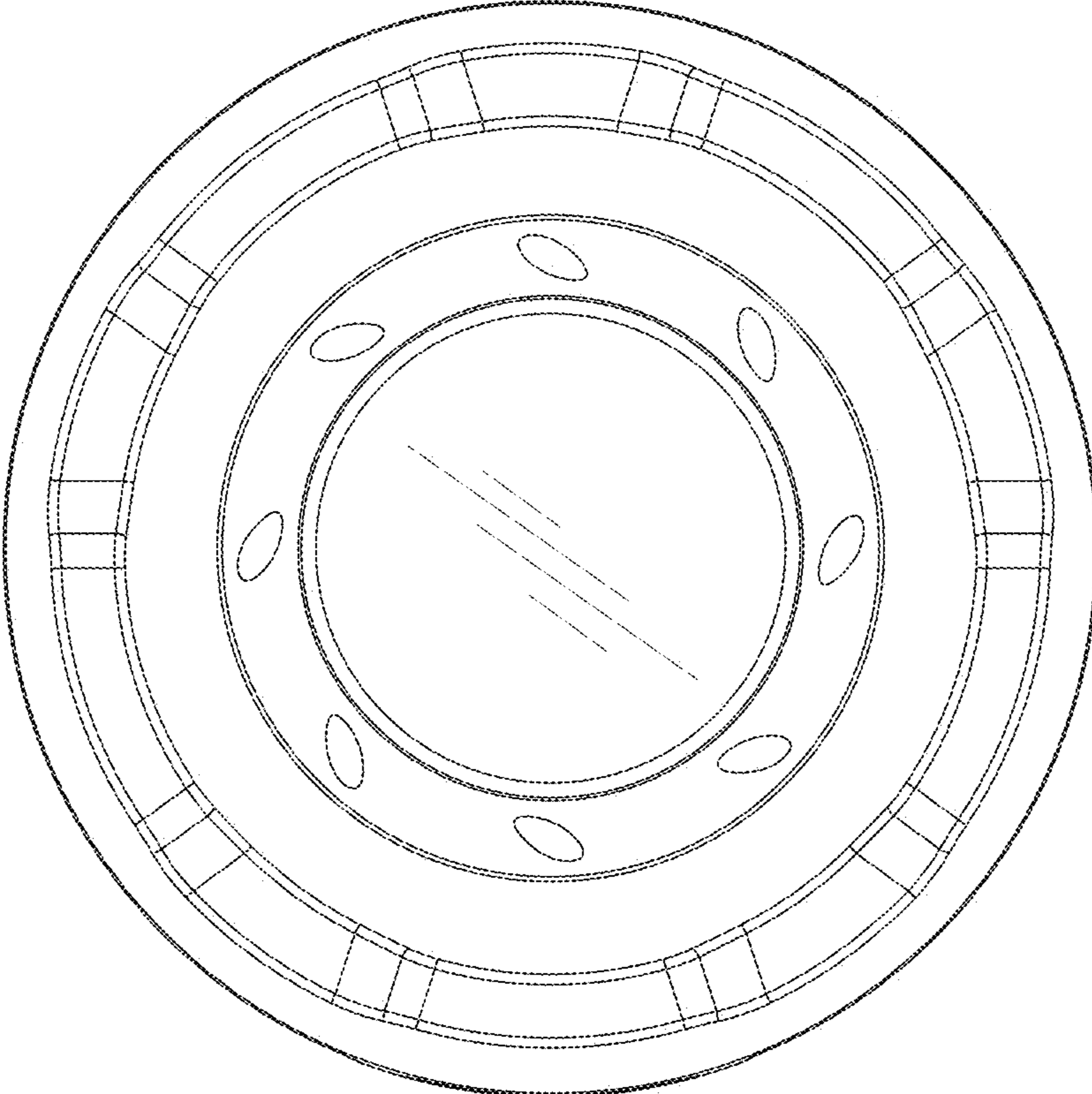


FIG. 7



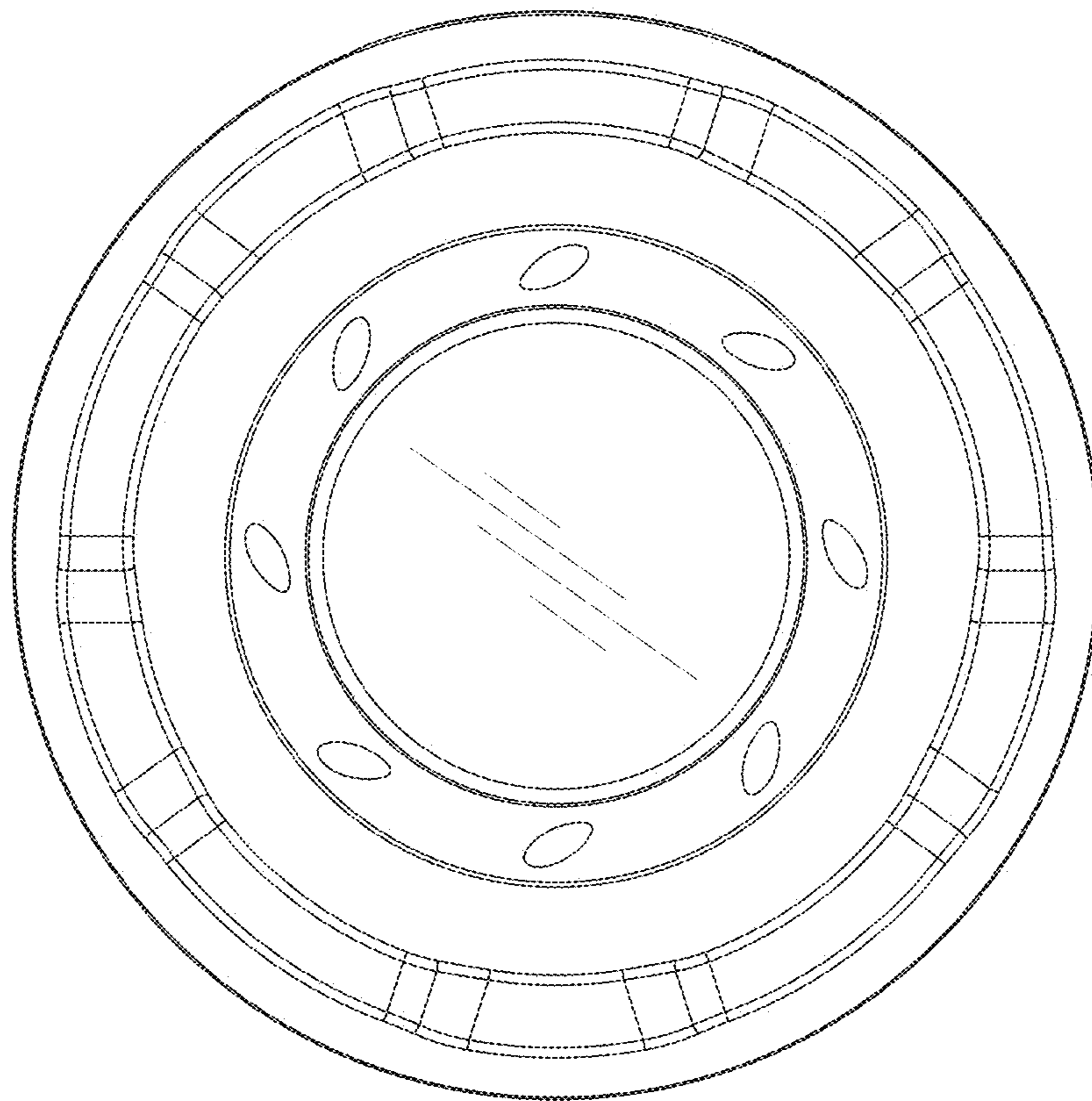


FIG. 8