



US00D938377S

(12) **United States Design Patent**  
**Lin et al.**

(10) **Patent No.:** **US D938,377 S**

(45) **Date of Patent:** **\*\* Dec. 14, 2021**

(54) **VIDEO PHONE**

(71) Applicant: **NANNING FUGUI PRECISION INDUSTRIAL CO., LTD.**, Nanning (CN)

(72) Inventors: **Chih-Ling Lin**, New Taipei (TW); **Chien-Ju Huang**, New Taipei (TW)

(73) Assignee: **NANNING FUGUI PRECISION INDUSTRIAL CO., LTD.**, Nanning (CN)

(\*\*) Term: **15 Years**

(21) Appl. No.: **29/677,417**

(22) Filed: **Jan. 20, 2019**

(51) **LOC (13) Cl.** ..... **14-03**

(52) **U.S. Cl.**  
USPC ..... **D14/130**

(58) **Field of Classification Search**  
USPC ..... D14/130, 138 AA, 138 G, 138 C, 140, D14/132, 128, 129, 305, 307, 239, 240, D14/496, 247, 159, 125, 126, 134, 142, D14/371, 374-377, 336, 151, 448, 450, D14/356-358; D21/329, 331, 330; D24/107, 167, 186; D10/15, 26  
CPC ..... H04M 1/0266; H04M 1/0202; H04M 1/0214; H04M 1/02; H04M 1/0268; H04M 1/0264  
See application file for complete search history.

(56) **References Cited**

**U.S. PATENT DOCUMENTS**

D283,614 S	*	4/1986	Somaschini	.....	348/14.01
D354,954 S	*	1/1995	Naito	.....	D14/130
D415,148 S	*	10/1999	Ma	.....	D14/129
D435,525 S	*	12/2000	Eddington	.....	D14/130
D461,184 S	*	8/2002	Chen	.....	D14/336

D487,435 S	*	3/2004	Huang	.....	D14/129
D512,698 S	*	12/2005	Augenbraun	.....	D14/129
D545,782 S	*	7/2007	Schiller	.....	D14/126
D550,635 S	*	9/2007	DeMaio	.....	D14/126
D559,211 S	*	1/2008	Brown	.....	D14/130
D585,397 S	*	1/2009	Hwang	.....	D14/130
D592,625 S	*	5/2009	Hwang	.....	D14/130
D595,249 S	*	6/2009	Lee	.....	D14/126
D596,598 S	*	7/2009	Huang	.....	D14/130
D608,316 S	*	1/2010	Quiros	.....	D14/130
D609,662 S	*	2/2010	Noreng	.....	D14/130
D615,066 S	*	5/2010	Huang	.....	D14/142
D615,515 S	*	5/2010	Hwang	.....	D14/130
D616,843 S	*	6/2010	Jones	.....	D14/130
D618,192 S	*	6/2010	Huang	.....	D14/130
D620,464 S	*	7/2010	Quiros	.....	D14/130
D626,102 S	*	10/2010	Buzzard	.....	D14/126
D643,825 S	*	8/2011	Hwang	.....	D14/130
D654,450 S	*	2/2012	McManigal	.....	D14/129
D658,616 S	*	5/2012	Van Der Flier	.....	D14/130
D661,266 S	*	6/2012	Laube	.....	D14/126
D718,730 S	*	12/2014	Andresen	.....	D14/126

(Continued)

*Primary Examiner* — Michelle E. Wilson

*Assistant Examiner* — Clese Moore, Jr.

(74) *Attorney, Agent, or Firm* — ScienBiziP, P.C.

(57) **CLAIM**

The ornamental design for a video phone, as shown and described.

**DESCRIPTION**

FIG. 1 is a front elevational view of a video phone showing our design.

FIG. 2 is a rear elevational view thereof.

FIG. 3 is a left side elevational view thereof.

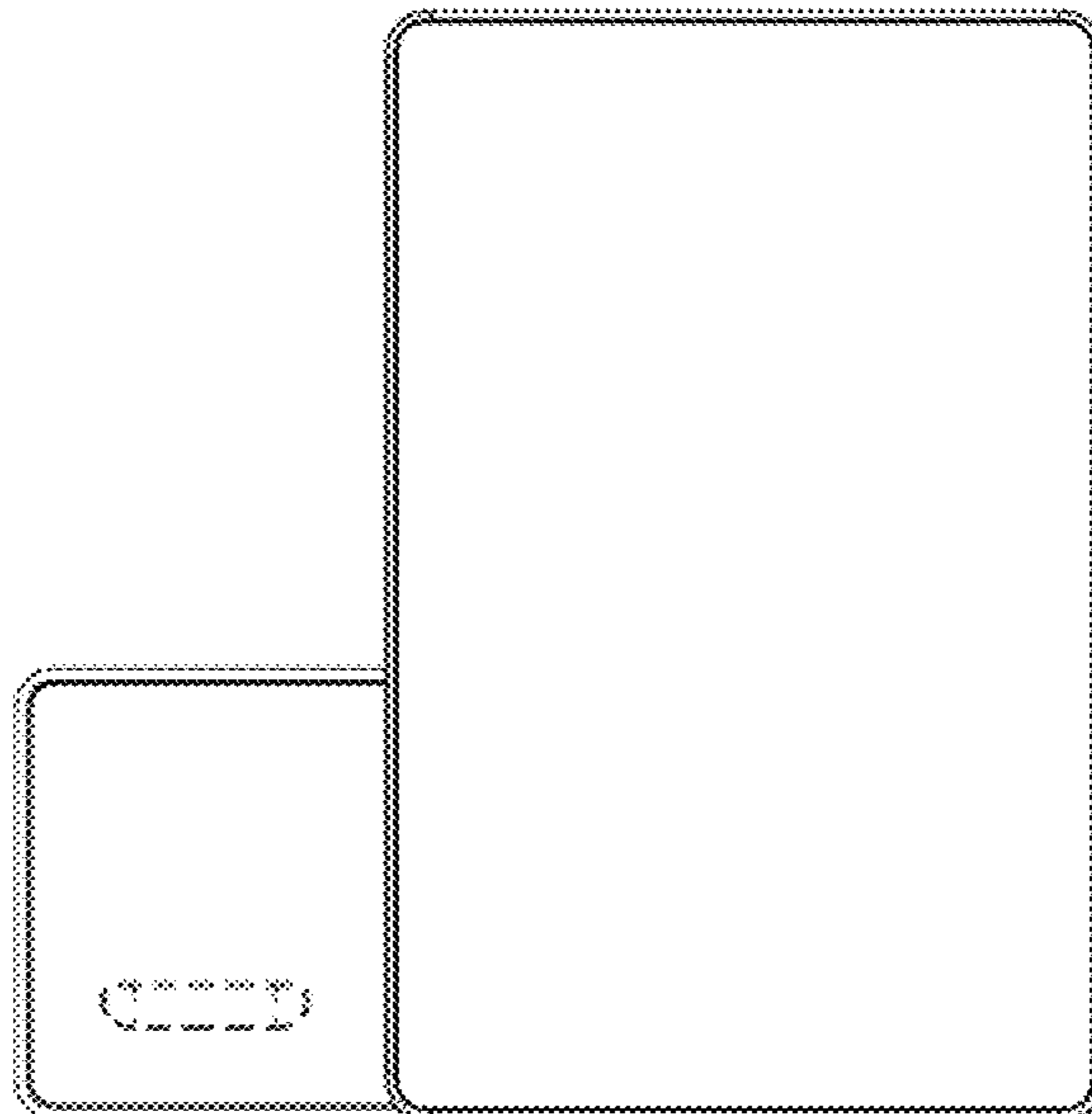
FIG. 4 is a right side elevational view thereof.

FIG. 5 is a top plan view thereof; and,

FIG. 6 is a bottom plan view thereof.

The broken lines shown illustrate portions of the video phone that form no part of the claimed design.

**1 Claim, 6 Drawing Sheets**



(56)

**References Cited**

U.S. PATENT DOCUMENTS

D739,366 S	*	9/2015	Schott .....	D14/130
D758,984 S	*	6/2016	Maxwell .....	D14/130
D772,836 S	*	11/2016	Engelke .....	D14/151
D792,362 S	*	7/2017	Maxwell .....	D14/130
D810,816 S	*	2/2018	Chen .....	D18/4.4

\* cited by examiner

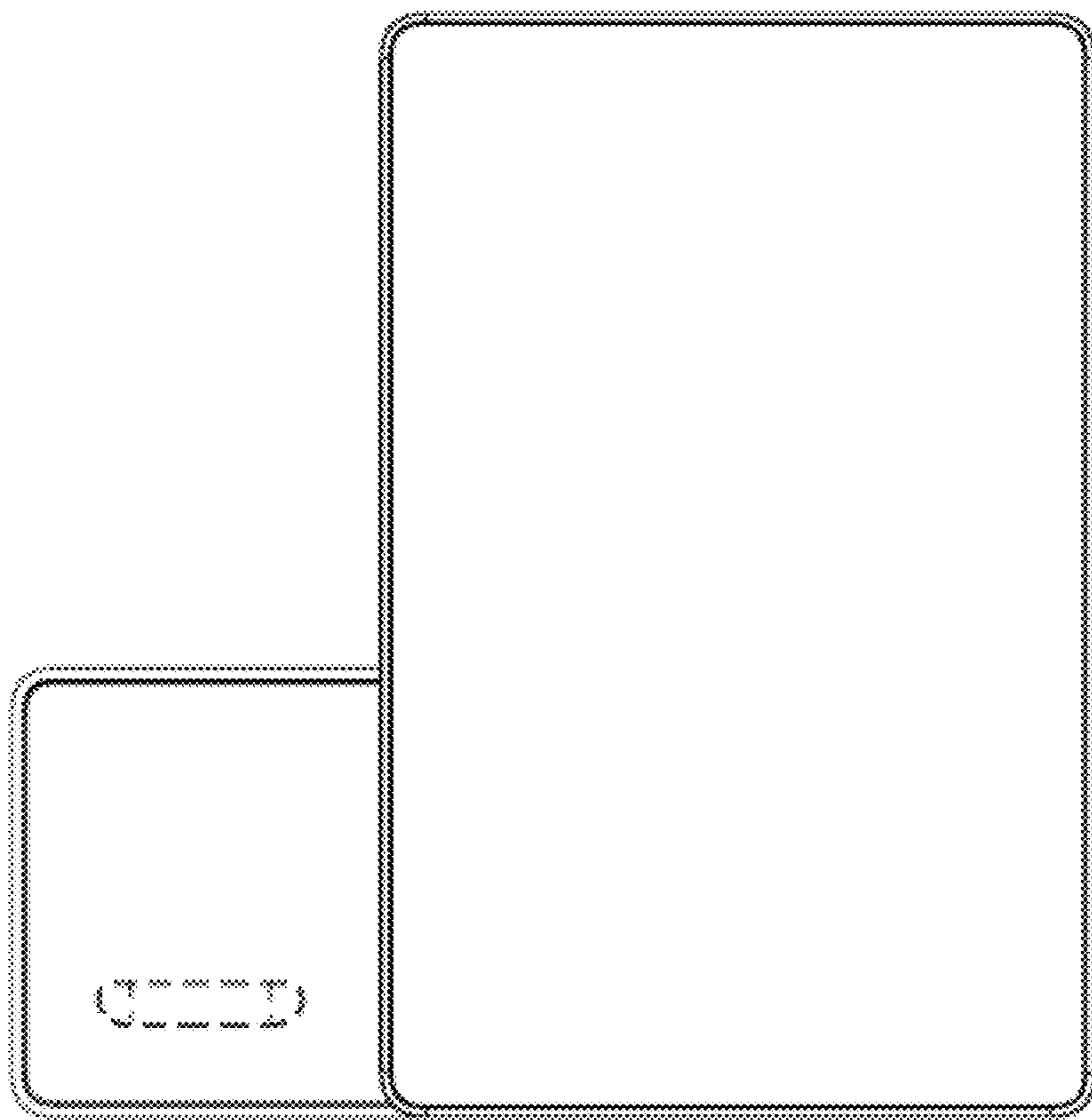


FIG. 1

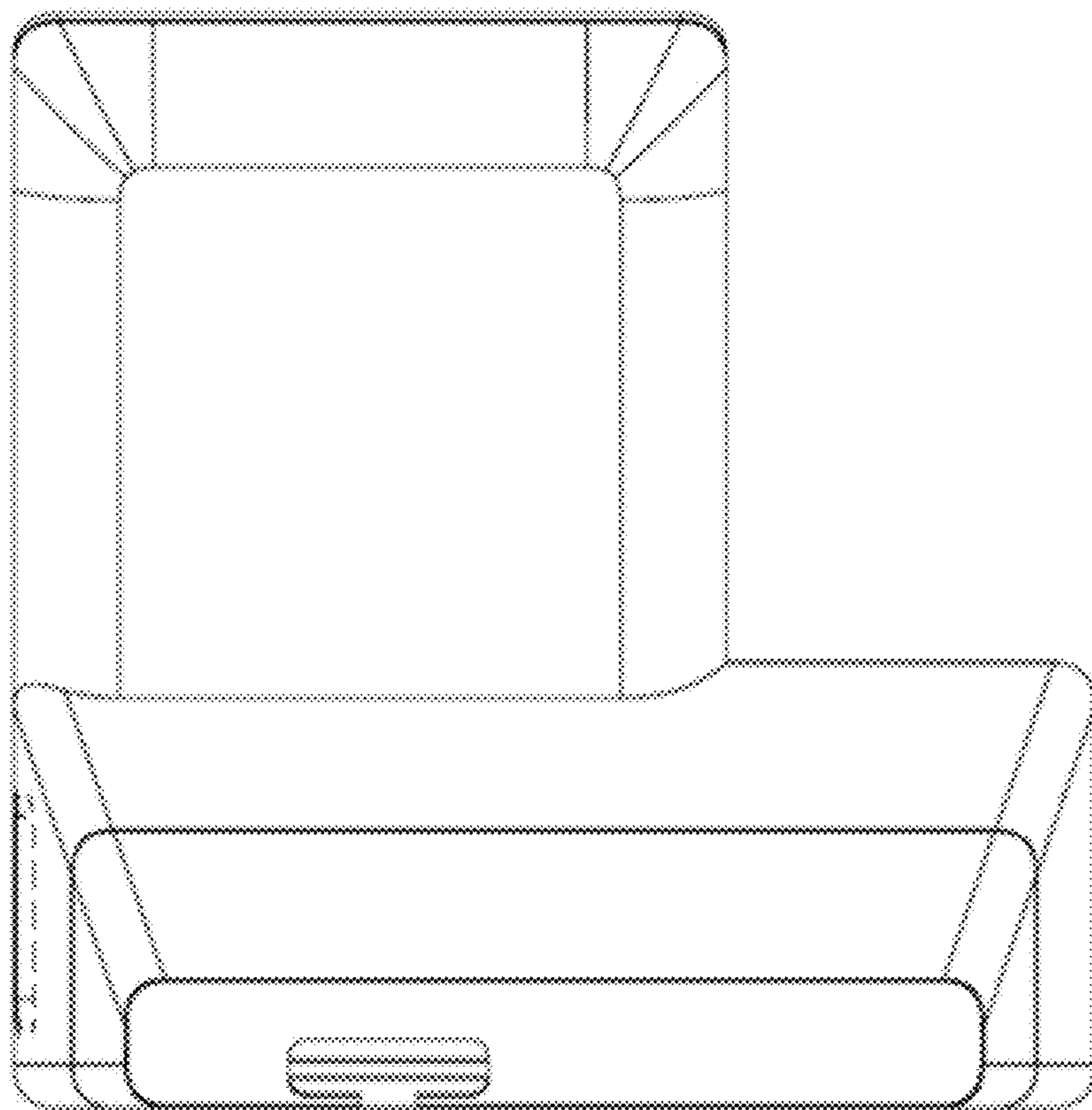


FIG. 2

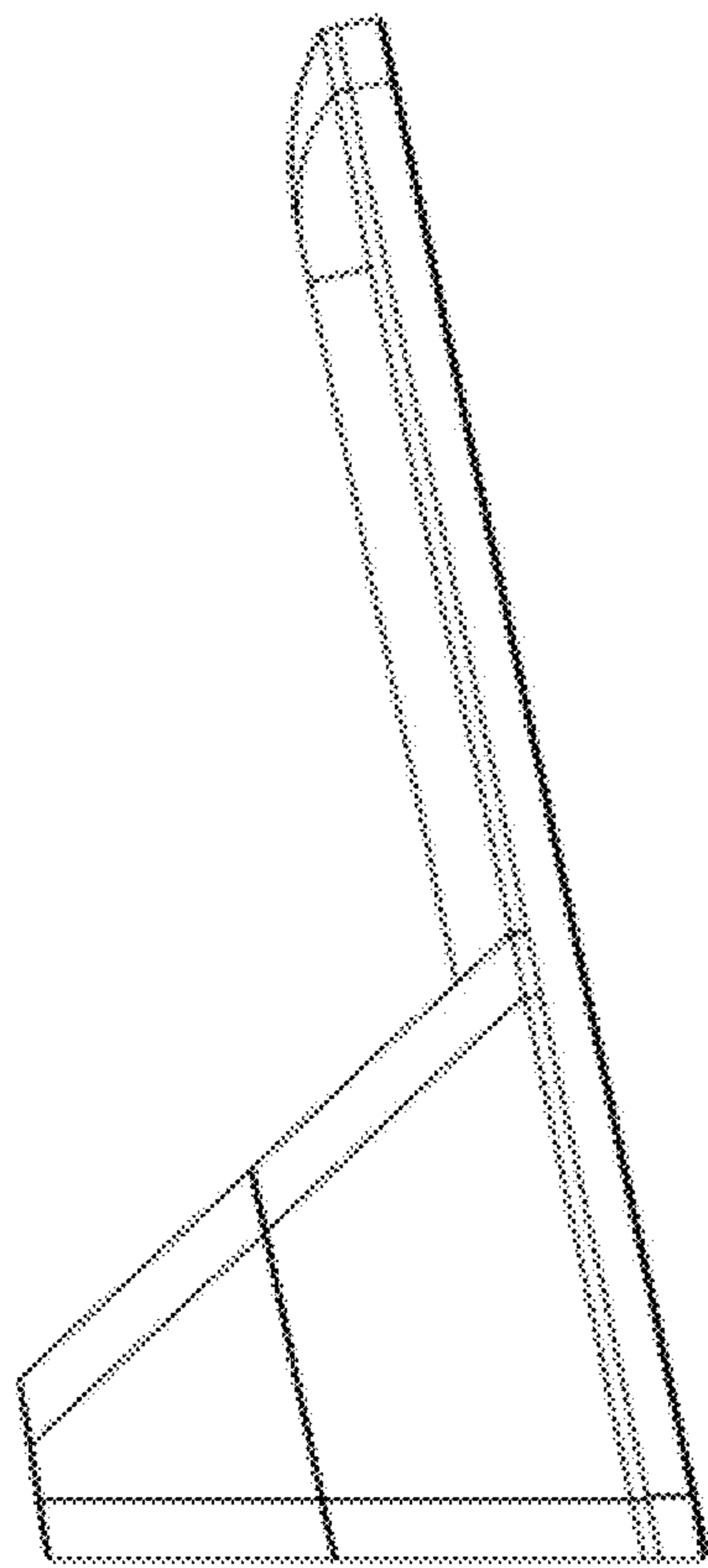


FIG. 3

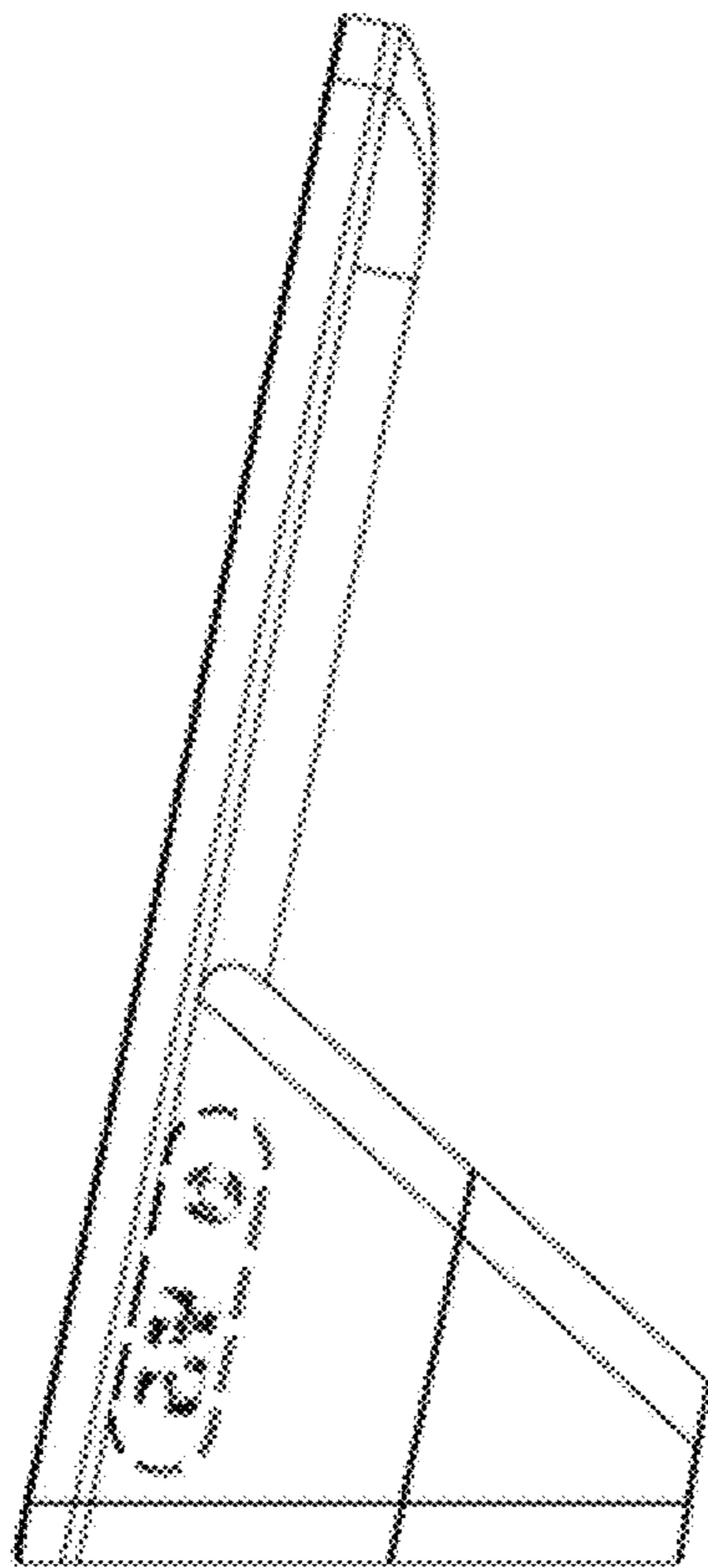


FIG. 4

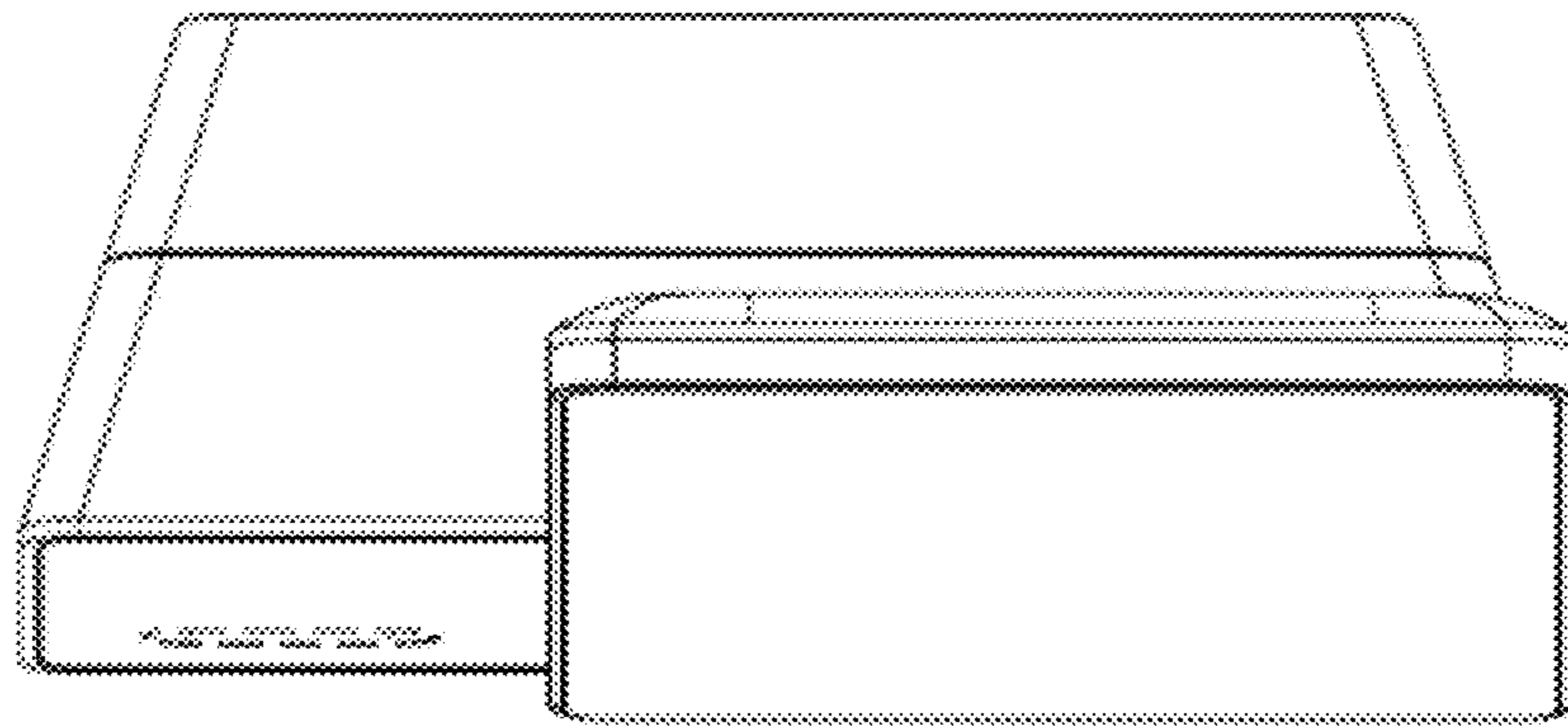


FIG. 5

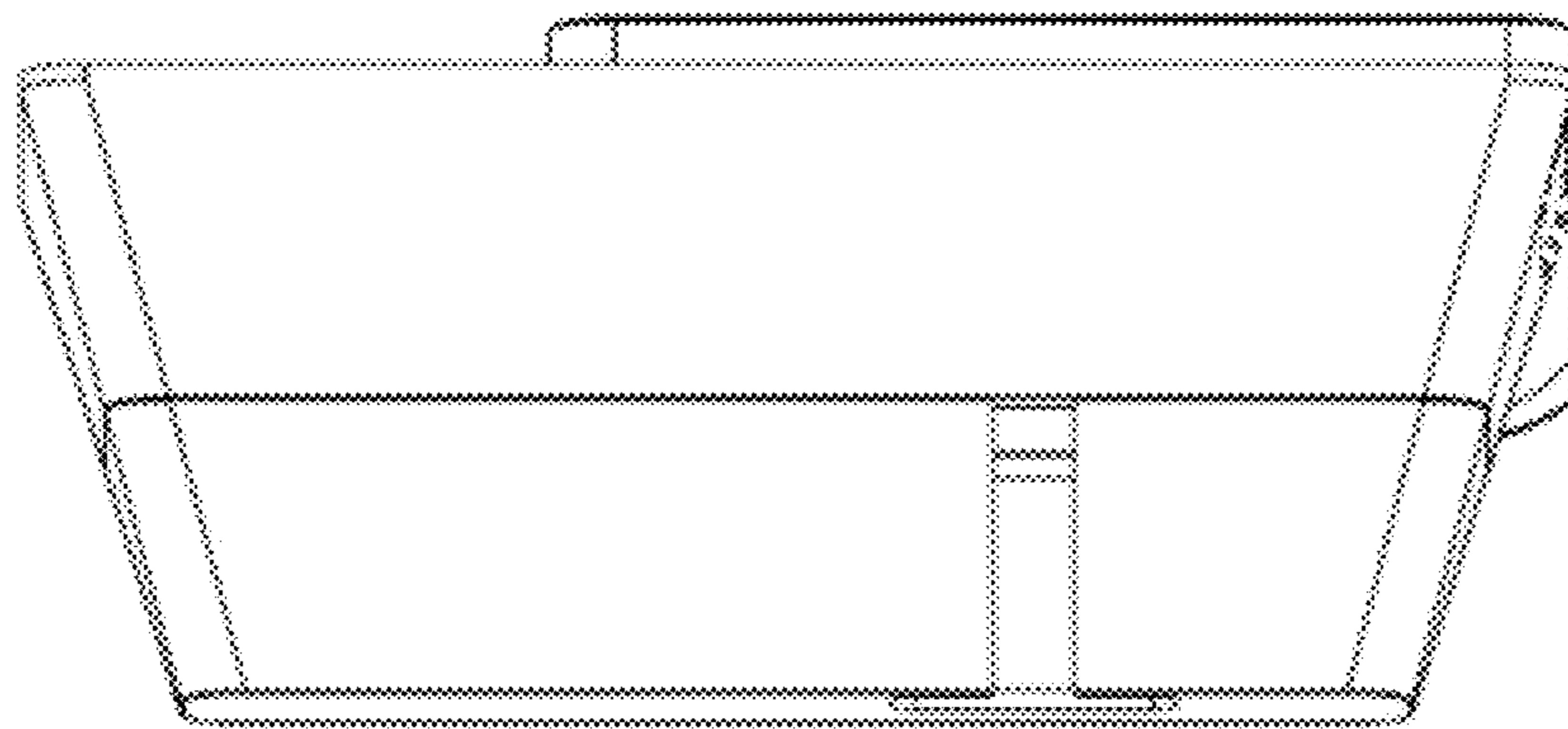


FIG. 6