



US00D938376S

(12) **United States Design Patent**
Gaytandjiev

(10) **Patent No.:** **US D938,376 S**
(45) **Date of Patent:** **** Dec. 14, 2021**

(54) **TELEVISION RECEIVER**

(71) Applicant: **SAMSUNG ELECTRONICS CO., LTD.**, Suwon-si (KR)

(72) Inventor: **Nikola Jivko Gaytandjiev**, Suwon-si (KR)

(73) Assignee: **SAMSUNG ELECTRONICS CO., LTD.**, Gyeonggi-Do (KR)

(**) Term: **15 Years**

(21) Appl. No.: **29/711,746**

(22) Filed: **Nov. 1, 2019**

(30) **Foreign Application Priority Data**

May 2, 2019 (KR) 30-2019-0020832

(51) **LOC (13) Cl.** **14-03**

(52) **U.S. Cl.**
USPC **D14/126**

(58) **Field of Classification Search**

USPC D14/125-134, 136, 239, 305, 307, D14/314-316, 335, 336, 340, 371-377, D14/448-451; D20/10, 17, 18, 19, 21, D20/27, 39, 41, 42, 99; D21/329, 332, D21/51; D6/308, 309, 553, 574
CPC G02B 6/0068; G06F 1/16; G06F 1/1601; G06F 1/1637; G06F 1/1643; H04N 5/64; H04N 5/66; H04N 5/655; H04N 7/00; H04N 9/3141; H04N 13/0459; H04N 17/04; H04N 17/004; H04N 21/43637; H05K 5/0204; H05K 5/0004; H05K 5/0017; H05K 5/0217; H05K 5/02; F16M 11/10; A47B 57/20; A47B 81/06; A47B 47/042

See application file for complete search history.

(56) **References Cited**

U.S. PATENT DOCUMENTS

D584,707 S * 1/2009 Rieu Piquet D14/129
D635,804 S * 4/2011 North D6/574

D641,721 S 7/2011 Moscovitch et al.
8,418,861 B1 * 4/2013 Weaver A47B 57/20
211/90.02
8,517,189 B2 * 8/2013 Donohoe A47B 47/042
211/90.04

D710,847 S 8/2014 Ozolins et al.
D715,799 S 10/2014 Ozolins et al.

(Continued)

FOREIGN PATENT DOCUMENTS

KR DM/094406 1/2017

Primary Examiner — Ramzi Almatrahi

Assistant Examiner — Charles Cunningham

(74) *Attorney, Agent, or Firm* — Cantor Colburn LLP

(57) **CLAIM**

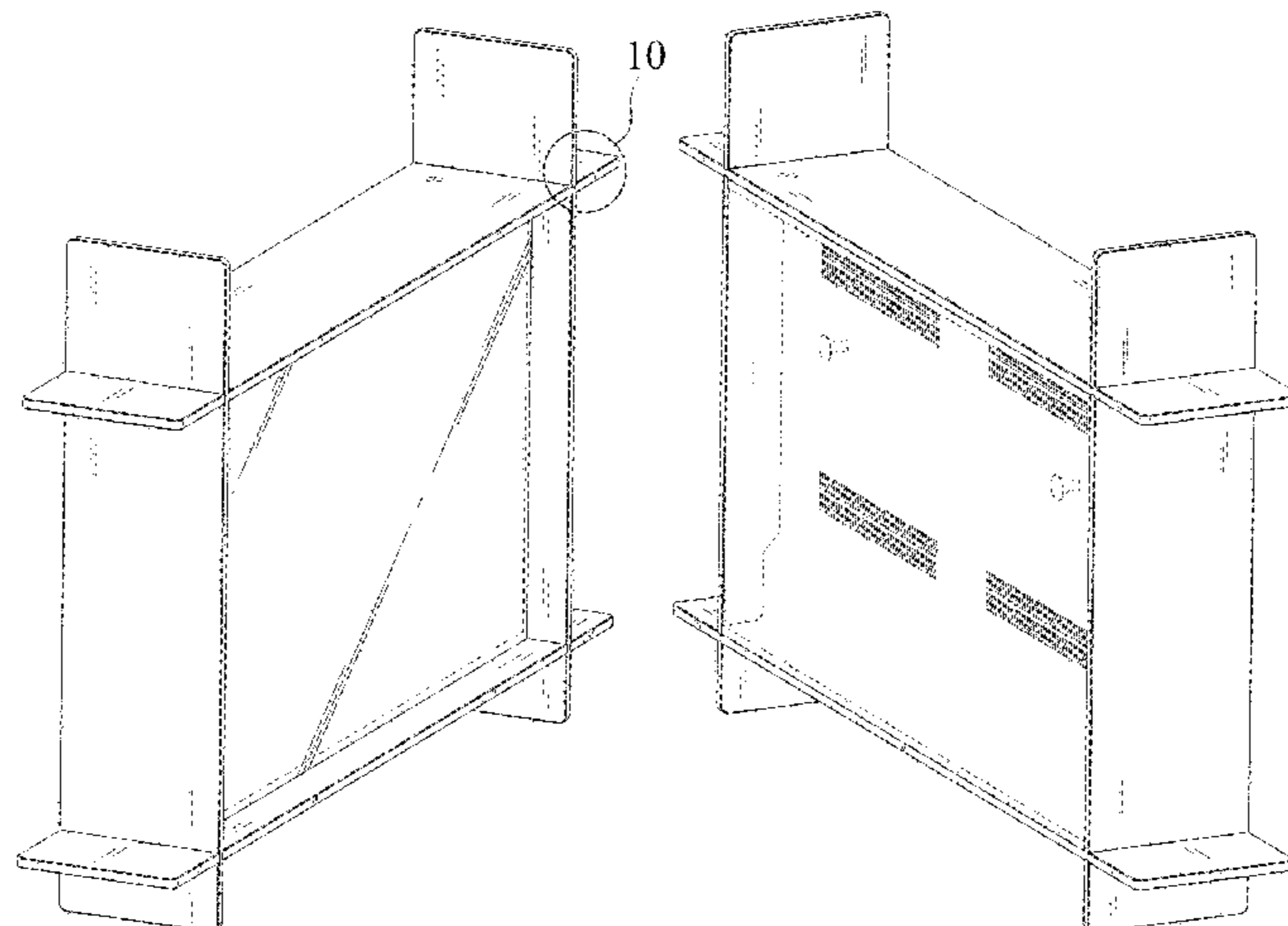
The ornamental design for a television receiver, as shown and described.

DESCRIPTION

FIG. 1 is a front perspective view of a television receiver, showing my new design;
FIG. 2 is a front elevation view thereof;
FIG. 3 is a rear elevation view thereof;
FIG. 4 is a left-side elevation view thereof;
FIG. 5 is a right-side elevation view thereof;
FIG. 6 is a top plan view thereof;
FIG. 7 is a bottom plan view thereof;
FIG. 8 is a rear perspective view thereof;
FIG. 9 is an exploded front perspective view thereof;
FIG. 10 is an enlarged view of the encircled portion 10 in FIG. 1; and,
FIG. 11 is an enlarged view of the encircled portion 11 in FIG. 2.

The even-dash broken lines illustrating portions of the television receiver form no part of the claimed design. The dot-dash broken lines encircling enlargement portions of the television receiver form no part of the claimed design.

1 Claim, 11 Drawing Sheets



(56)

References Cited

U.S. PATENT DOCUMENTS

8,910,580	B1 *	12/2014	Cockrell	A47B 81/06 108/50.02
D733,158	S *	6/2015	Kardach	D14/448
D745,291	S *	12/2015	Reviel	D6/553
D757,671	S *	5/2016	Bouroullec	D14/126
D758,094	S *	6/2016	Reviel	D6/553
D786,209	S *	5/2017	Park	D14/126
D793,401	S *	8/2017	Reviel	D14/449
D824,868	S	8/2018	Chong et al.		
D848,759	S *	5/2019	Kim	D6/553
2012/0255919	A1 *	10/2012	Jones	F16M 11/10 211/26

* cited by examiner

FIG. 1

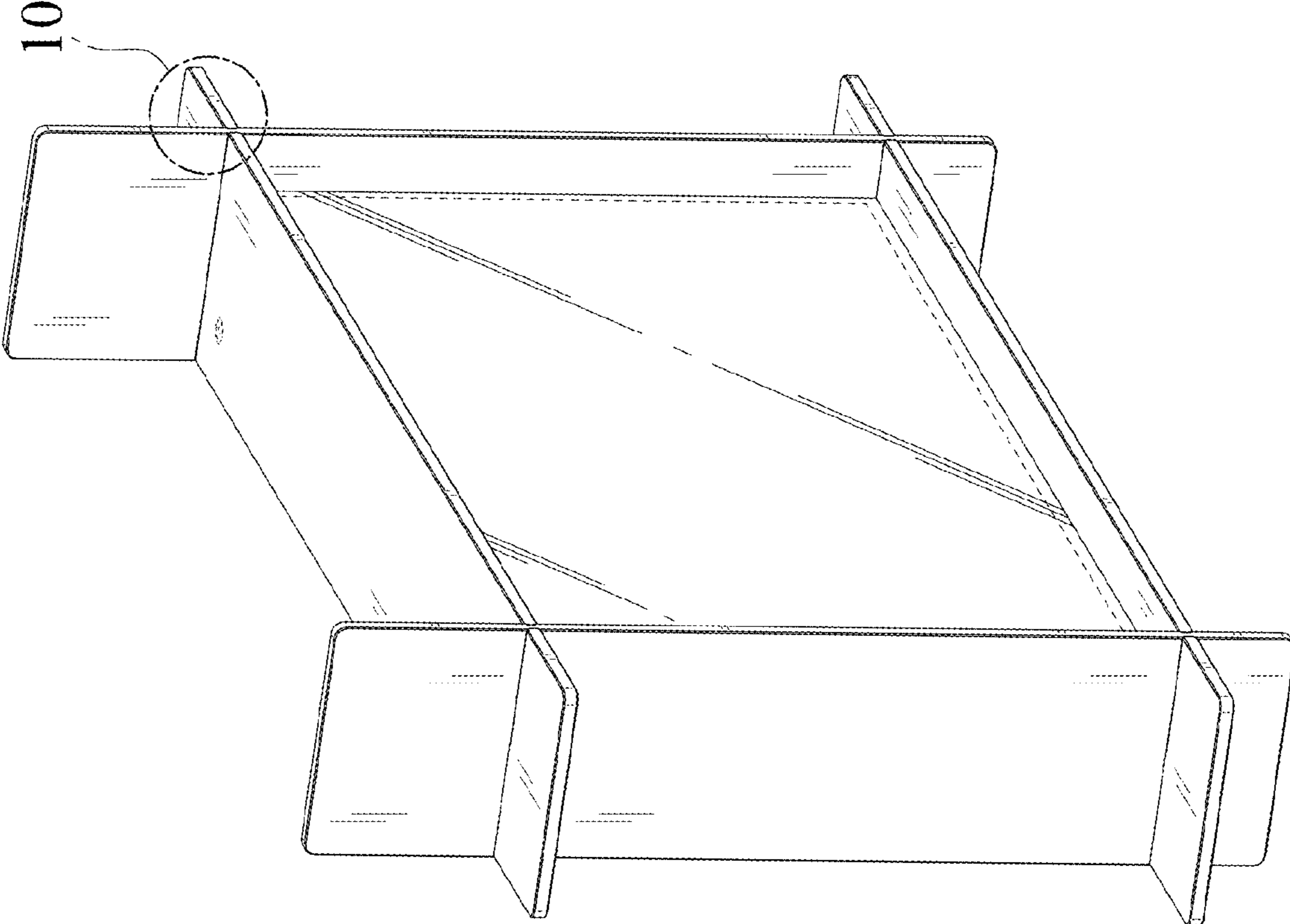


FIG. 2

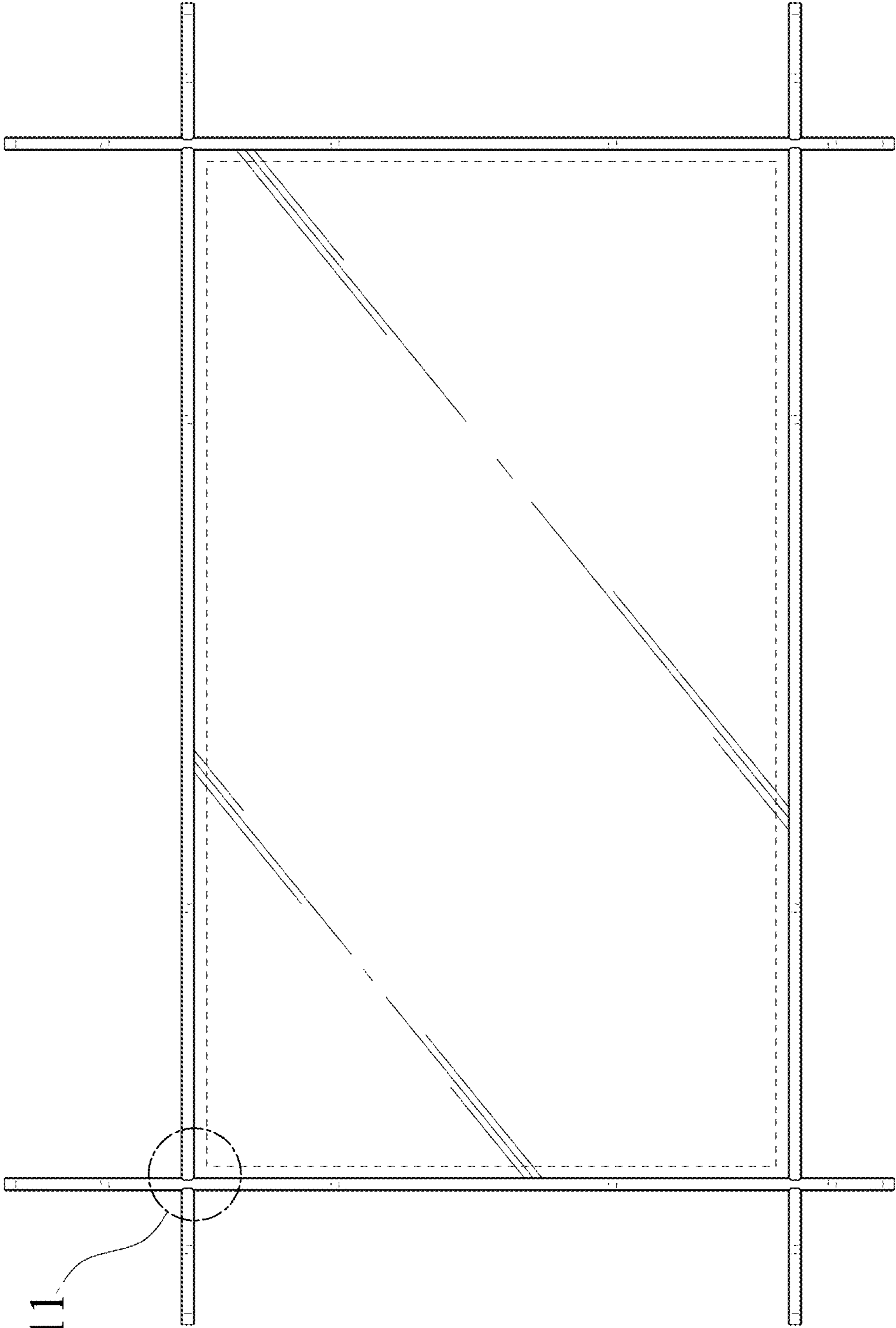


FIG. 3

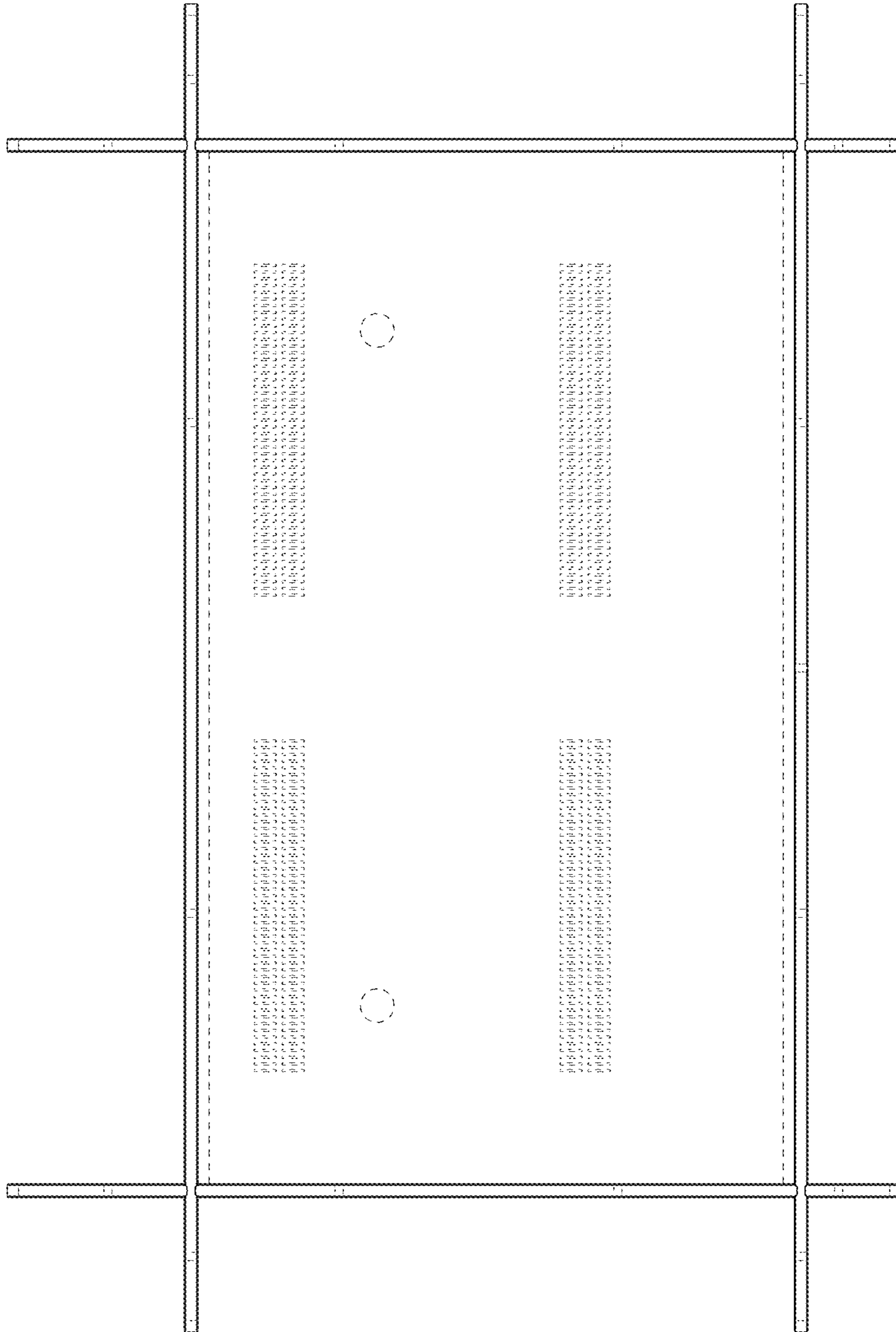


FIG. 4



FIG. 5



FIG. 6

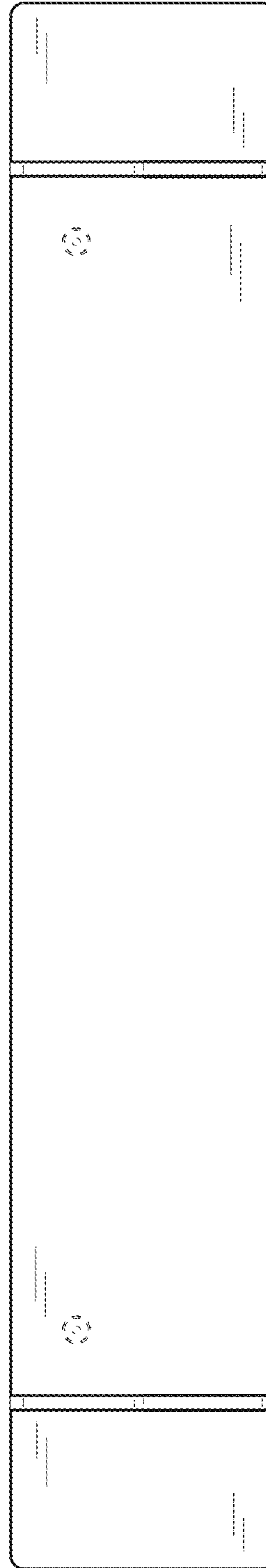


FIG. 7

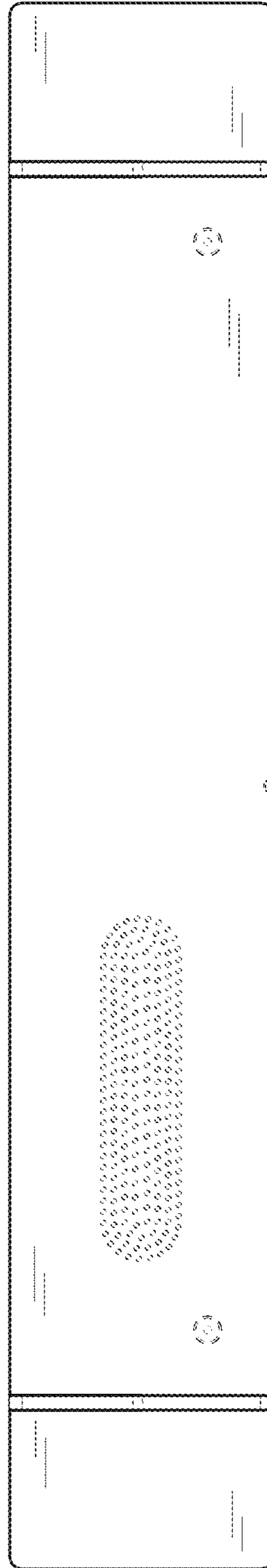


FIG. 8

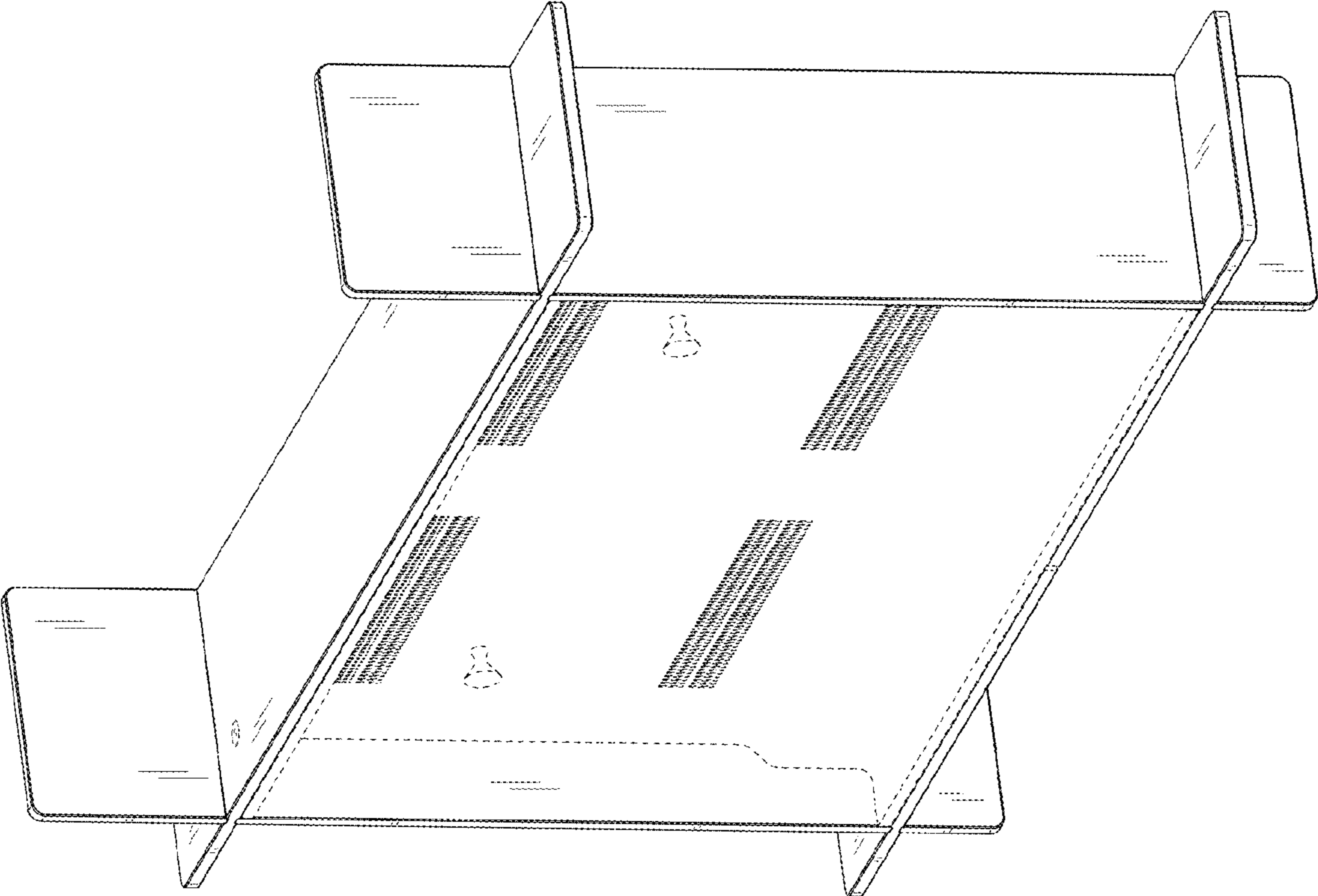


FIG. 9

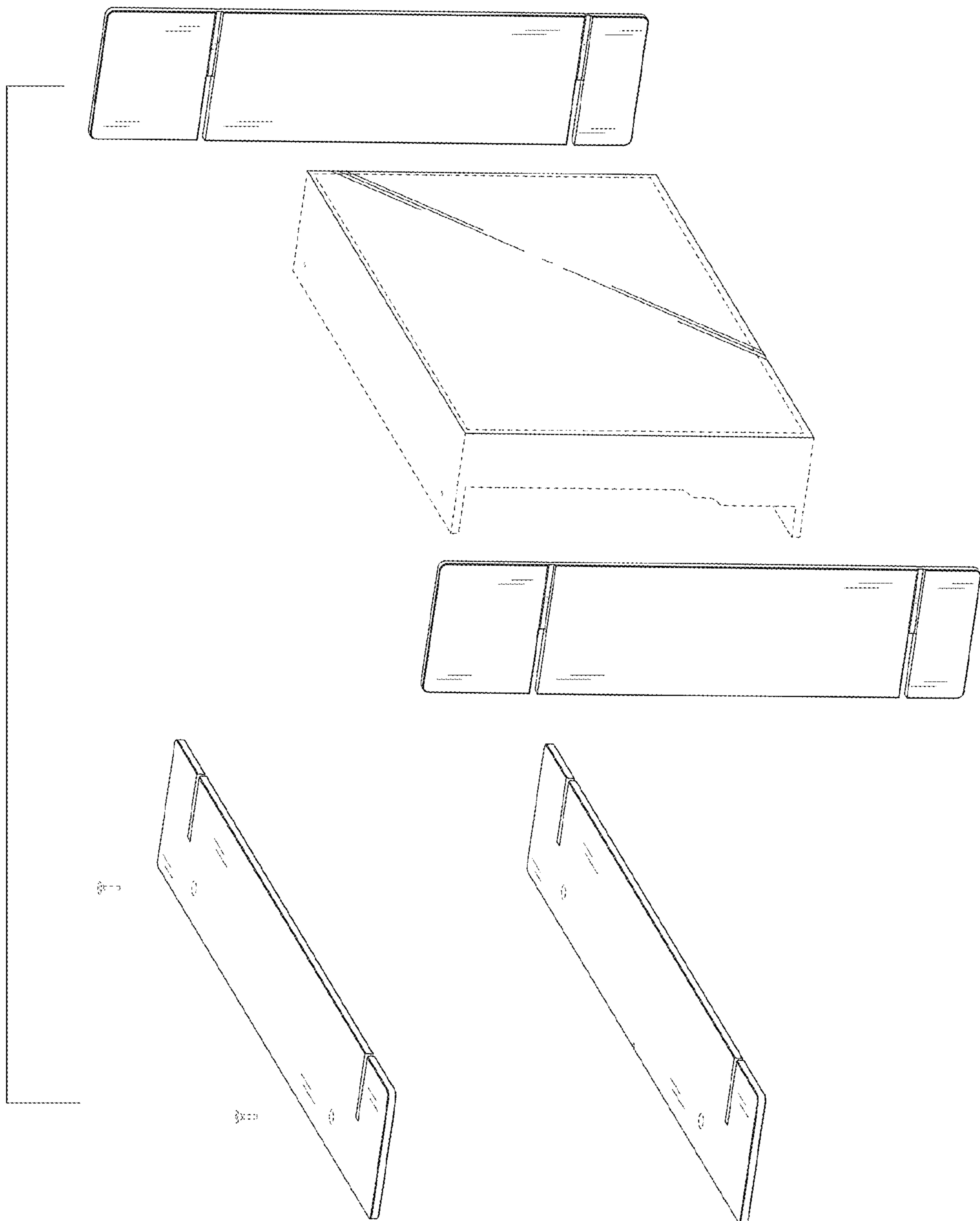


FIG. 10

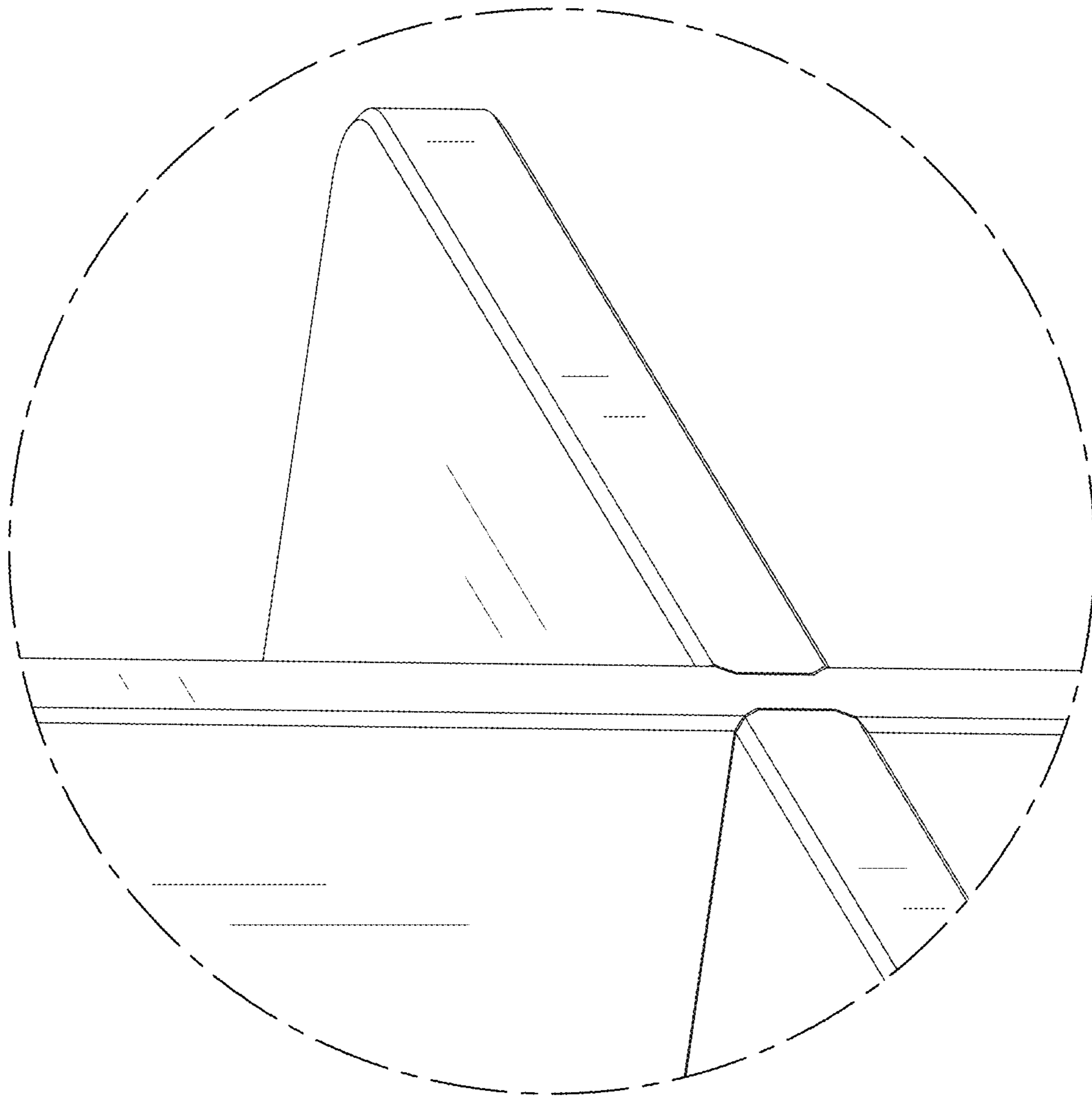


FIG. 11

