



US00D938375S

(12) **United States Design Patent**  
**Zhang et al.**

(10) **Patent No.:** **US D938,375 S**

(45) **Date of Patent:** **\*\* Dec. 14, 2021**

(54) **VIRTUAL HOLOGRAPHIC DISPLAY  
DEVICE**

(71) Applicant: **ShenZhen GIWOX Technology Co.,  
Ltd., Shenzhen (CN)**

(72) Inventors: **Yiwan Zhang, Nanyang (CN);  
Jingdong Yan, Haikou (CN)**

(\*\*) Term: **15 Years**

(21) Appl. No.: **29/752,374**

(22) Filed: **Sep. 27, 2020**

(51) **LOC (13) Cl.** ..... **14-03**

(52) **U.S. Cl.**  
USPC ..... **D14/125**

(58) **Field of Classification Search**  
USPC ..... D14/125–135, 137, 160, 188,  
D14/203.1–203.8, 204, 216, 224.1, 225,  
D14/228, 232, 357–358, 432, 439, 496;  
D16/202, 221; D11/117, 121, 152  
CPC .. G06F 1/1639; H04N 5/7408; H04N 5/7475;  
H04N 5/7491; H04N 9/31; H04N 9/3141  
See application file for complete search history.

(56) **References Cited**

**U.S. PATENT DOCUMENTS**

3,123,514 A \* 3/1964 Molinaro ..... A47G 33/10  
428/11  
D207,843 S \* 6/1967 Scott, Jr. et al. .... D24/232  
3,983,658 A \* 10/1976 de Sanz ..... A63H 37/00  
446/5  
D297,328 S \* 8/1988 Nozo ..... D14/358  
D382,824 S \* 8/1997 Motruk ..... D10/106.4  
D491,484 S \* 6/2004 Tyler ..... D11/121  
D505,050 S \* 5/2005 Johnson ..... D7/604  
7,018,053 B2 \* 3/2006 Dwyer ..... H04N 9/3141  
348/E5.143  
D552,054 S \* 10/2007 Pena Angarita ..... D14/496  
D595,182 S \* 6/2009 Ramjohn ..... D11/117  
D608,059 S \* 1/2010 McNaughton ..... D30/111  
D612,361 S \* 3/2010 Wright ..... D14/203.2

D613,103 S \* 4/2010 Misir ..... D6/542  
D696,298 S \* 12/2013 Britt, Jr ..... D14/496  
D696,491 S \* 12/2013 Wilson ..... D2/870  
D713,265 S \* 9/2014 Cooper ..... D9/721  
D717,357 S \* 11/2014 Nakanishi ..... D16/225  
D726,157 S \* 4/2015 Chang ..... D14/216  
D729,489 S \* 5/2015 Bell ..... D99/5

(Continued)

**FOREIGN PATENT DOCUMENTS**

EM 008188262-0001 \* 10/2020  
GB 9008188262-0001 \* 9/2020

**OTHER PUBLICATIONS**

GIWOX 3D Hologram Christmas Decoration, date not available,  
[retrieved Feb. 26, 2021], Retrieved from Internet, URL: <<https://www.xblade3d.com/product-page/giwox-3d-hologram-christmas-decoration>> (Year: 2021).\*

(Continued)

*Primary Examiner* — Barbara Fox  
*Assistant Examiner* — Aram Kwon

(74) *Attorney, Agent, or Firm* — Rumit Ranjit Kanakia

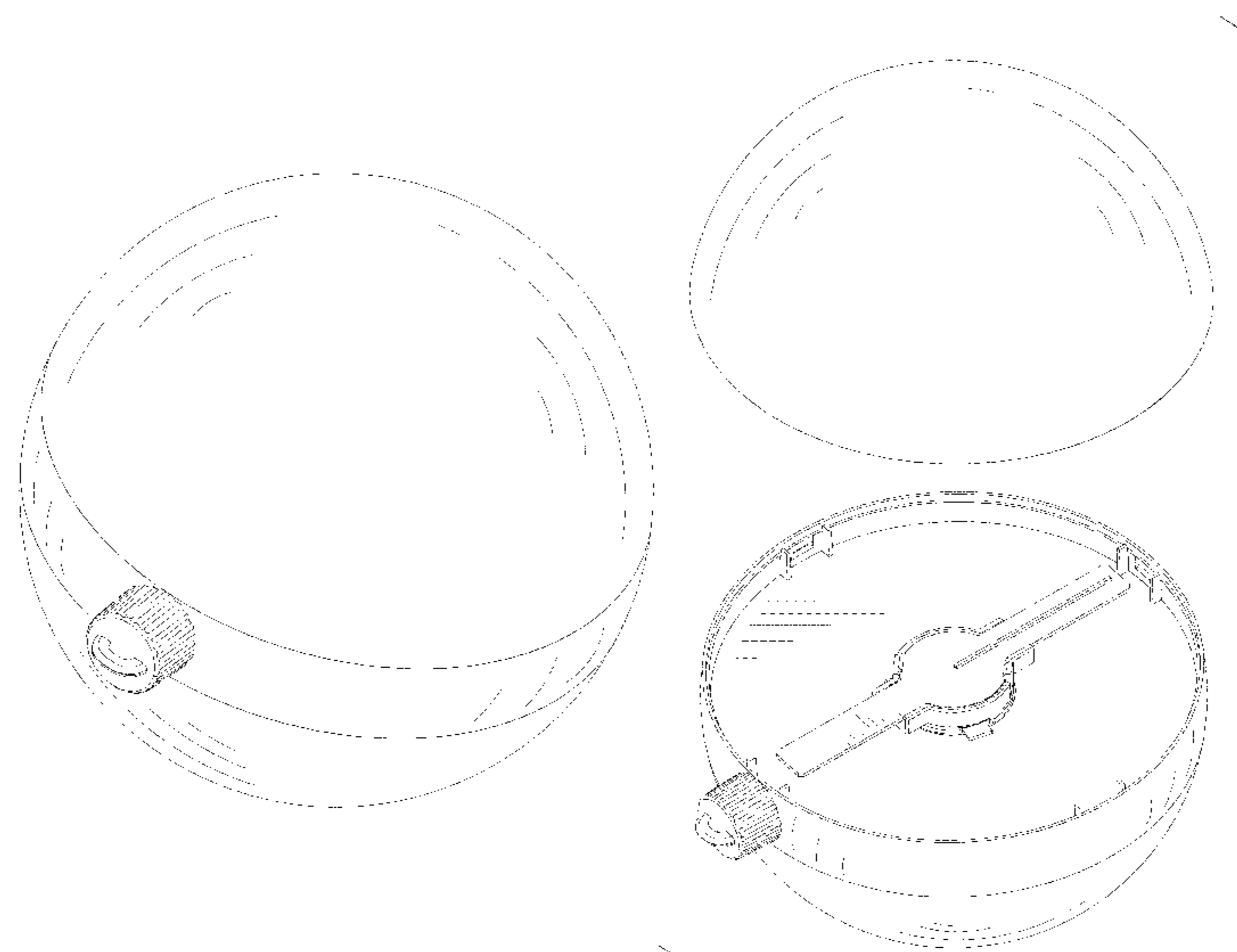
(57) **CLAIM**

The ornamental design for a virtual holographic display device, as shown and described.

**DESCRIPTION**

FIG. 1 is a perspective view of a virtual holographic display device showing our new design.  
FIG. 2 is a front elevational view thereof;  
FIG. 3 is a rear elevational view thereof;  
FIG. 4 is a right side elevational view thereof;  
FIG. 5 is a left side elevational view thereof;  
FIG. 6 is a top plan view thereof;  
FIG. 7 is a bottom view thereof; and,  
FIG. 8 is an exploded perspective view thereof.

**1 Claim, 8 Drawing Sheets**



(56)

References Cited

U.S. PATENT DOCUMENTS

D732,341 S \* 6/2015 Matharu ..... D7/510  
 D758,557 S \* 6/2016 Jih ..... D23/355  
 D763,100 S \* 8/2016 Antretter ..... D9/689  
 D767,518 S \* 9/2016 Kim ..... D14/130  
 D768,588 S 10/2016 Adhia et al.  
 D772,828 S \* 11/2016 Kusumoto ..... D14/126  
 D774,013 S \* 12/2016 Kusumoto ..... D14/126  
 D810,166 S \* 2/2018 Lee ..... D15/199  
 D832,326 S \* 10/2018 Lee ..... D15/199  
 D834,000 S \* 11/2018 Paslawski ..... D14/216  
 D846,869 S \* 4/2019 van Langen ..... D3/201  
 D858,860 S \* 9/2019 Lin ..... D26/106  
 D859,335 S 9/2019 D'Ambrosio et al.  
 D859,336 S \* 9/2019 Catania ..... D14/126  
 D859,411 S \* 9/2019 Bidwell ..... D14/420  
 D866,519 S \* 11/2019 Yanjie ..... D14/216  
 D866,553 S \* 11/2019 Miura ..... D14/388  
 D876,984 S \* 3/2020 Richardson ..... D11/130  
 D879,057 S 3/2020 Schmelling  
 D881,886 S \* 4/2020 Bidwell ..... D14/420  
 D882,856 S \* 4/2020 Feng ..... D26/104  
 D884,673 S \* 5/2020 Han ..... D14/216

D885,248 S \* 5/2020 Richardson ..... D11/130  
 D909,993 S \* 2/2021 Han ..... D14/216  
 D910,728 S \* 2/2021 Chung ..... D15/199  
 D910,729 S \* 2/2021 Chung ..... D15/199  
 2005/0088631 A1\* 4/2005 Dwyer ..... H04N 9/3141  
 353/101  
 2006/0081721 A1\* 4/2006 Caserta ..... A61L 9/127  
 239/44  
 2007/0031613 A1\* 2/2007 Foster, II ..... A47G 33/08  
 428/7  
 2008/0160224 A1\* 7/2008 Nakamura ..... A47G 33/0818  
 428/7  
 2012/0003404 A1\* 1/2012 Hamlin ..... A47G 33/10  
 428/19  
 2018/0024561 A1\* 1/2018 Soh ..... G05D 1/0272  
 700/258

OTHER PUBLICATIONS

GIWOX Christmas Ball Ornaments, date first available: Oct. 28, 2020, [retrieved Mar. 13, 2021], Retrieved from Internet, URL: <<https://www.amazon.com/GIWOX-Holographic-Shatterproof-Decorations-Decoration/dp/B08M43RVH4>> (Year: 2020).\*

\* cited by examiner

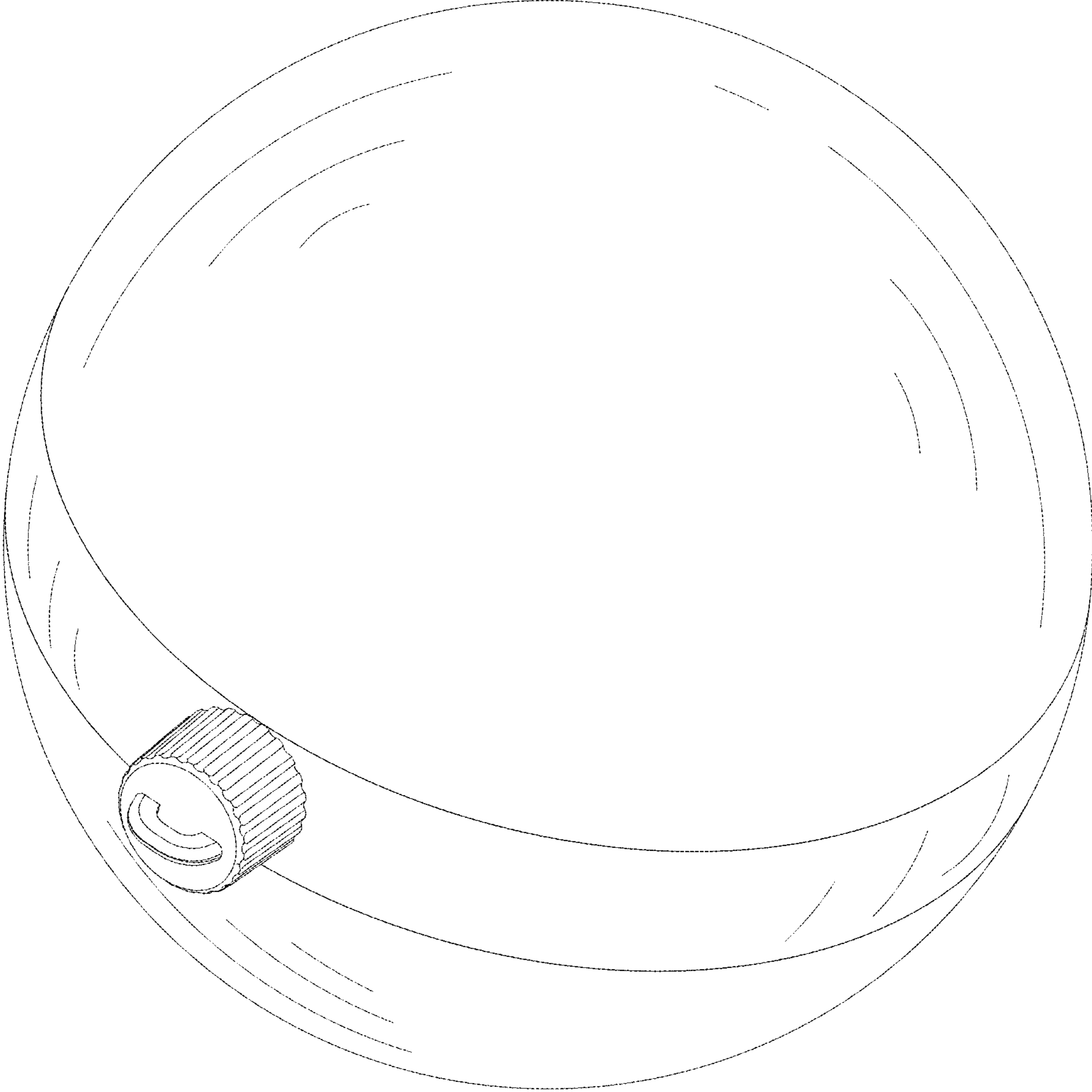


FIG. 1

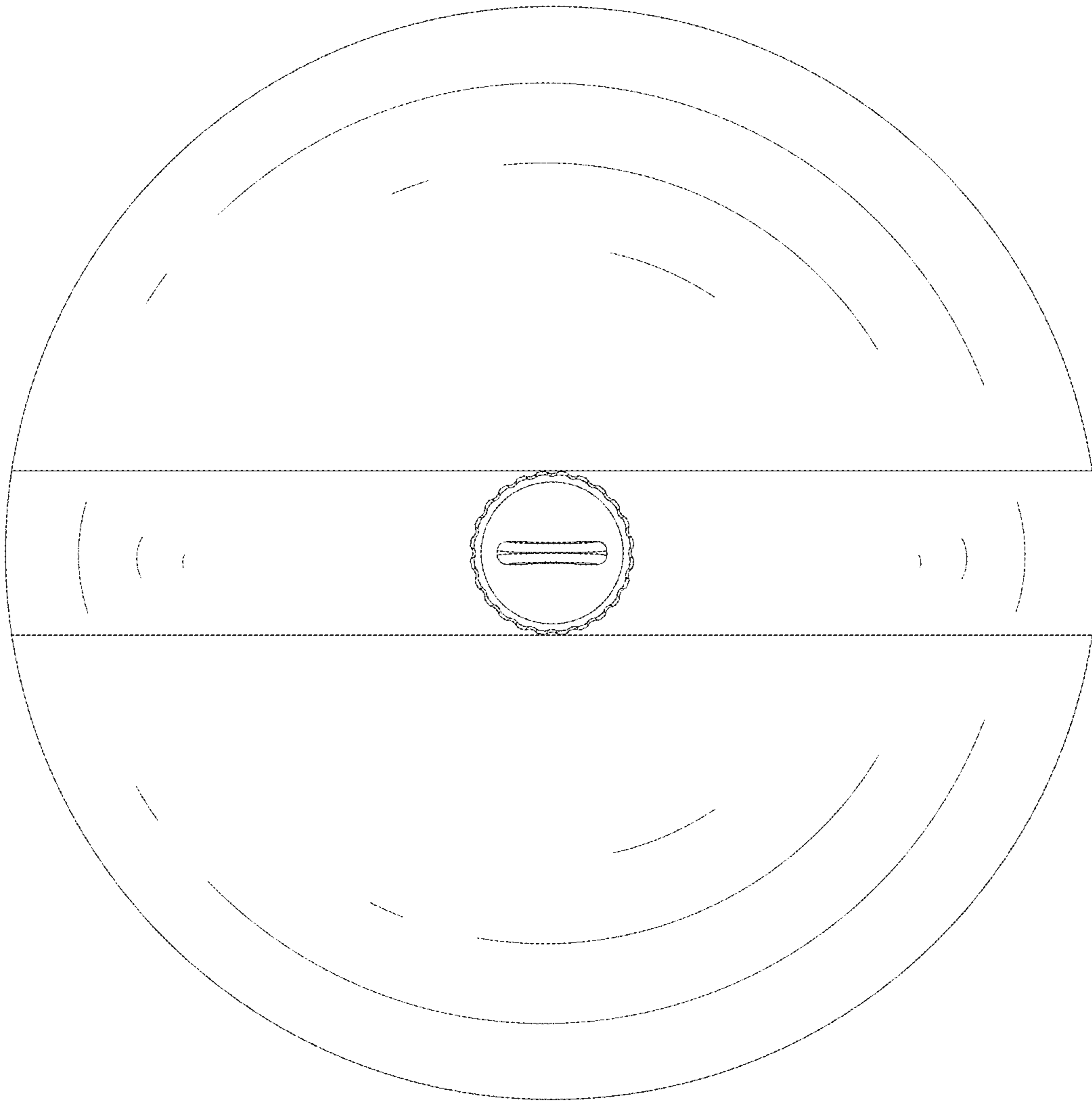


FIG. 2

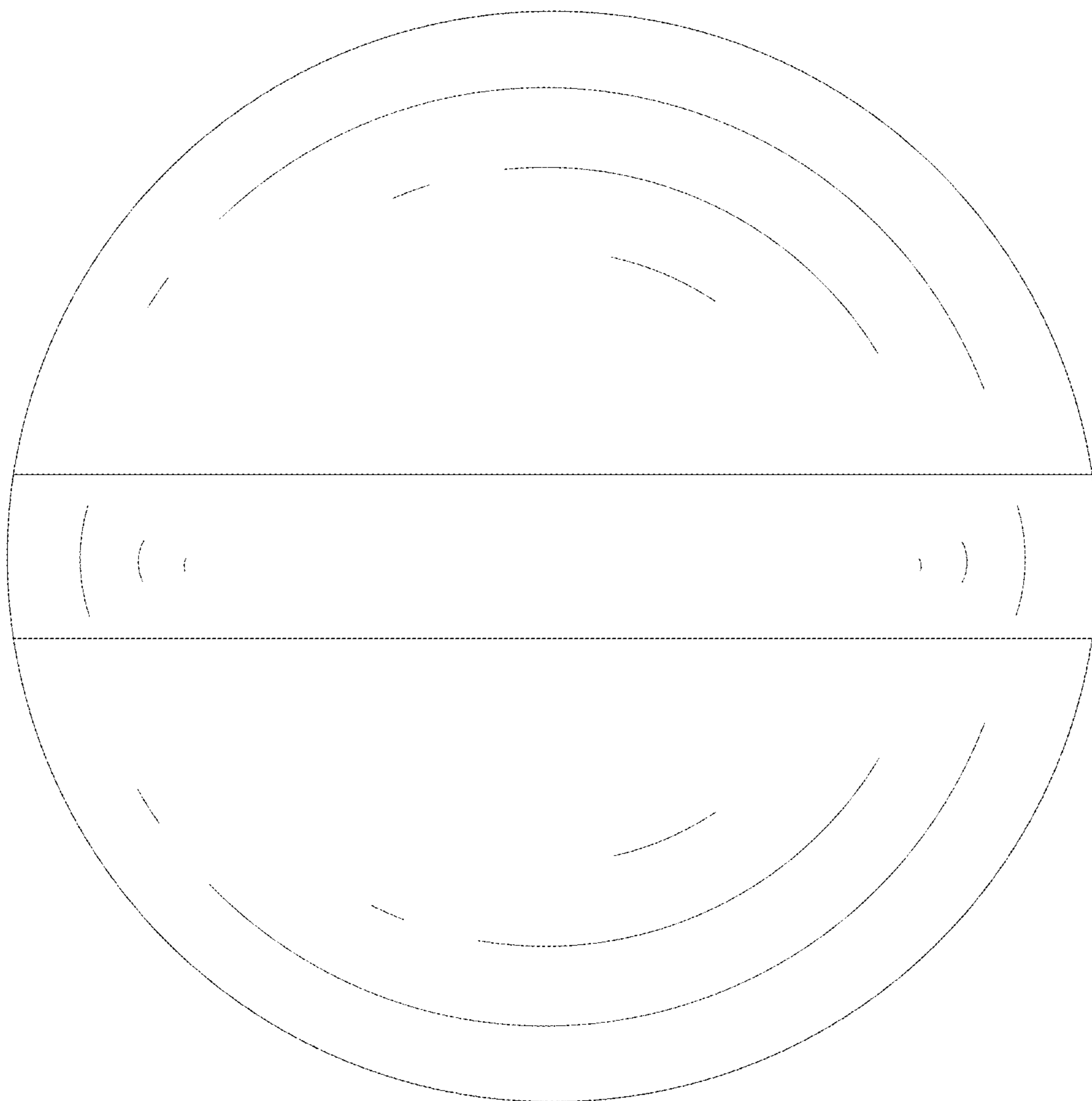


FIG. 3

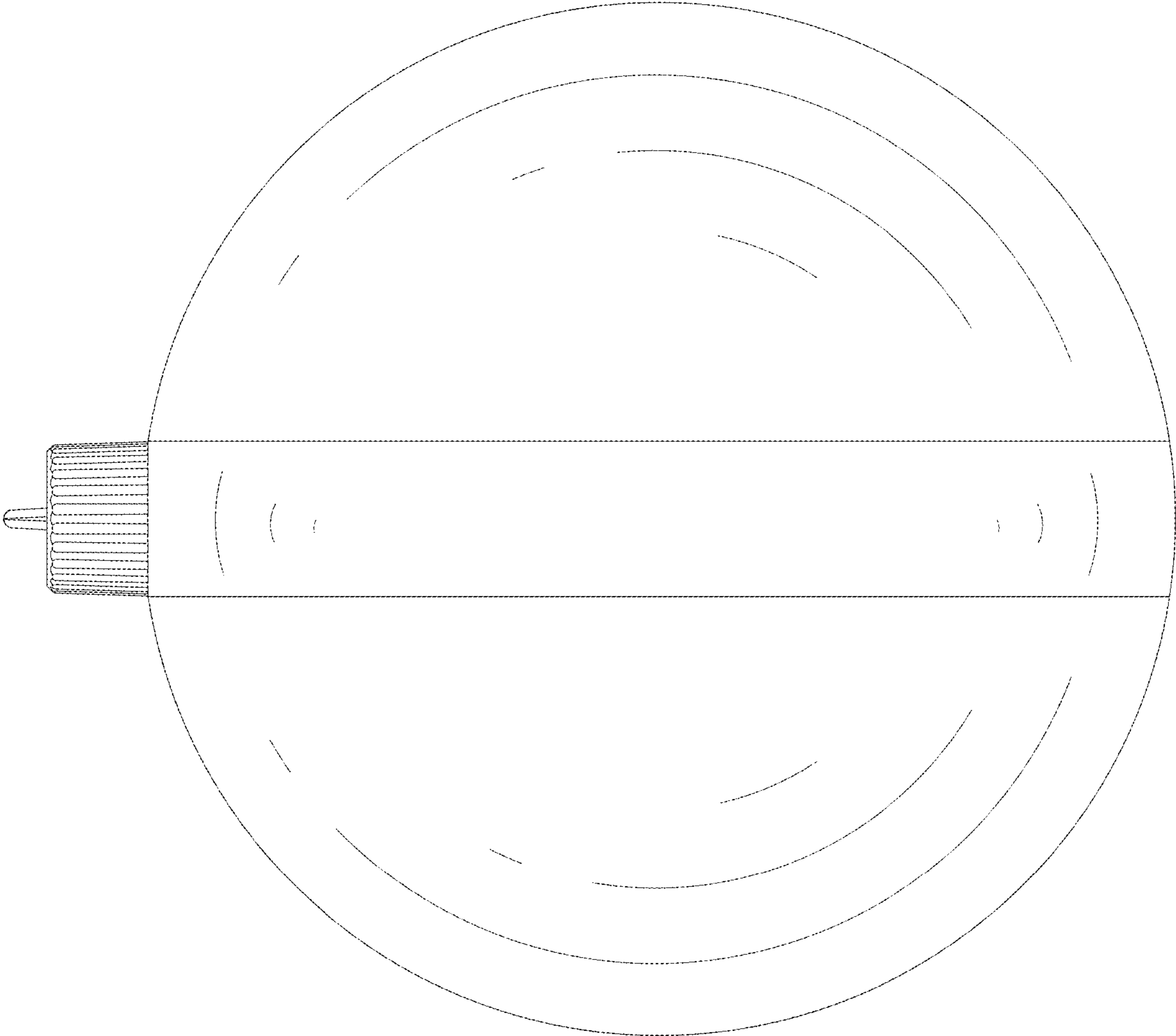


FIG. 4

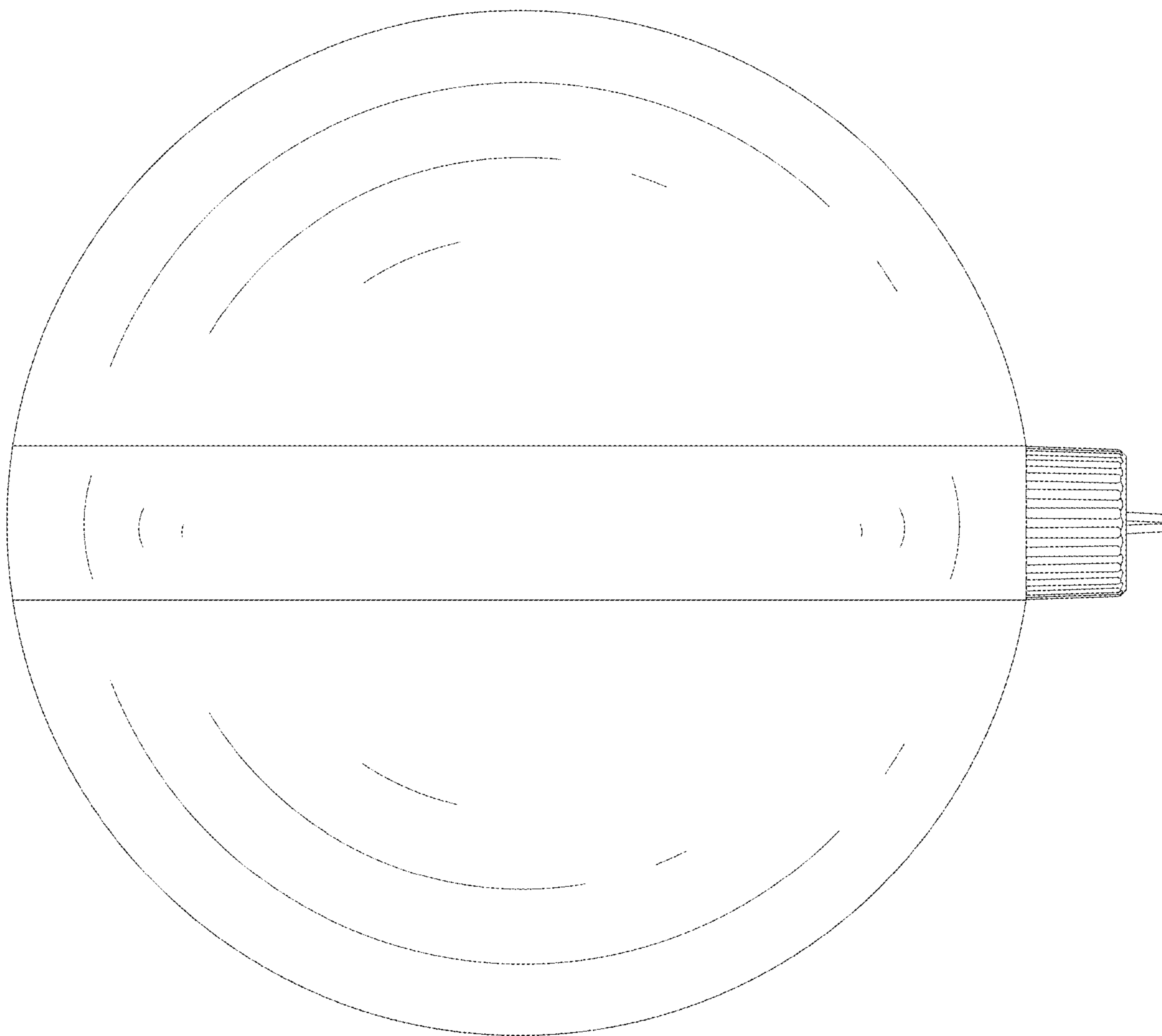


FIG. 5

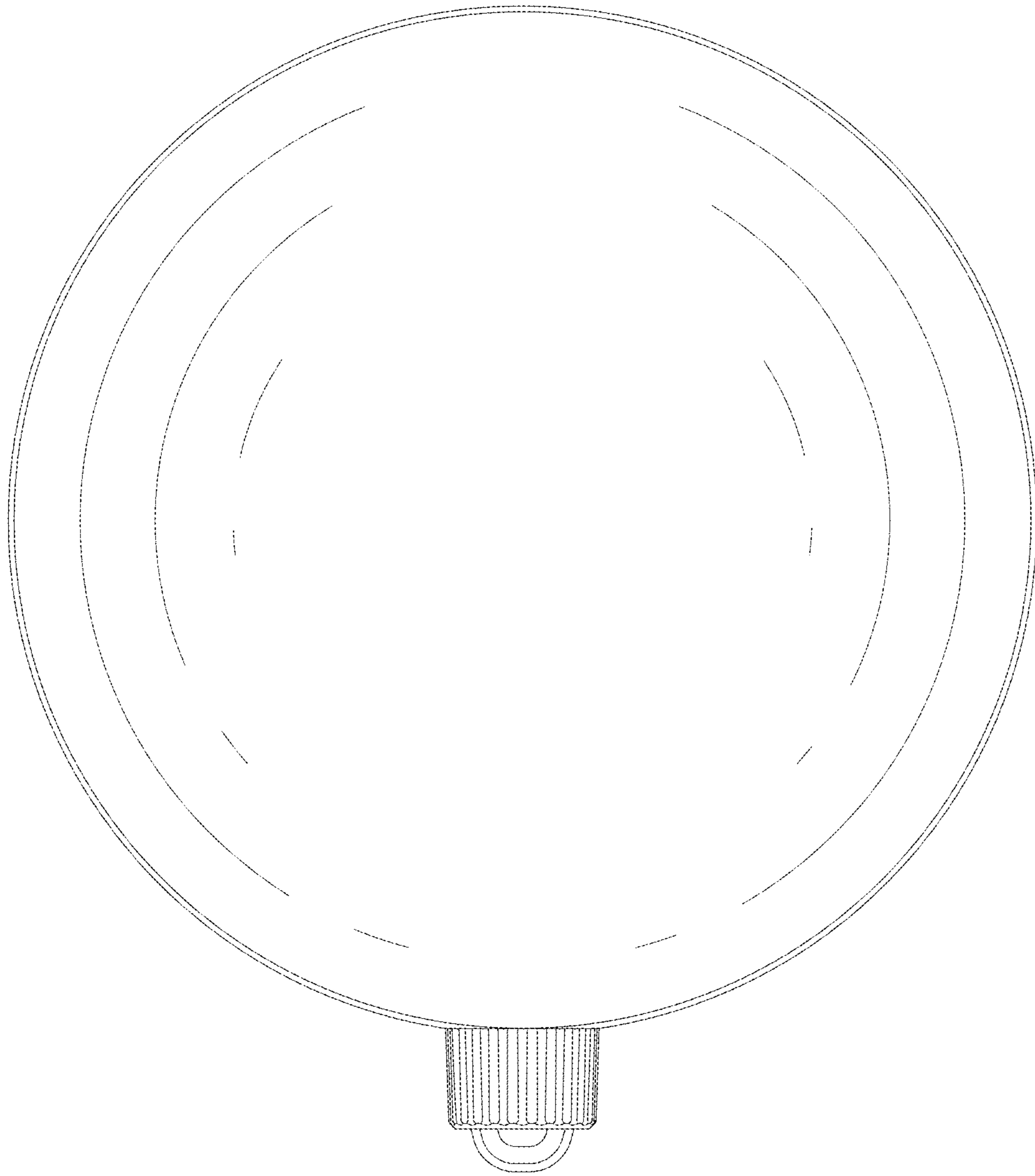


FIG. 6



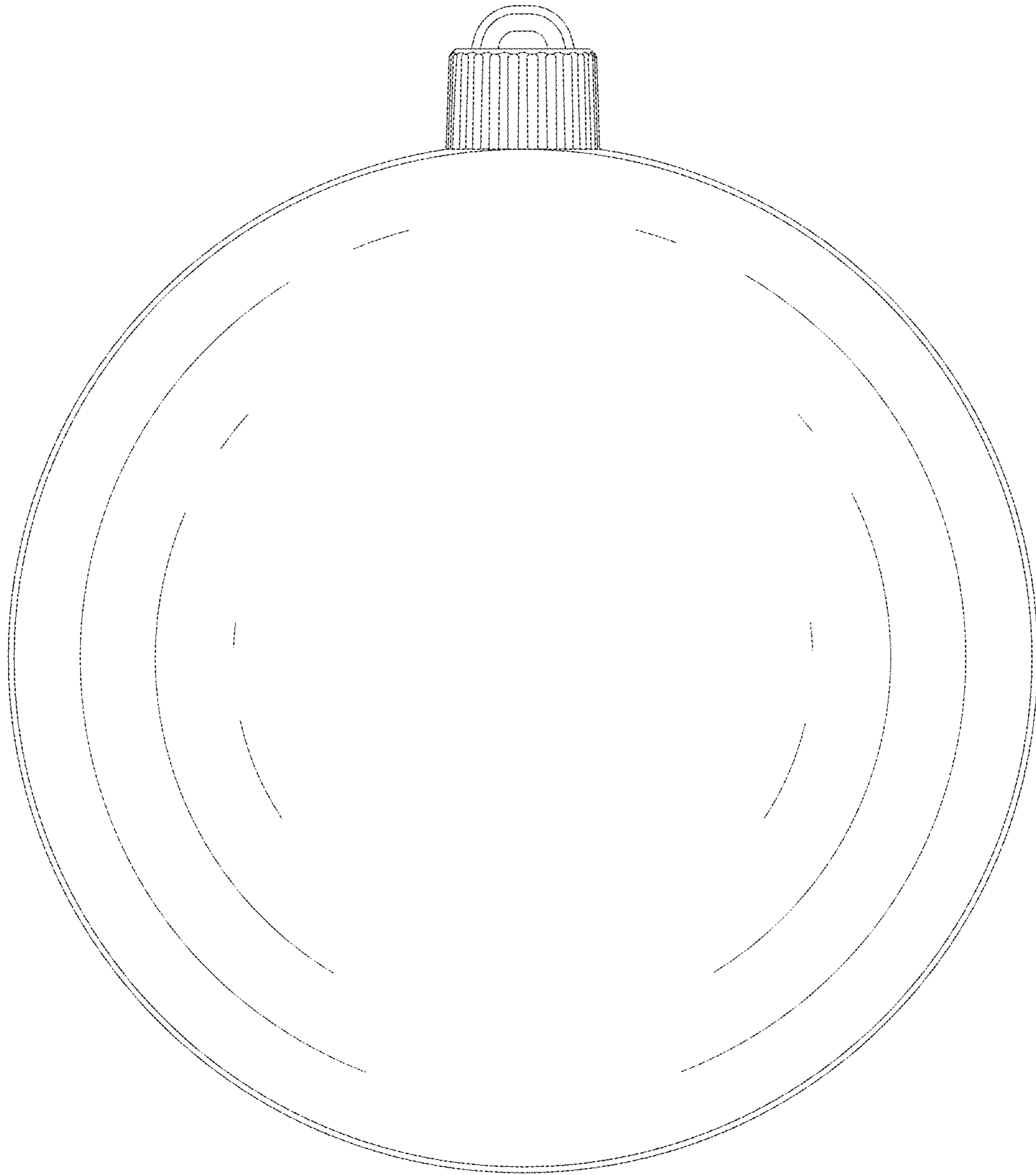


FIG. 7

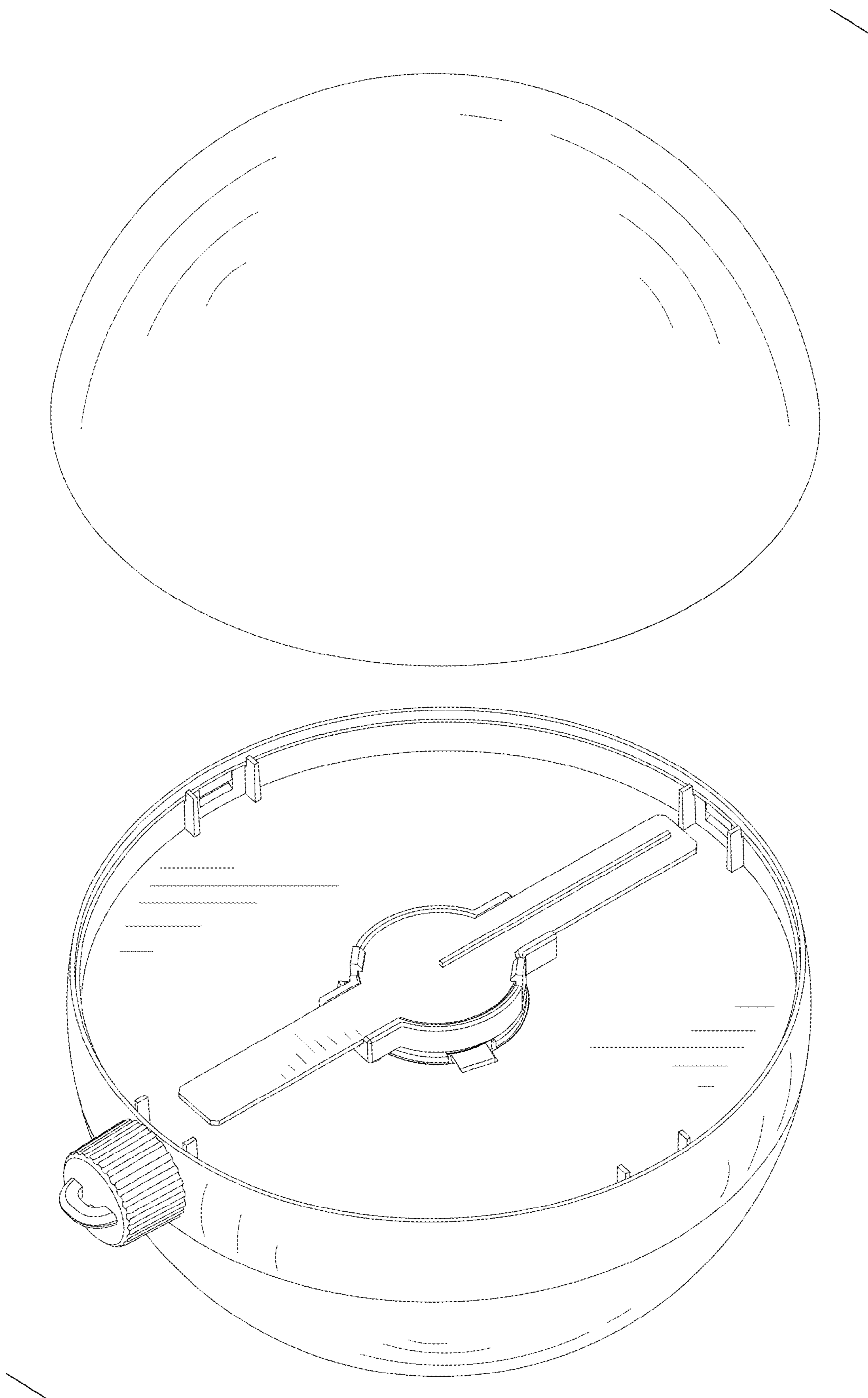


FIG. 8