



US00D938372S

(12) **United States Design Patent** (10) **Patent No.:** **US D938,372 S**
Shaw (45) **Date of Patent:** **** Dec. 14, 2021**

(54) **WIRELESS EMERGENCY SYSTEM CONTROLLER**

D700,148 S * 2/2014 Paul D13/168
D733,666 S * 7/2015 Zhang D13/168
D920,270 S * 5/2021 Xiao D14/137

(71) Applicant: **Ramtech Electronics Limited**,
Nottingham (GB)

* cited by examiner

(72) Inventor: **Howard Shaw**, Nottingham (GB)

Primary Examiner — Selina Sikder
(74) *Attorney, Agent, or Firm* — FisherBroyles LLP;
Kevin D. Jablonski

(73) Assignee: **Ramtech Electronics Limited**,
Nottingham (GB)

(57) **CLAIM**

The ornamental design for a wireless emergency system controller, as shown and described.

(**) Term: **15 Years**

DESCRIPTION

(21) Appl. No.: **29/746,544**

(22) Filed: **Aug. 14, 2020**

(51) **LOC (13) Cl.** **14-03**

(52) **U.S. Cl.**
USPC **D13/168**

(58) **Field of Classification Search**
USPC D13/168; D14/137, 155, 218, 240;
D10/104.1

CPC G08C 17/02; G08C 19/00; G08C 19/12;
G08C 19/28; G08C 23/04; H04B 1/202;
H05B 47/10; H05B 47/19; H03J 9/00;
H03J 9/02; H03J 9/04; H03J 9/06; H03J
1/0025; H01H 9/0225; H01H 9/0228;
H01H 9/0235

See application file for complete search history.

FIG. 1 is a first isometric view of the wireless emergency system controller;
FIG. 2 is a second isometric view of the wireless emergency system controller;
FIG. 3 is a front elevation view thereof;
FIG. 4 is a rear elevation view thereof;
FIG. 5 is a left side elevation view thereof; and
FIG. 6 is a right side elevation view thereof; and,
FIG. 7 is a top plan view of the wireless emergency system controller.

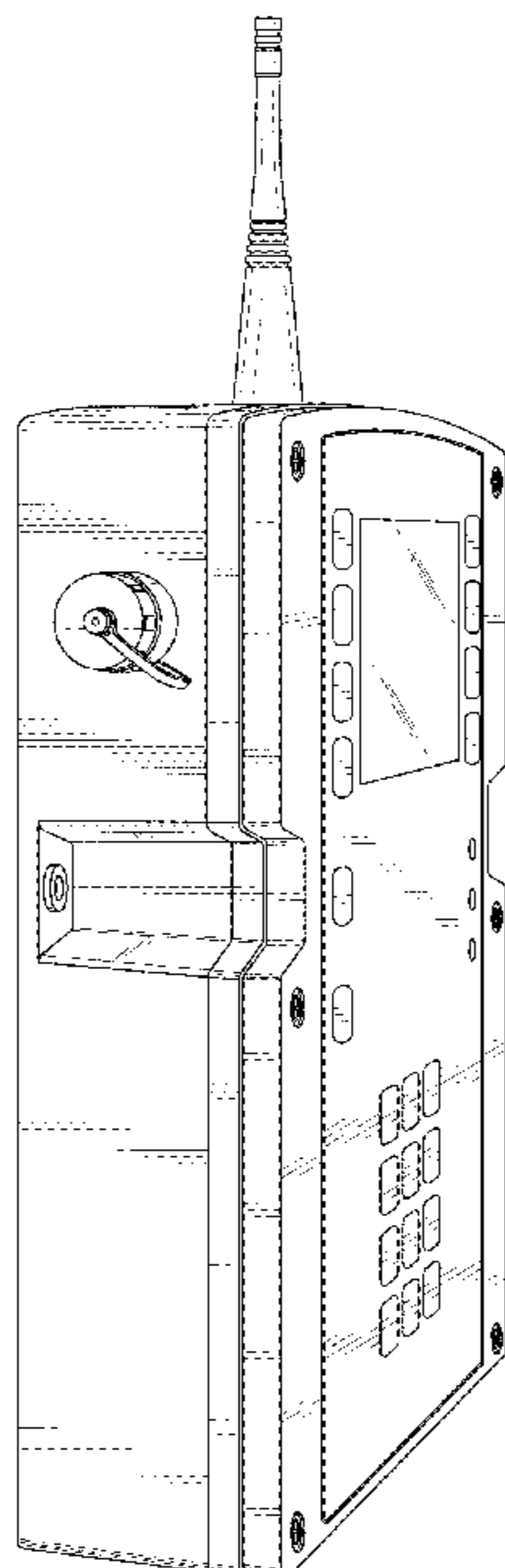
The subject ornamental design is for a wireless emergency system controller—sometimes referred to as a WES Connect device (see FIGS. 1-7) In general, WES is provided in construction, industrial and commercial property locations to facilitate emergency responses involving fire, safety and medical situations amongst responding personnel and automated building systems. The controller of the present subject design conforms with wireless US specification technology that enables a WES emergency evacuation and medical alert system to be installed quickly and moved around as required without damaging the building. Unlike hard wired systems, WES can be used in the most complex of locations where traditional hard-wired alarms would be impractical or cost-prohibitive.

(56) **References Cited**

U.S. PATENT DOCUMENTS

D406,584 S * 3/1999 Nagai D14/137
D441,743 S * 5/2001 Uehara D14/125
D587,708 S * 3/2009 Yoshida D14/358
D676,815 S * 2/2013 Gettings D13/168

1 Claim, 7 Drawing Sheets



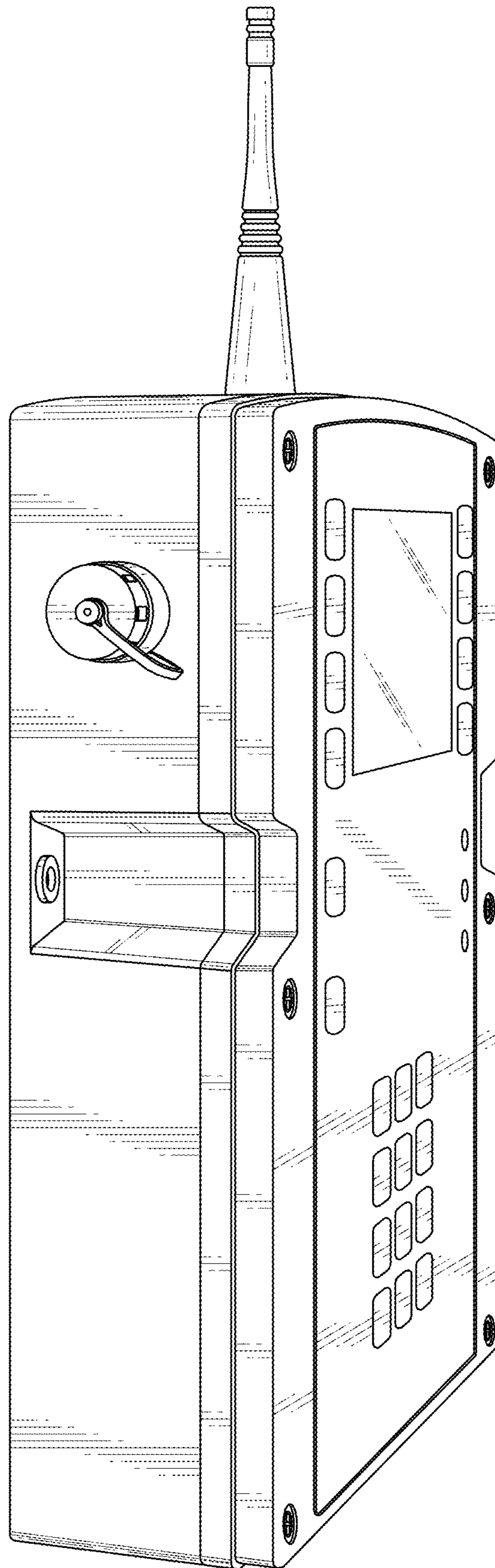


FIG. 1

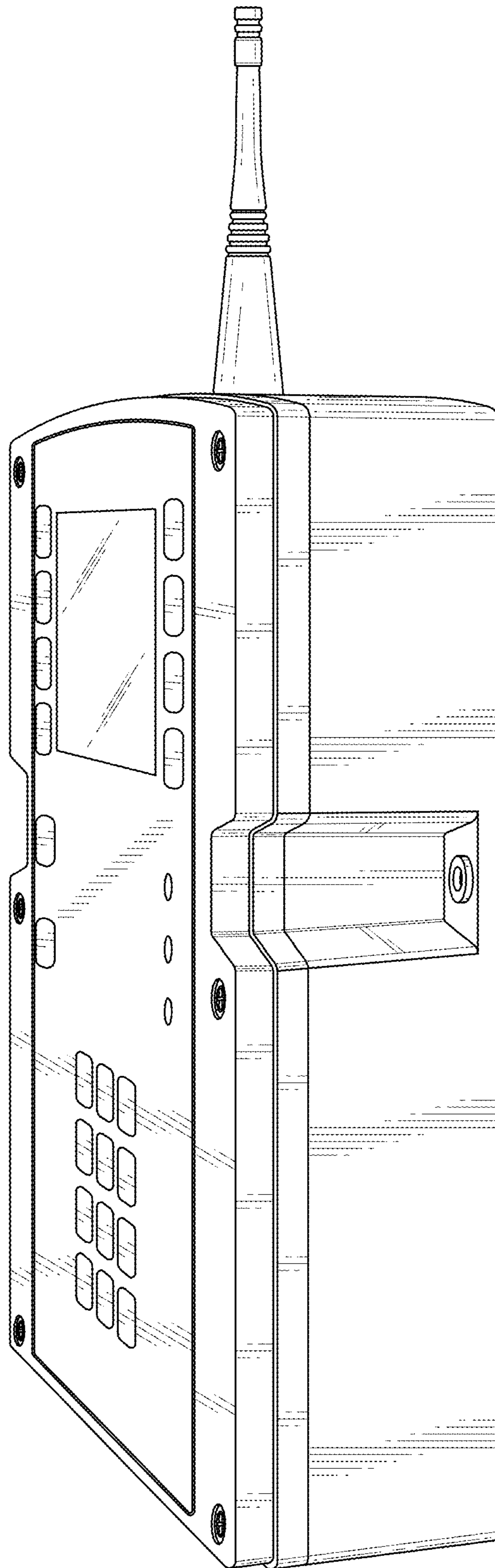


FIG. 2

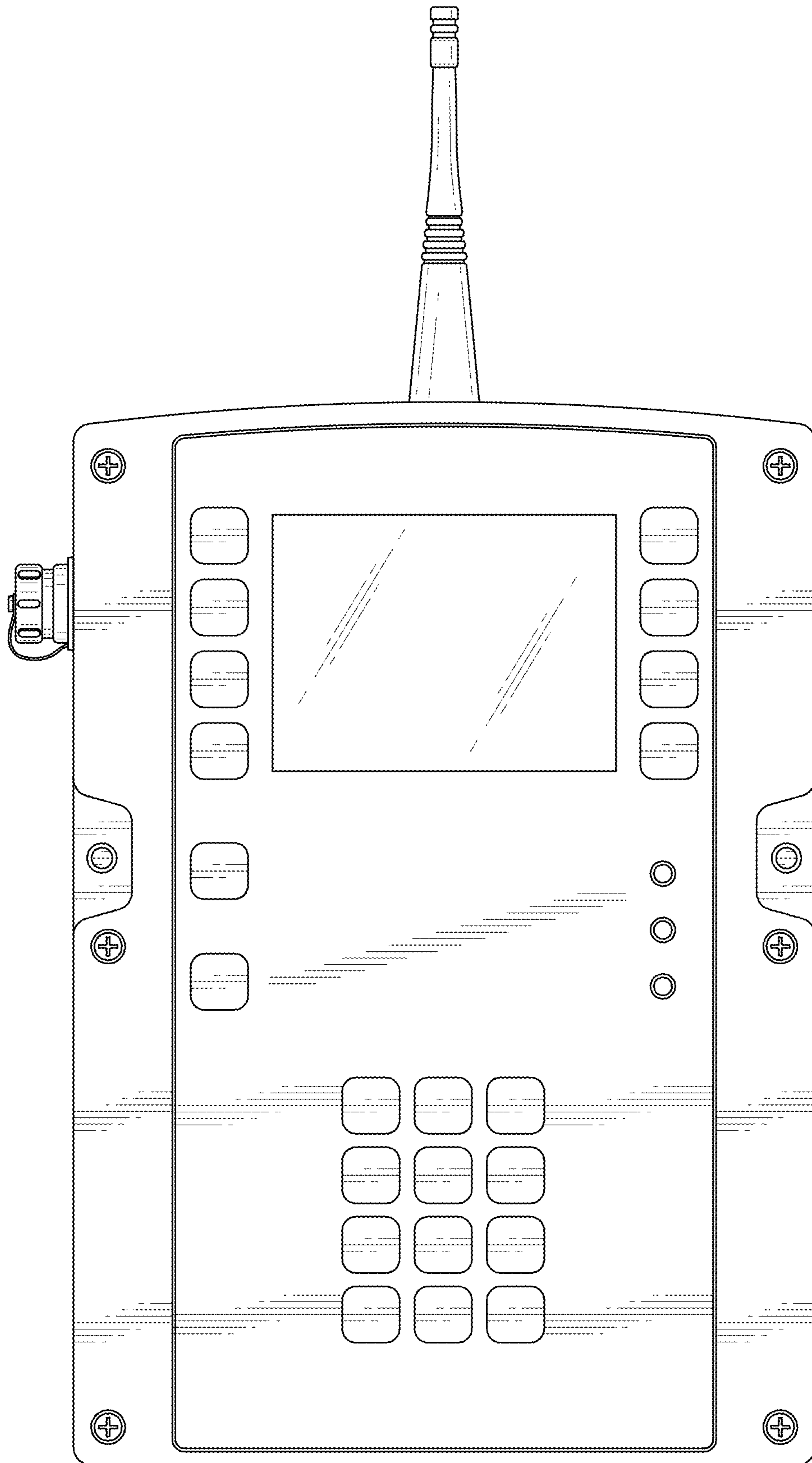


FIG. 3

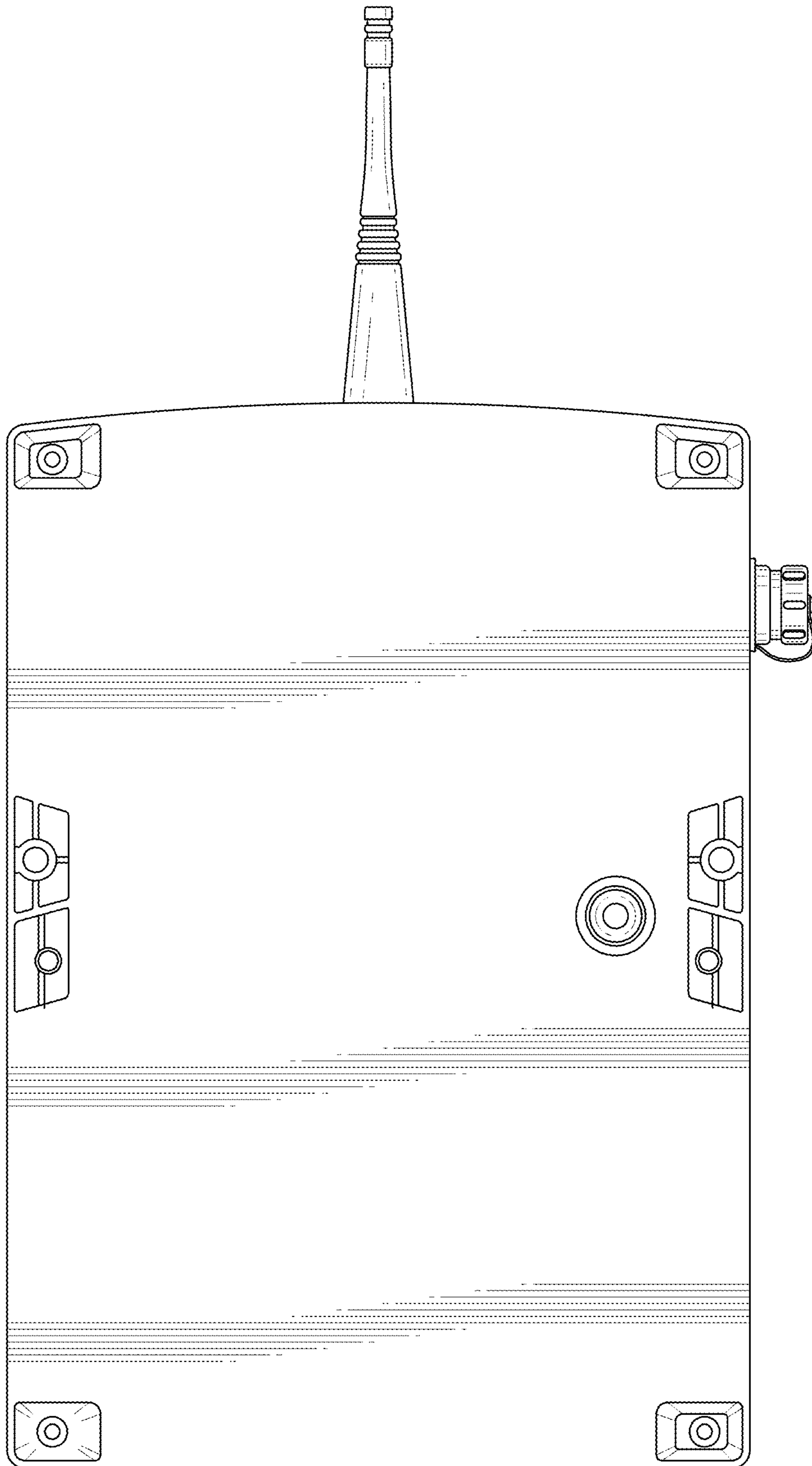


FIG. 4

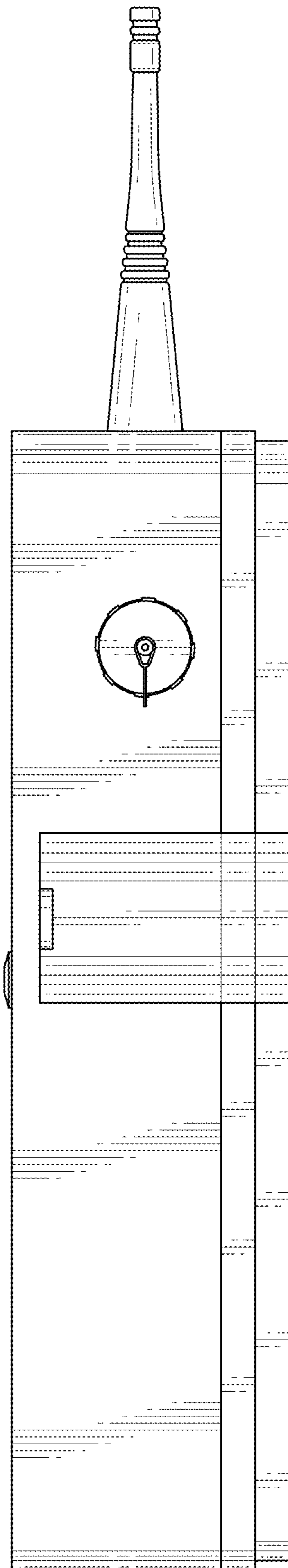


FIG. 5

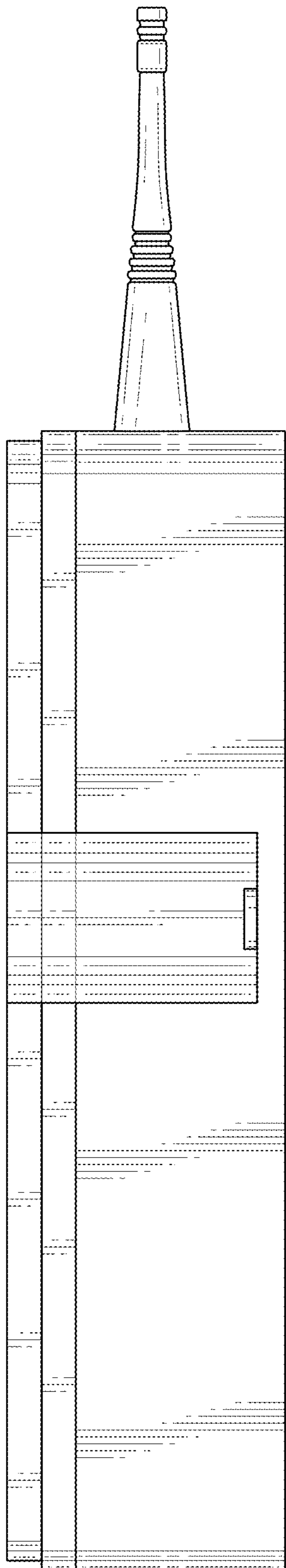


FIG. 6

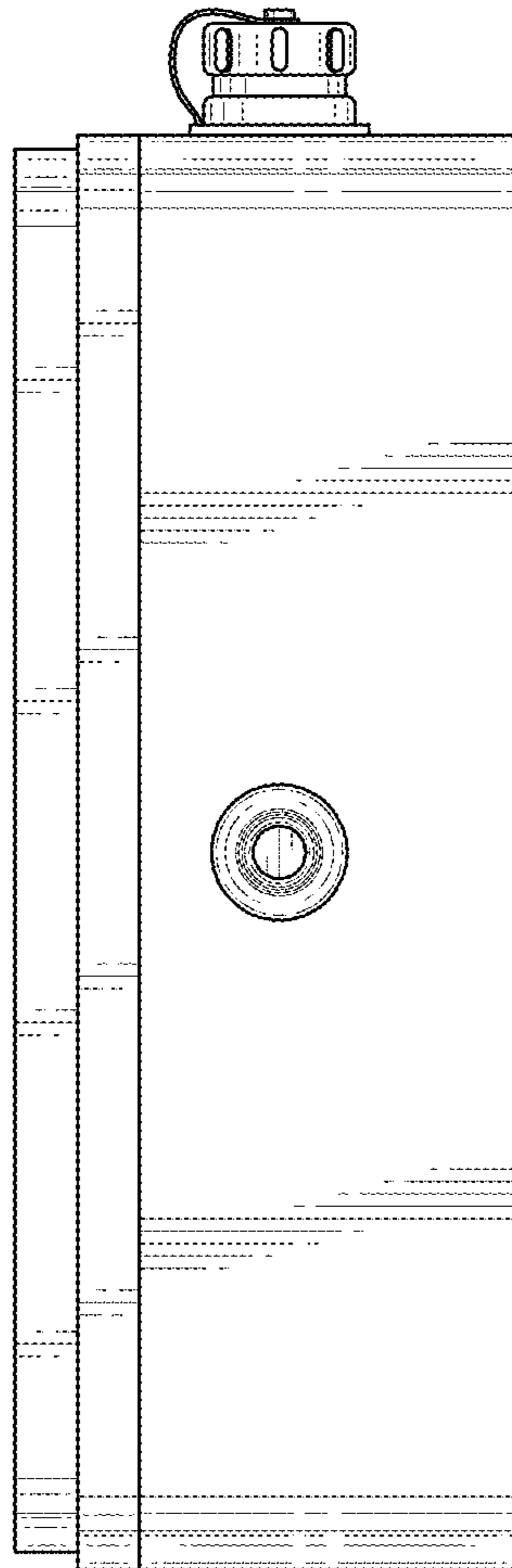


FIG. 7