



US00D938371S

(12) **United States Design Patent** (10) **Patent No.:** **US D938,371 S**
Shen (45) **Date of Patent:** **** Dec. 14, 2021**

(54) **MEDICAL CONTROLLER**
(71) Applicant: **TIMOTION TECHNOLOGY CO., LTD.**, New Taipei (TW)
(72) Inventor: **Bo-Yen Shen**, New Taipei (TW)
(73) Assignee: **TIMOTION TECHNOLOGY CO., LTD.**, New Taipei (TW)
(**) Term: **15 Years**
(21) Appl. No.: **29/732,708**
(22) Filed: **Apr. 27, 2020**
(51) **LOC (13) Cl.** **14-03**
(52) **U.S. Cl.**
USPC **D13/168**
(58) **Field of Classification Search**
USPC D14/218; D13/168, 162-164
CPC . H04N 7/00; B60R 25/00; H01H 3/14; H01H
9/00
See application file for complete search history.

(56) **References Cited**
U.S. PATENT DOCUMENTS
D381,417 S * 7/1997 Simmons D13/168
7,538,284 B2 * 5/2009 Nielsen A47B 9/00
200/296
D594,852 S * 6/2009 Klein D14/218
D609,222 S * 2/2010 Shin D14/218
D678,217 S * 3/2013 Helm D13/162
D820,221 S * 6/2018 Yang D13/164
D825,493 S * 8/2018 Chen D13/164
D833,981 S * 11/2018 Seal D13/162
D846,503 S * 4/2019 Yang D13/162
D847,100 S * 4/2019 Yang D13/162
D850,390 S * 6/2019 Yang D13/164
D851,603 S * 6/2019 Shen D13/162
D851,604 S * 6/2019 Zhuang D13/162
D860,143 S * 9/2019 Wolf D13/162
D868,039 S * 11/2019 Chen D14/218
D868,744 S * 12/2019 Yang D14/218

D879,054 S * 3/2020 Shen D13/168
D929,350 S * 8/2021 Dimberg D13/168
2013/0168212 A1 * 7/2013 Tseng H01H 13/16
200/86.5
2015/0246404 A1 * 9/2015 Teraoka G05B 15/02
219/129

FOREIGN PATENT DOCUMENTS

CN 304794750 * 8/2018

OTHER PUBLICATIONS

Timotion TMH21 series controller, website 2021, site visited Oct. 15, 2021, <https://www.timotion.com/en/products/controls/tmh21-series>.*

* cited by examiner

Primary Examiner — John R Yeh
(74) *Attorney, Agent, or Firm* — Chun-Ming Shih; HDLS IPR Services

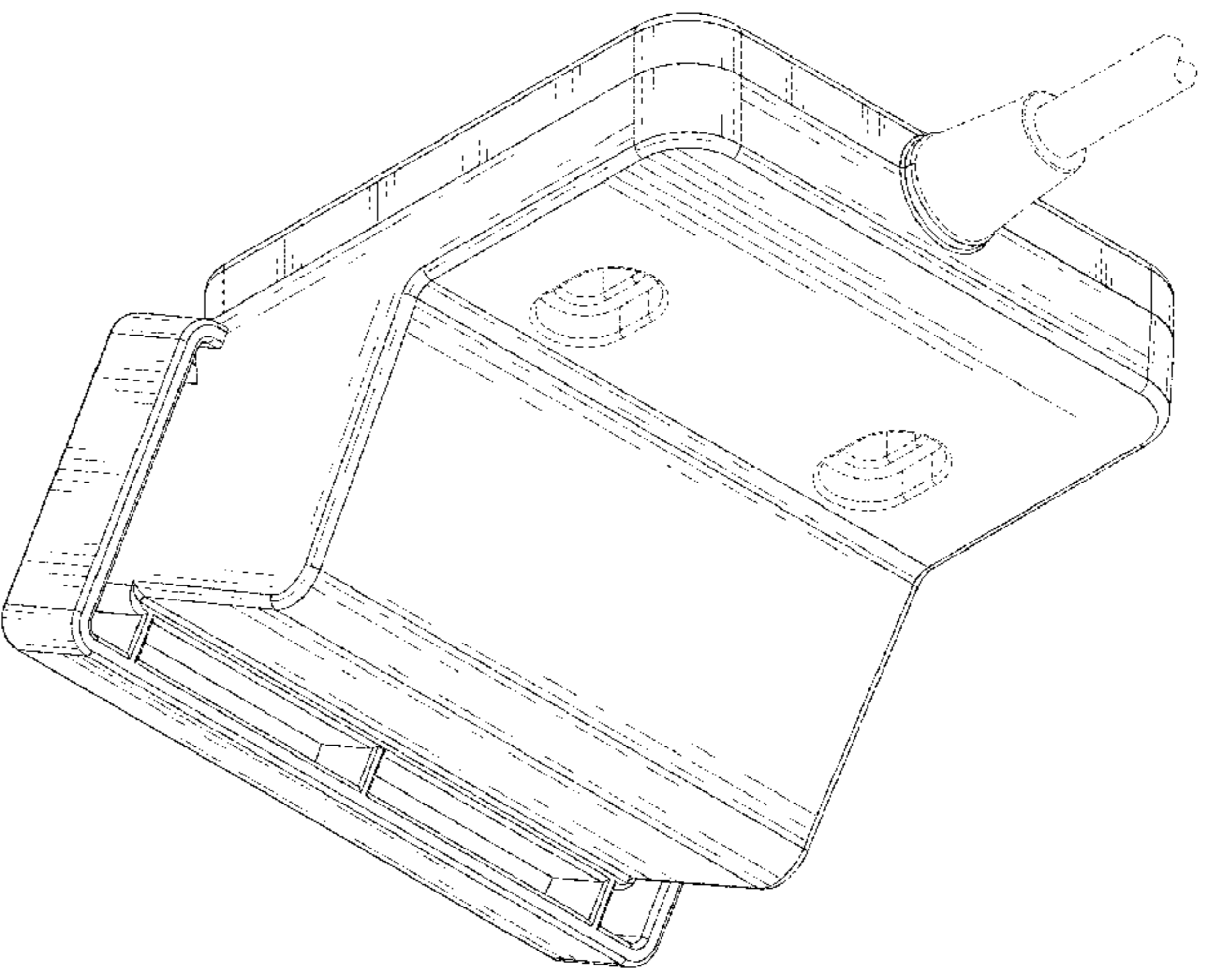
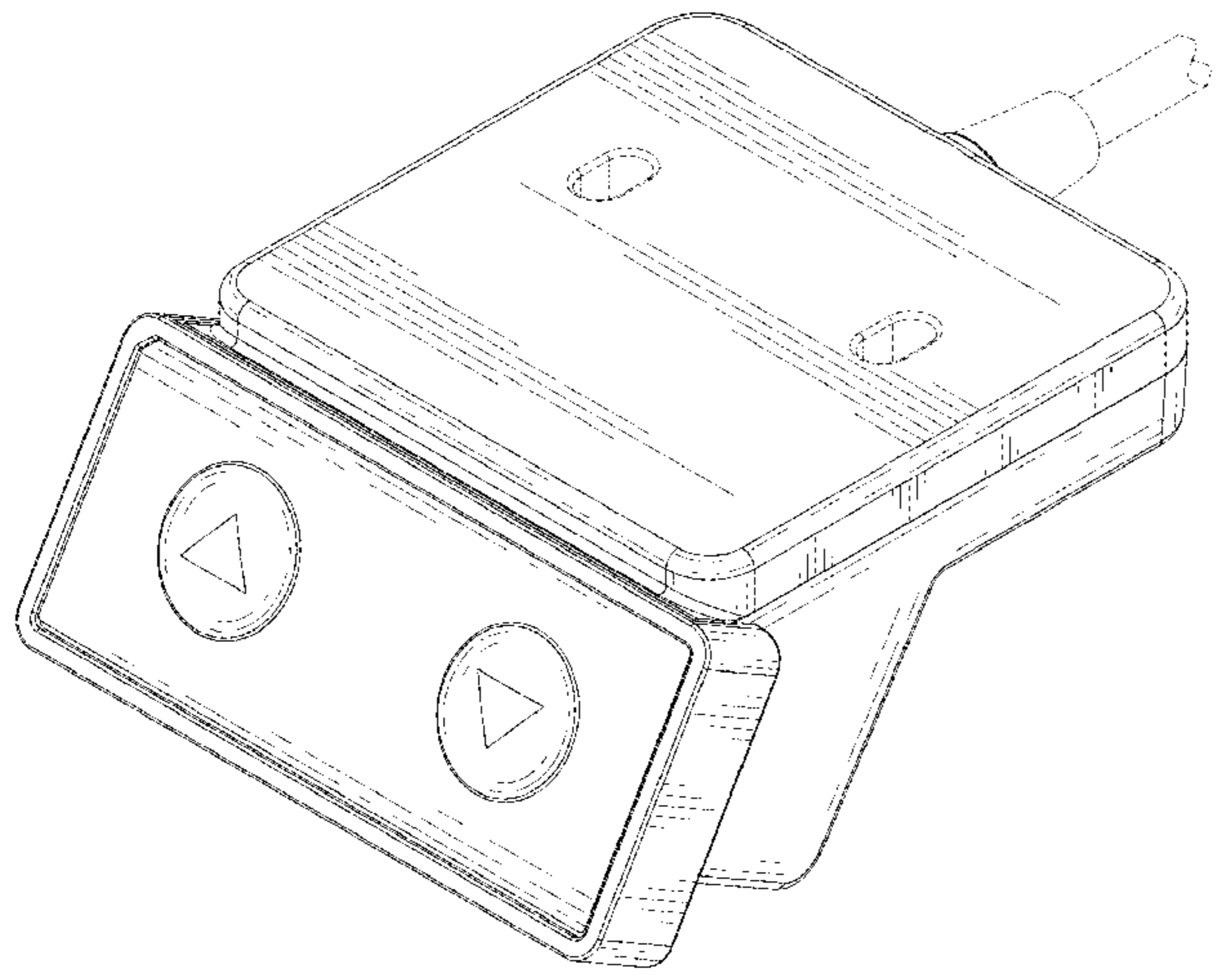
(57) **CLAIM**

The ornamental design for a medical controller, as shown and described.

DESCRIPTION

FIG. 1 is a top, front, right side perspective view for a medical controller showing my new design;
FIG. 2 is a front view thereof;
FIG. 3 is a rear view thereof;
FIG. 4 is a left side view thereof;
FIG. 5 is a right side view thereof;
FIG. 6 is a top view thereof;
FIG. 7 is a bottom view thereof;
FIG. 8 is a top, rear, right side perspective view thereof; and,
FIG. 9 is a bottom, rear, right side perspective view thereof.
The broken lines in the drawings illustrate portions of the medical controller that form no part of the claimed design.

1 Claim, 9 Drawing Sheets



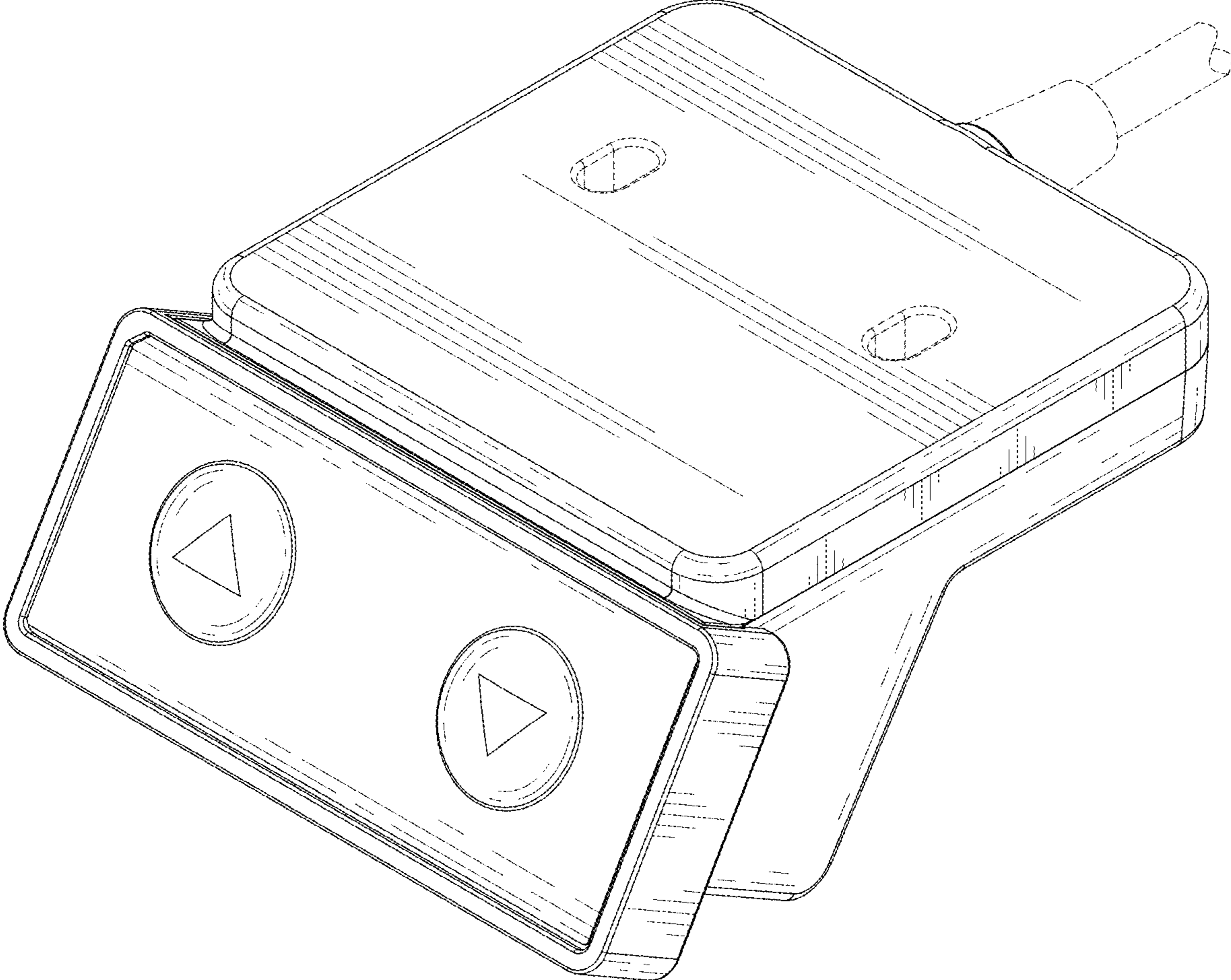


FIG.1

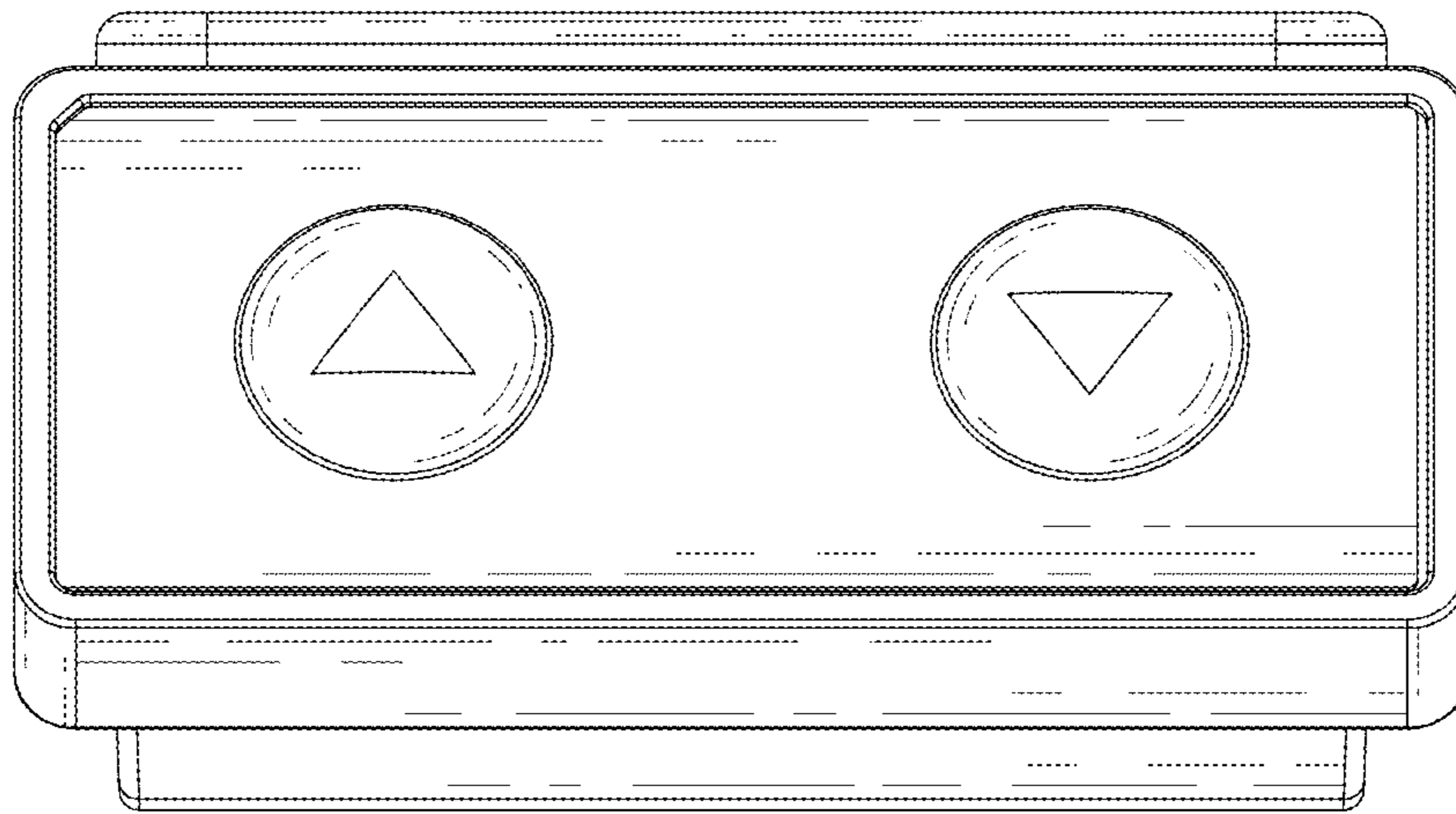


FIG.2

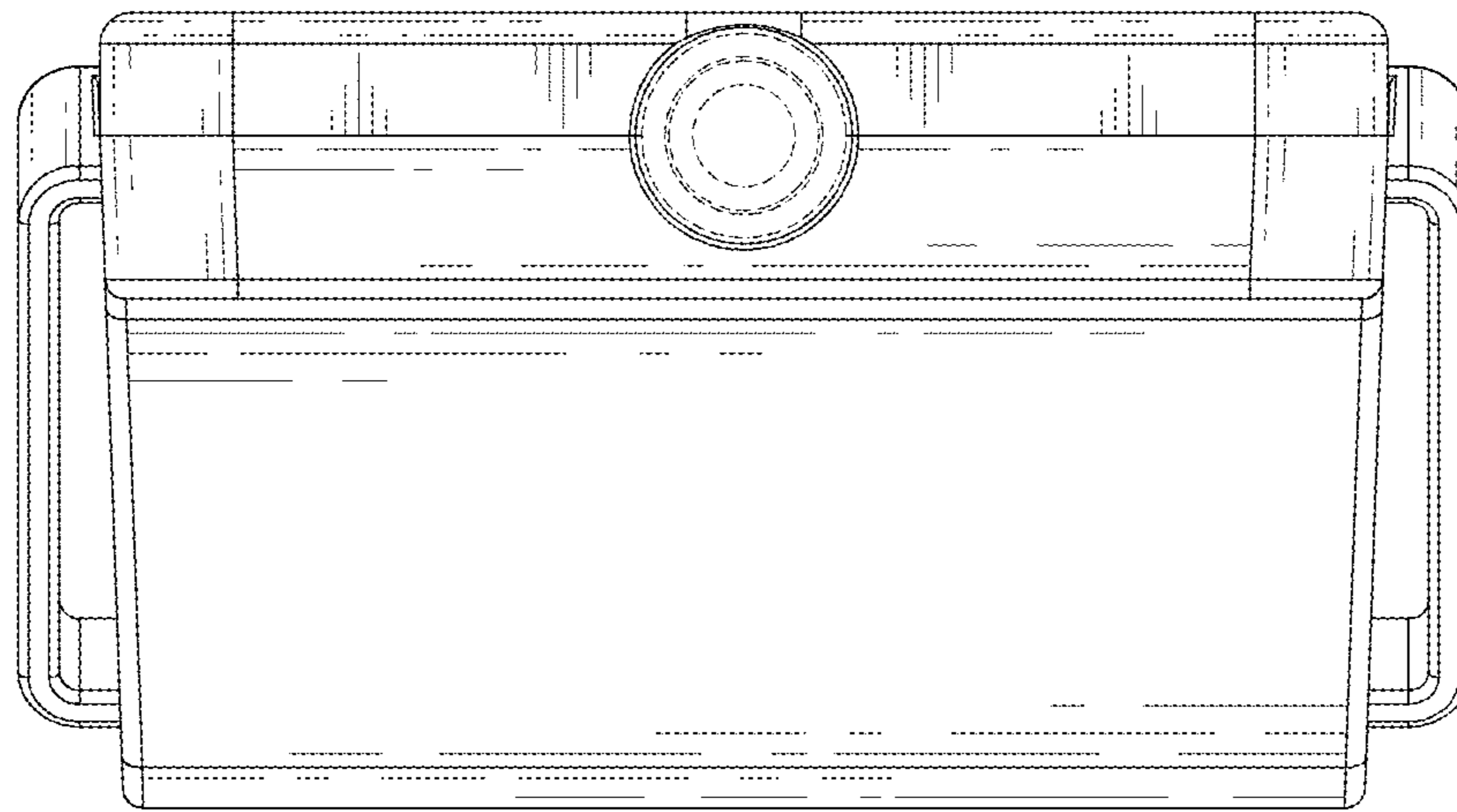


FIG.3

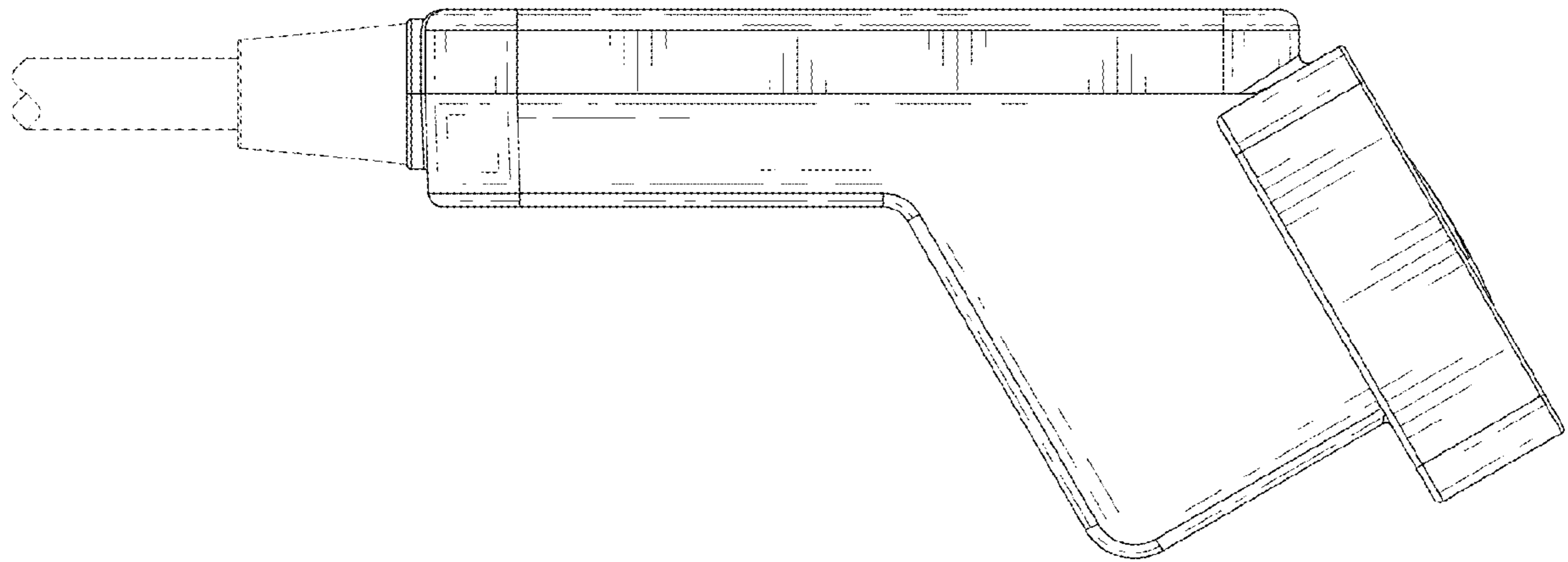


FIG.4

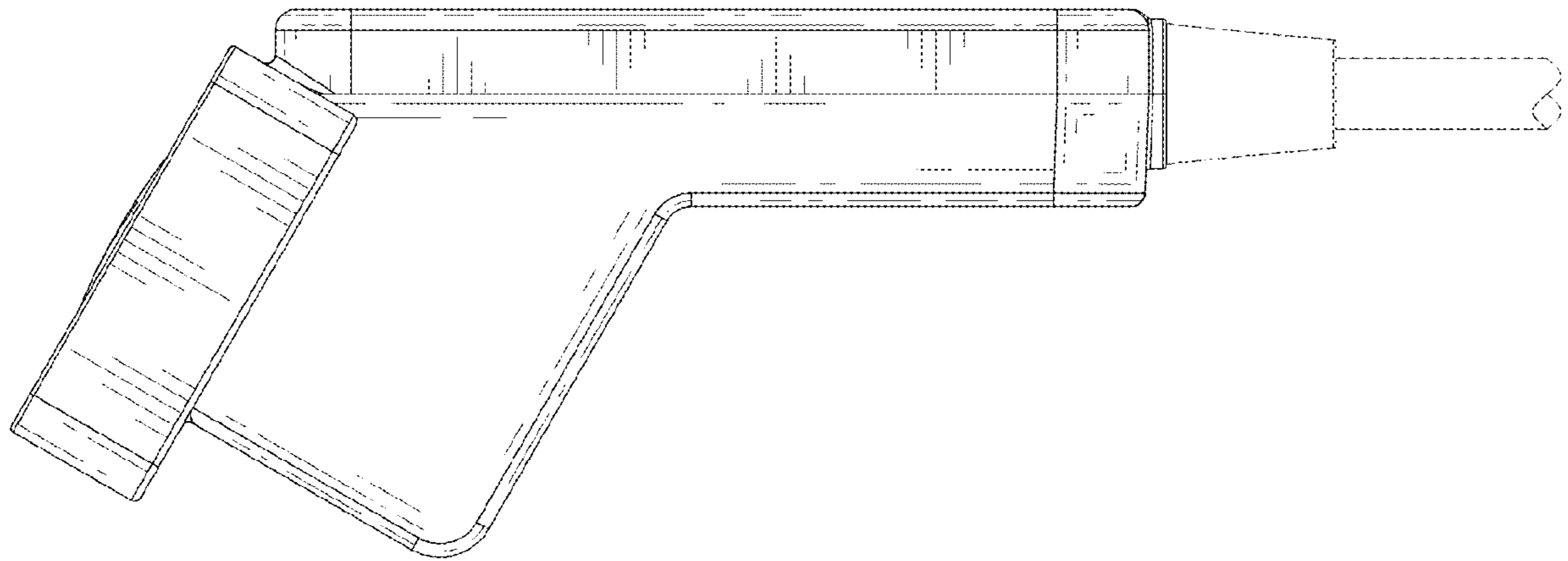


FIG.5

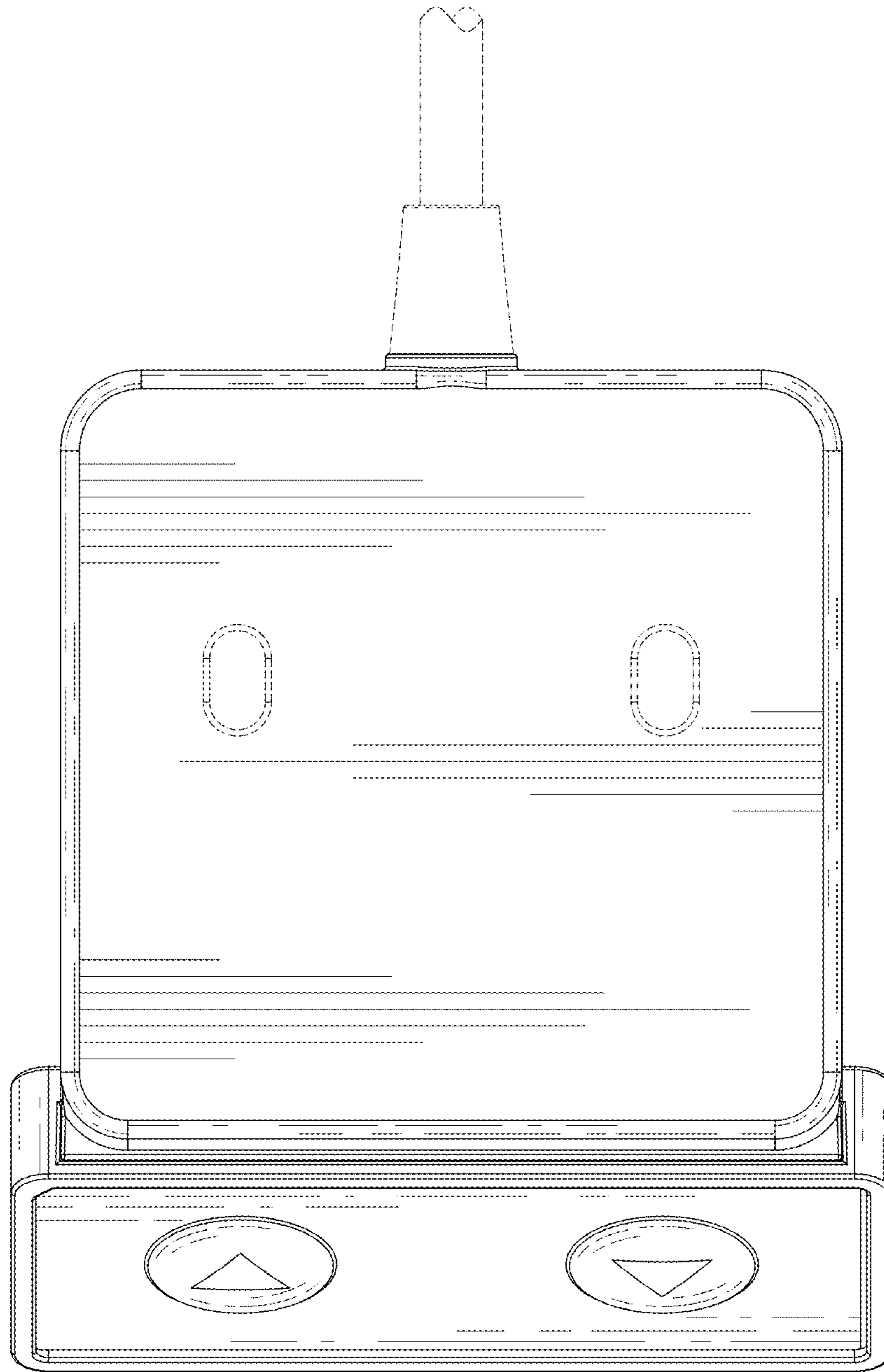


FIG.6

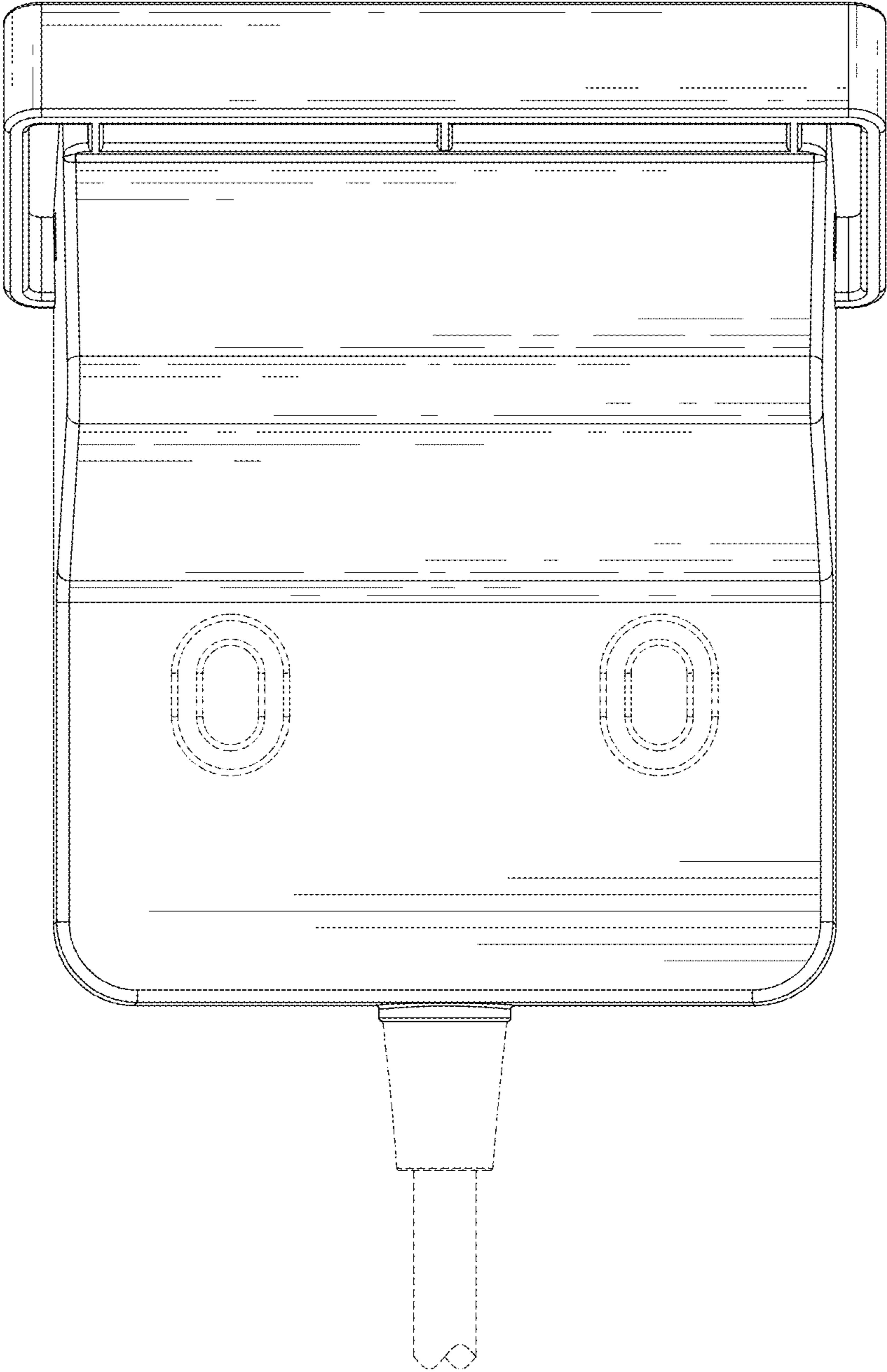


FIG.7

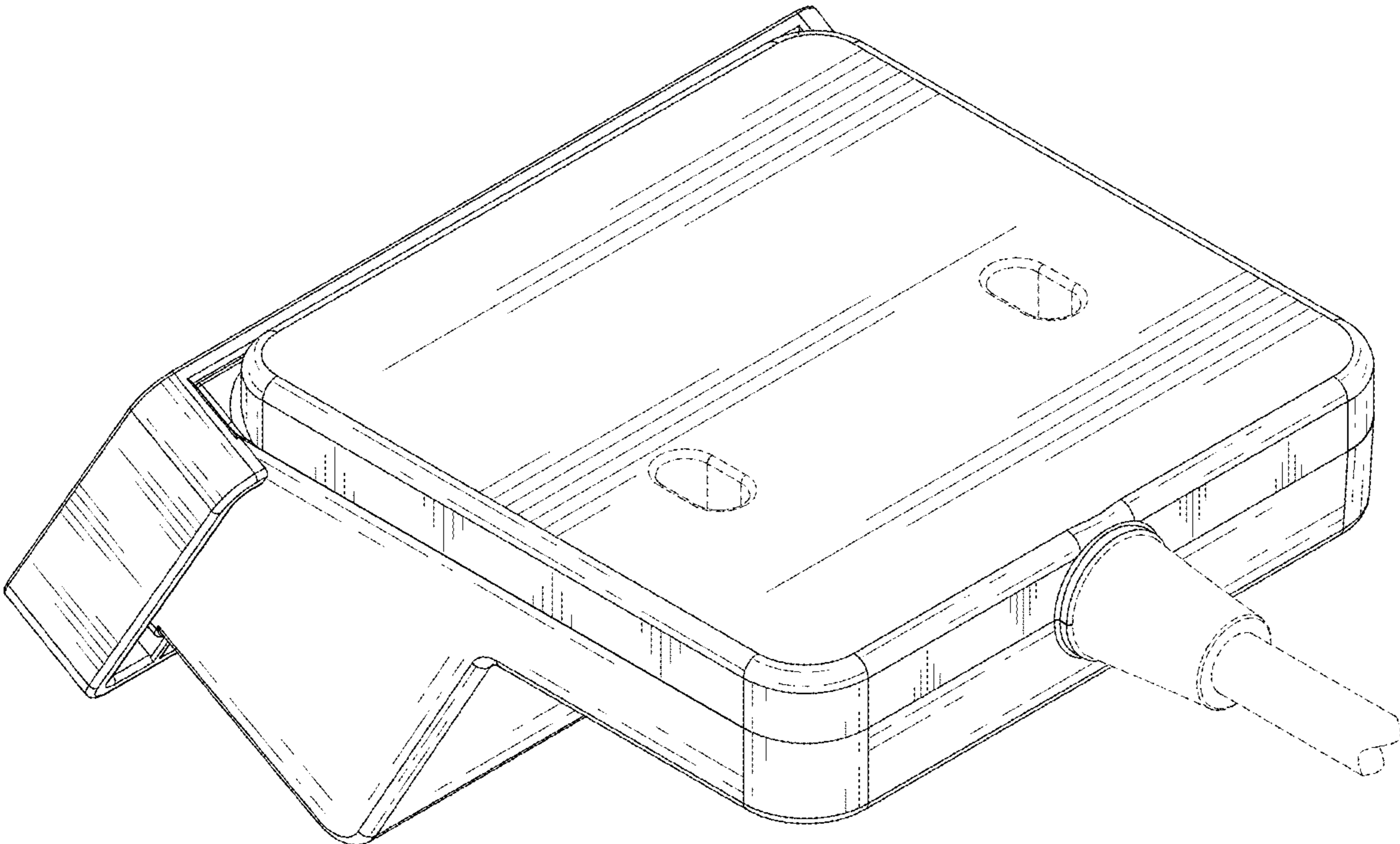


FIG.8

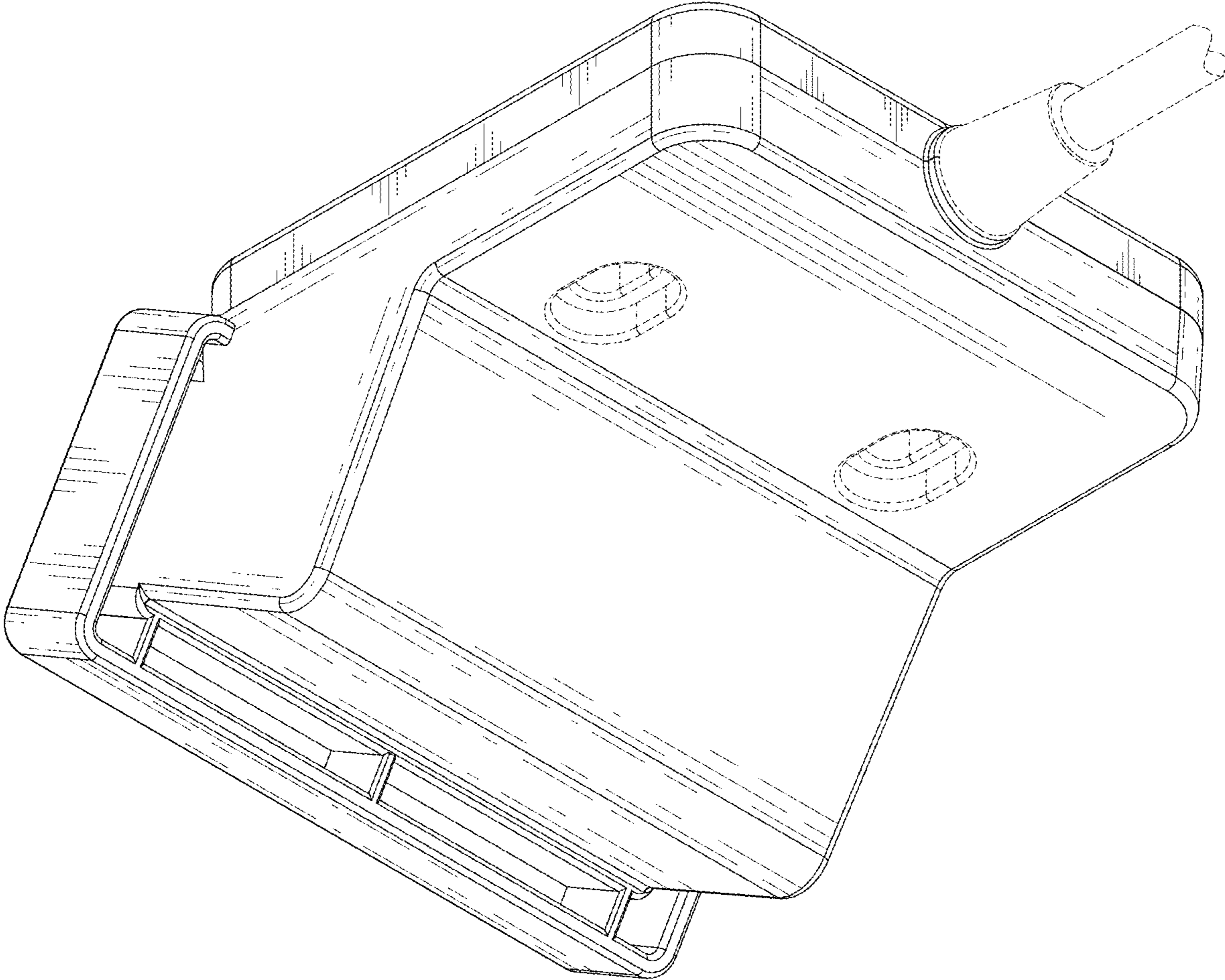


FIG.9