



US00D938369S

(12) **United States Design Patent**
Schmid

(10) **Patent No.:** **US D938,369 S**

(45) **Date of Patent:** **** Dec. 14, 2021**

(54) **COMBINED ELECTRICAL SWITCH WITH MOUNTING PLATE**

(71) Applicant: **Ellenberger & Poensgen GmbH**, Altdorf (DE)

(72) Inventor: **Thomas Schmid**, Altdorf (DE)

(73) Assignee: **Ellenberger & Poensgen GmbH**, Altdorf (DE)

(**) Term: **15 Years**

(21) Appl. No.: **35/508,012**

(22) Filed: **Oct. 21, 2019**

(80) **Hague Agreement Data**

Int. Filing Date: **Oct. 21, 2019**
Int. Reg. No.: **DM/204346**
Int. Reg. Date: **Oct. 21, 2019**
Int. Reg. Pub. Date: **Dec. 6, 2019**

(51) **LOC (13) Cl.** **13-03**

(52) **U.S. Cl.**
USPC **D13/158**

(58) **Field of Classification Search**
USPC D13/158, 169, 174
CPC H01H 5/00; H01H 83/12; H01H 71/0207;
H01H 21/22; H02B 1/048
See application file for complete search history.

(56) **References Cited**

U.S. PATENT DOCUMENTS

2,761,936 A * 9/1956 Verkuil H01H 21/22
200/530
3,706,869 A * 12/1972 Sorenson H02B 1/048
200/295

D323,613 S * 2/1992 Cummins D13/169
5,451,729 A * 9/1995 Onderka H01H 71/0207
200/18
5,834,996 A * 11/1998 Ullermann H01H 83/12
335/6
D416,871 S * 11/1999 Todd D13/169
D440,945 S * 4/2001 Yu D13/169
D447,123 S * 8/2001 Winkler D13/158
D454,119 S * 3/2002 Winkler D13/158
D638,803 S * 5/2011 Sakakibara D13/158
D650,338 S * 12/2011 Sakakibara D13/174
D810,703 S * 2/2018 Ito D13/174
10,348,000 B2 * 7/2019 Fischer H01H 5/00

* cited by examiner

Primary Examiner — Rhea Shields

(74) *Attorney, Agent, or Firm* — Laurence A. Greenberg;
Werner H. Stemer; Ralph E. Locher

(57) **CLAIM**

The ornamental design for a combined electrical switch with mounting plate, as shown and described.

DESCRIPTION

1.-2. Combined electrical switch with mounting plate

2.1 : Perspective

2.2 : Front

2.3 : Left

2.4 : Back

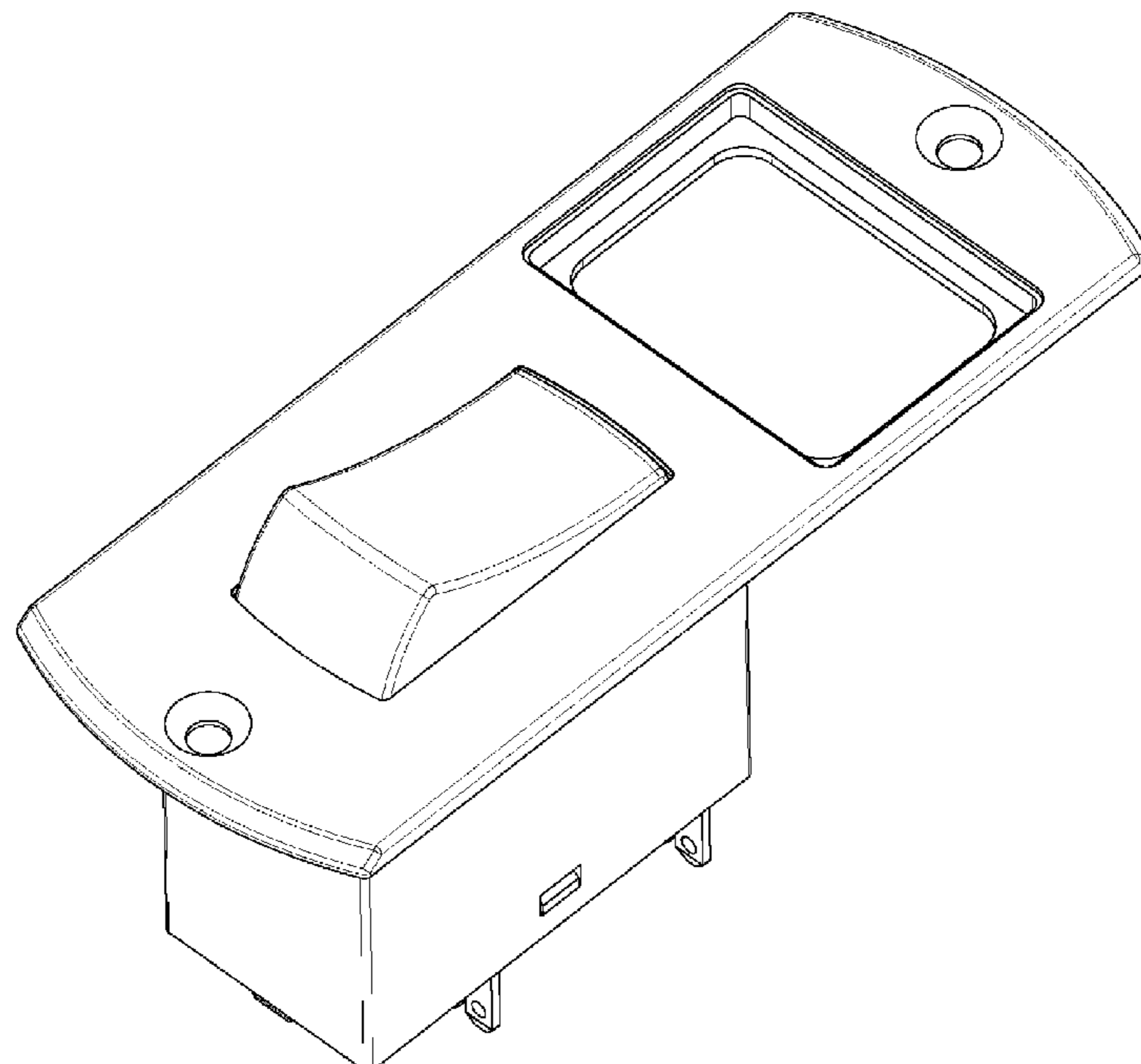
2.5 : Top

2.6 : Bottom

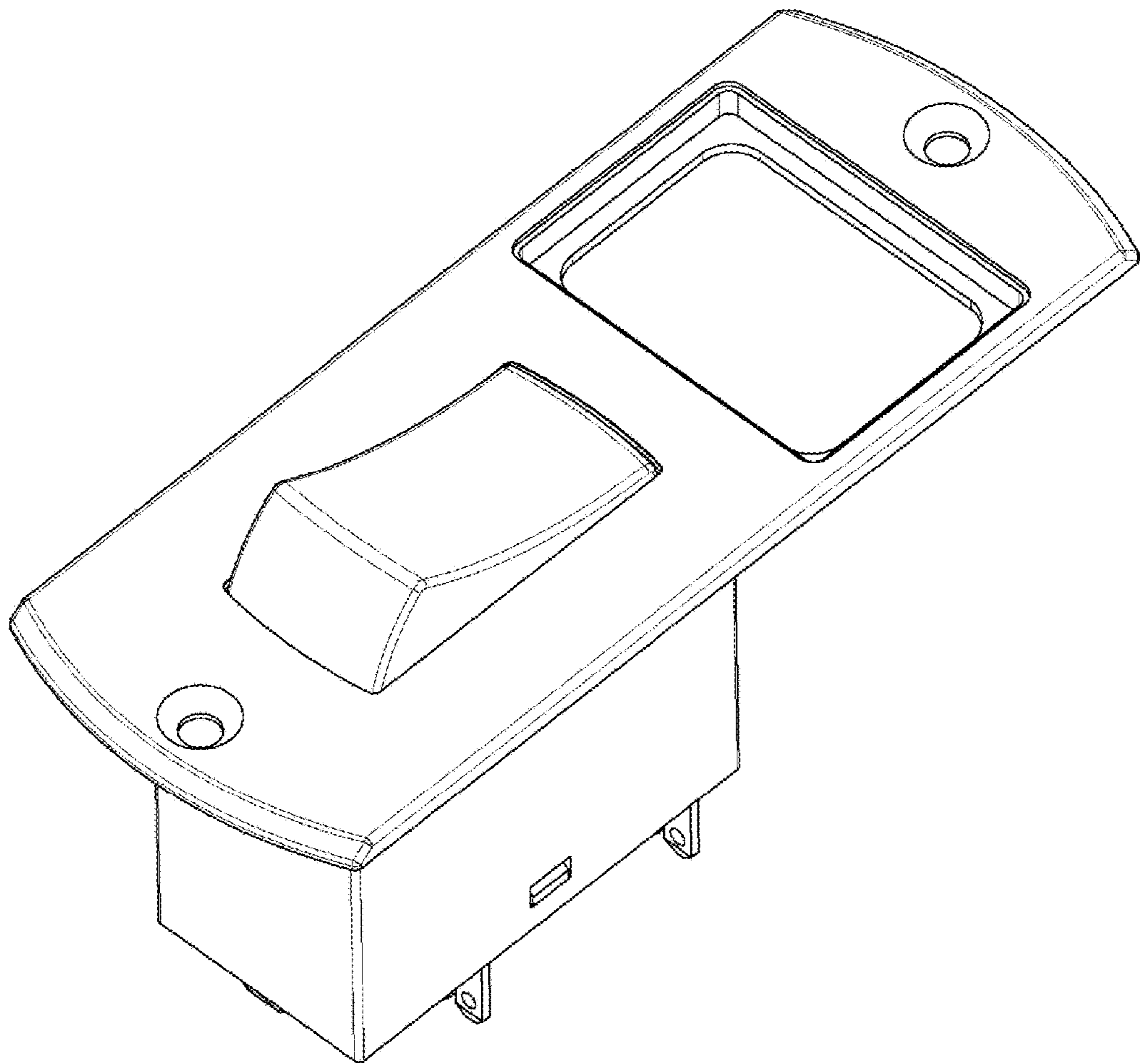
2.7 : Perspective

In the reproductions, the broken lines are for the purpose of illustrating portions of the combined electrical switch with mounting plate that forms no part of the claimed design.

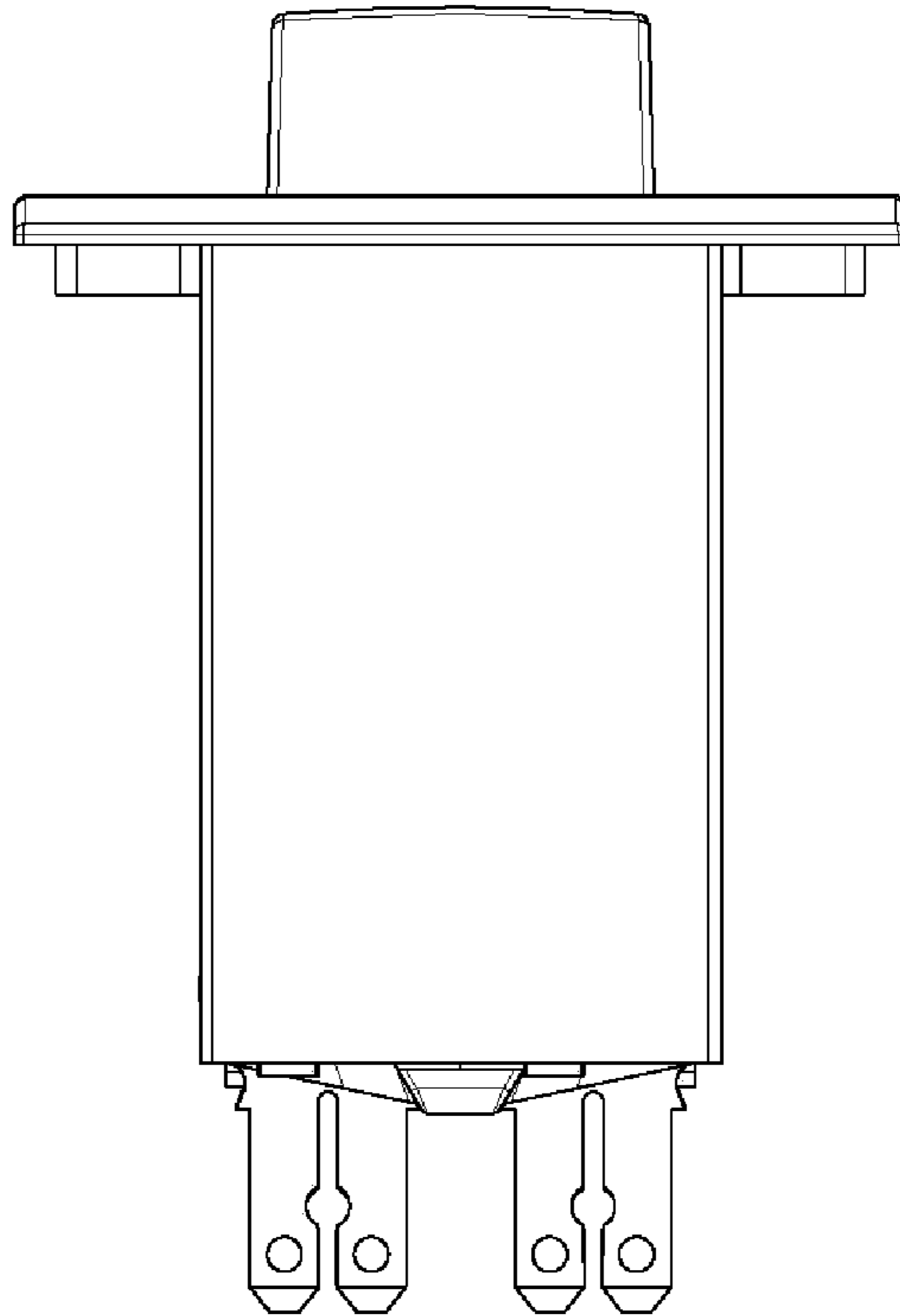
1 Claim, 7 Drawing Sheets



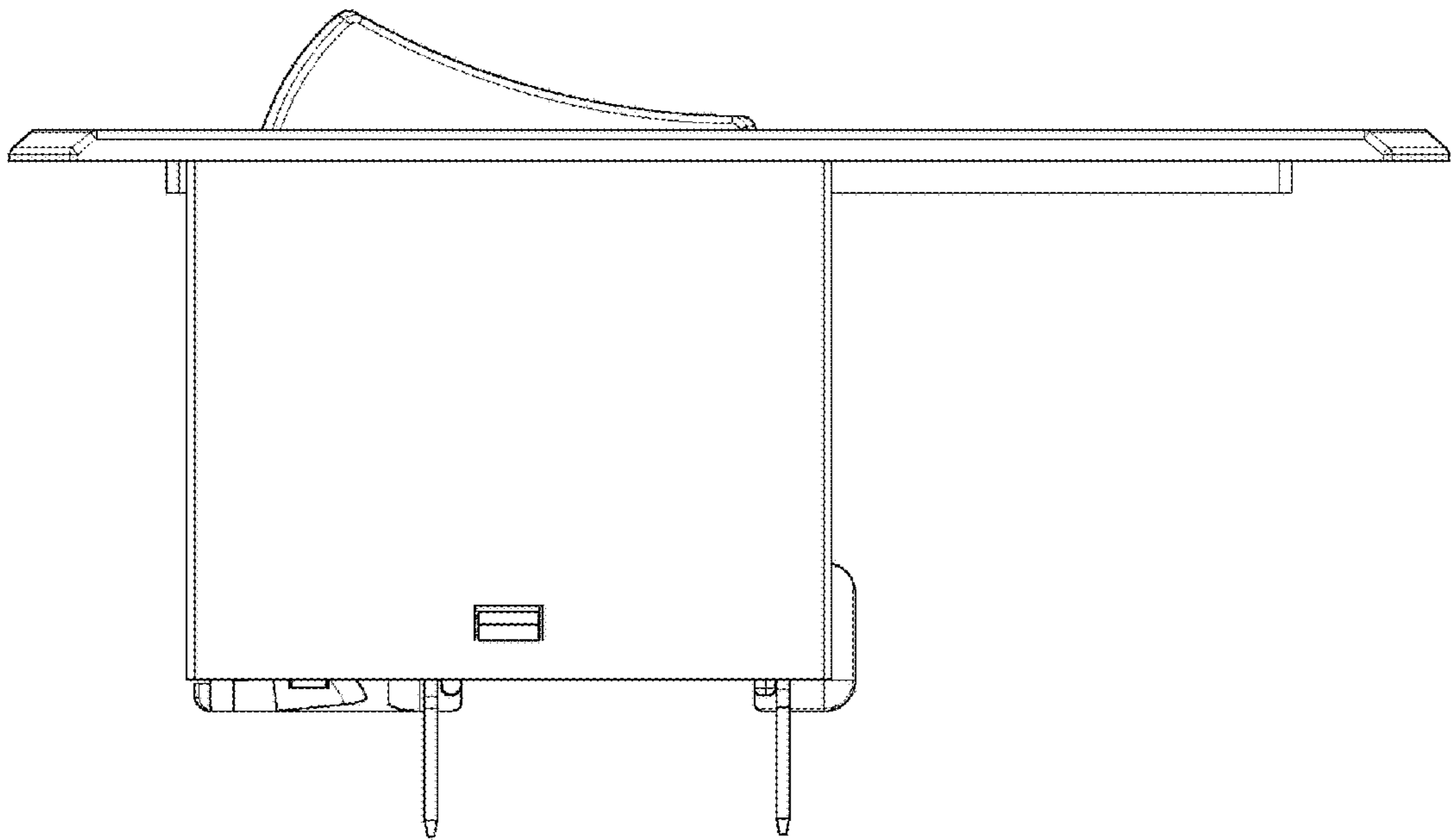
2.1



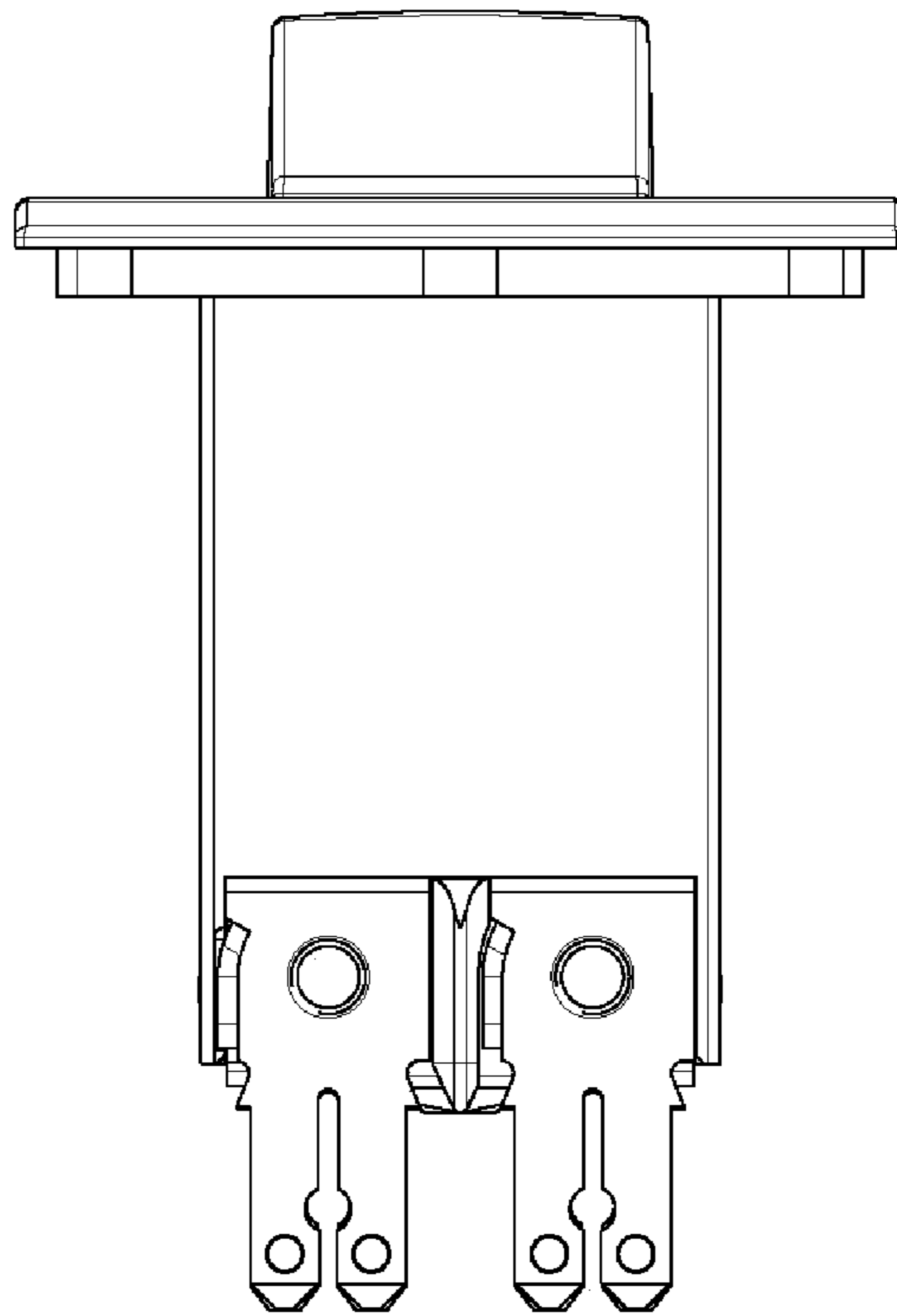
2.2



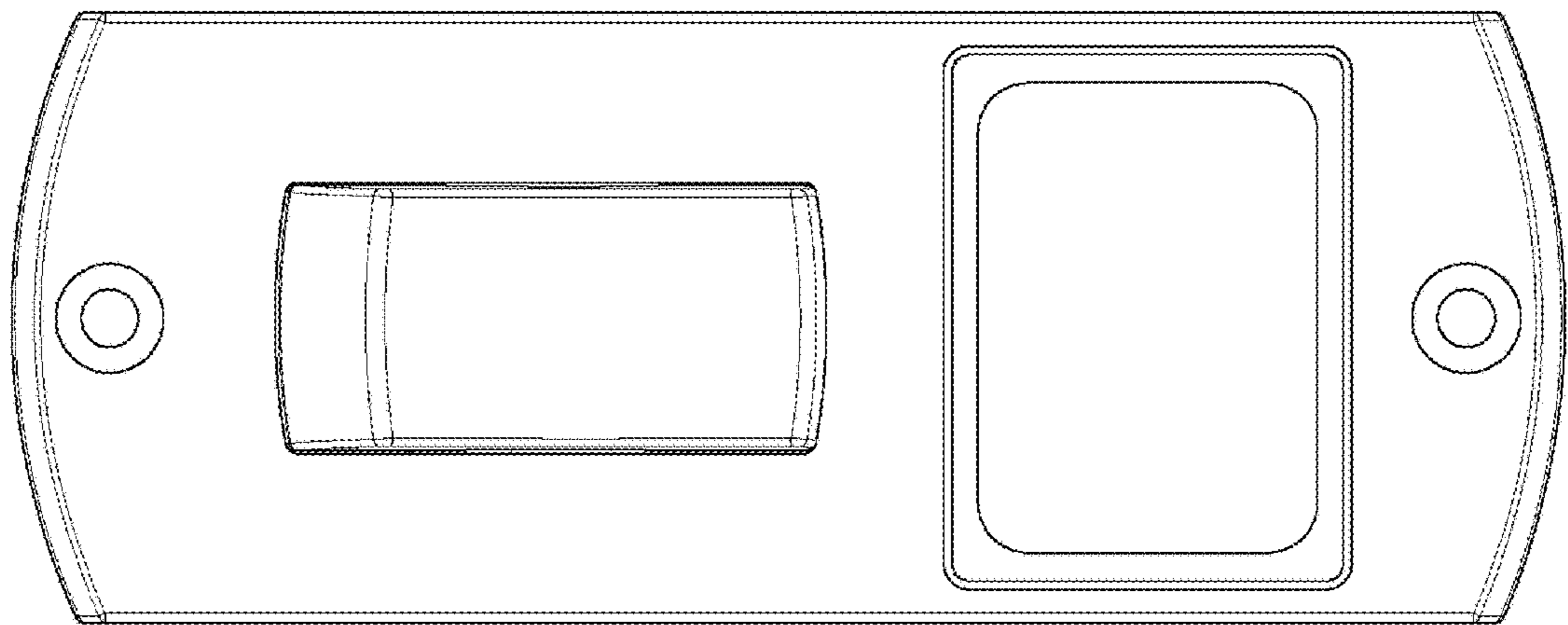
2.3

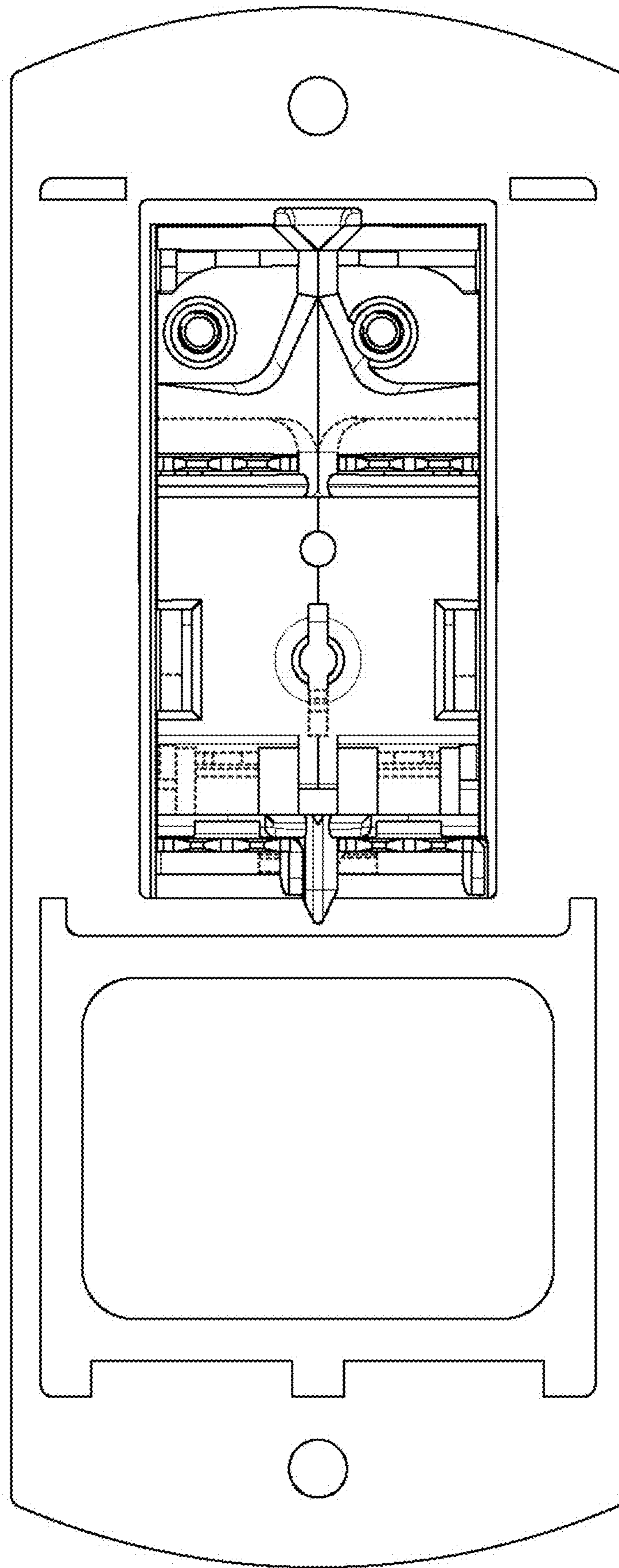


2.4

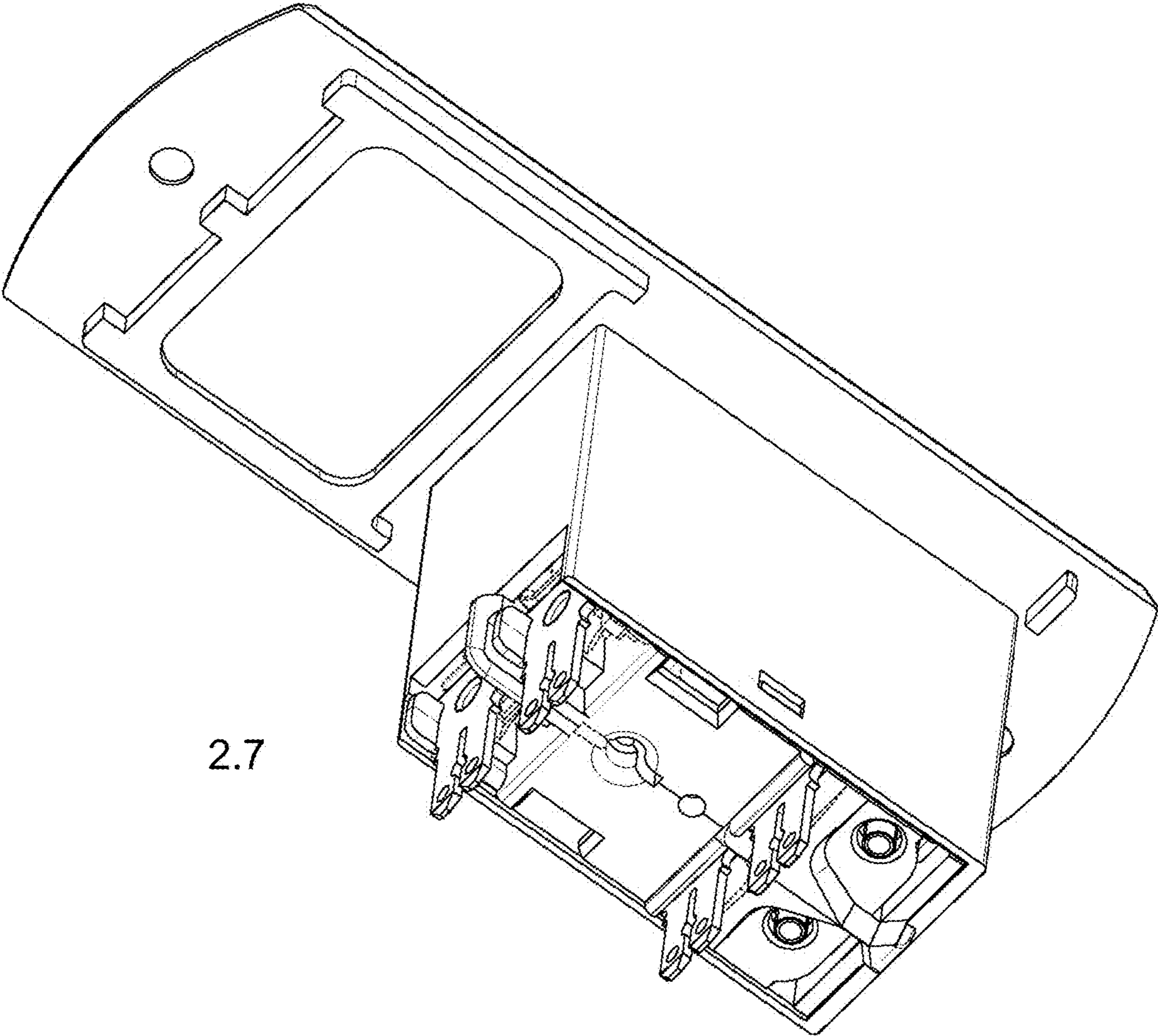


2.5





2.6



2.7