



US00D938368S

(12) **United States Design Patent** (10) **Patent No.:** **US D938,368 S**
Smith (45) **Date of Patent:** **** Dec. 14, 2021**

(54) **DUST CAP FOR FIBER OPTIC ADAPTERS**

Primary Examiner — Jennifer O King

(71) Applicant: **Jack William Smith**, East Gull Lake, MN (US)

(57) **CLAIM**

I claim the ornamental design for a dust cap for fiber optic adapters, as shown and described.

(72) Inventor: **Jack William Smith**, East Gull Lake, MN (US)

(**) Term: **15 Years**

DESCRIPTION

(21) Appl. No.: **29/749,826**

(22) Filed: **Sep. 9, 2020**

Related U.S. Application Data

(62) Division of application No. 29/627,297, filed on Nov. 25, 2017, now Pat. No. Des. 913,966.

(51) **LOC (13) Cl.** **13-02**

(52) **U.S. Cl.**
USPC **D13/156**

(58) **Field of Classification Search**
USPC D13/155, 153, 133, 156, 139.4, 139.1, D13/108, 147, 154, 199
CPC G02B 6/3849; H01R 13/5213
See application file for complete search history.

FIG. 1 is a perspective view of a dust cap for fiber optic adapters according to one embodiment of my new design; FIG. 2 is a front elevation view thereof; FIG. 3 is a back elevation view thereof; FIG. 4 is a left side elevation view thereof; FIG. 5 is a right side elevation view thereof; FIG. 6 is a top plan view thereof; FIG. 7 is a bottom plan view thereof; FIG. 8 is a center section view thereof, taken from FIG. 4; and FIG. 9 is a another section view thereof, taken from FIG. 6. FIG. 10 is a perspective view of a second embodiment of a dust cap for fiber optic adapters; FIG. 11 is a front elevation view thereof; FIG. 12 is a back elevation view thereof; FIG. 13 is a left side elevation view thereof; FIG. 14 is a right side elevation view thereof; FIG. 15 is a top plan view thereof; FIG. 16 is a bottom plan view thereof; FIG. 17 is a center section view thereof, taken from FIG. 13; and, FIG. 18 is another section view thereof, taken from FIG. 15. The broken lines shown represent portions of the dust cap for fiber optic adapters that form no part of the claimed design.

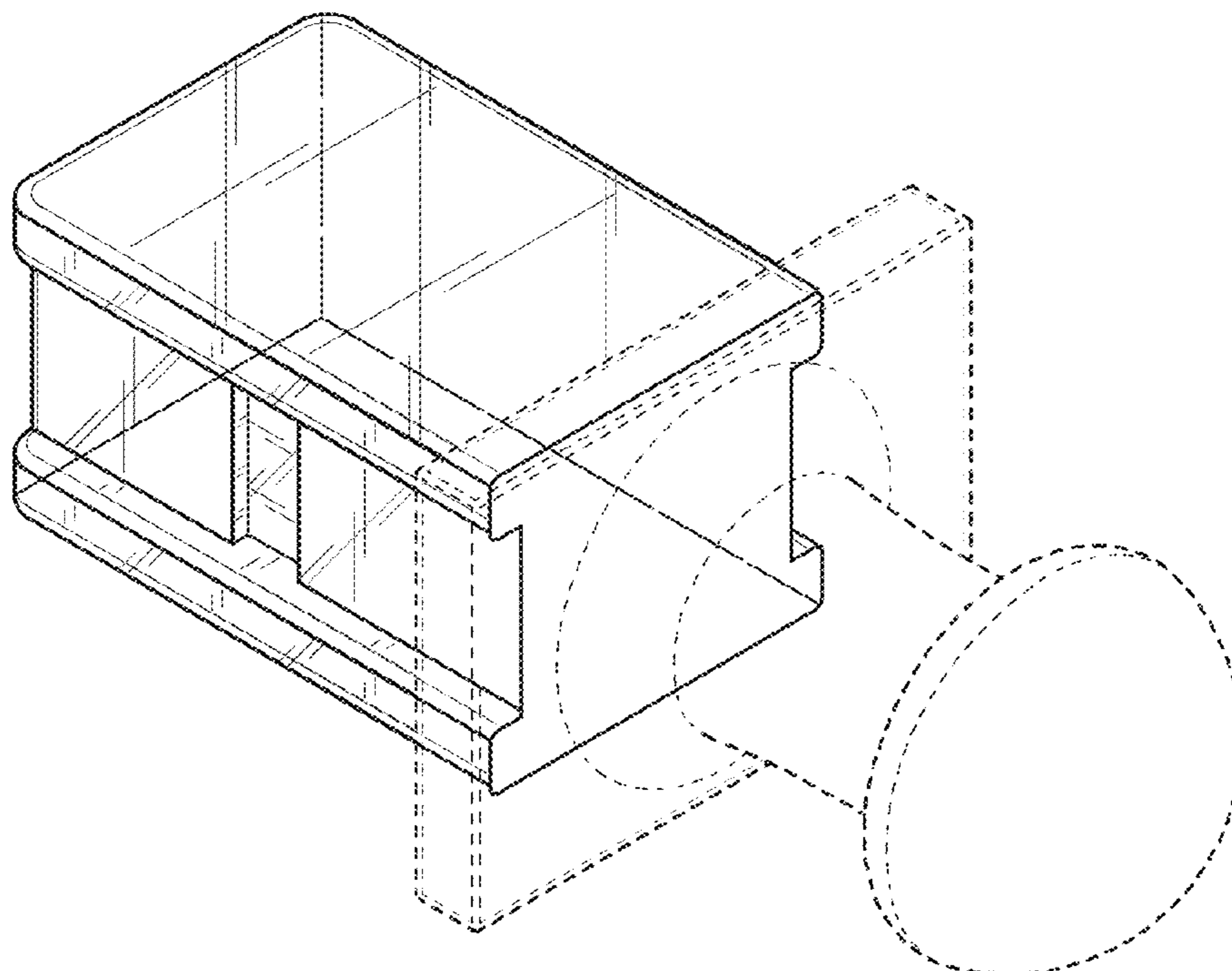
(56) **References Cited**

U.S. PATENT DOCUMENTS

D868,704 S *	12/2019	DeJong	D13/156
D874,402 S *	2/2020	Kim	D13/133
D883,231 S *	5/2020	DeJong	D13/156
D900,755 S *	11/2020	Kurita	D13/154
2021/0080658 A1 *	3/2021	Hempstead	G02B 6/4405
2021/0173152 A1 *	6/2021	Inaba	G02B 6/3849

* cited by examiner

1 Claim, 18 Drawing Sheets



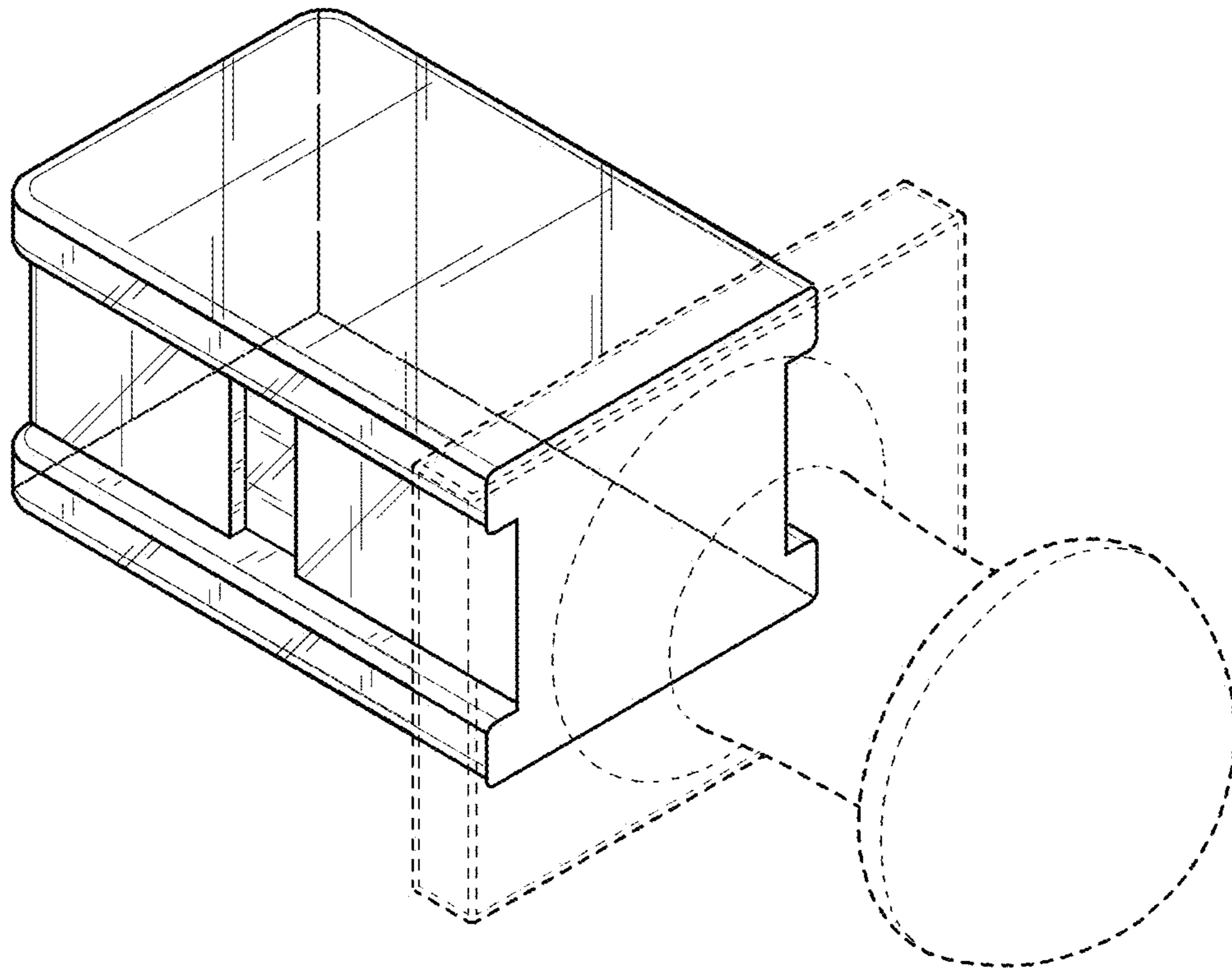


FIG. 1

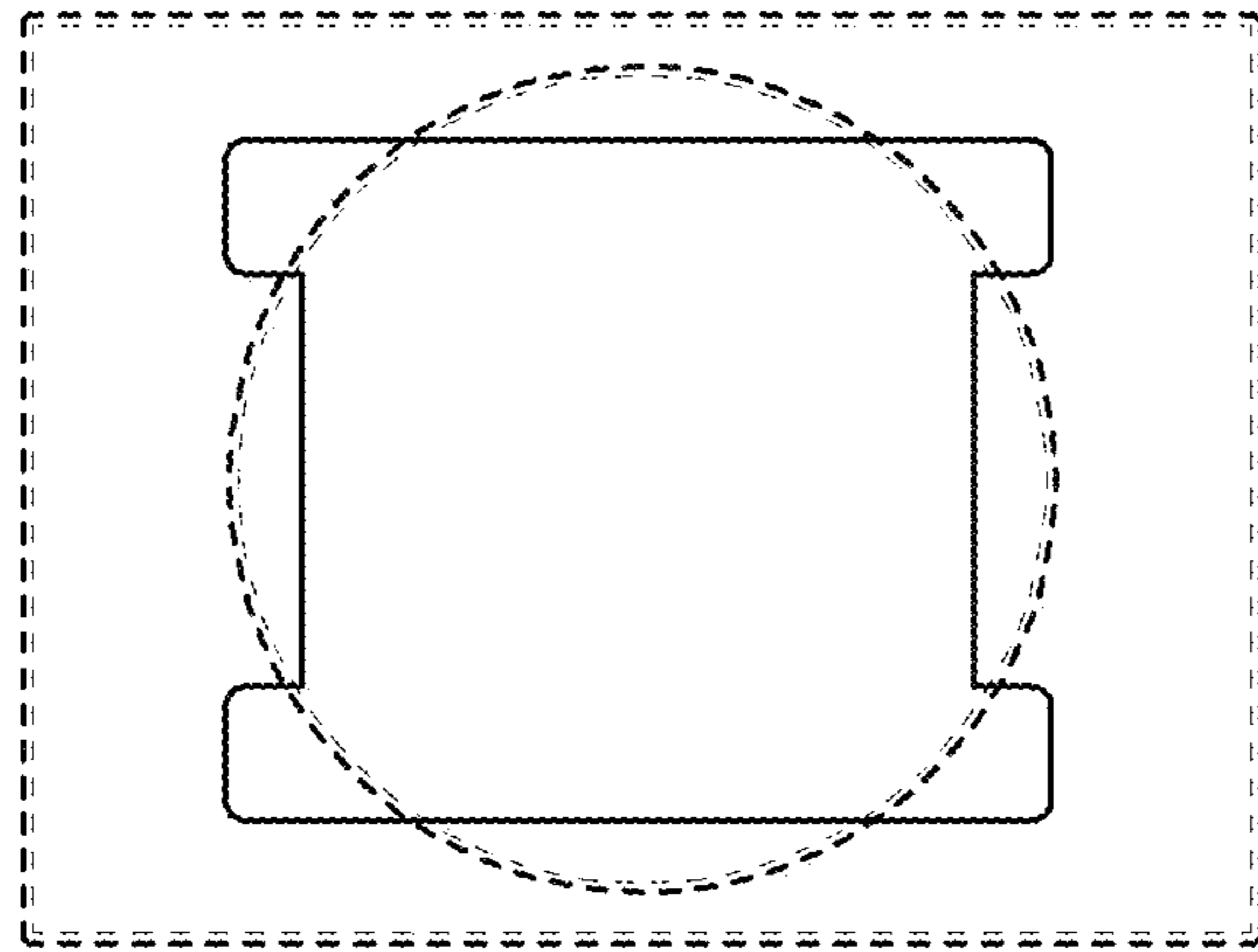


FIG. 2

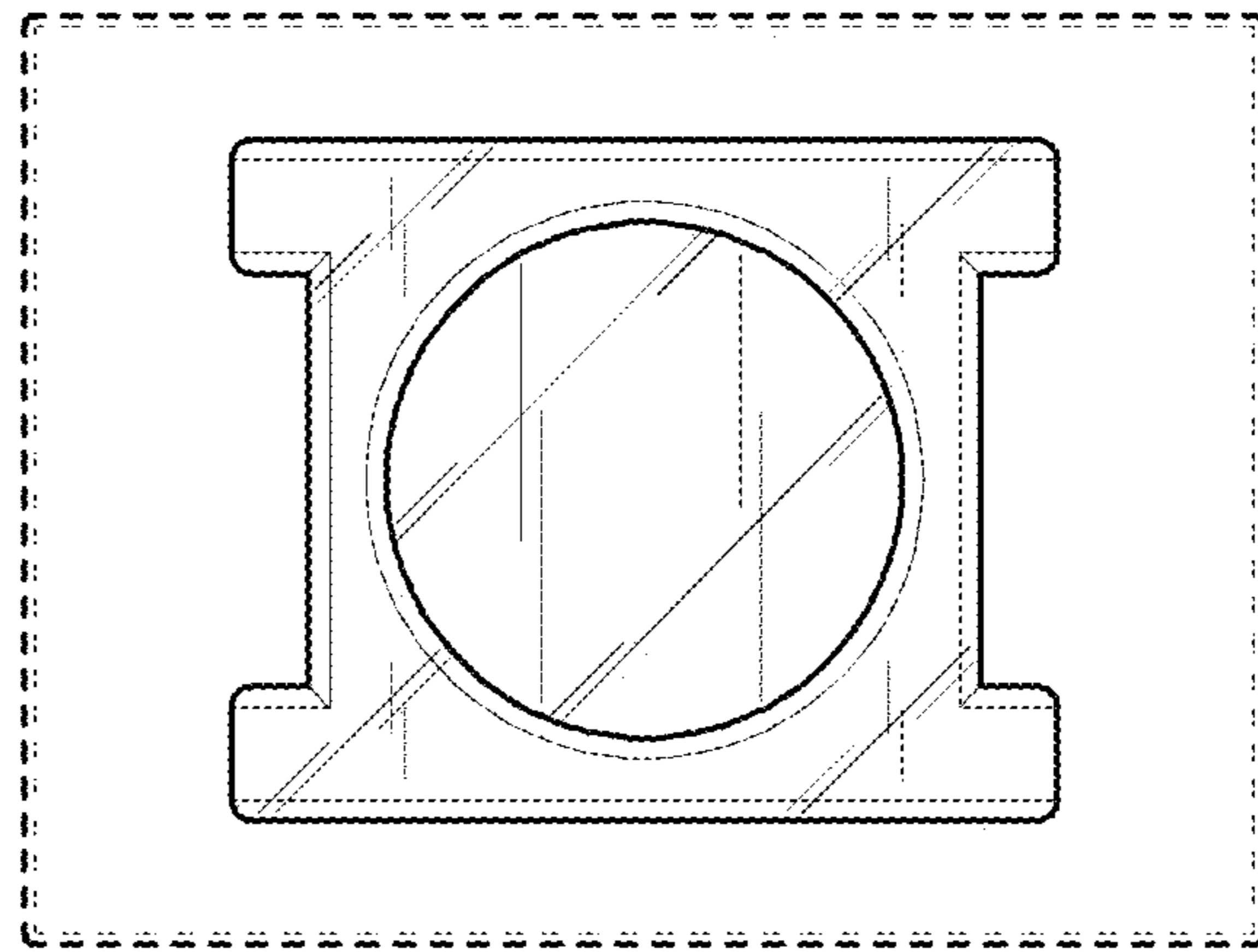


FIG. 3

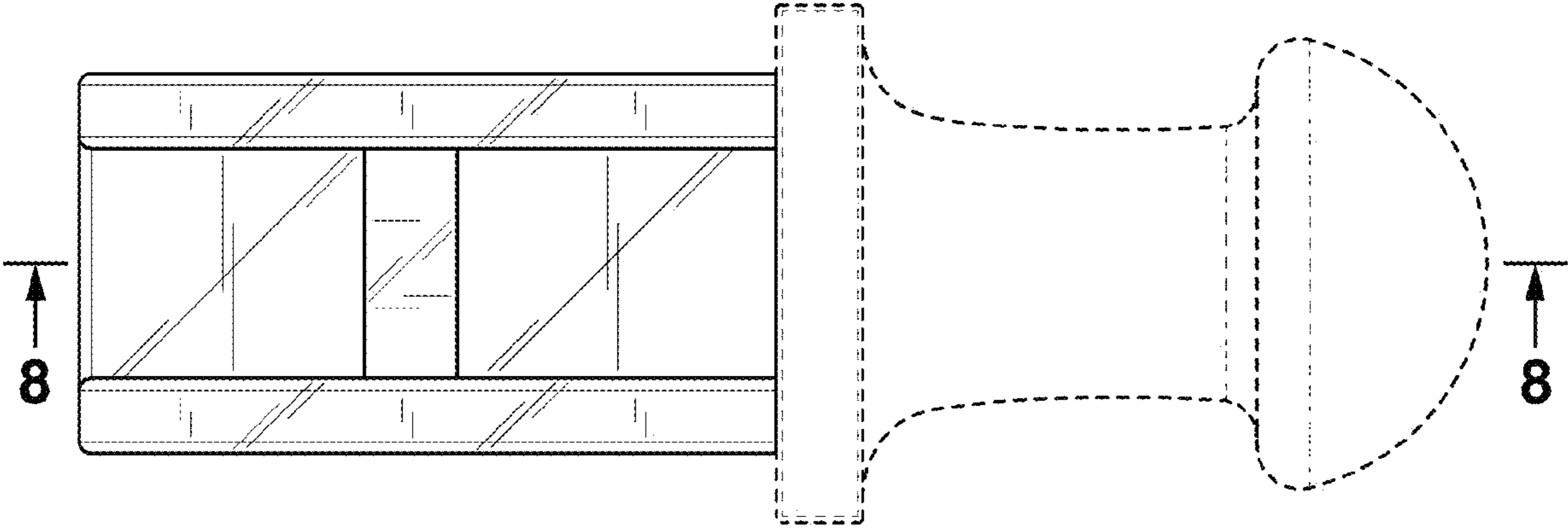


FIG. 4

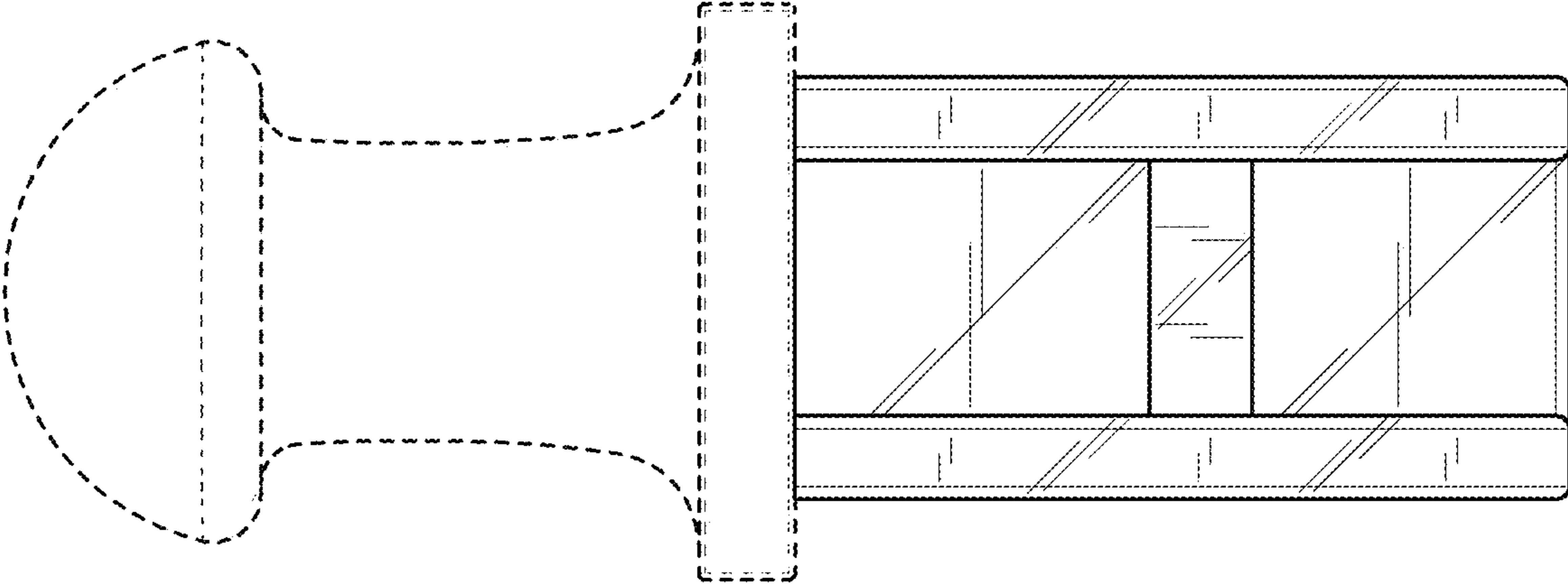


FIG. 5

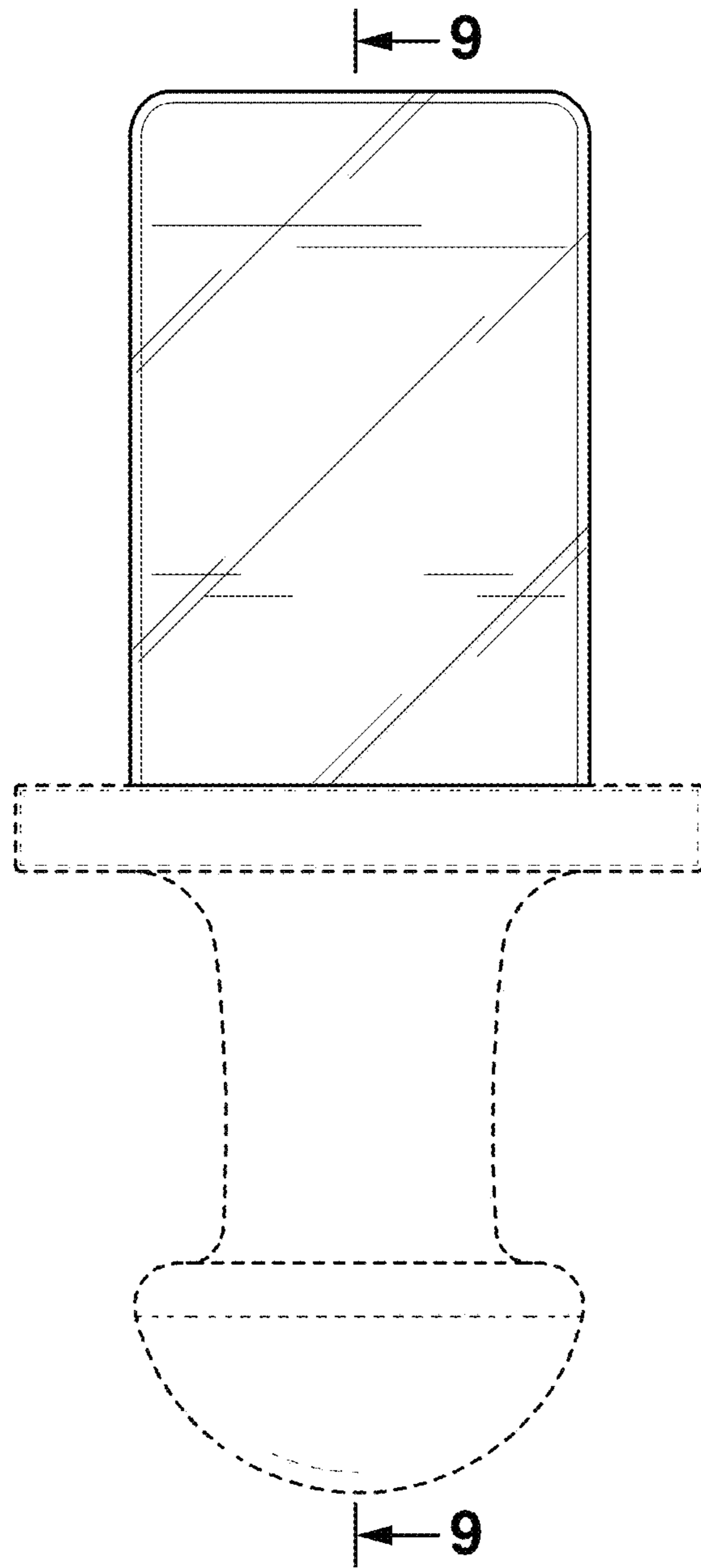


FIG. 6

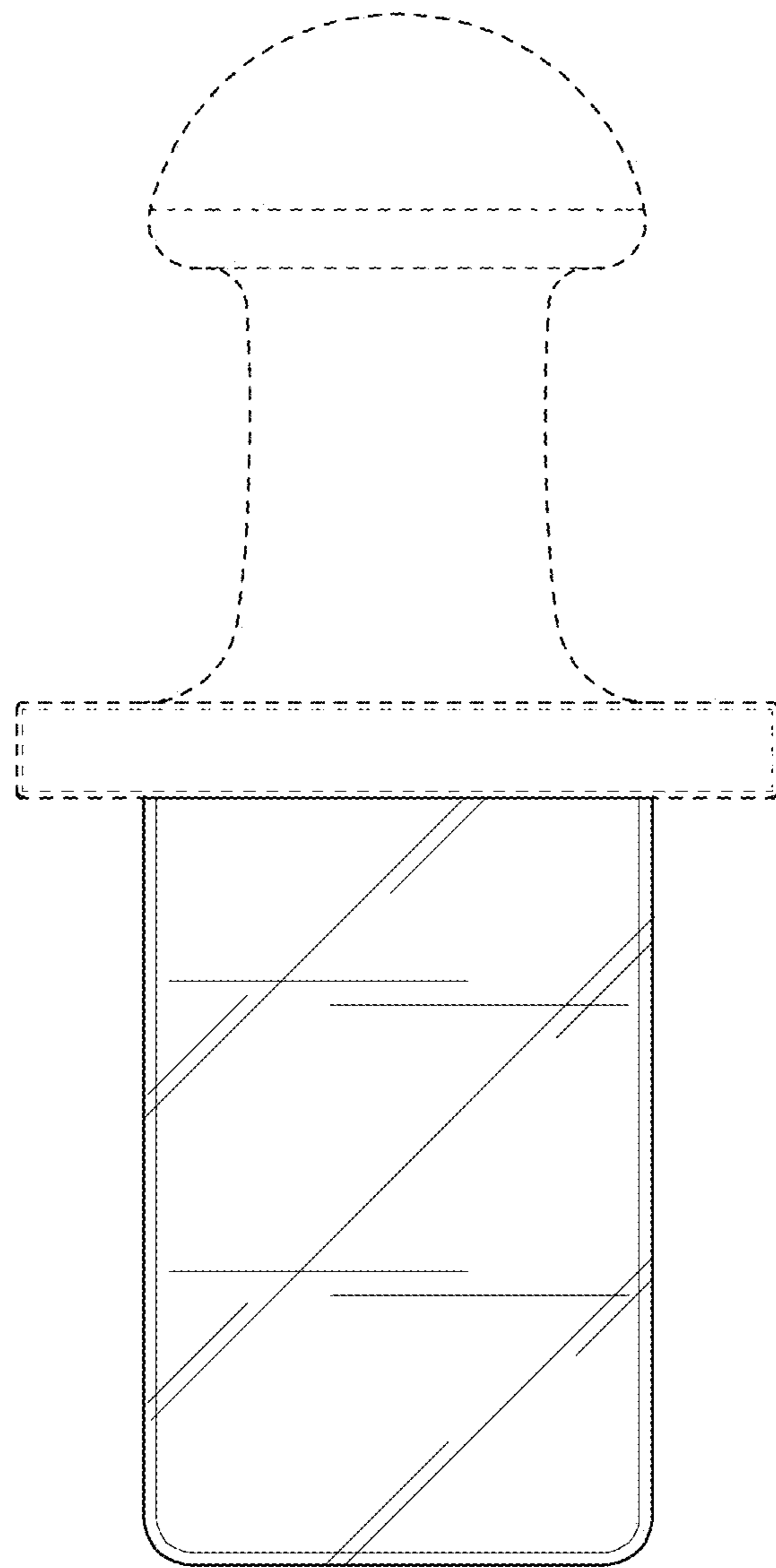


FIG. 7

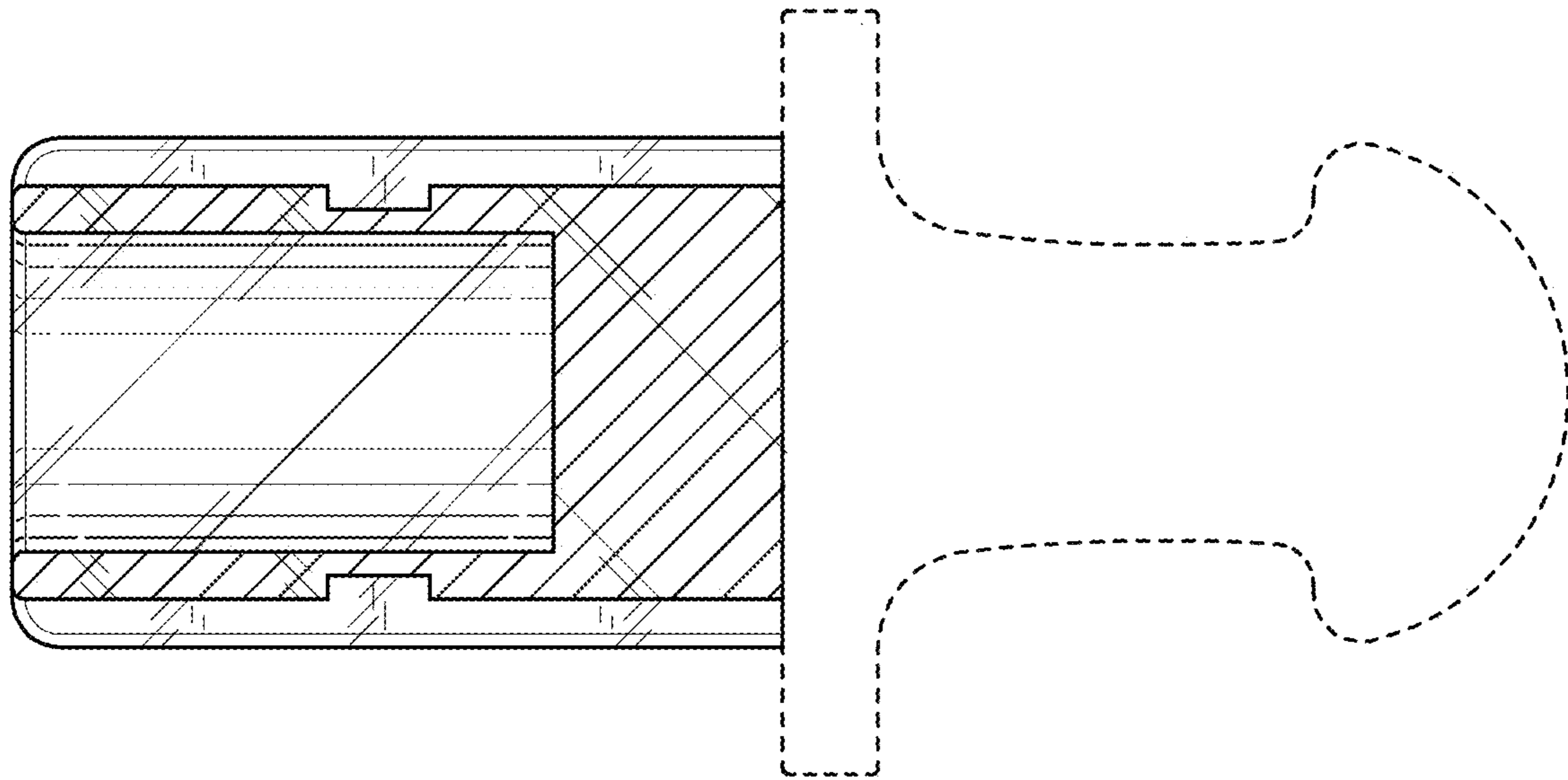


FIG. 8

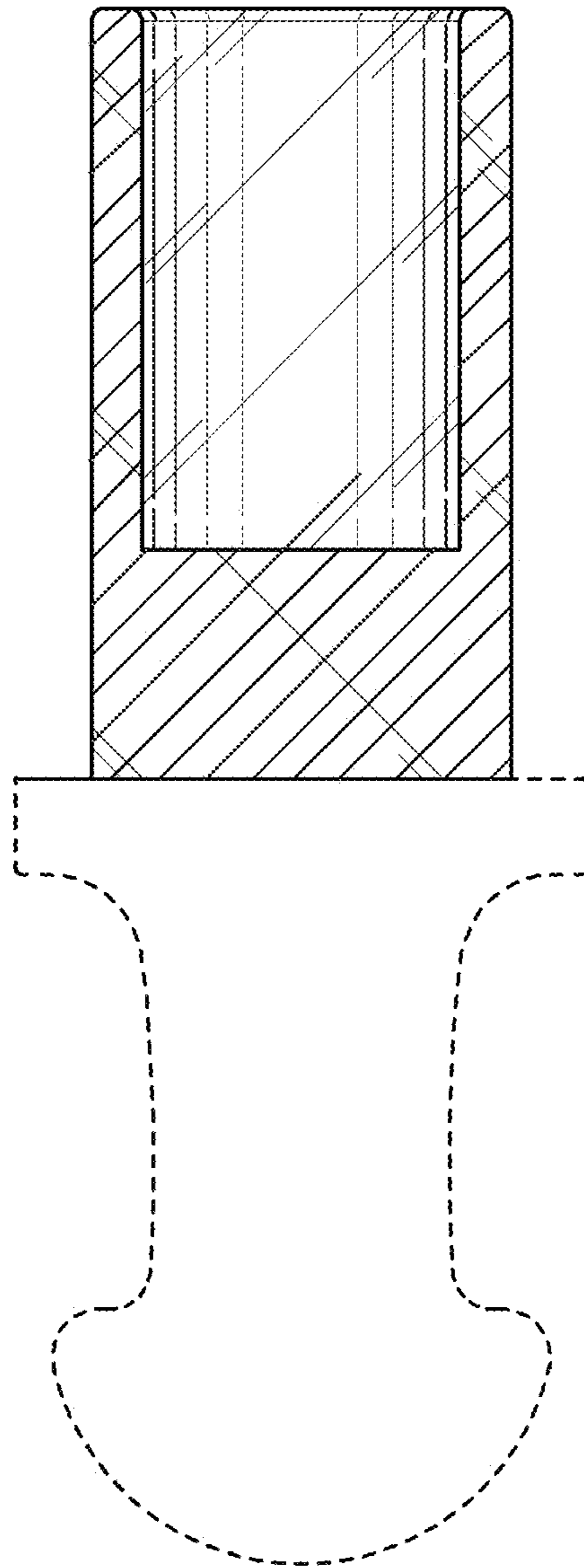


FIG. 9

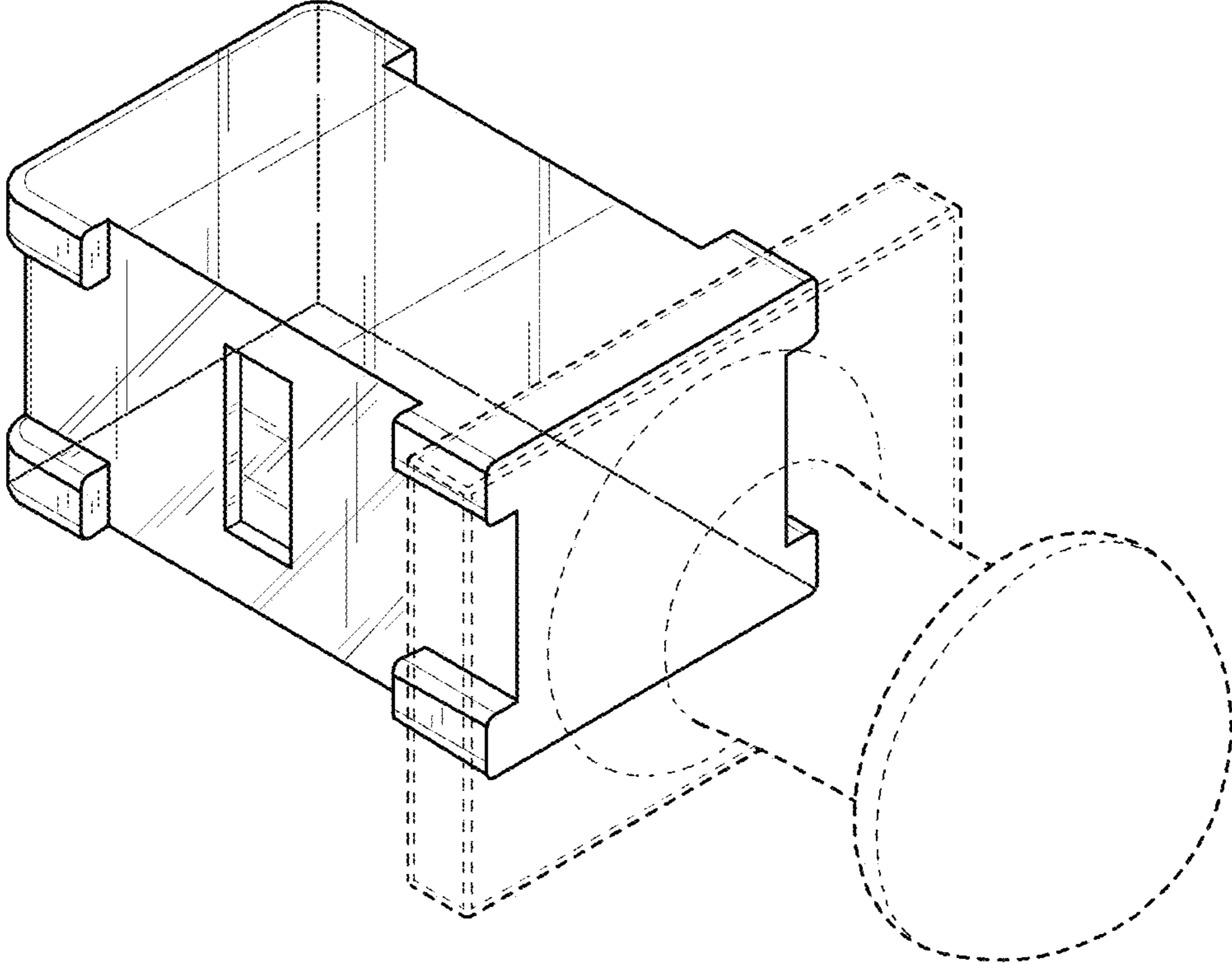


FIG. 10

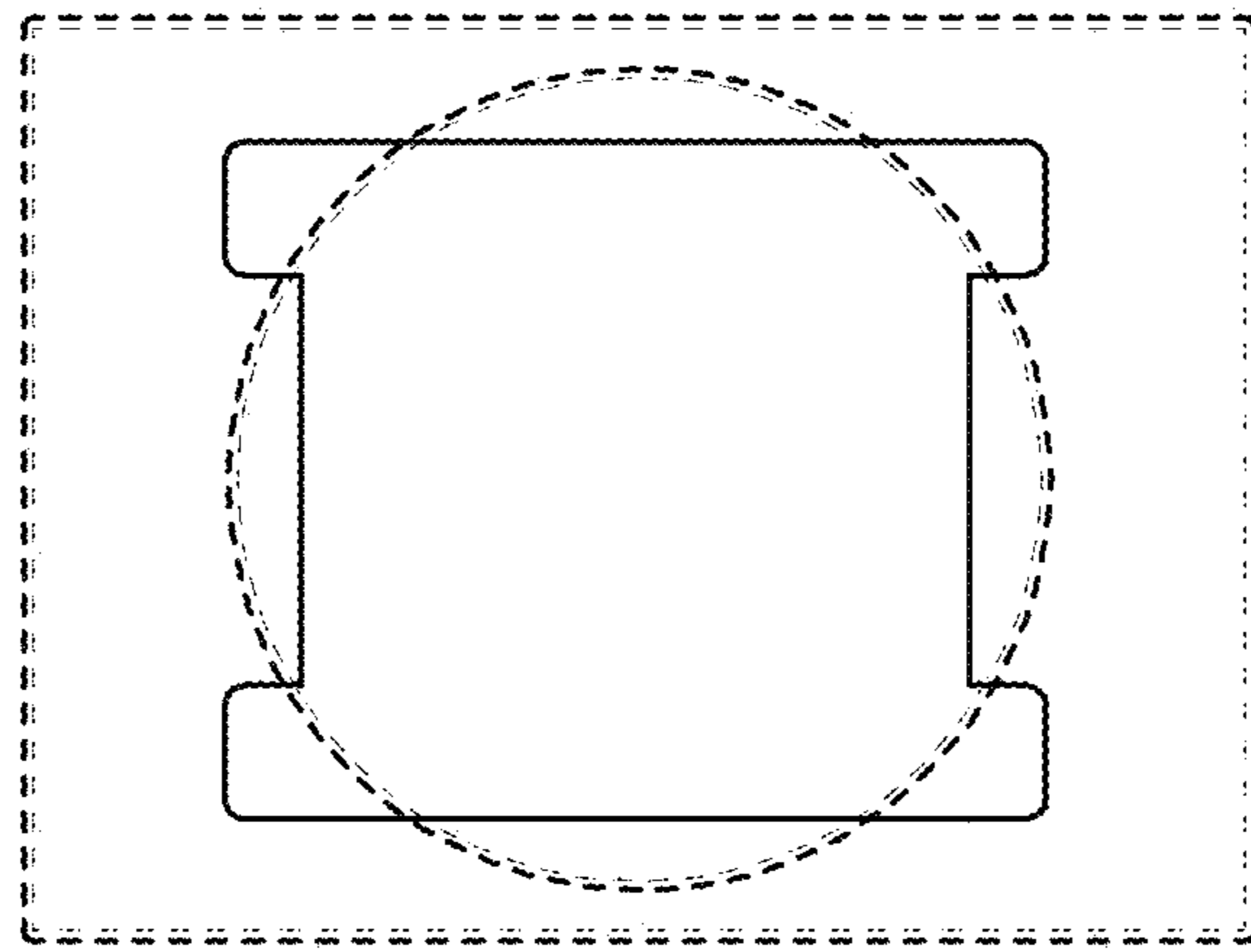


FIG. 11

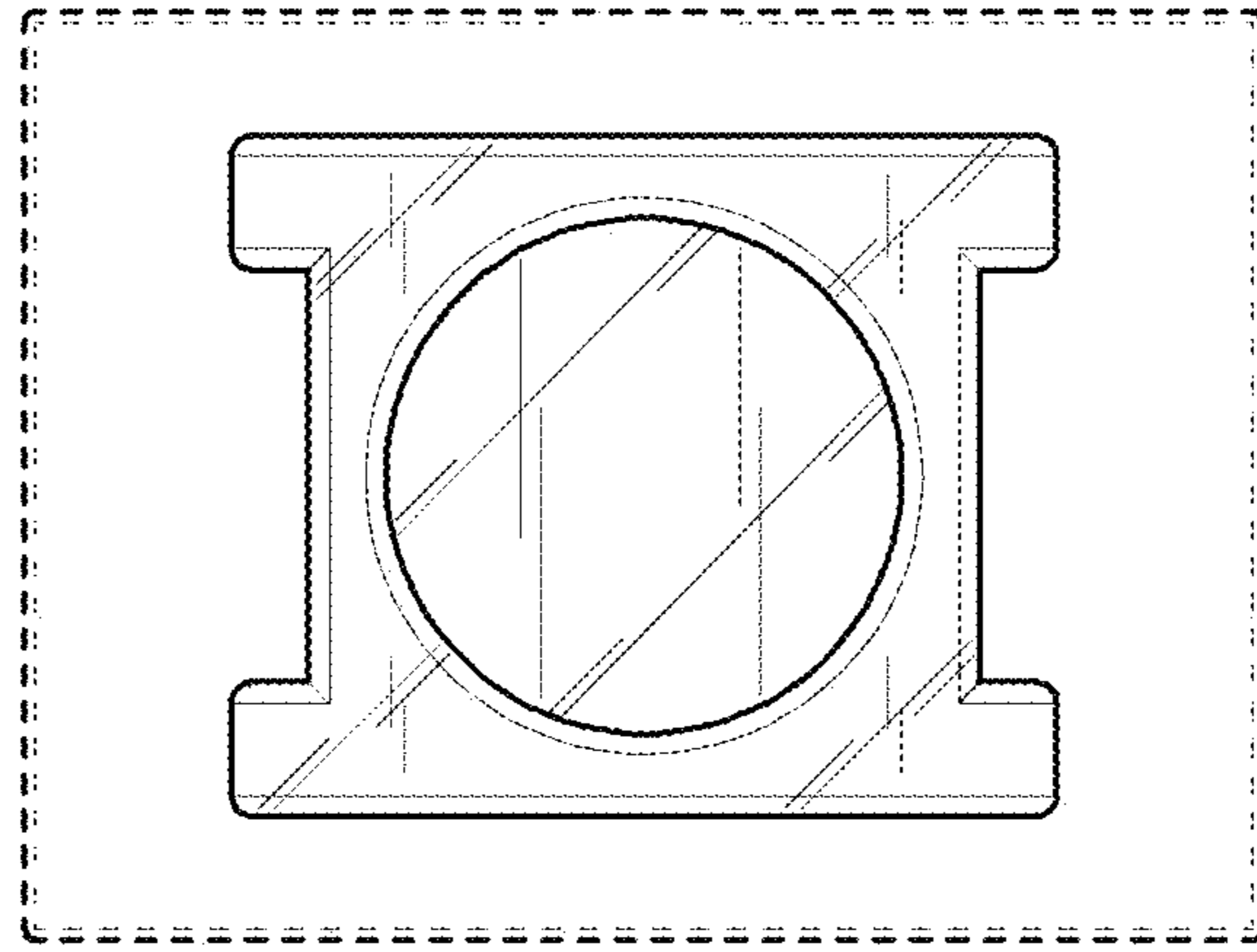


FIG. 12

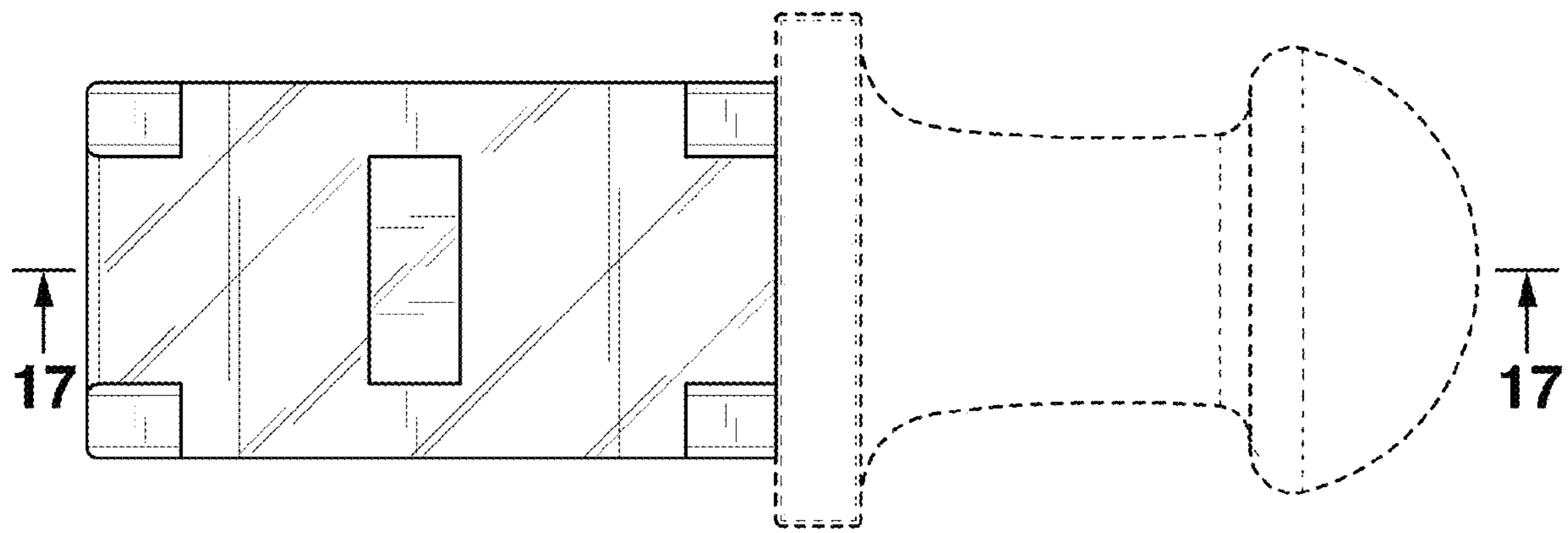


FIG. 13

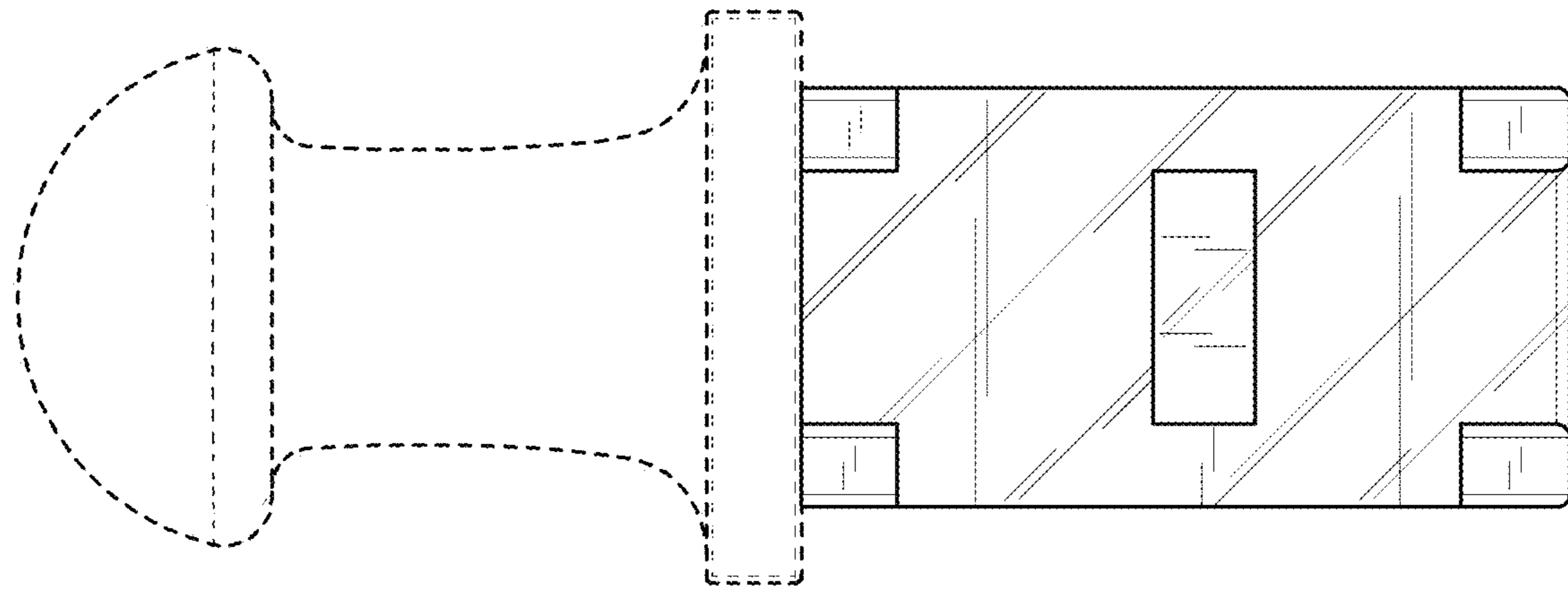


FIG. 14

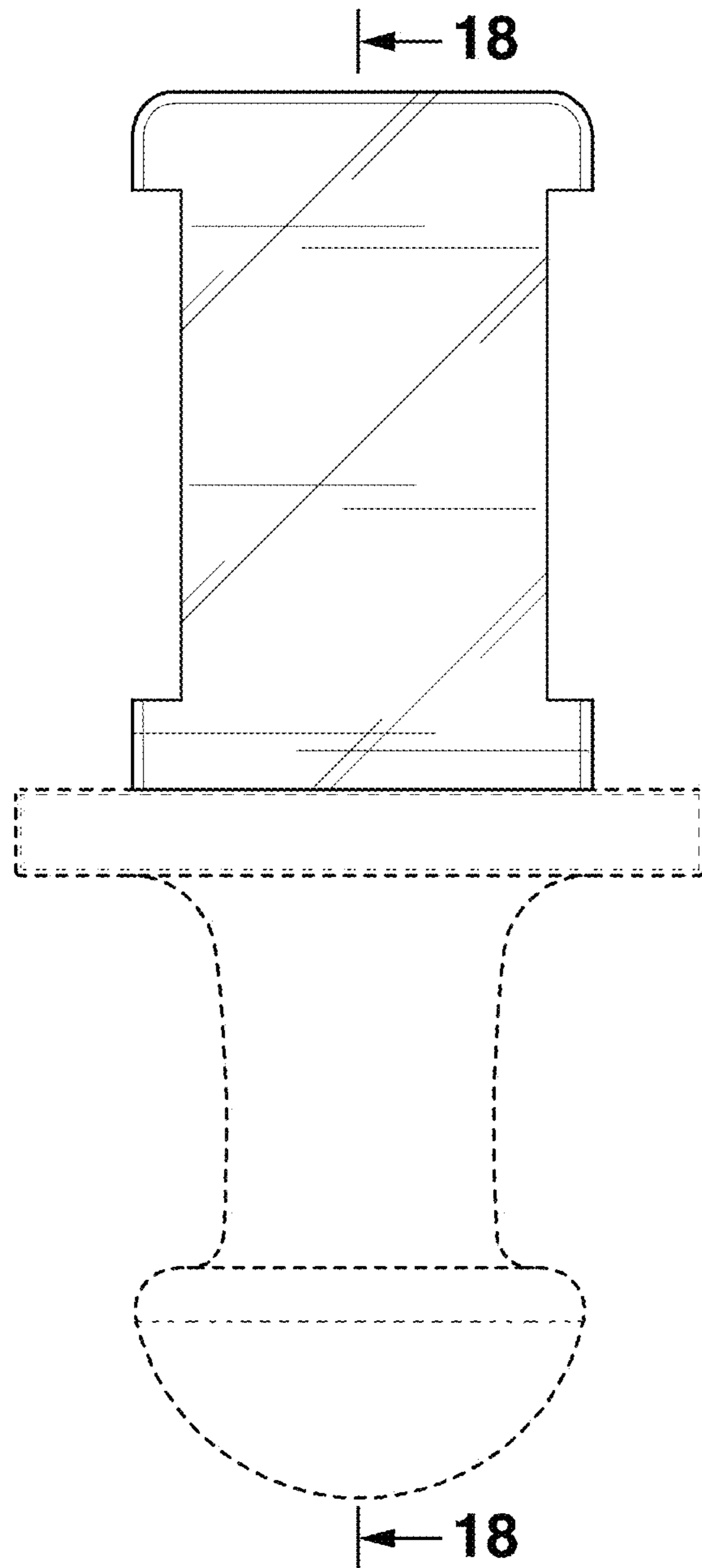


FIG. 15

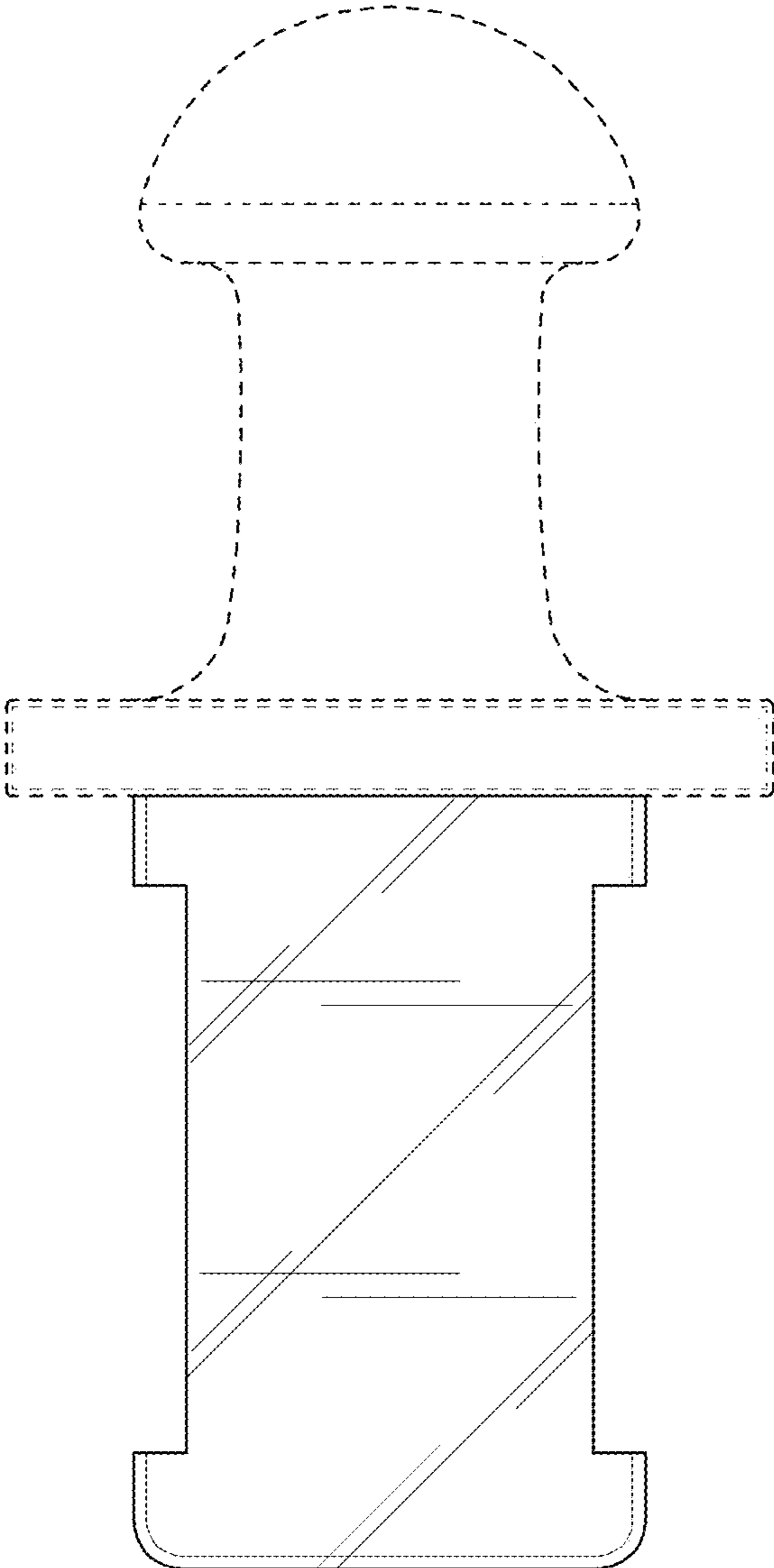


FIG. 16

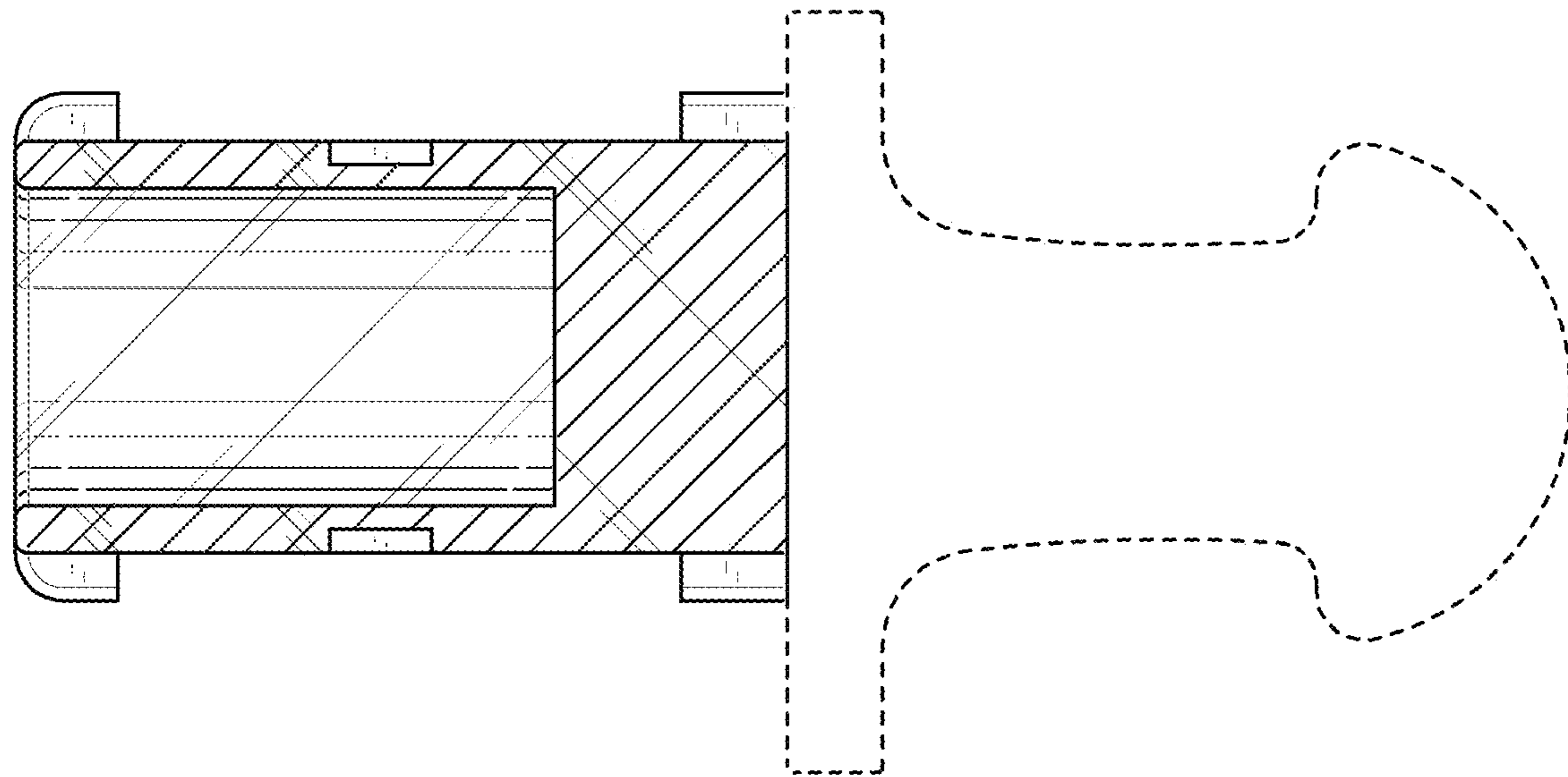


FIG. 17

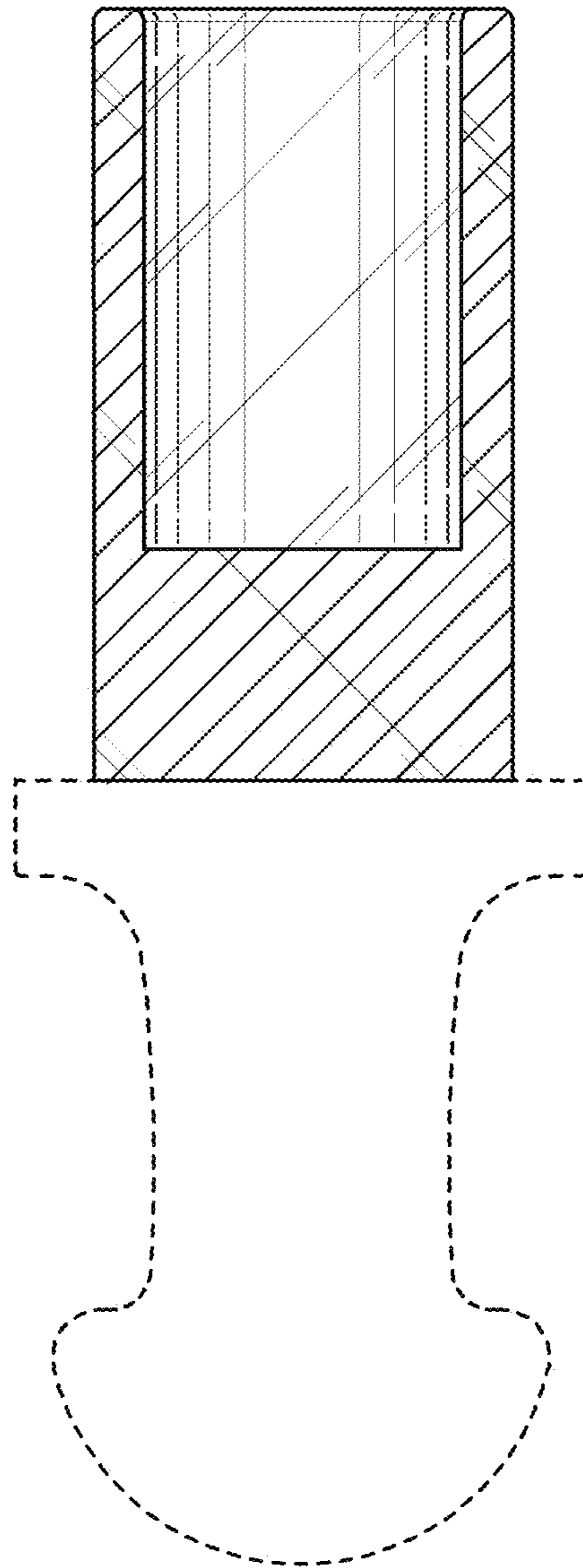


FIG. 18