



US00D938367S

(12) **United States Design Patent**
Smith

(10) **Patent No.:** **US D938,367 S**

(45) **Date of Patent:** **** Dec. 14, 2021**

(54) **DUST CAP FOR FIBER OPTIC ADAPTERS**

(71) Applicant: **Jack William Smith**, East Gull Lake,
MN (US)

(72) Inventor: **Jack William Smith**, East Gull Lake,
MN (US)

(**) Term: **15 Years**

(21) Appl. No.: **29/749,814**

(22) Filed: **Sep. 9, 2020**

Related U.S. Application Data

(62) Division of application No. 29/627,295, filed on Nov.
25, 2017, now Pat. No. Des. 913,965.

(51) **LOC (13) Cl.** **13-02**

(52) **U.S. Cl.**
USPC **D13/156**

(58) **Field of Classification Search**
USPC D13/155, 153, 133, 156, 139.4, 139.1,
D13/108, 147, 154, 199
CPC G02B 6/3849; H01R 13/5213
See application file for complete search history.

(56) **References Cited**

U.S. PATENT DOCUMENTS

D613,291 S * 4/2010 Carver D14/432
D653,521 S * 2/2012 Wike D8/310

D855,434 S * 8/2019 Groleski D8/310
D863,222 S * 10/2019 Kimmel D13/133
D868,704 S * 12/2019 DeJong D13/156
D874,402 S * 2/2020 Kim D13/133
D883,231 S * 5/2020 DeJong D13/156
D924,147 S * 7/2021 C D13/133
2021/0080658 A1* 3/2021 Hempstead G02B 6/4405
2021/0173152 A1* 6/2021 Inaba G02B 6/3849

* cited by examiner

Primary Examiner — Jennifer O King

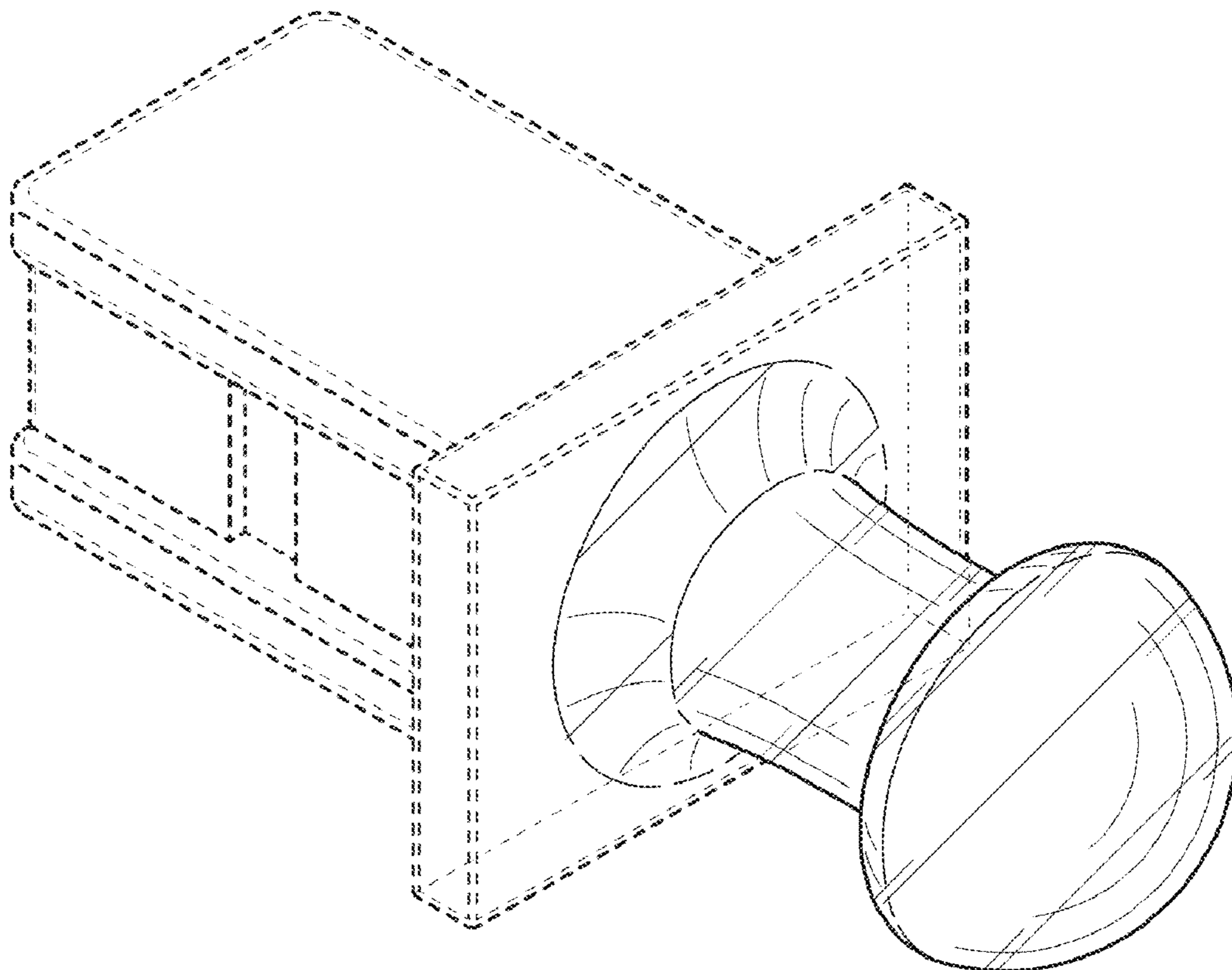
(57) **CLAIM**

I claim the ornamental design for a dust cap for fiber optic adapters, as shown and described.

DESCRIPTION

FIG. 1 is a perspective view of a dust cap for fiber optic adapters;
FIG. 2 is a front elevation view thereof;
FIG. 3 is a back elevation view thereof;
FIG. 4 is a left side elevation view thereof;
FIG. 5 is a right side elevation view thereof;
FIG. 6 is a top plan view thereof;
FIG. 7 is a bottom plan view thereof;
FIG. 8 is a center section view taken from FIG. 4 thereof;
and,
FIG. 9 is a center section view taken from FIG. 6 thereof.
The broken lines shown represent portions of the dust cap for fiber optic adapters that form no part of the claimed design.

1 Claim, 9 Drawing Sheets



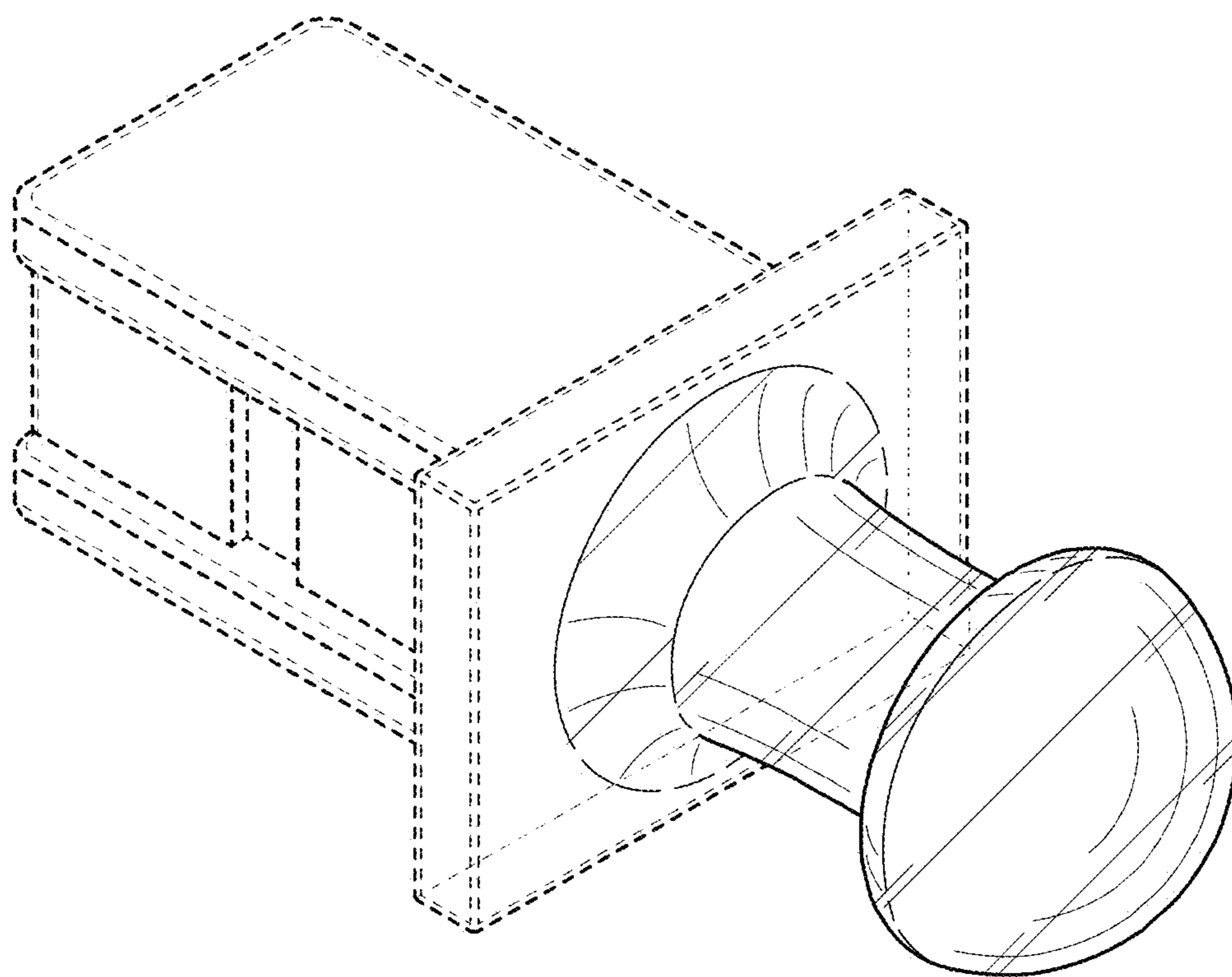


FIG. 1

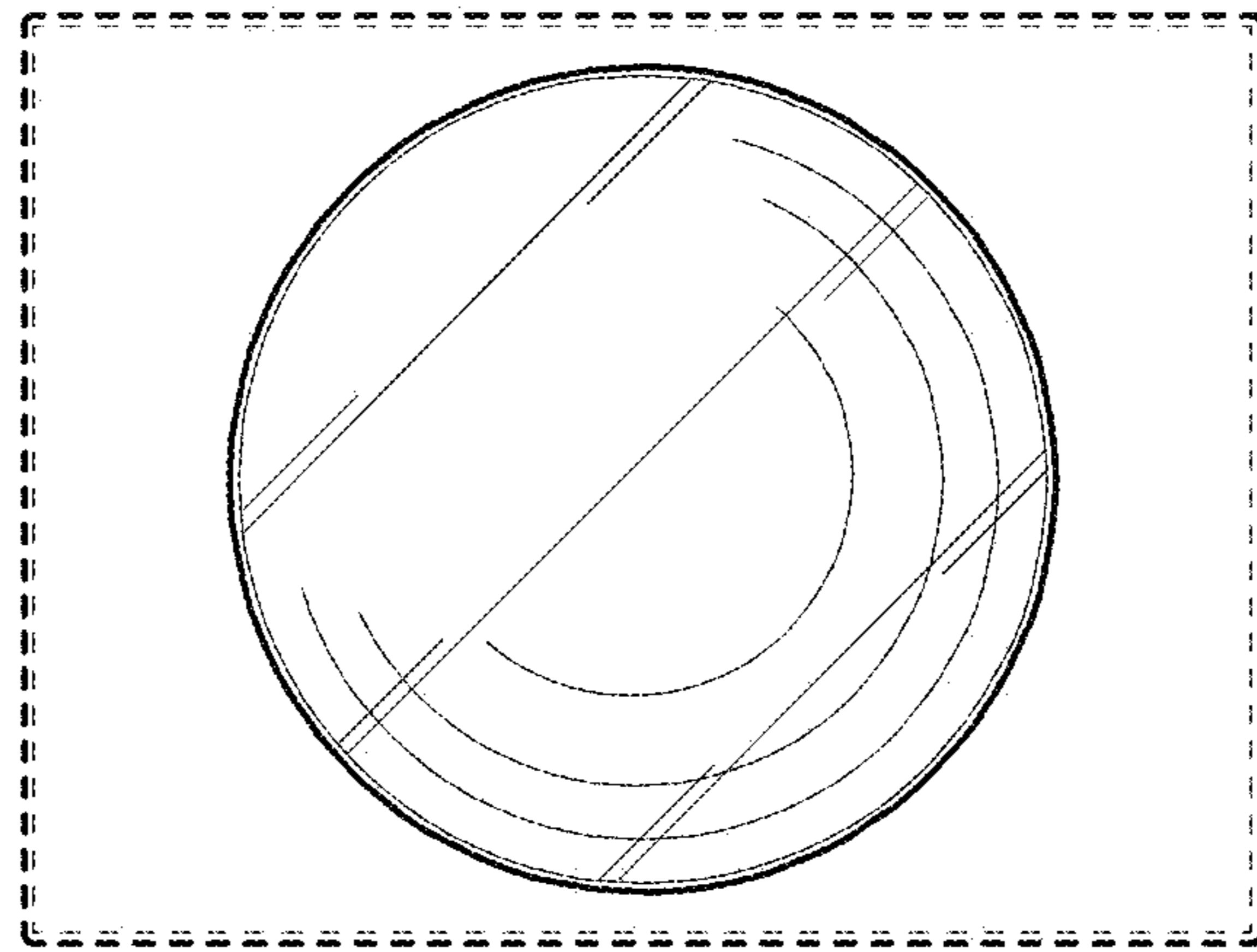


FIG. 2

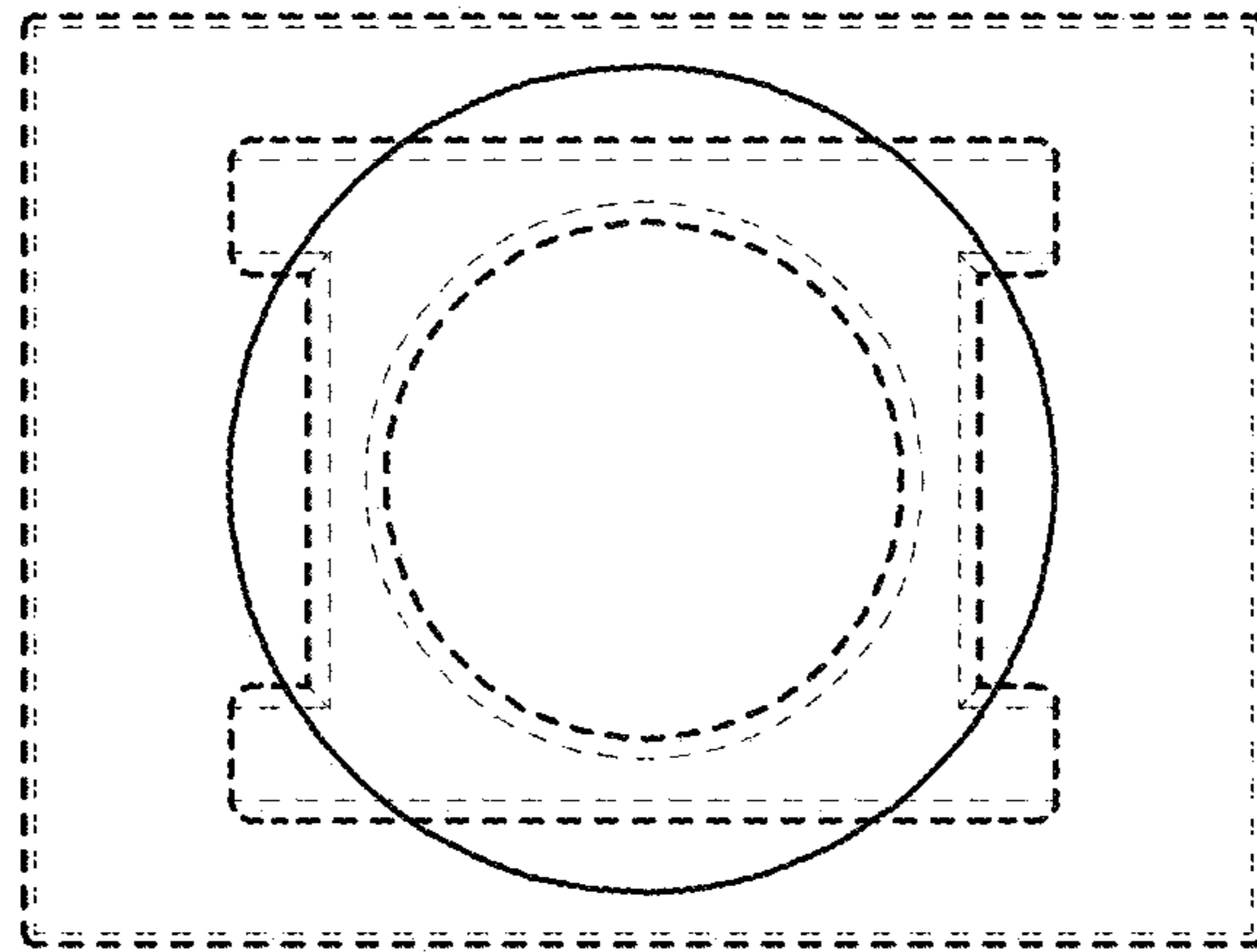


FIG. 3

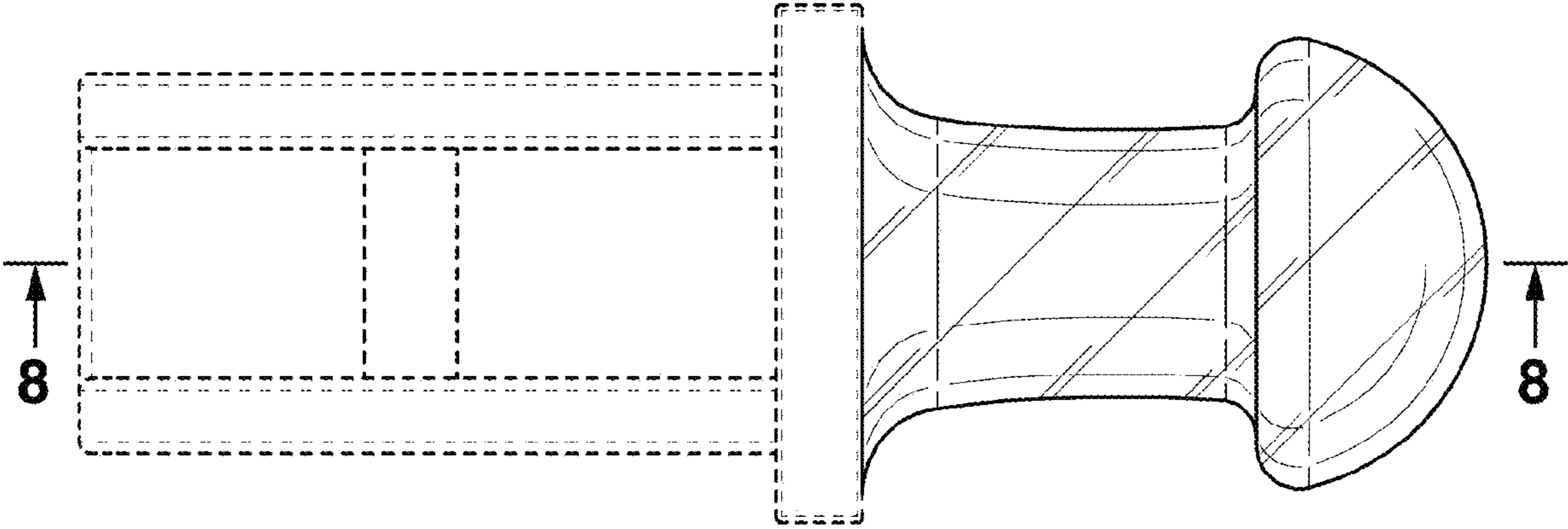


FIG. 4

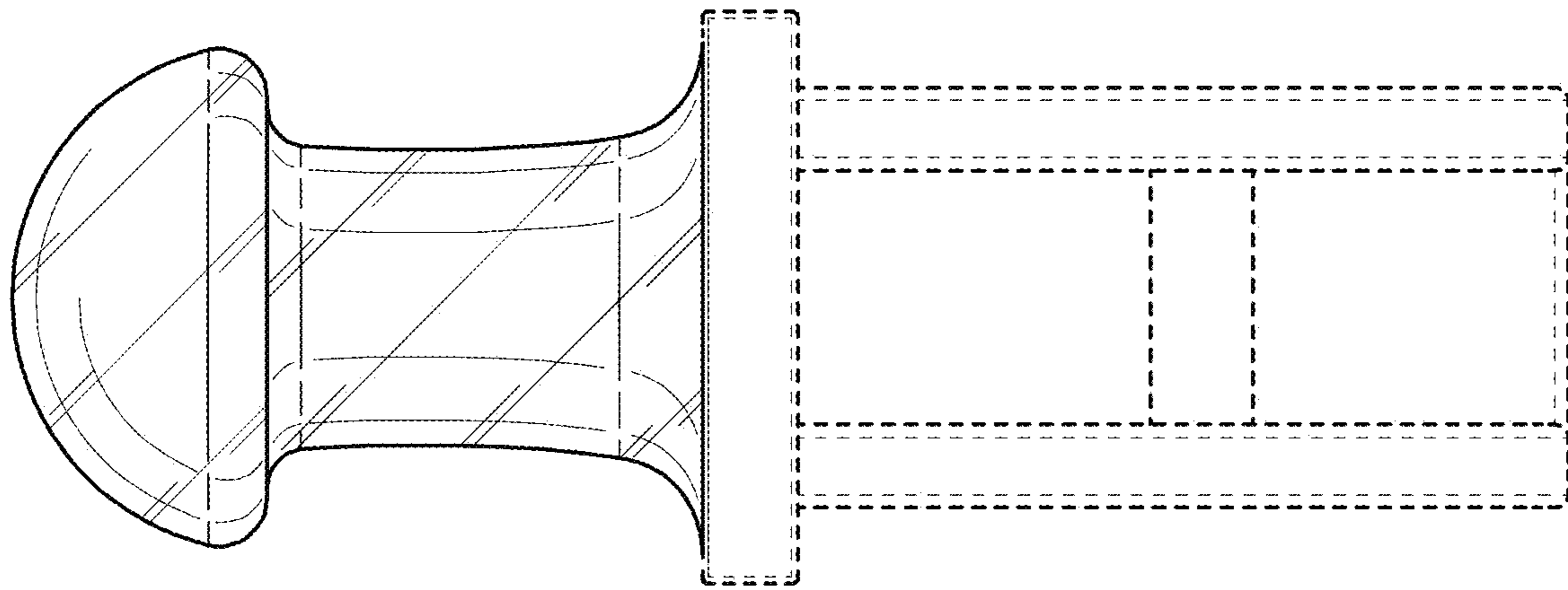


FIG. 5

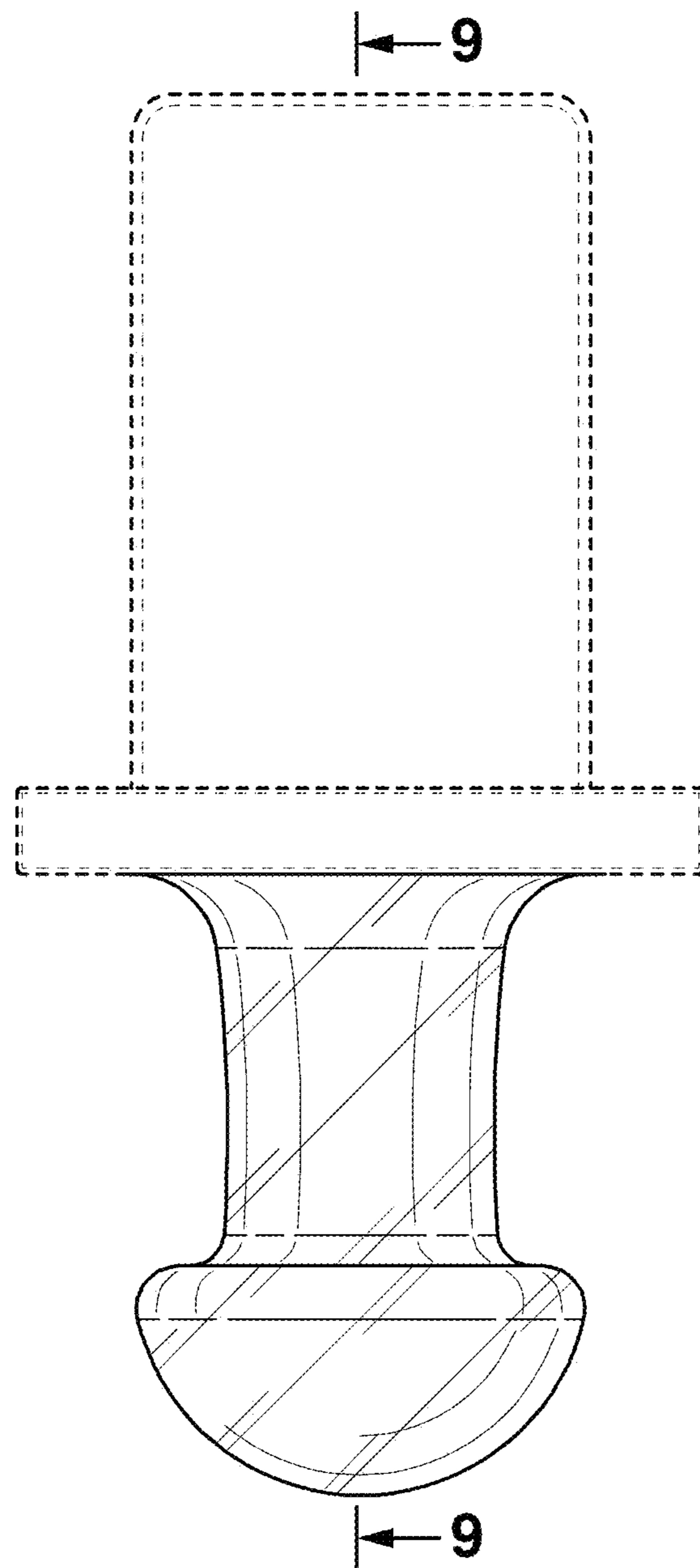


FIG. 6

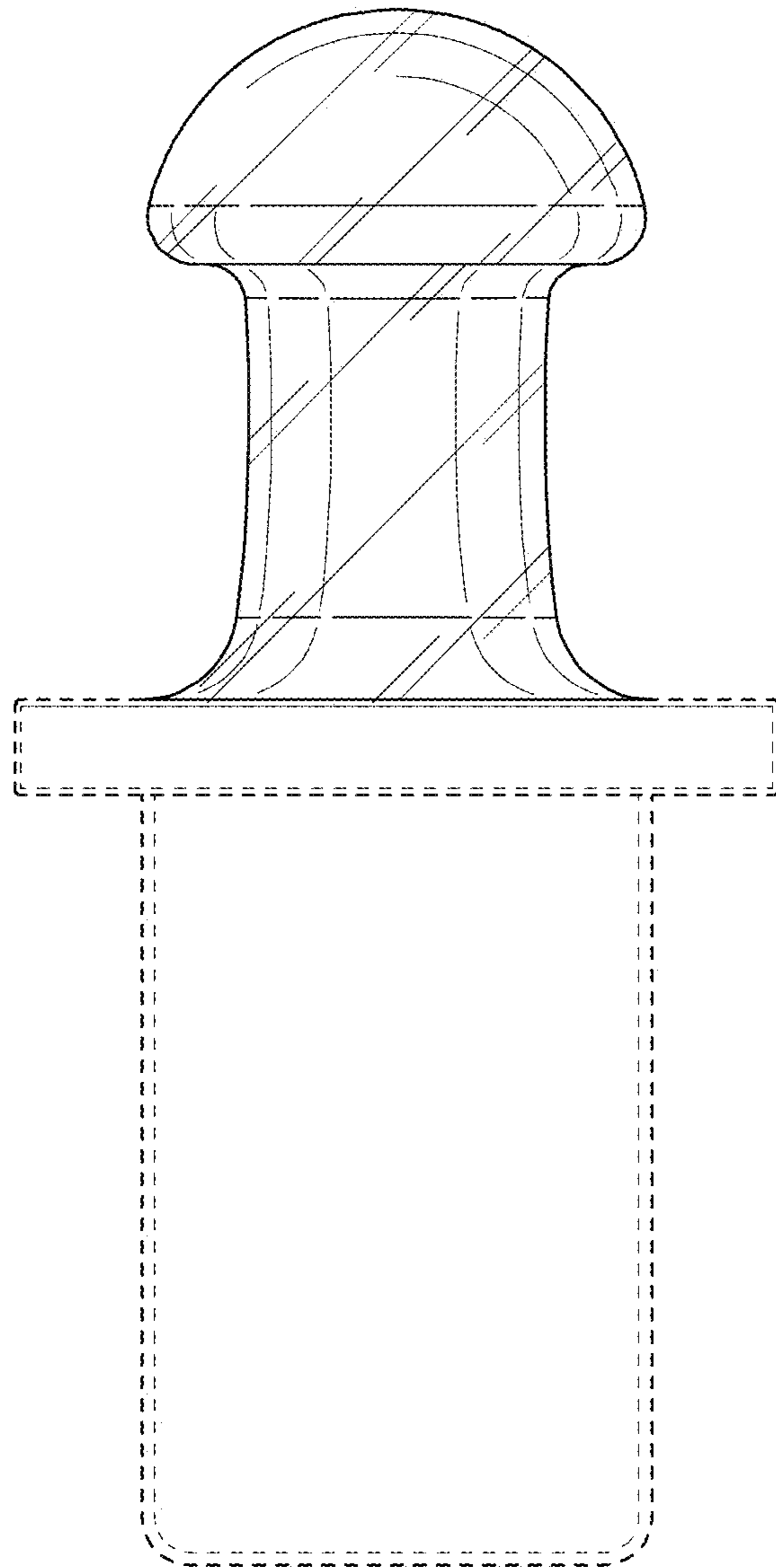


FIG. 7

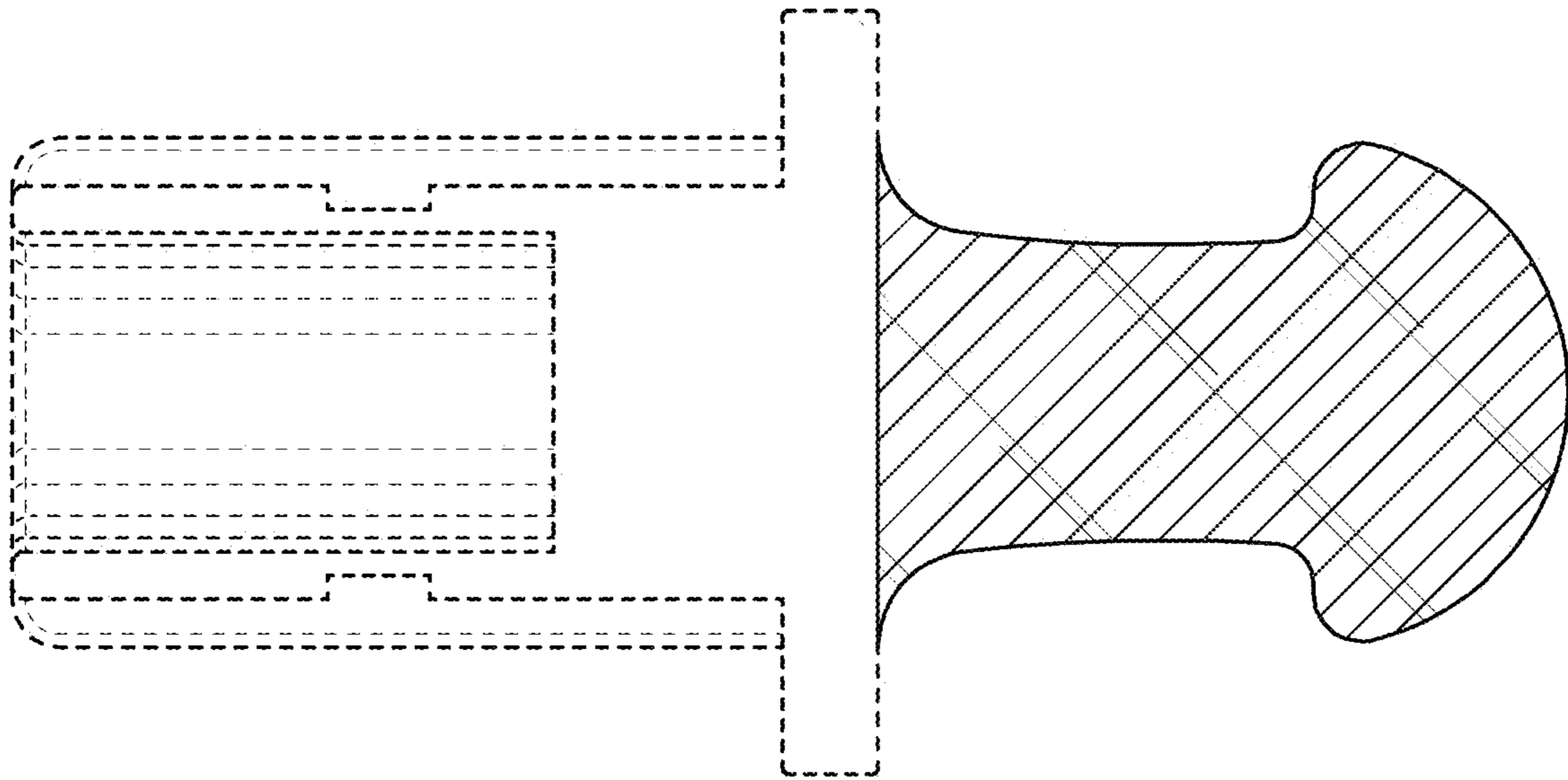


FIG. 8

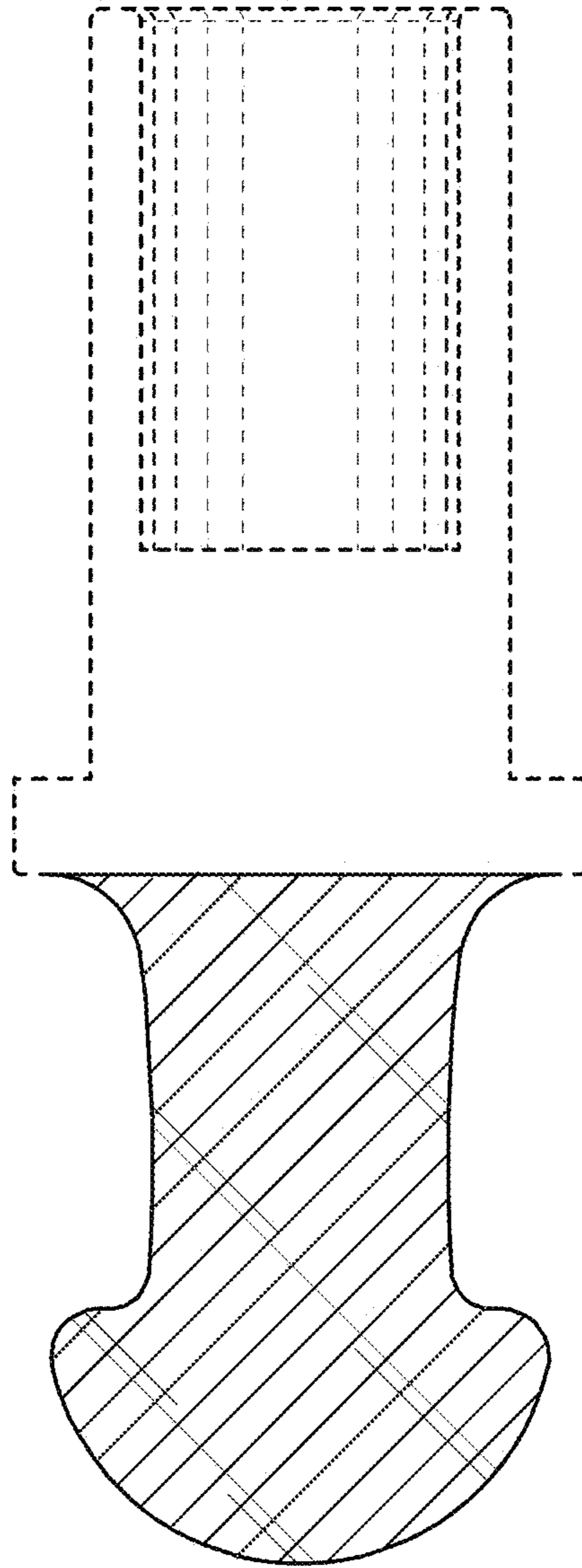


FIG. 9