



US00D938366S

(12) **United States Design Patent** (10) **Patent No.:** **US D938,366 S**
Smith (45) **Date of Patent:** **** Dec. 14, 2021**

(54) **DUST CAP FLANGE FOR FIBER OPTIC ADAPTERS**

(71) Applicant: **Jack William Smith**, East Gull Lake, MN (US)

(72) Inventor: **Jack William Smith**, East Gull Lake, MN (US)

(**) Term: **15 Years**

(21) Appl. No.: **29/627,296**

(22) Filed: **Nov. 25, 2017**

(51) **LOC (13) Cl.** **13-03**

(52) **U.S. Cl.**
USPC **D13/156**

(58) **Field of Classification Search**
USPC 385/49; 359/511, 513; 439/148;
D13/155, 153, 133, 156, 139.4, 139.1,
D13/108, 147, 154, 199
CPC G02B 6/3849; H01R 13/5213
See application file for complete search history.

(56) **References Cited**

U.S. PATENT DOCUMENTS

D459,318 S * 6/2002 Theuerkorn D13/199
6,398,422 B1 * 6/2002 Szilagyi G02B 6/3849
385/76
D572,661 S * 7/2008 En Lin D13/133
D675,508 S * 2/2013 Hirano D8/382

D772,170 S * 11/2016 Watanabe D13/156
2003/0002812 A1 * 1/2003 Lampert G02B 6/3849
385/78
2003/0002837 A1 * 1/2003 Chan G02B 6/42
385/134
2015/0277062 A1 * 10/2015 Xiao G02B 6/3849
385/78
2017/0285273 A1 * 10/2017 Abe G02B 6/3849

* cited by examiner

Primary Examiner — Jennifer O King

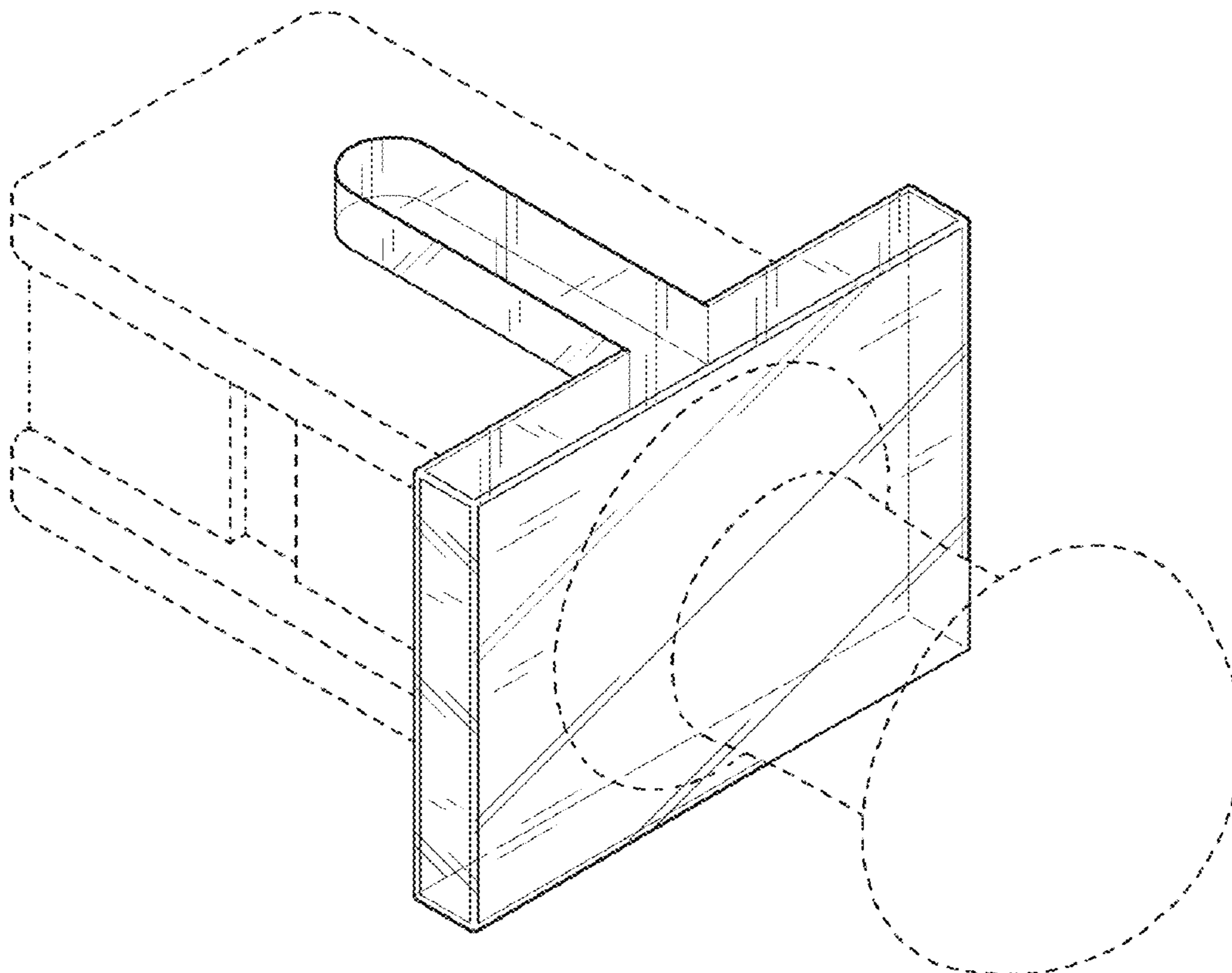
(57) **CLAIM**

The ornamental design for dust cap flange for fiber optic adapters, as shown and described.

DESCRIPTION

FIG. 1 is a perspective view of a dust cap flange for fiber optic adapters according to one embodiment of my new design;
FIG. 2 is a front elevation view thereof;
FIG. 3 is a back elevation view thereof;
FIG. 4 is a left side elevation view thereof;
FIG. 5 is a right side elevation view thereof;
FIG. 6 is a top plan view thereof;
FIG. 7 is a bottom plan view thereof;
FIG. 8 is a center section view thereof, taken from FIG. 4; and,
FIG. 9 is a another section view thereof, taken from FIG. 6.
The broken lines shown represent portions of the dust cap flange for fiber optic adapters that form no part of the claimed design.

1 Claim, 9 Drawing Sheets



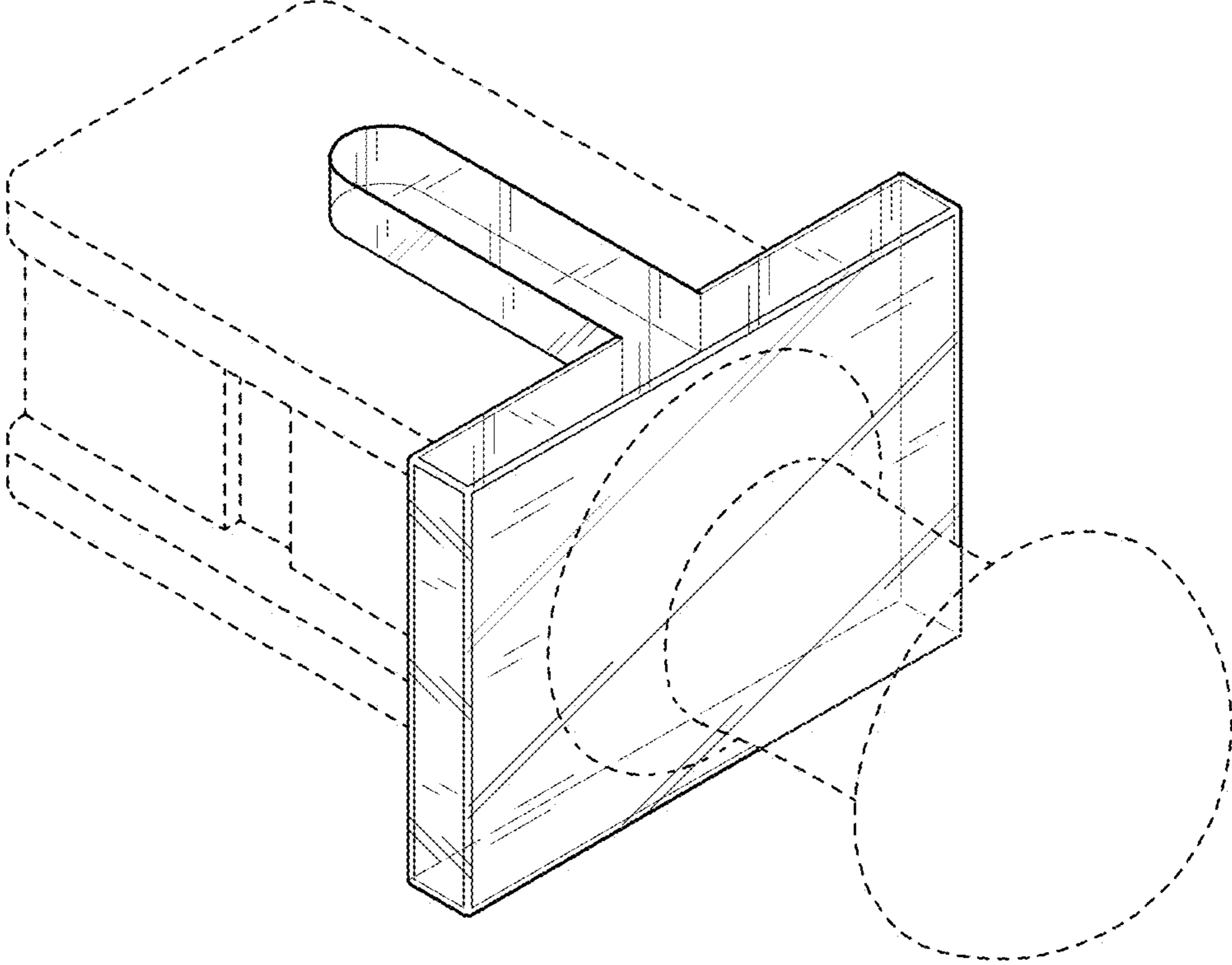


FIG. 1

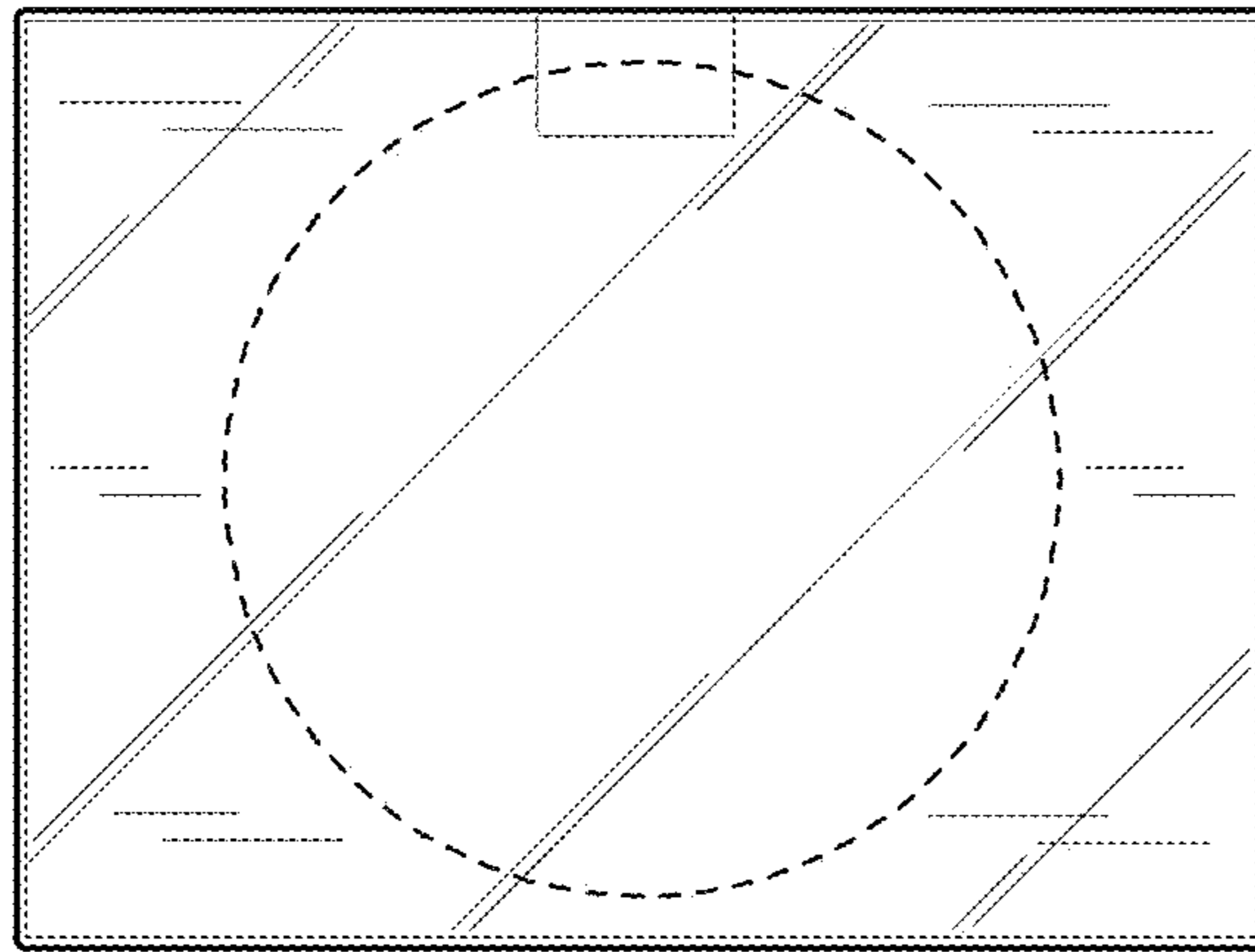


FIG. 2

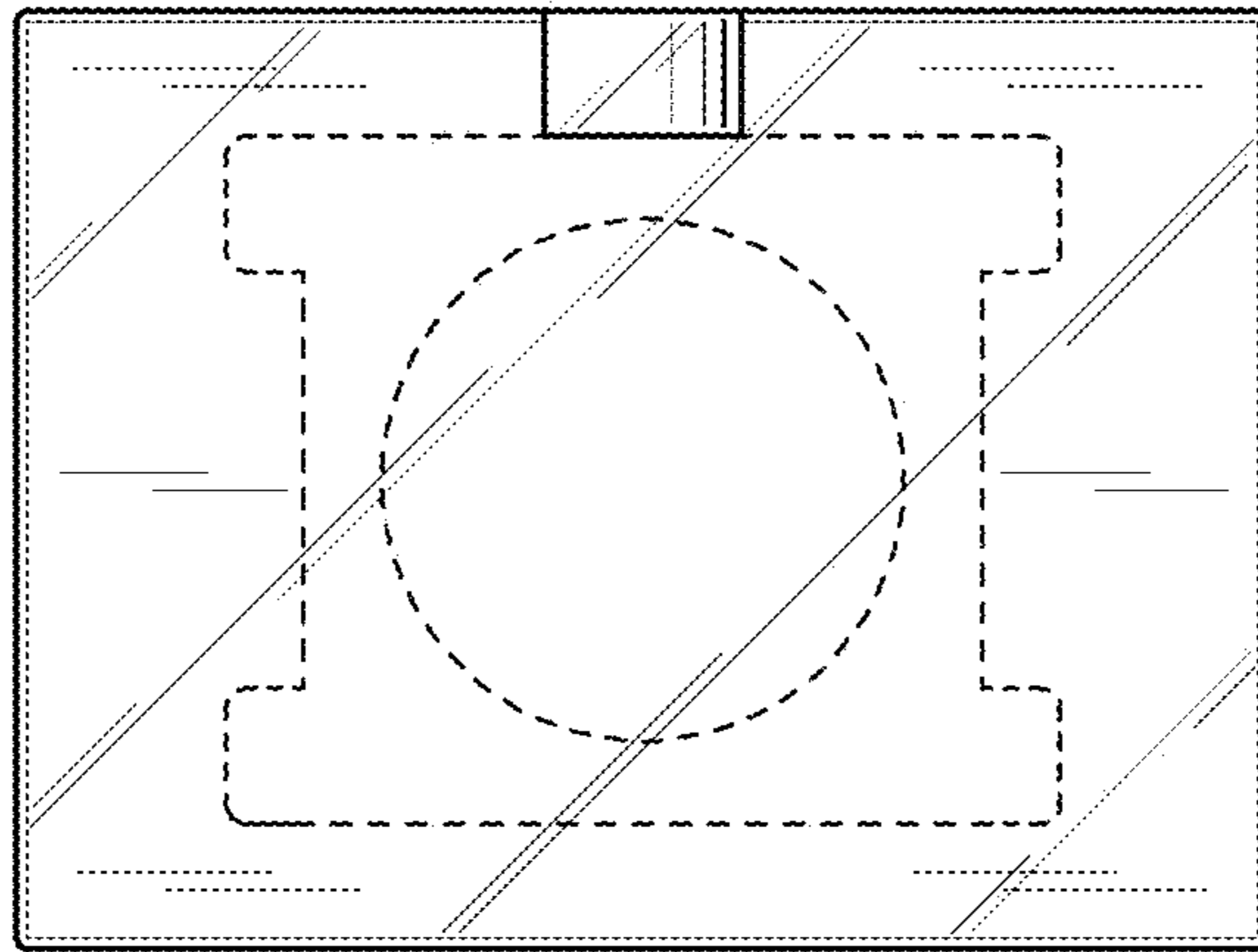


FIG. 3

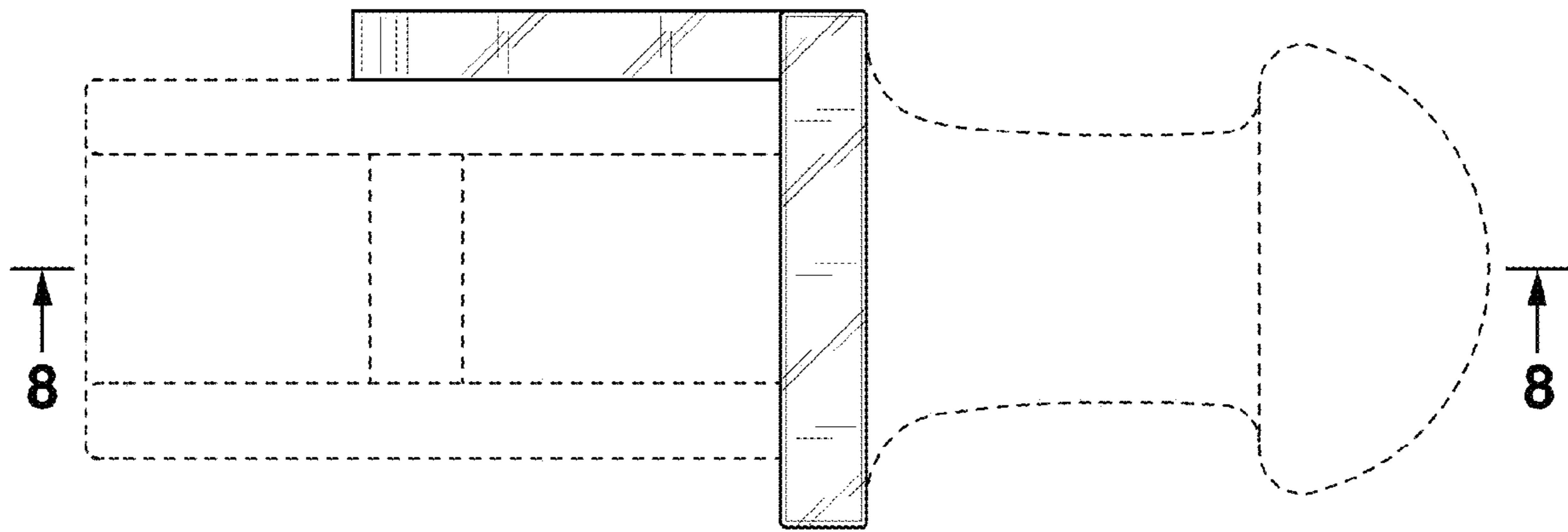


FIG. 4

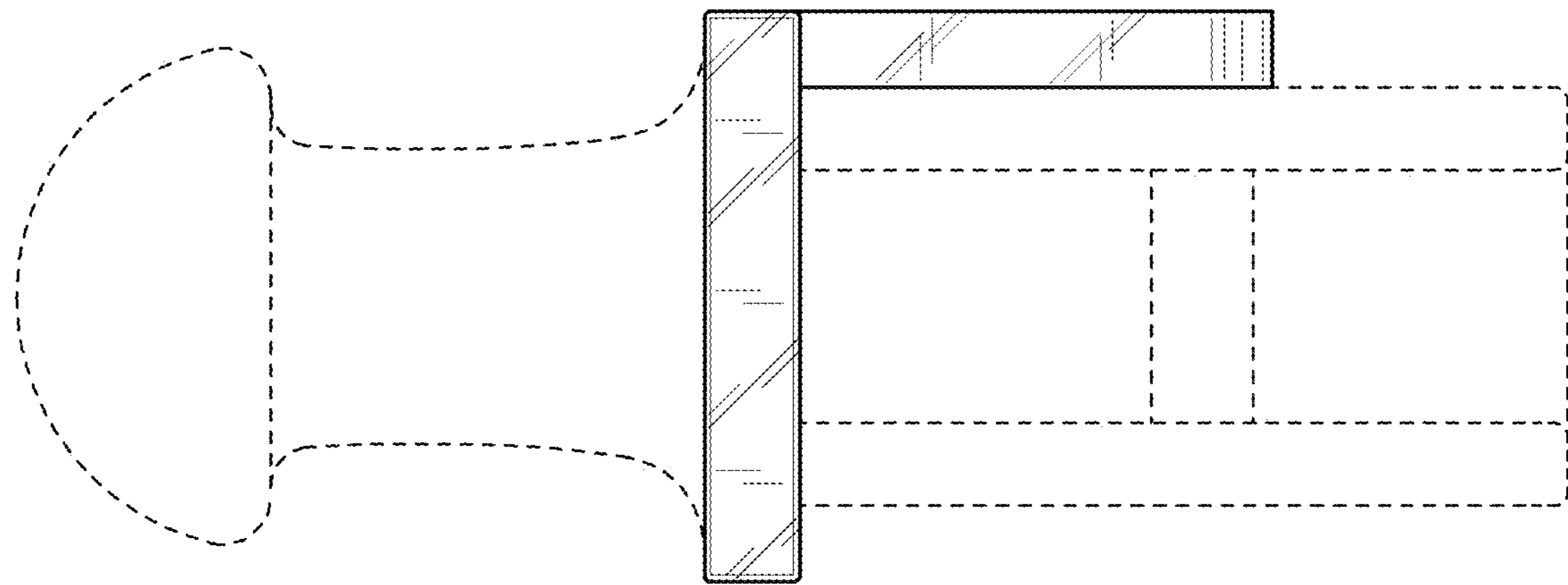


FIG. 5

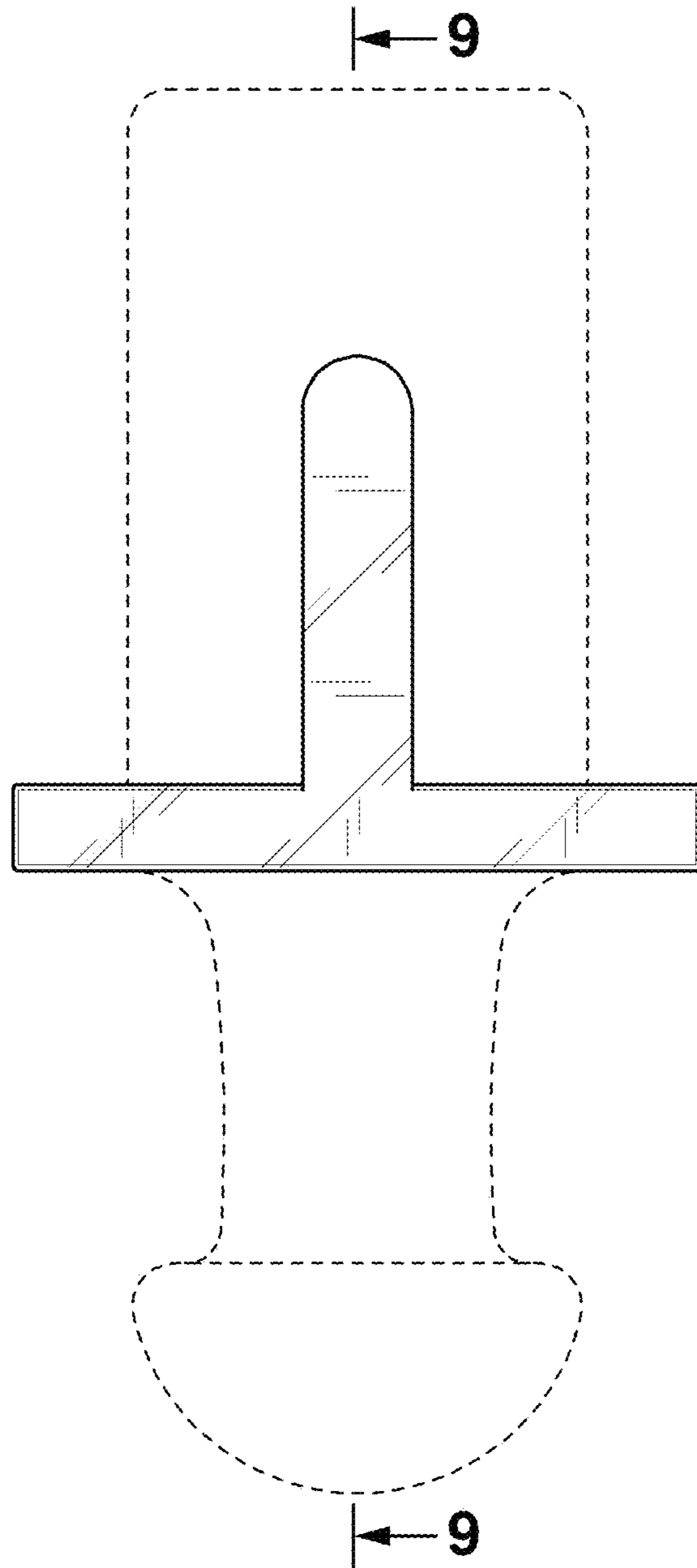


FIG. 6

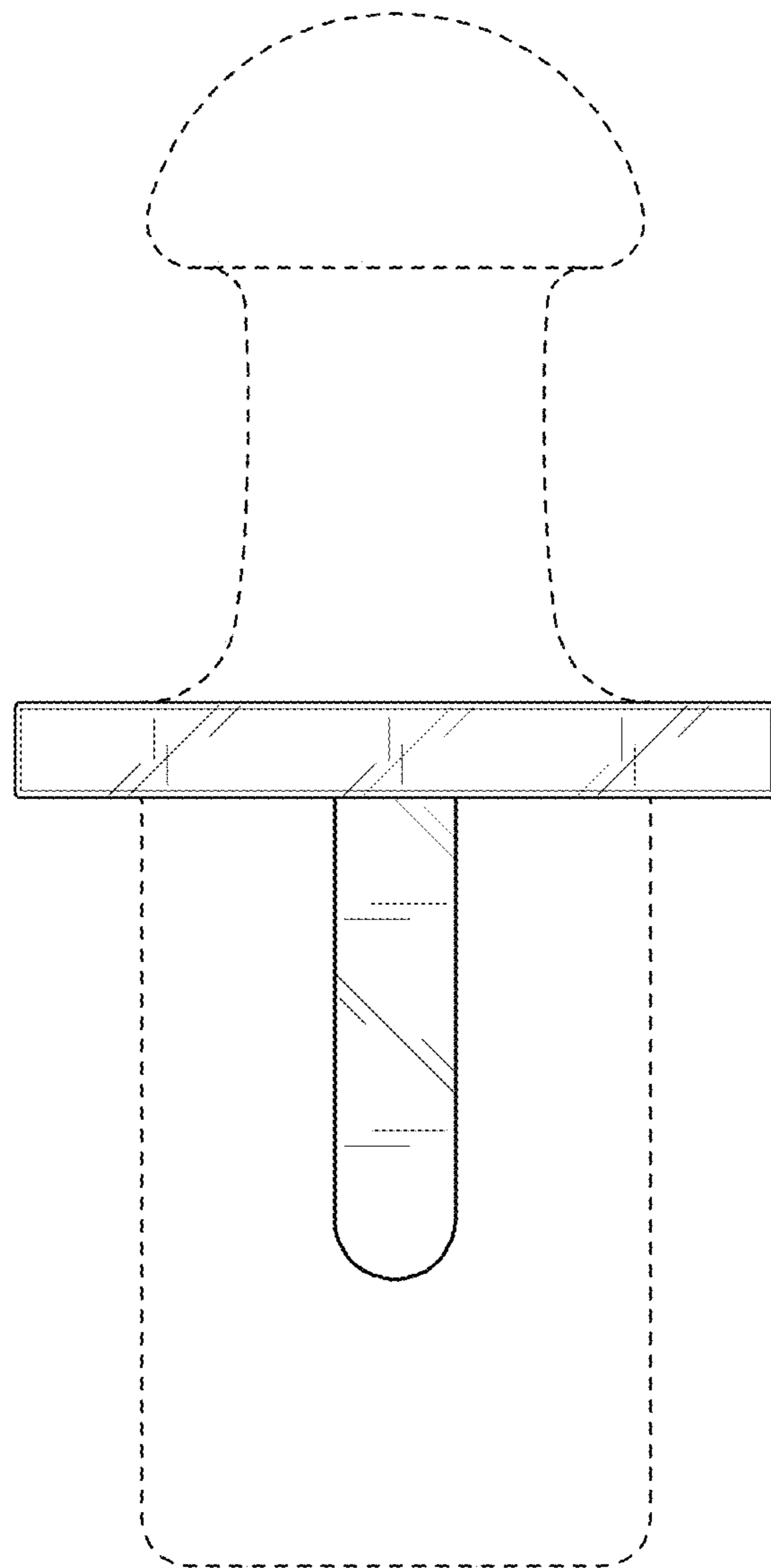


FIG. 7

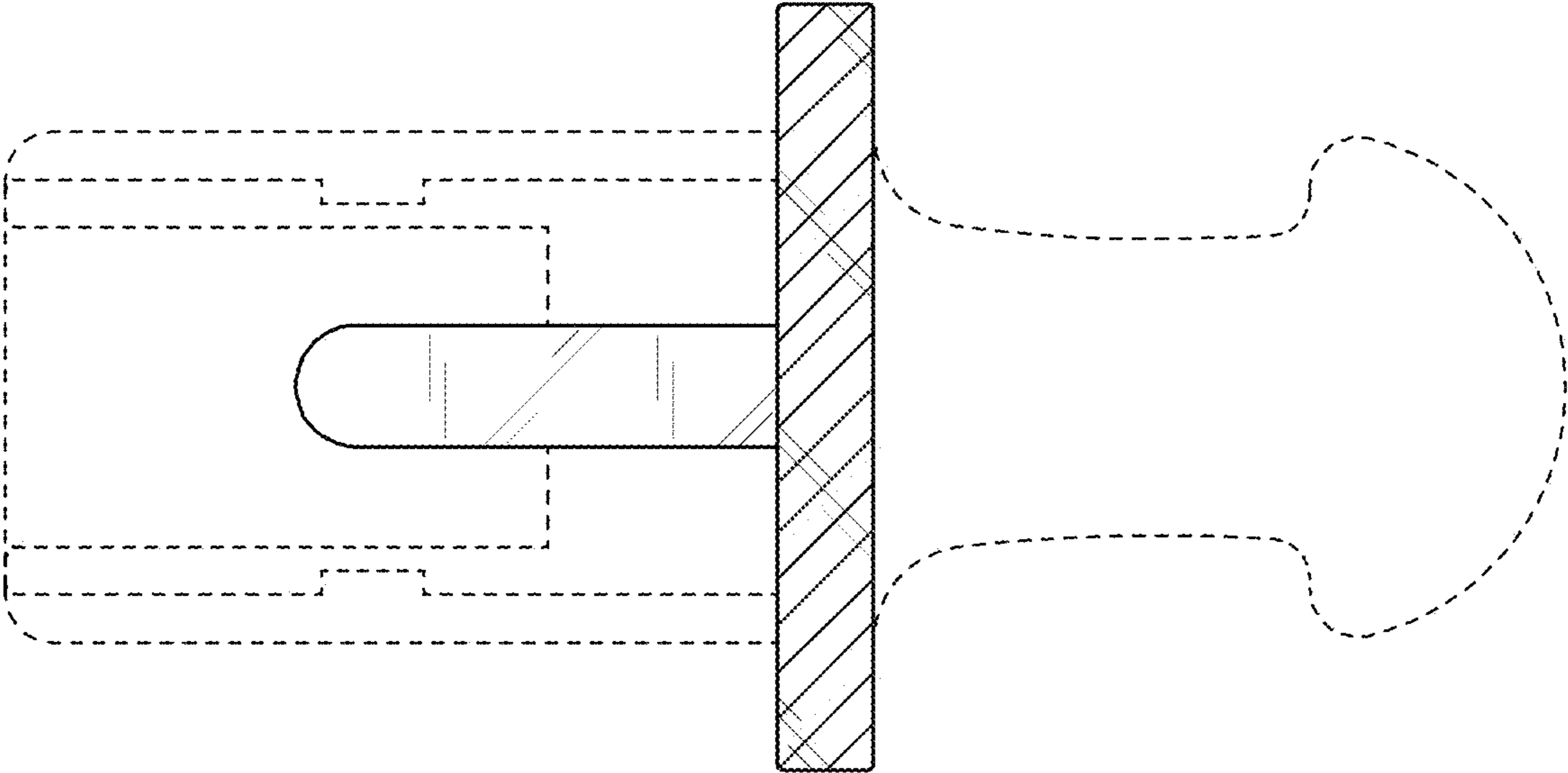


FIG. 8

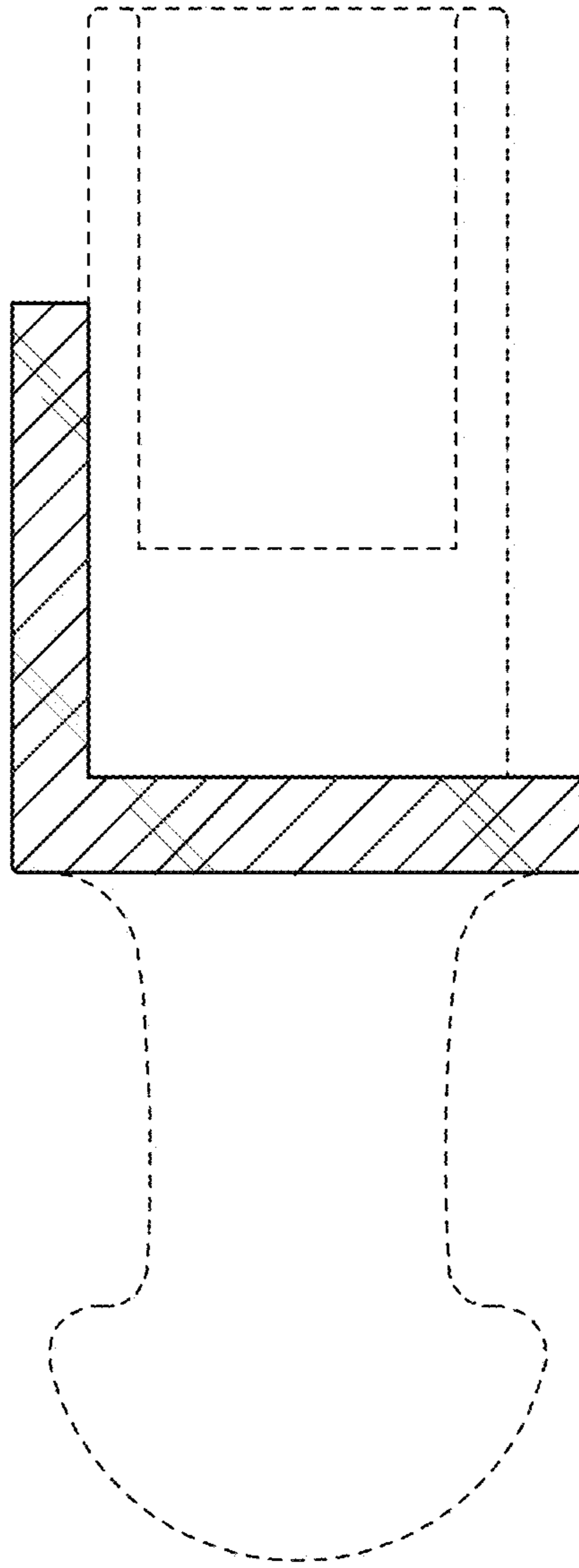


FIG. 9