



US00D938363S

(12) **United States Design Patent** (10) **Patent No.:** **US D938,363 S**  
**Wellens et al.** (45) **Date of Patent:** **\*\* Dec. 14, 2021**

(54) **CABLE TROUGH**

(74) *Attorney, Agent, or Firm* — Hoffman Warnick LLC

(71) Applicant: **TROJAN SERVICES LIMITED,**  
Hove (GB)

(57) **CLAIM**

The ornamental design for a cable trough, as shown and described.

(72) Inventors: **Stewart Wellens,** Hove (GB); **Philip Forrest-Smith,** Hove (GB)

**DESCRIPTION**

(73) Assignee: **TROJAN SERVICES LIMITED,**  
Hove (GB)

FIG. 1 shows a top isometric view of the assembled cable trough;

(\*\*) Term: **15 Years**

FIG. 2 shows a bottom isometric view of the assembled cable trough;

(21) Appl. No.: **29/695,004**

FIG. 3 shows a top view of the assembled cable trough;

(22) Filed: **Jun. 14, 2019**

FIG. 4 shows a bottom view of the assembled cable trough;

(51) **LOC (13) Cl.** ..... **13-03**

FIG. 5 shows a left side view of the assembled cable trough;

(52) **U.S. Cl.**

FIG. 6 shows a right view of the assembled cable trough;

USPC ..... **D13/155**

FIG. 7 shows a front view of the assembled cable trough;

(58) **Field of Classification Search**

FIG. 8 shows a rear view of the assembled cable trough;

USPC ..... D13/110, 123, 133, 137.1, 139.1, 139.4,  
D13/152, 154, 155, 156, 158, 162, 164,

FIG. 9 shows an exploded view of the cable trough;

(Continued)

FIG. 10 shows a side view of the base of the cable trough;

(56) **References Cited**

FIG. 11 shows a top view of the base of the cable trough;

**U.S. PATENT DOCUMENTS**

FIG. 12 shows a bottom view of the base of the cable trough;

D213,956 S \* 4/1969 Jones ..... D23/200  
3,840,140 A \* 10/1974 Tisbo ..... H02G 3/0437  
220/3.8

FIG. 13 shows an end view of the base of the cable trough;

(Continued)

FIG. 14 shows a top isometric view of the base of the cable trough;

**FOREIGN PATENT DOCUMENTS**

FIG. 15 shows a bottom isometric view of the underside of the base of the cable trough;

EM 000554316 8/2006  
EM 001543141 7/2009

FIG. 16 shows a top view of the first lid of the cable trough;

**OTHER PUBLICATIONS**

FIG. 17 shows a bottom view of the first lid of the cable trough;

trojan-services.com. [https://45e3e3aa-6c2c-4357-b186-fba0f623f8ab.filesusr.com/ugd/99f4cd\\_07d5dc5eb54d45a6b493db0abf2aeb8c.pdf](https://45e3e3aa-6c2c-4357-b186-fba0f623f8ab.filesusr.com/ugd/99f4cd_07d5dc5eb54d45a6b493db0abf2aeb8c.pdf)  
pdf date: Apr. 2020 (Year: 2020).\*

FIG. 18 shows a side view of the first lid of the cable trough;

FIG. 19 shows an end view of the first lid of the cable trough;

FIG. 20 shows a top isometric view of the first lid of the cable trough;

FIG. 21 shows a bottom isometric view of the first lid of the cable trough;

FIG. 22 shows a top view of the second lid of the cable trough;

FIG. 23 shows a bottom view of the second lid of the cable trough;

FIG. 24 shows a side view of the second lid of the cable trough;

FIG. 25 shows a top view of the assembled cable trough;

FIG. 26 shows a bottom view of the assembled cable trough;

FIG. 27 shows a left side view of the assembled cable trough;

FIG. 28 shows a right view of the assembled cable trough;

FIG. 29 shows a front view of the assembled cable trough;

FIG. 30 shows a rear view of the assembled cable trough;

FIG. 31 shows an exploded view of the cable trough;

FIG. 32 shows a side view of the base of the cable trough;

FIG. 33 shows a top view of the base of the cable trough;

FIG. 34 shows a bottom view of the base of the cable trough;

FIG. 35 shows an end view of the base of the cable trough;

FIG. 36 shows a top isometric view of the base of the cable trough;

FIG. 37 shows a bottom isometric view of the underside of the base of the cable trough;

FIG. 38 shows a top view of the first lid of the cable trough;

FIG. 39 shows a bottom view of the first lid of the cable trough;

FIG. 40 shows a side view of the first lid of the cable trough;

FIG. 41 shows an end view of the first lid of the cable trough;

FIG. 42 shows a top isometric view of the first lid of the cable trough;

FIG. 43 shows a bottom isometric view of the first lid of the cable trough;

FIG. 44 shows a top view of the second lid of the cable trough;

FIG. 45 shows a bottom view of the second lid of the cable trough;

FIG. 46 shows a side view of the second lid of the cable trough;

FIG. 47 shows a top view of the assembled cable trough;

FIG. 48 shows a bottom view of the assembled cable trough;

FIG. 49 shows a left side view of the assembled cable trough;

FIG. 50 shows a right view of the assembled cable trough;

FIG. 51 shows a front view of the assembled cable trough;

FIG. 52 shows a rear view of the assembled cable trough;

FIG. 53 shows an exploded view of the cable trough;

FIG. 54 shows a side view of the base of the cable trough;

FIG. 55 shows a top view of the base of the cable trough;

FIG. 56 shows a bottom view of the base of the cable trough;

*Primary Examiner* — Jennifer O King

(Continued)

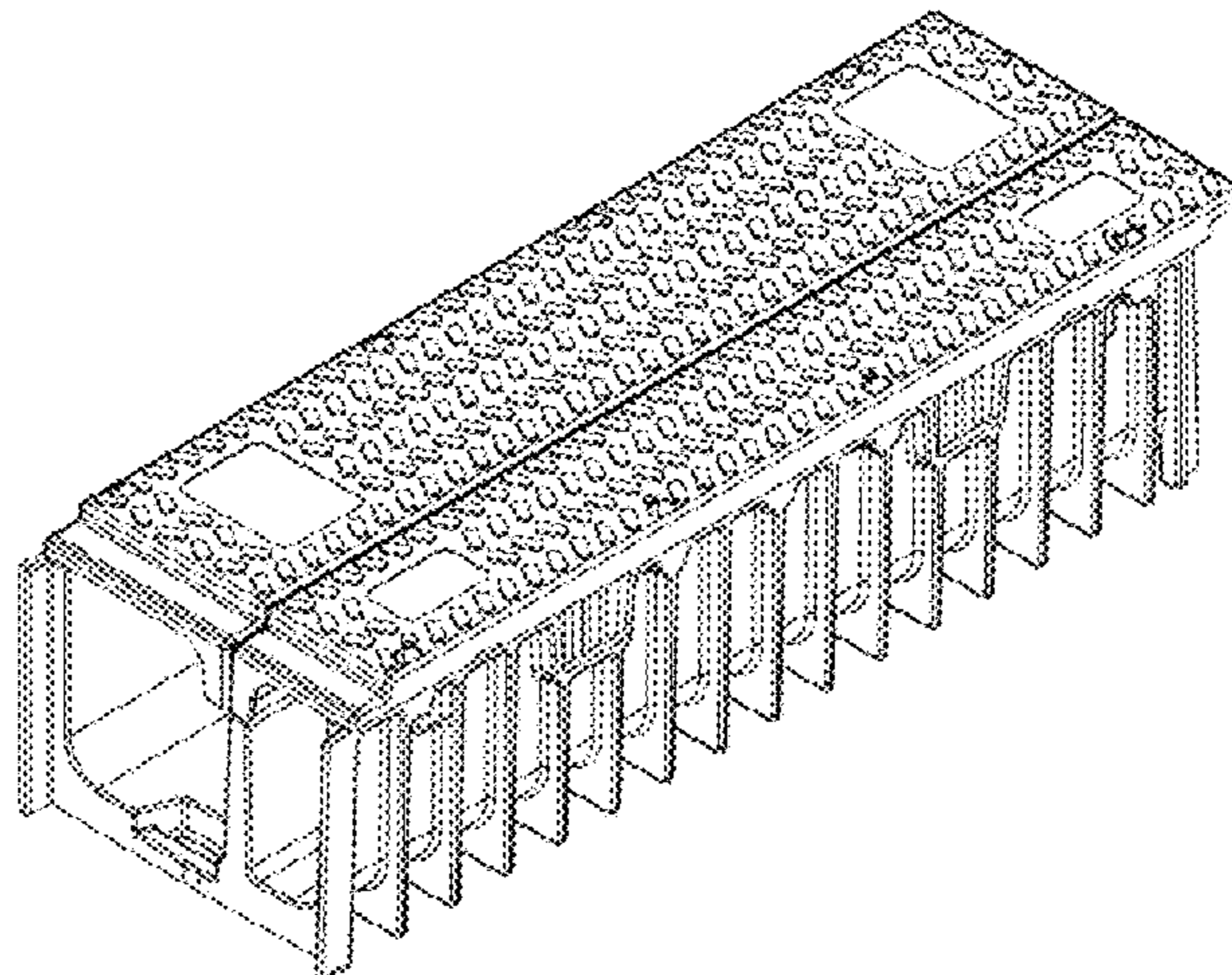


FIG. 25 shows an end view of the second lid of the cable trough;  
FIG. 26 shows a top isometric view of the second lid of the cable trough;  
FIG. 27 shows a bottom isometric view of the second lid of the cable trough;  
FIG. 28 shows a top isometric view of the first side panel of the cable trough  
FIG. 29 shows a bottom isometric view of the first side panel of the cable trough;  
FIG. 30 shows a top isometric view of the second side panel of the cable trough; and,  
FIG. 31 shows a bottom isometric view of the second side panel of the cable trough.

**1 Claim, 13 Drawing Sheets**

(58) **Field of Classification Search**

USPC ..... D13/173, 177, 184; D8/354, 349, 356,  
D8/155; D25/133

CPC ..... H02G 3/32; H02G 3/0437; G02B 6/3897

See application file for complete search history.

(56)

**References Cited**

U.S. PATENT DOCUMENTS

D322,596	S	*	12/1991	Henneberger	.....	D13/155
6,076,779	A	*	6/2000	Johnson	.....	G02B 6/4461 248/49
6,709,186	B2	*	3/2004	Ferris	.....	G02B 6/4459 248/68.1
D576,109	S	*	9/2008	Sayres	.....	D13/155
D576,560	S	*	9/2008	Sayres	.....	D13/155
D876,093	S	*	2/2020	Thompson	.....	D3/313
2011/0278038	A1	*	11/2011	Wellens	.....	B60M 5/00 174/39
2018/0183223	A1	*	6/2018	Kloft	.....	H02G 3/0437
2020/0144804	A1	*	5/2020	Wellens	.....	E01B 2/00

\* cited by examiner

FIG. 1

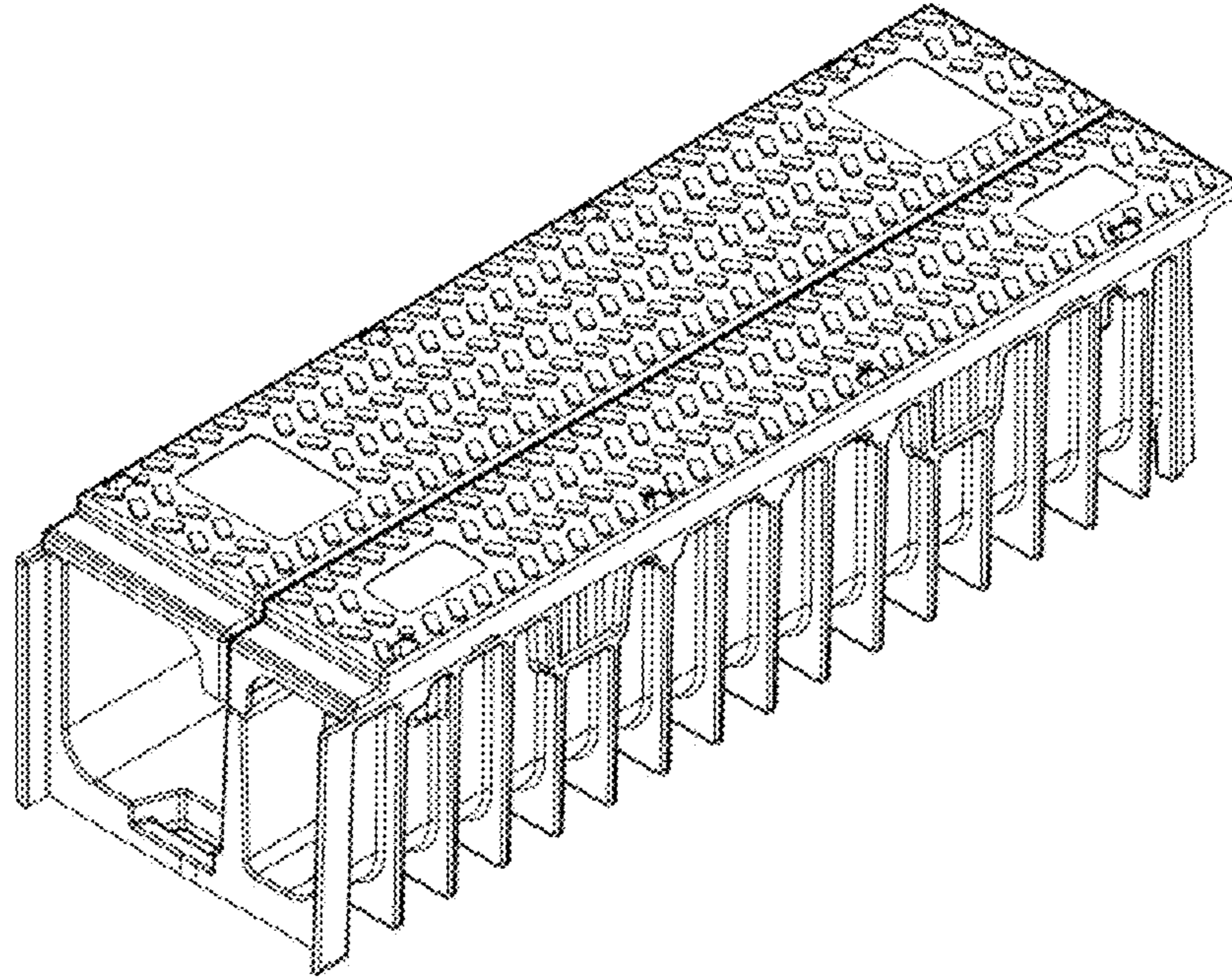


FIG. 2

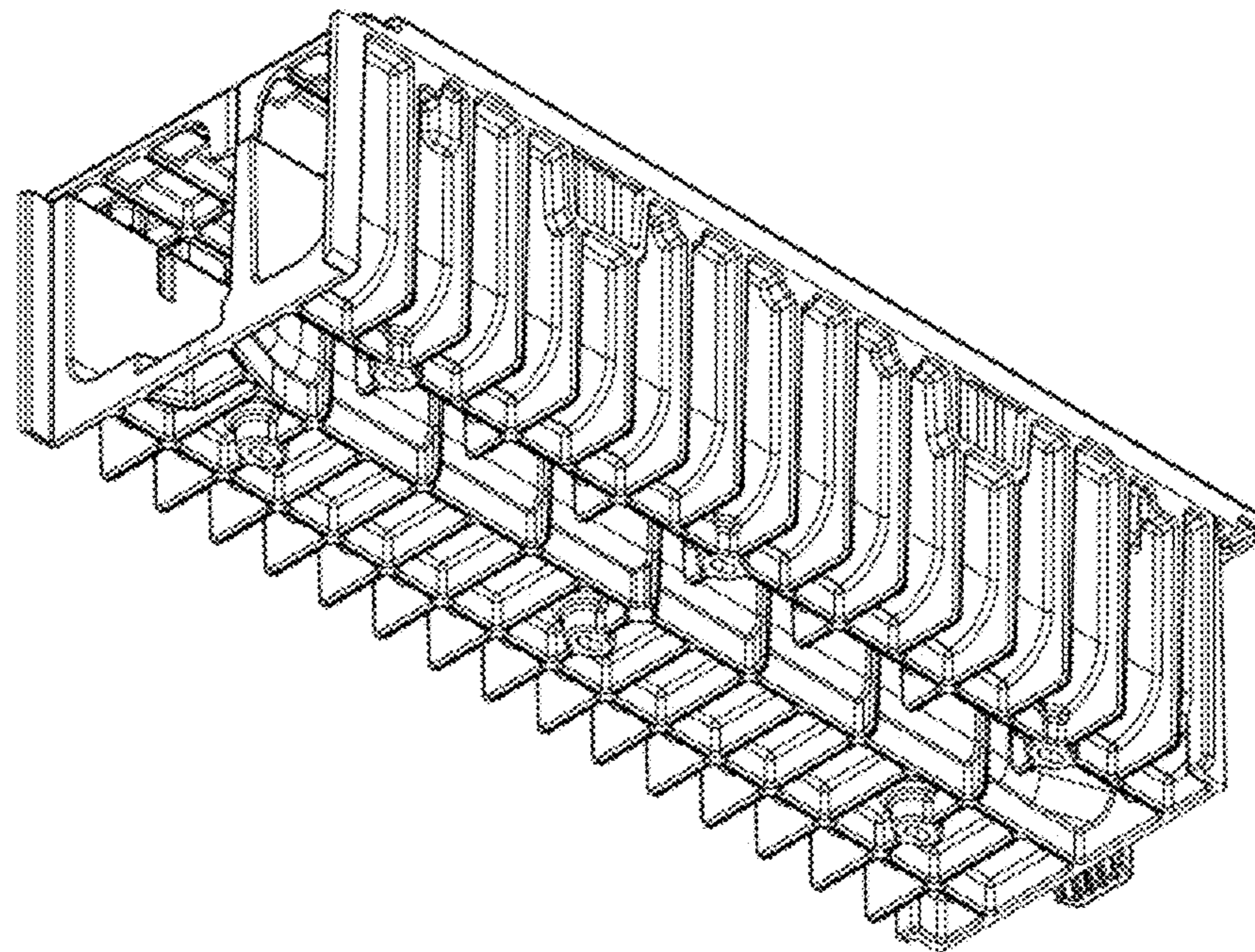


FIG. 3

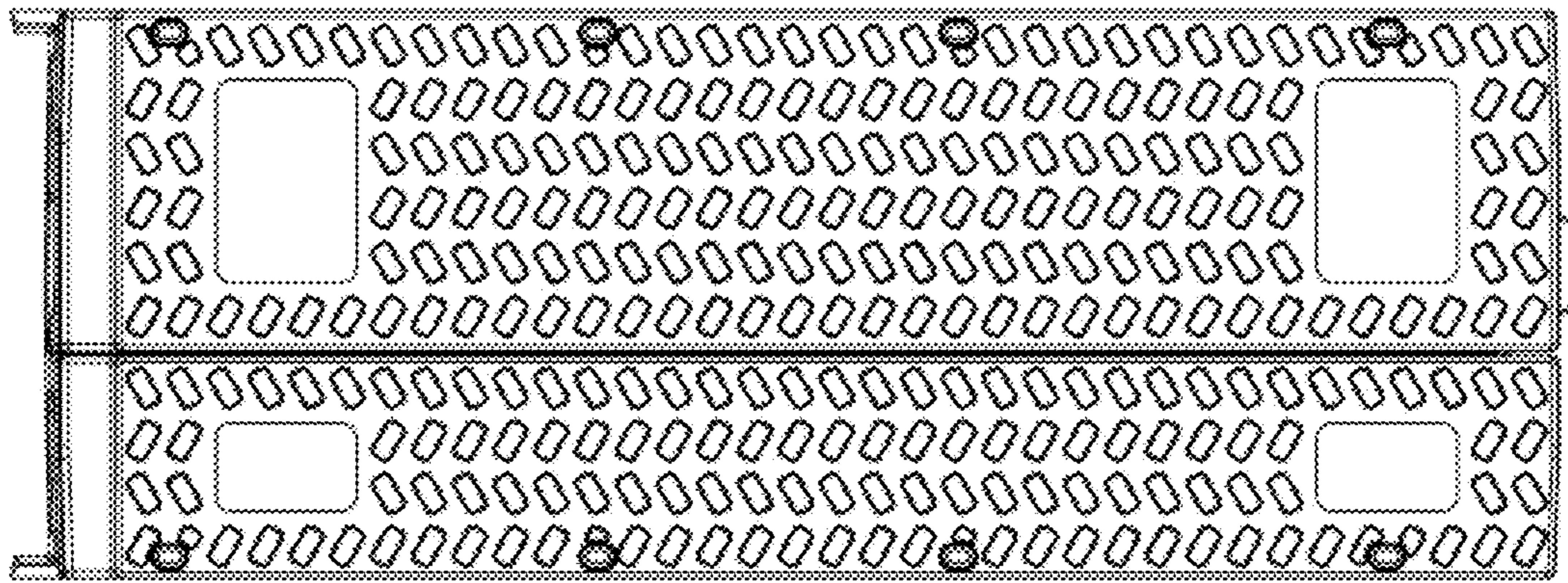


FIG. 4

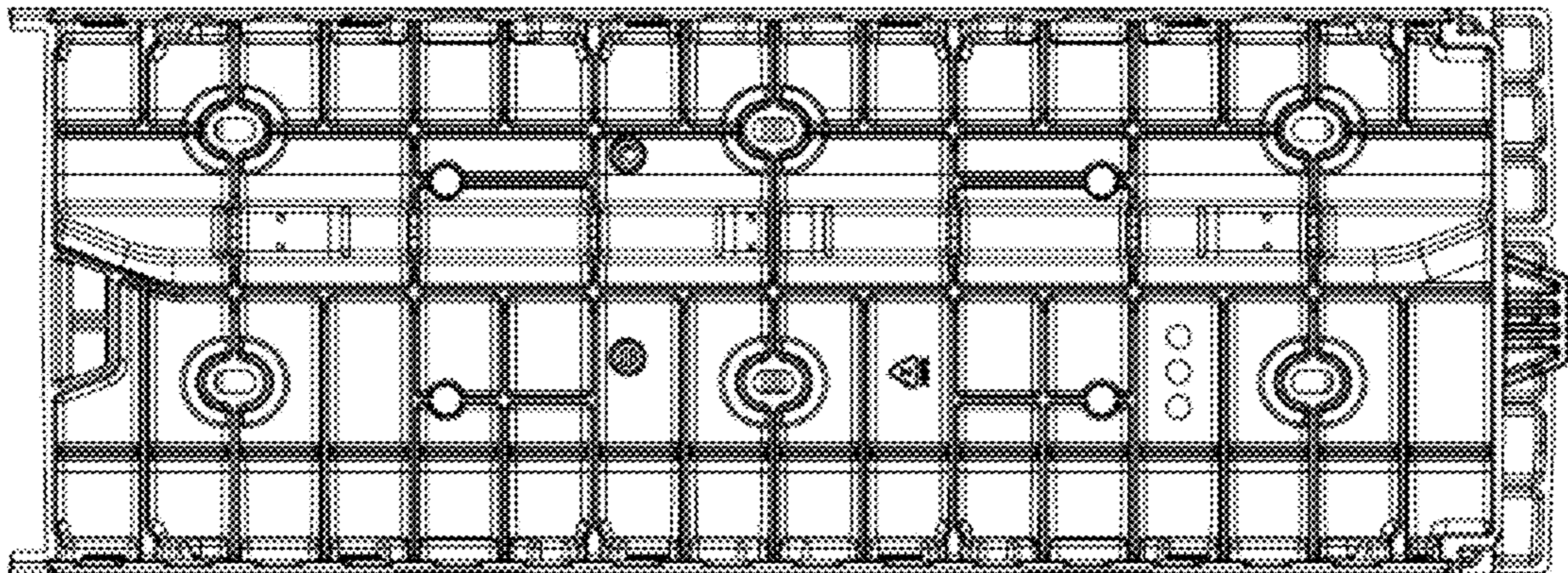


FIG. 5

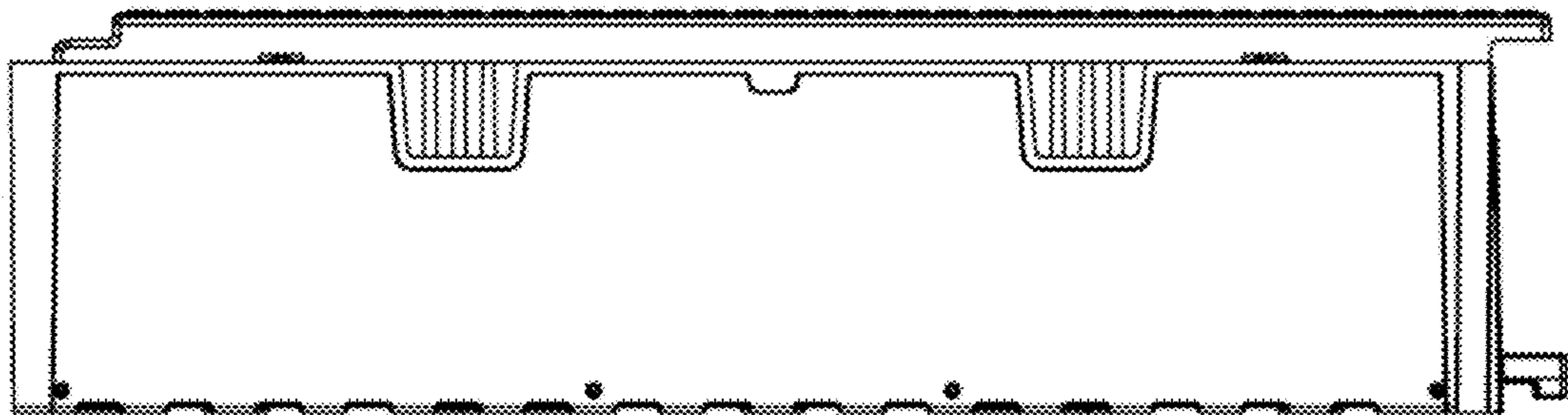


FIG. 6

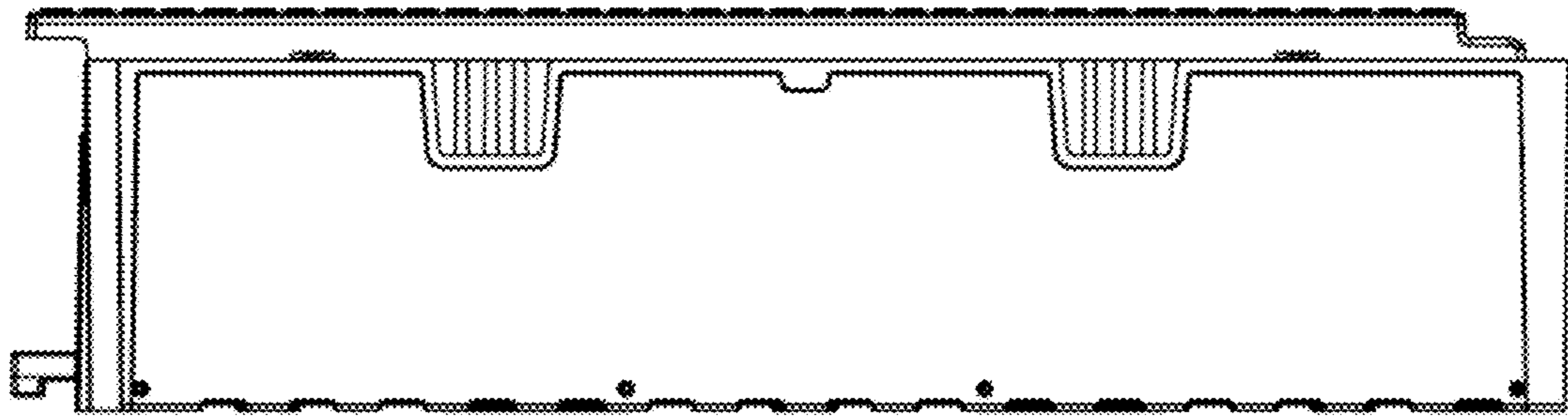


FIG. 7

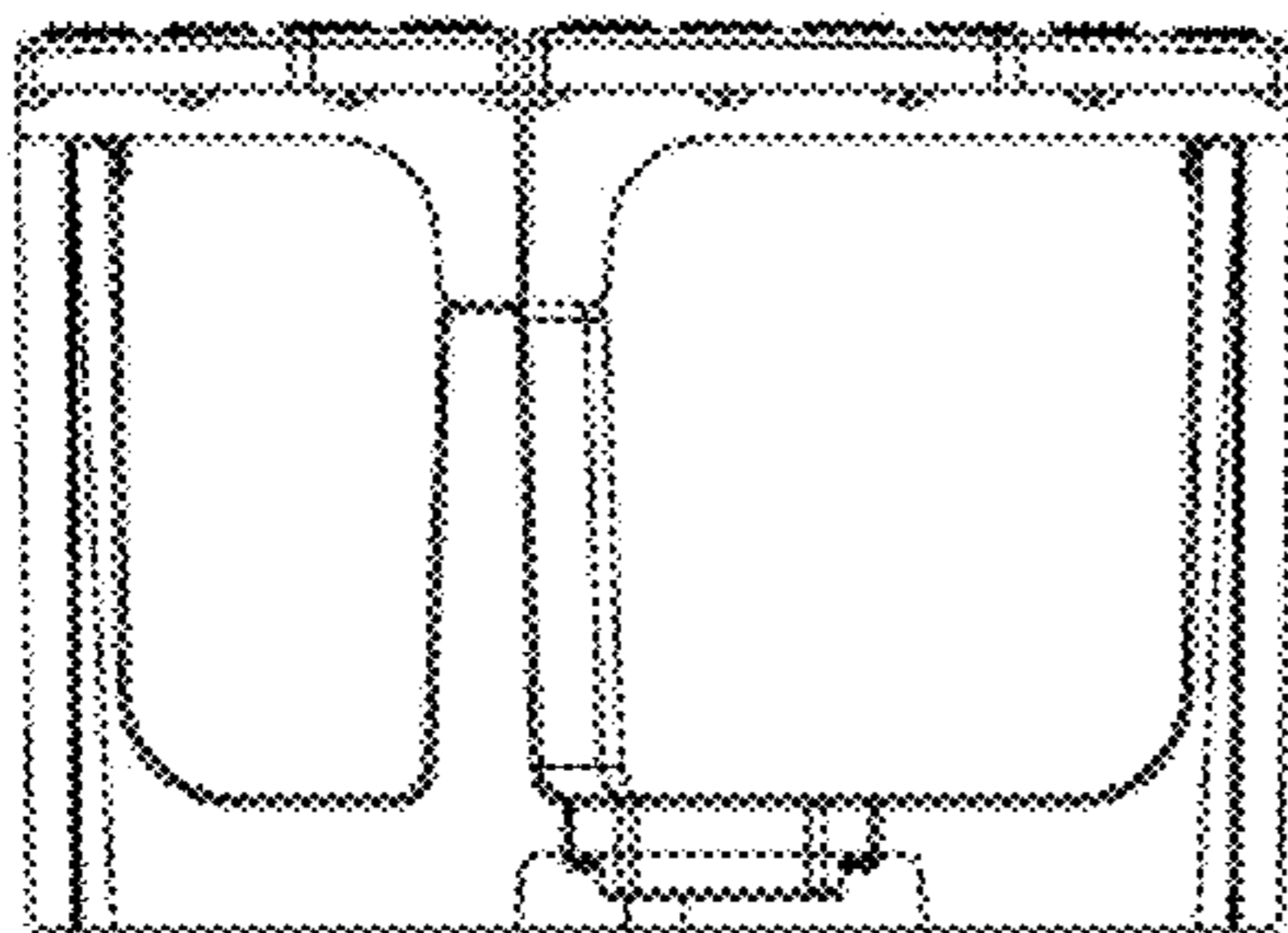


FIG. 8

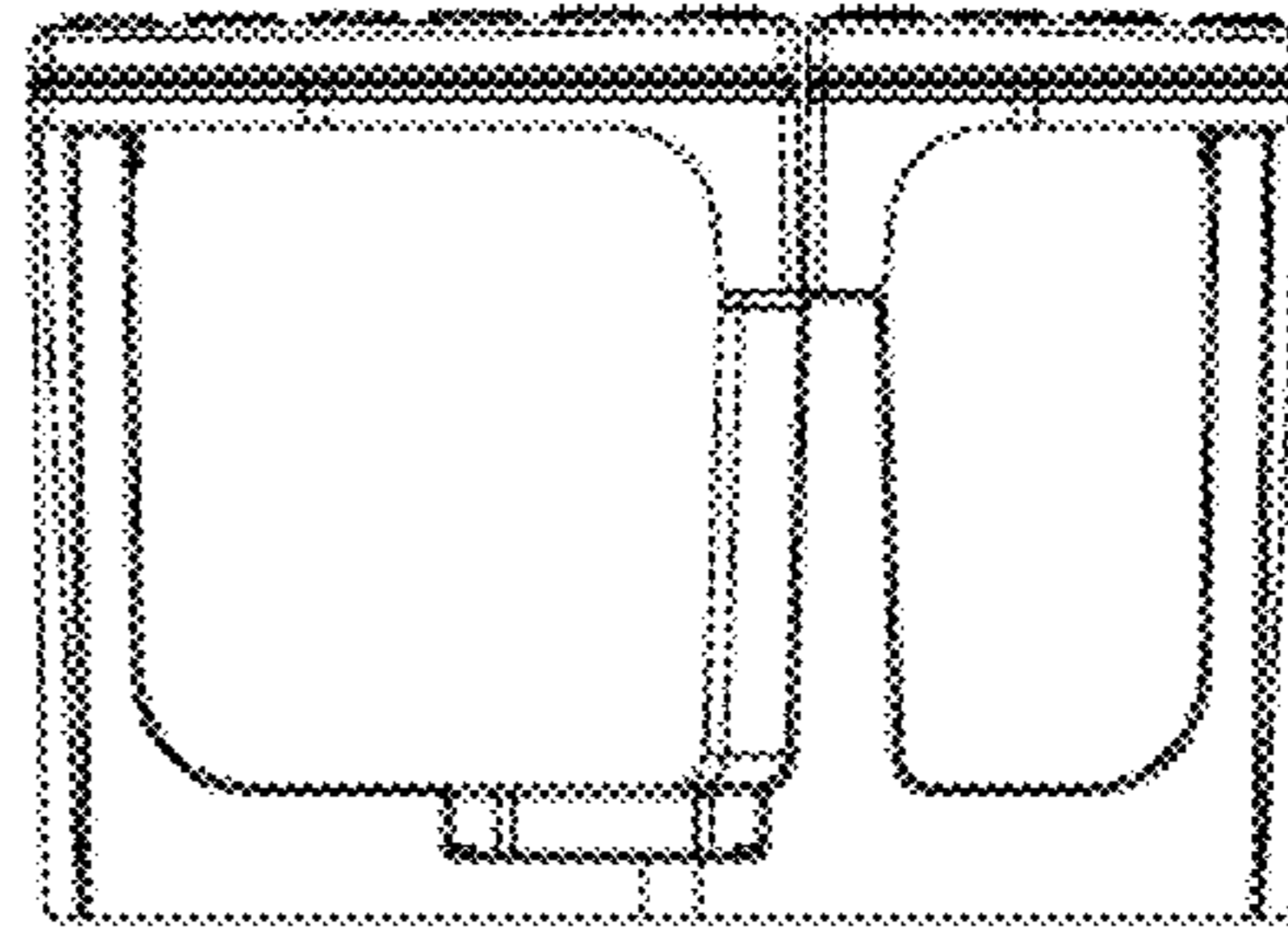


FIG. 9

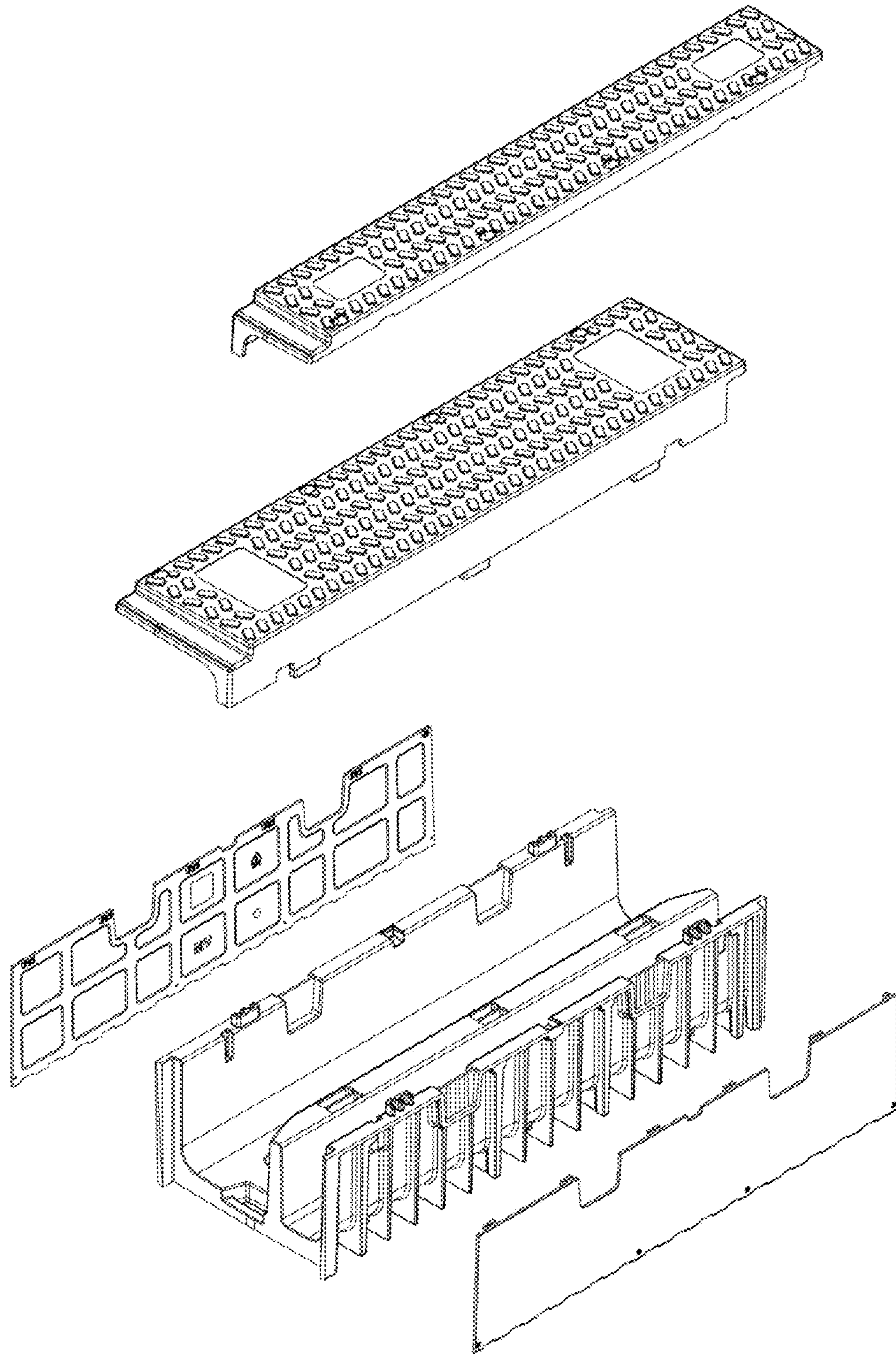


FIG. 10

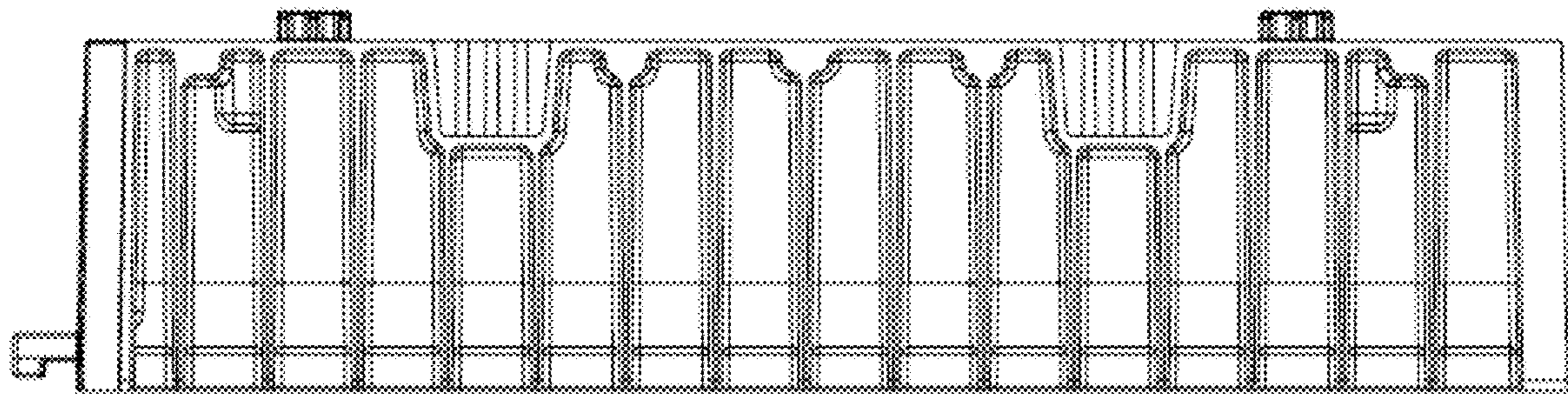


FIG. 11

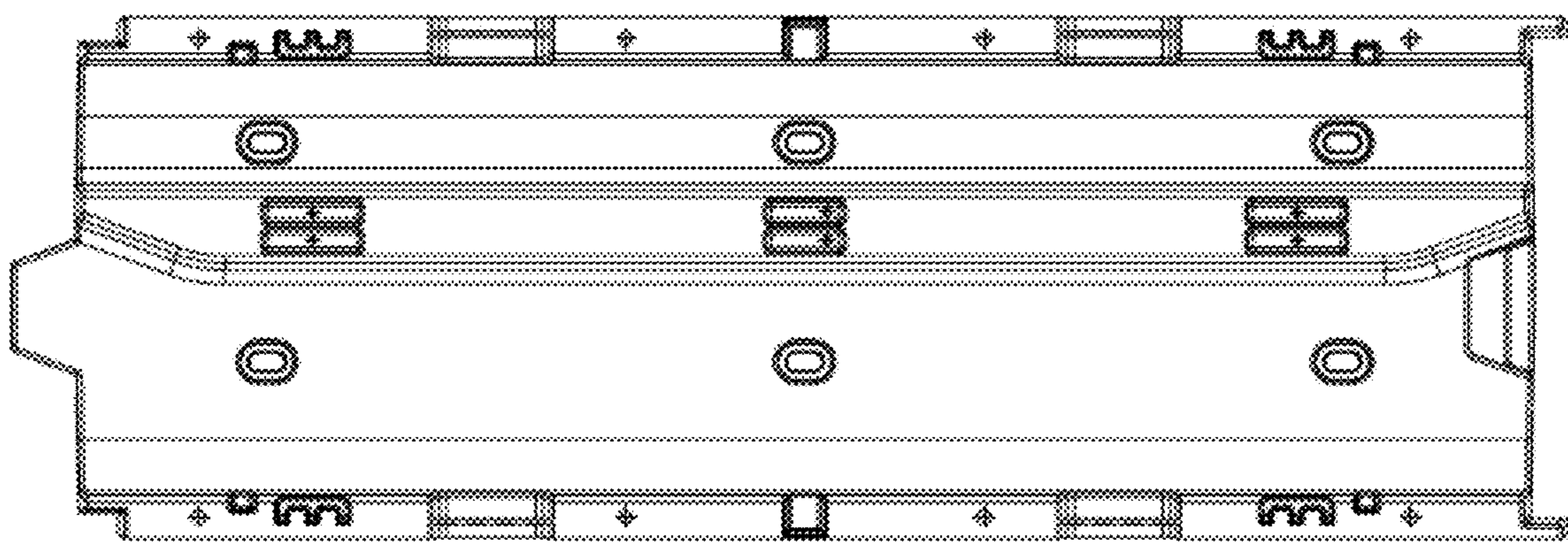


FIG. 12

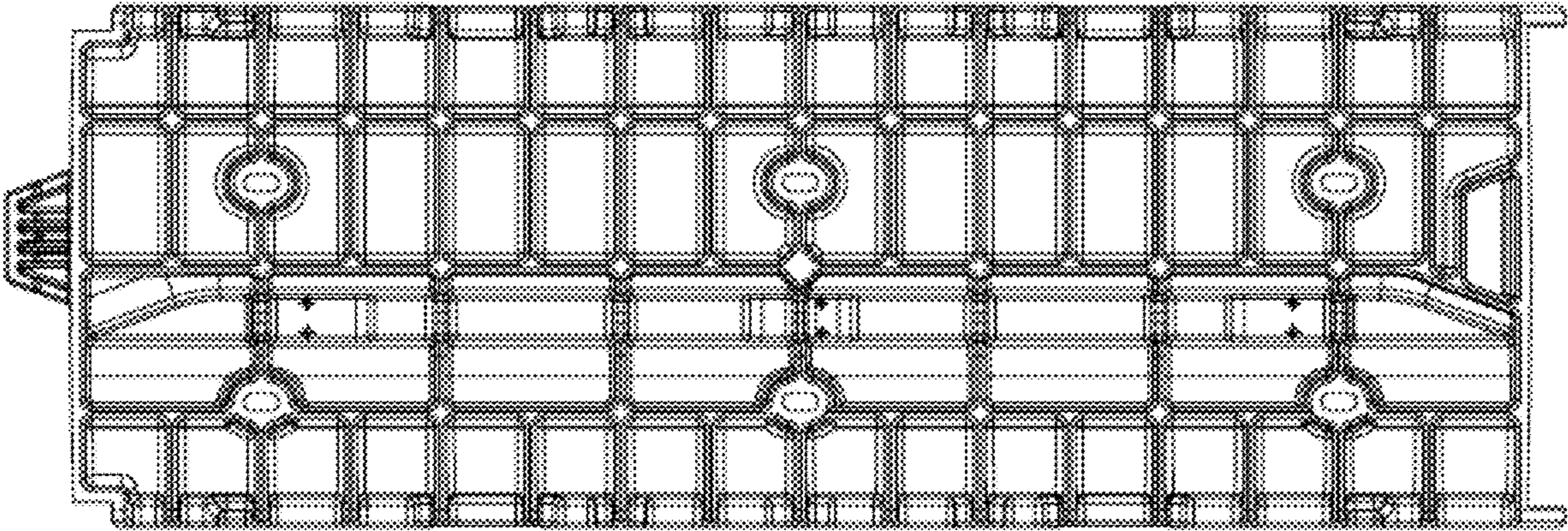


FIG. 13

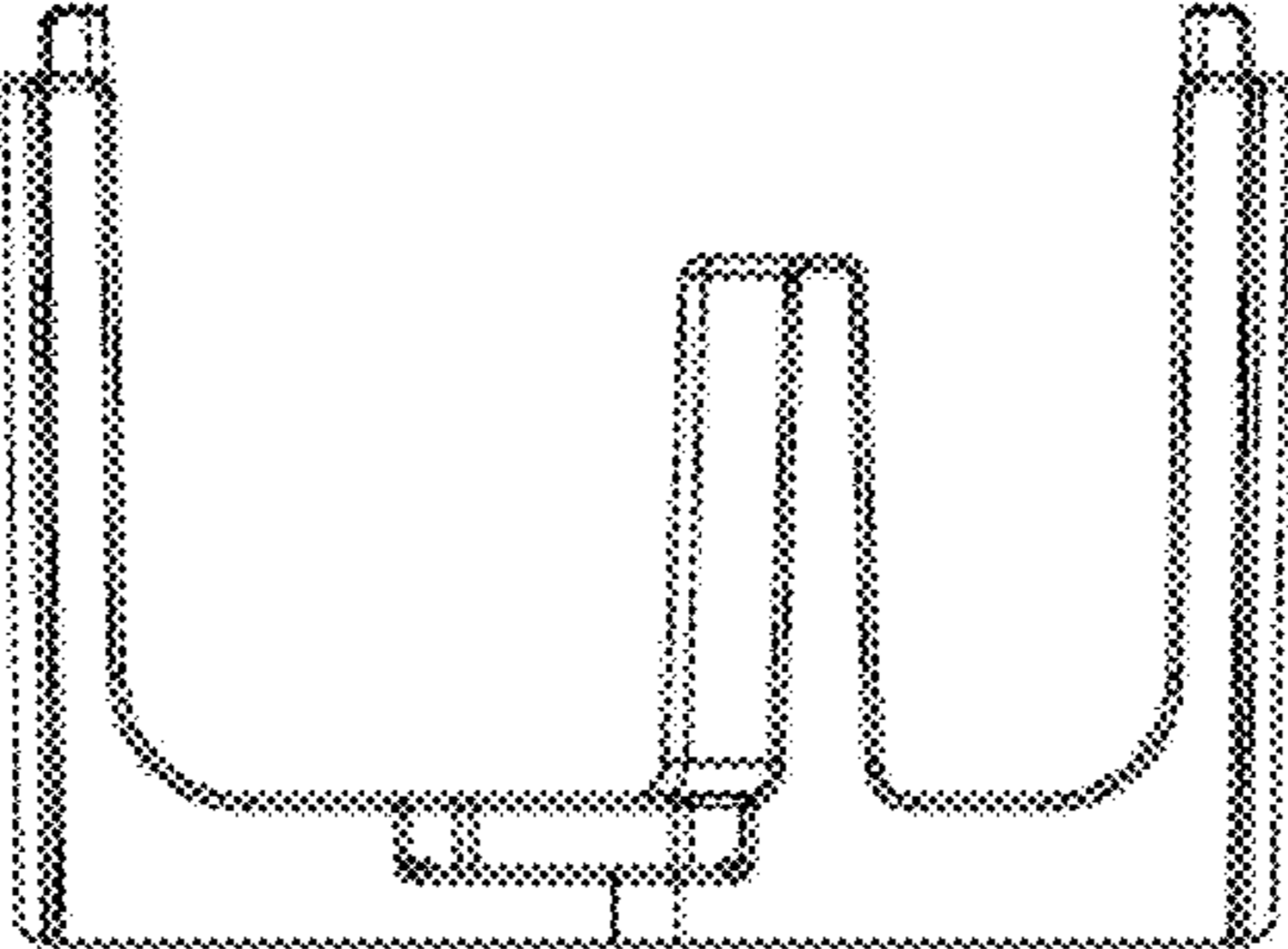




FIG. 14

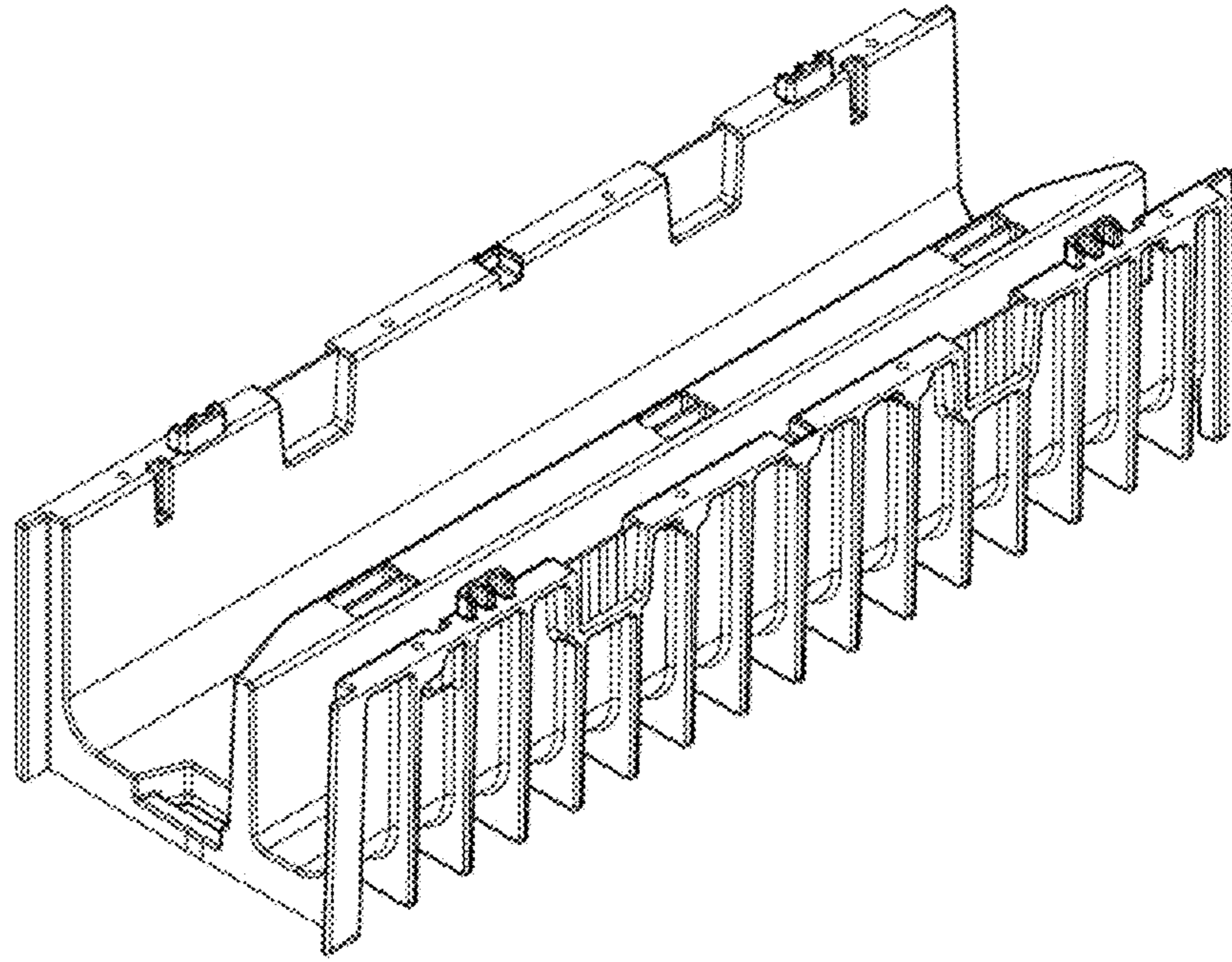


FIG. 15

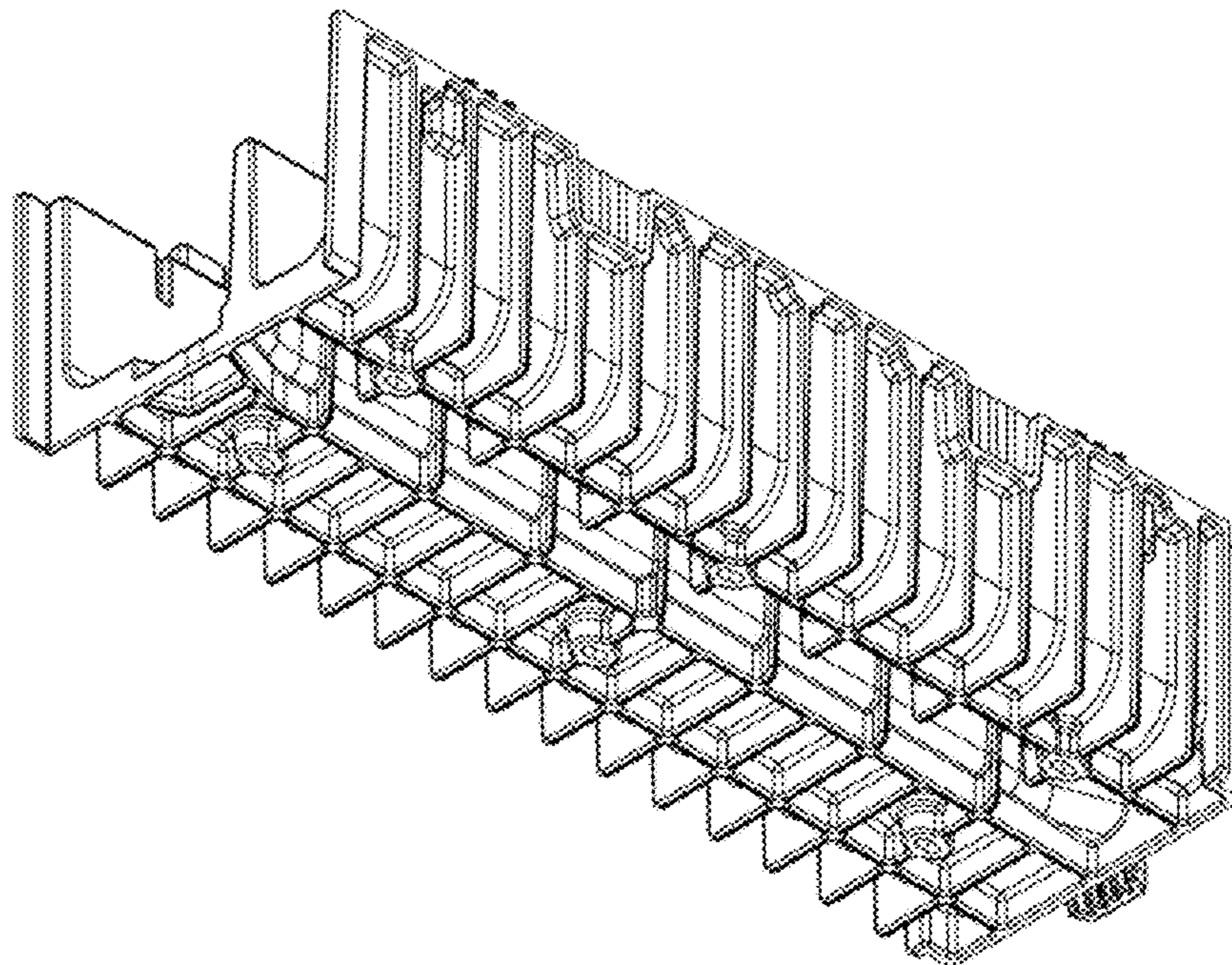


FIG. 16

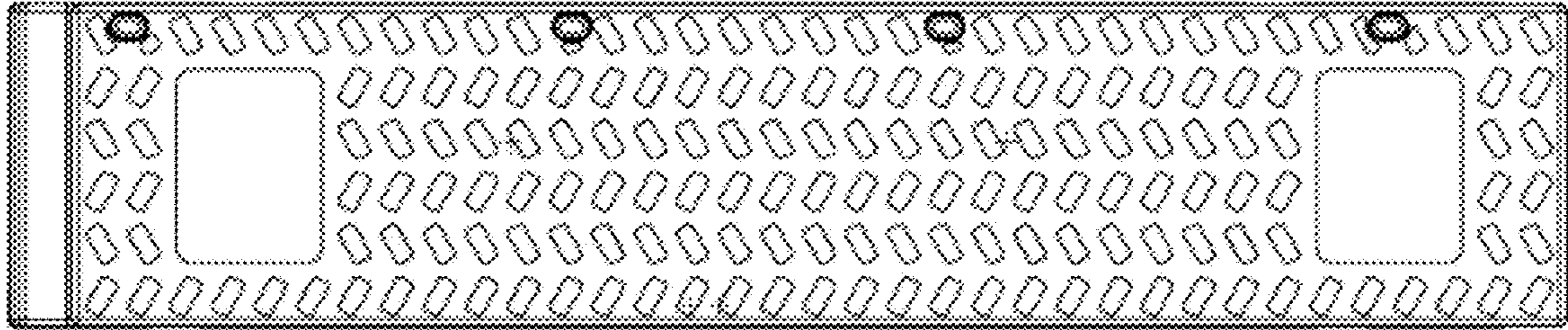


FIG. 17

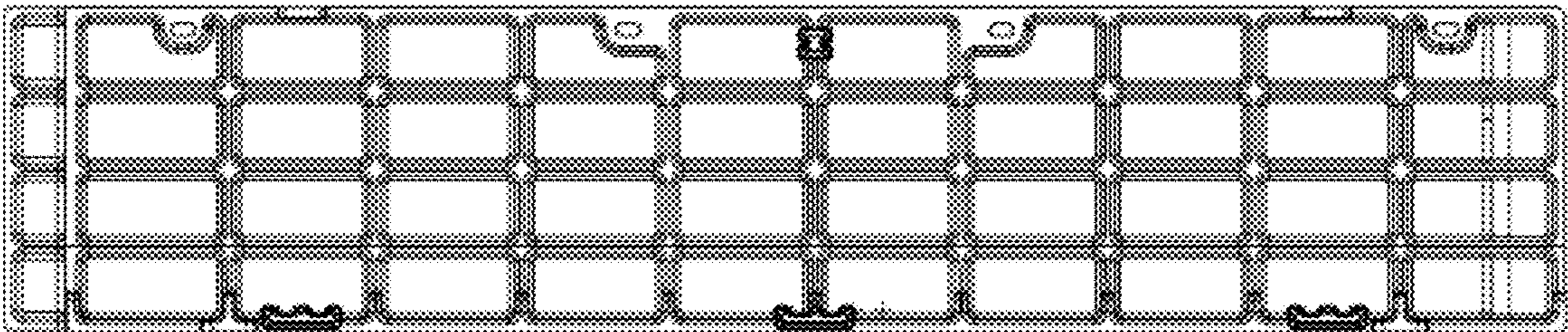


FIG. 18

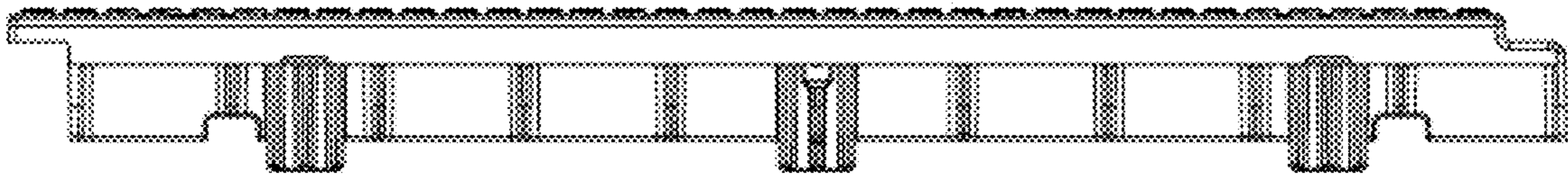


FIG. 19

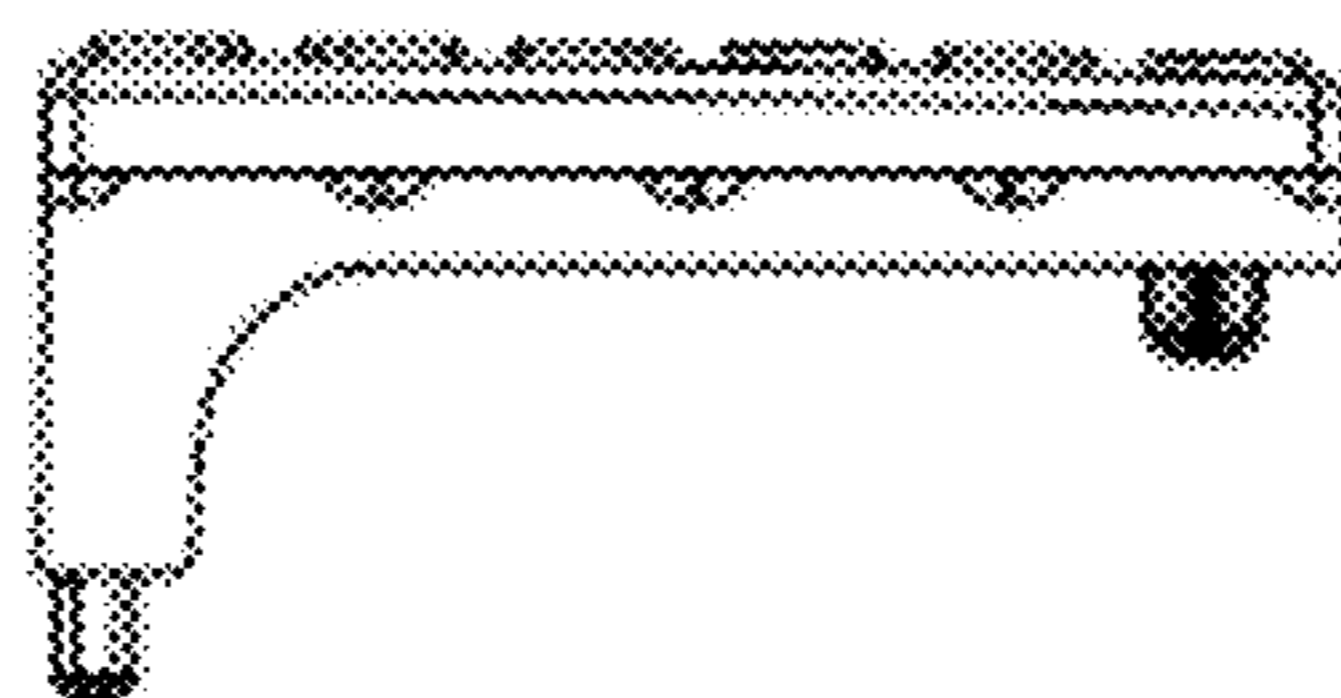


FIG. 20

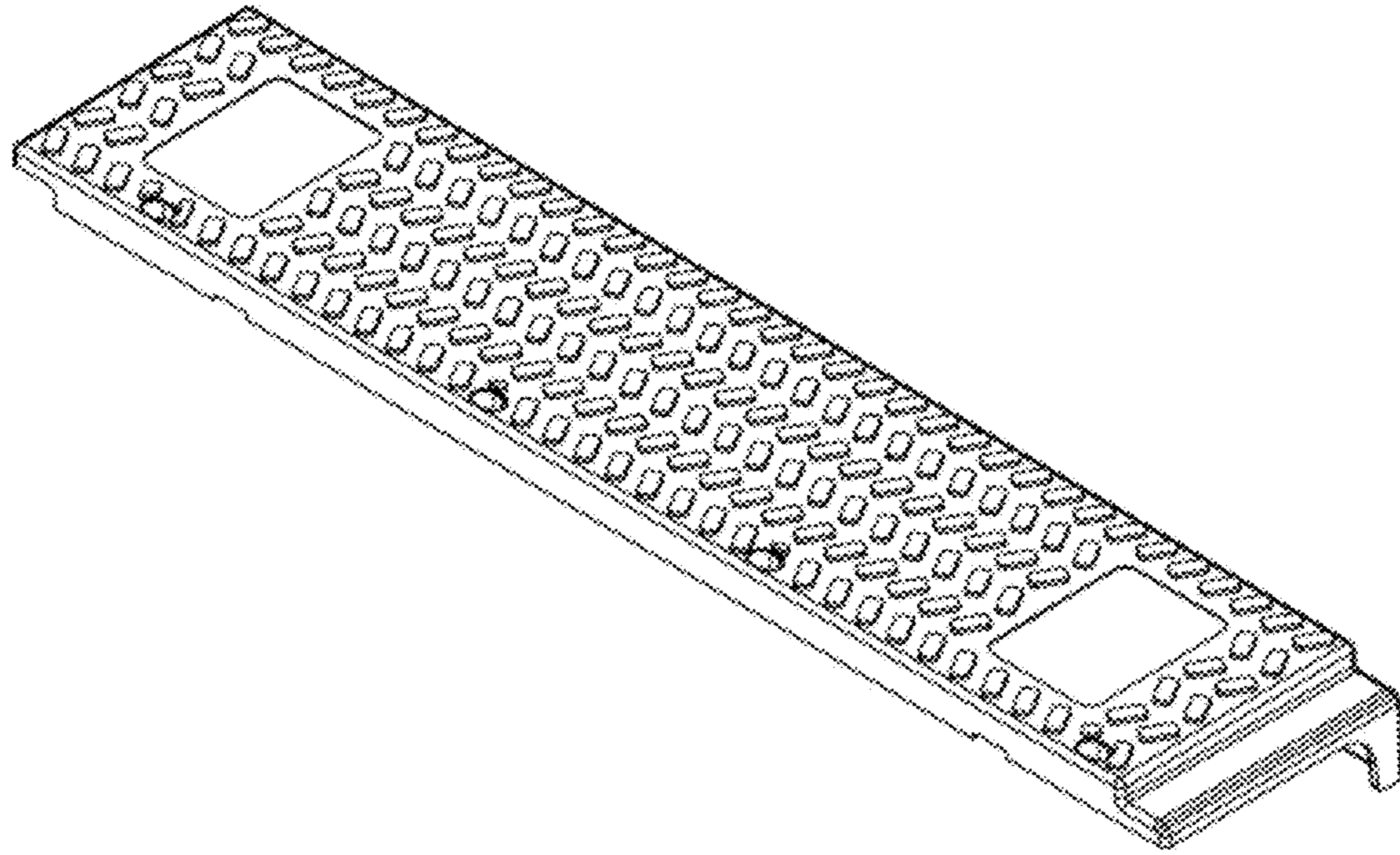


FIG. 21

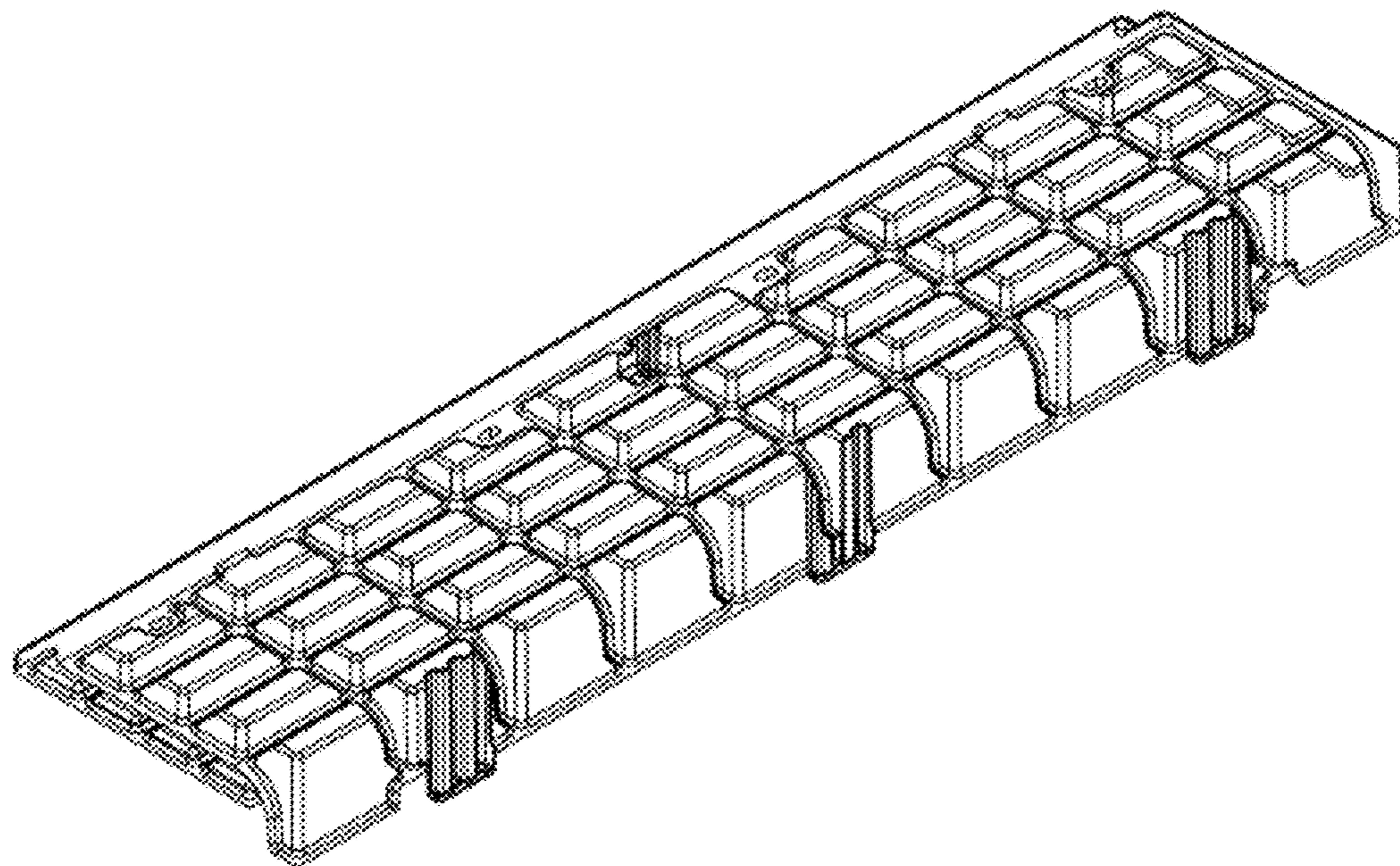


FIG. 22

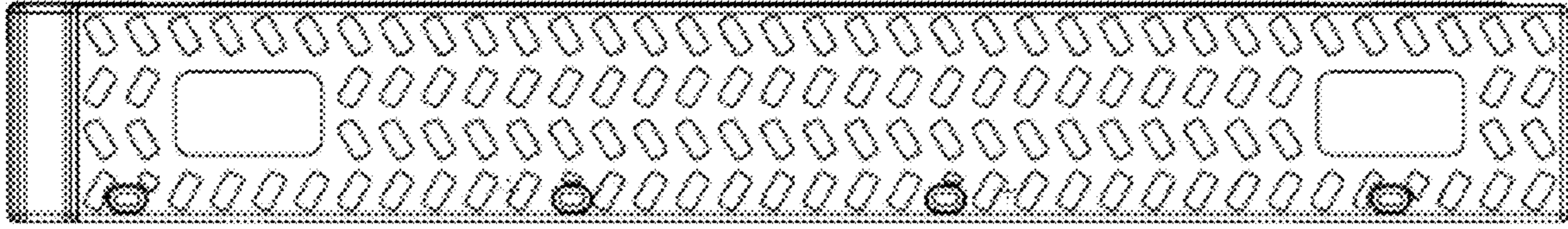


FIG. 23

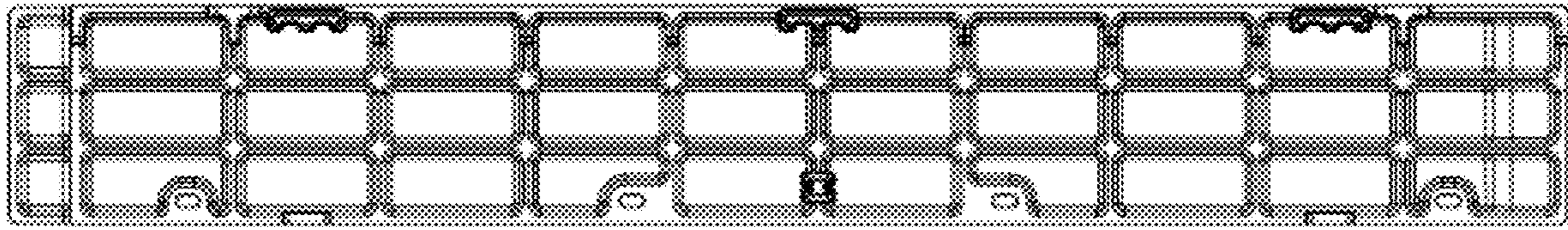


FIG. 24

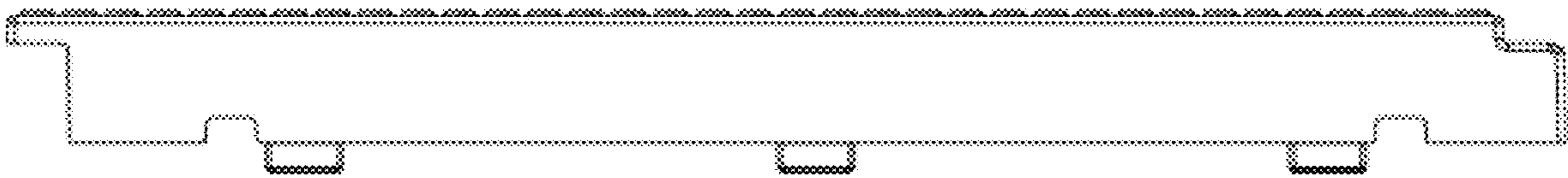


FIG. 25

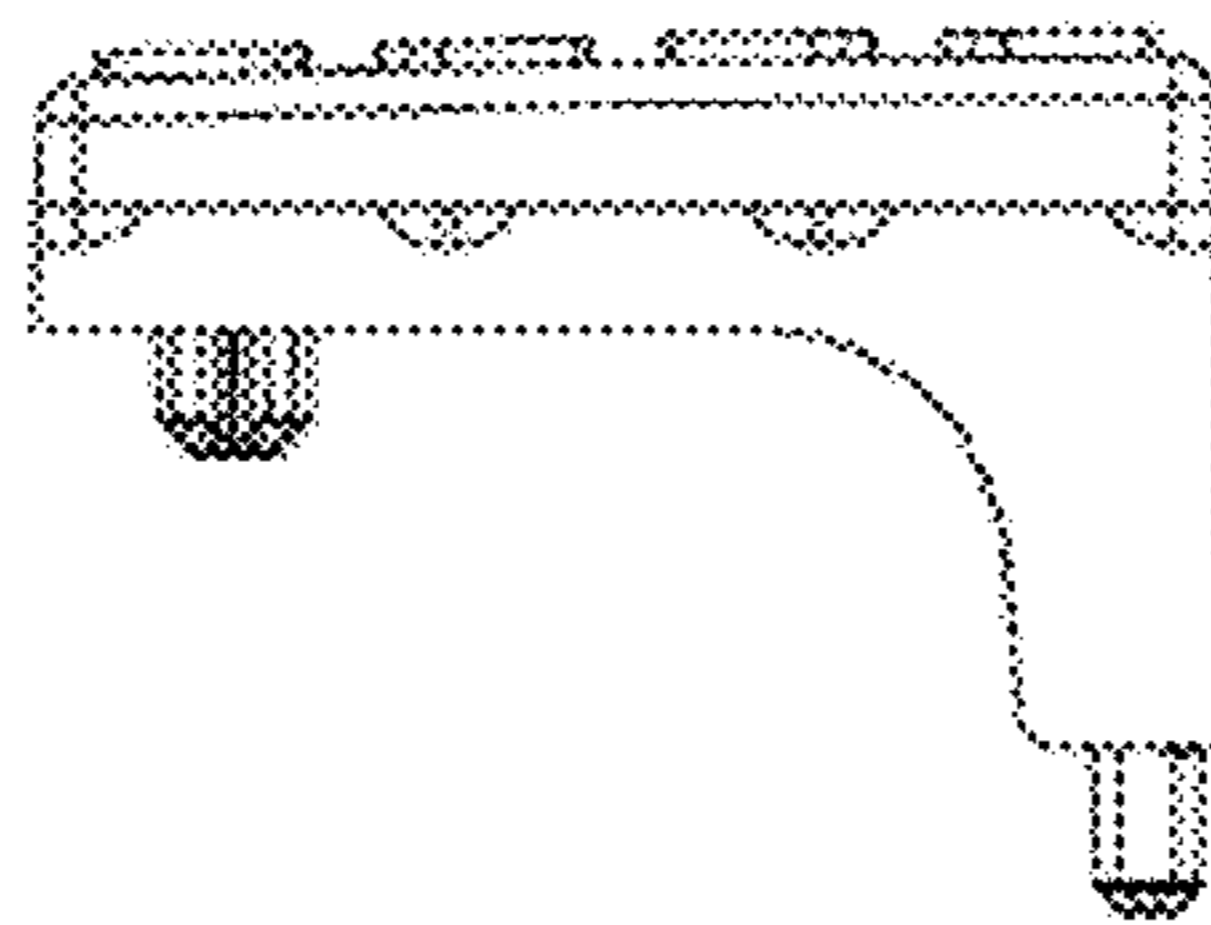


FIG. 26

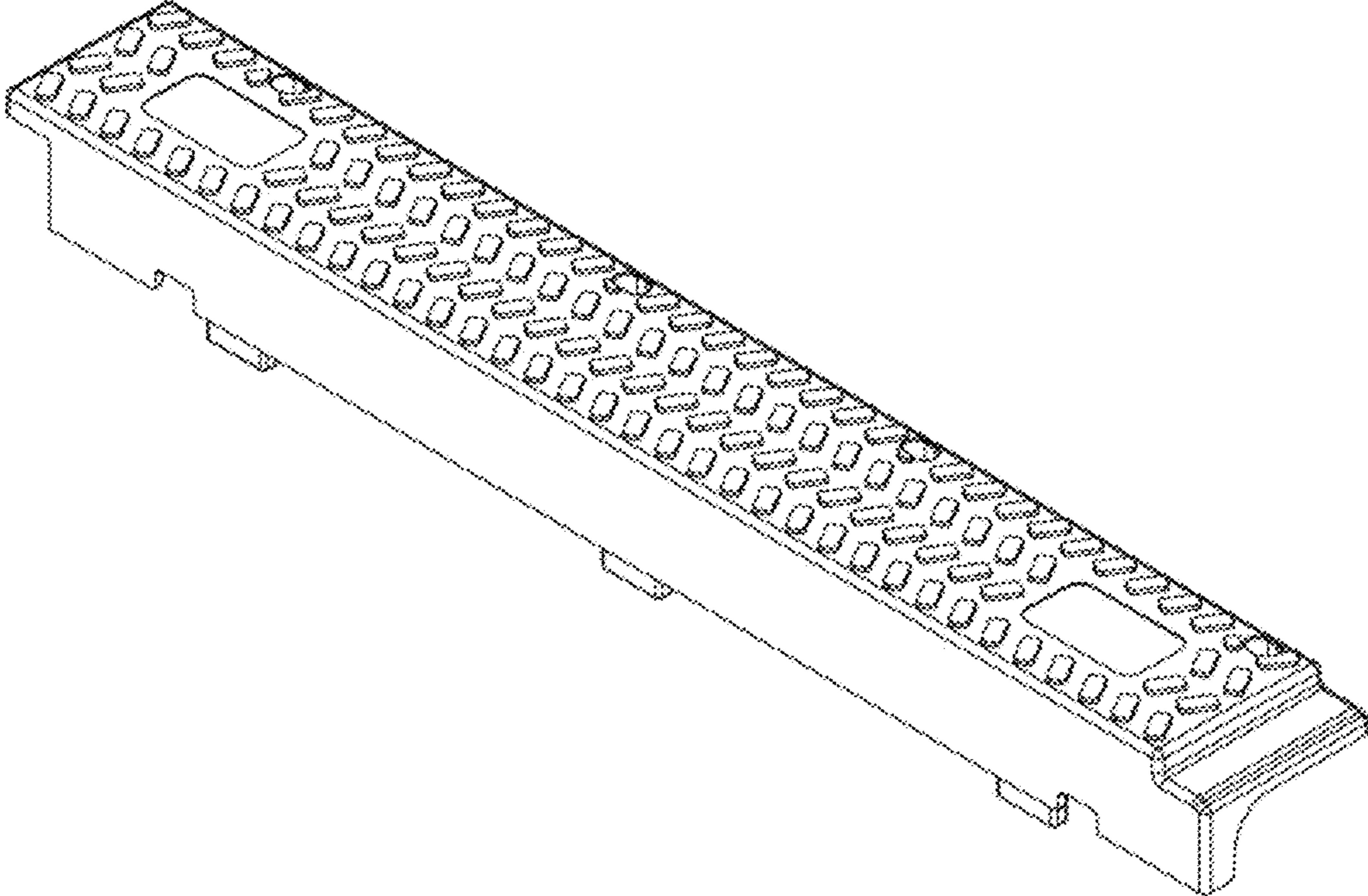


FIG. 27

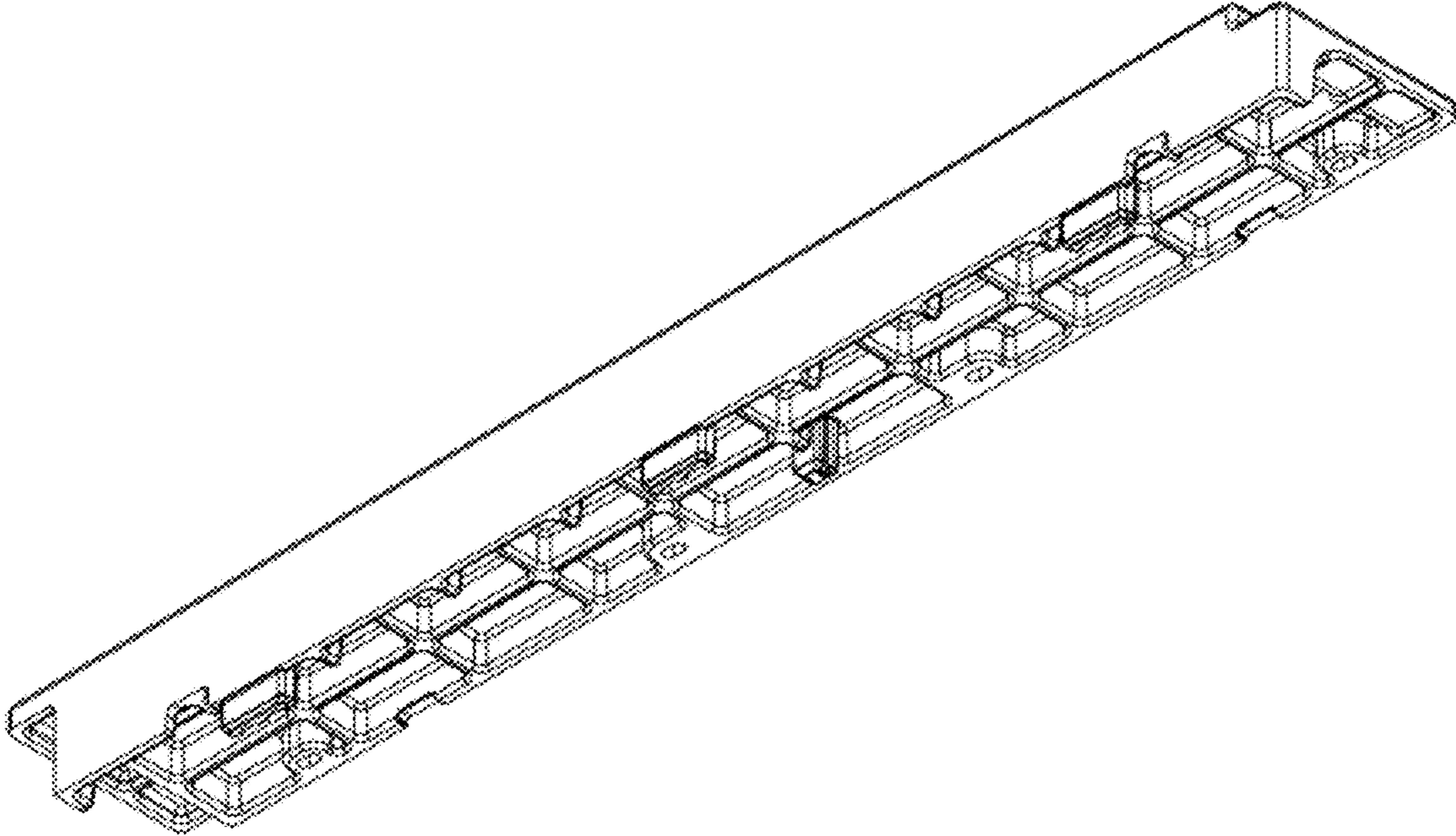


FIG. 28

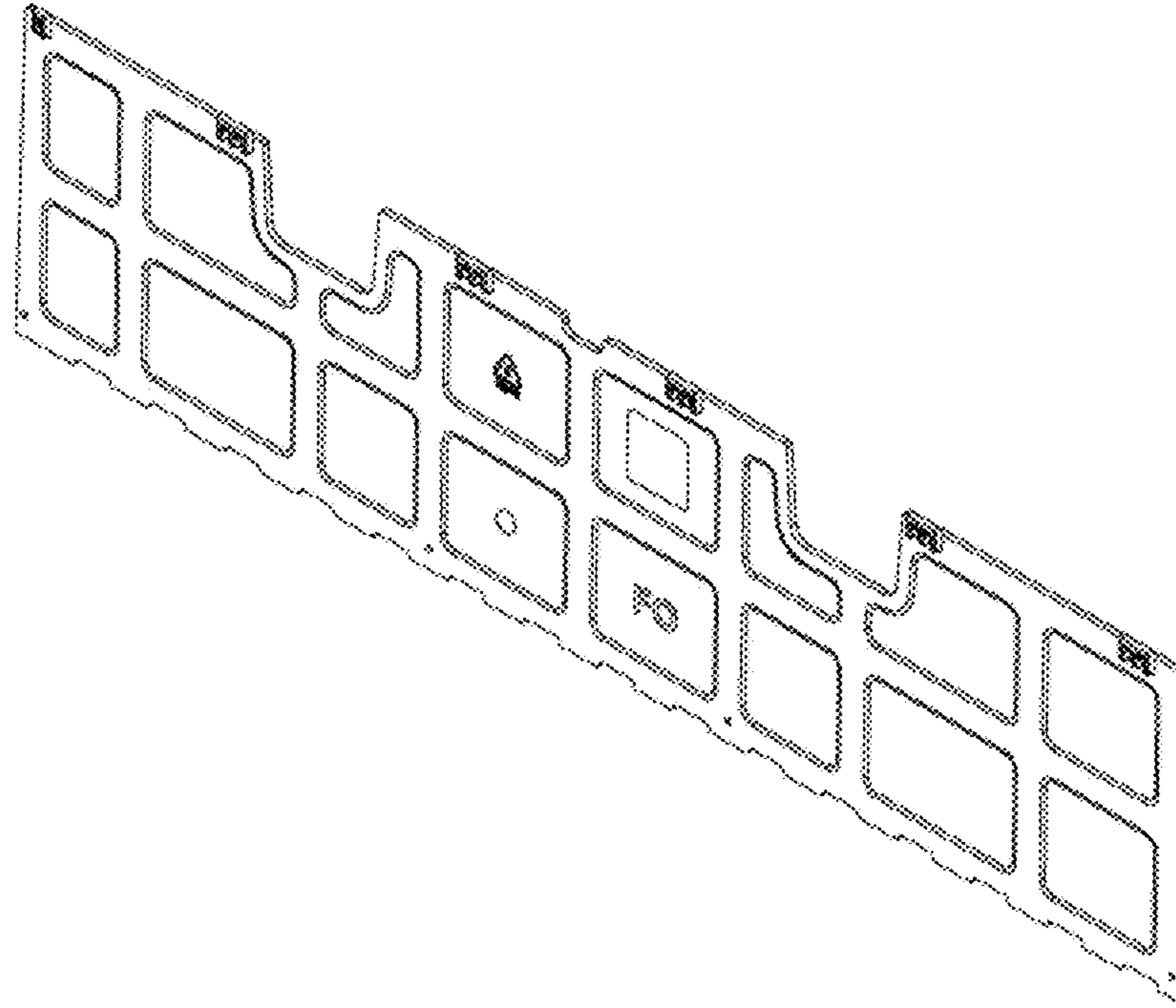


FIG. 29

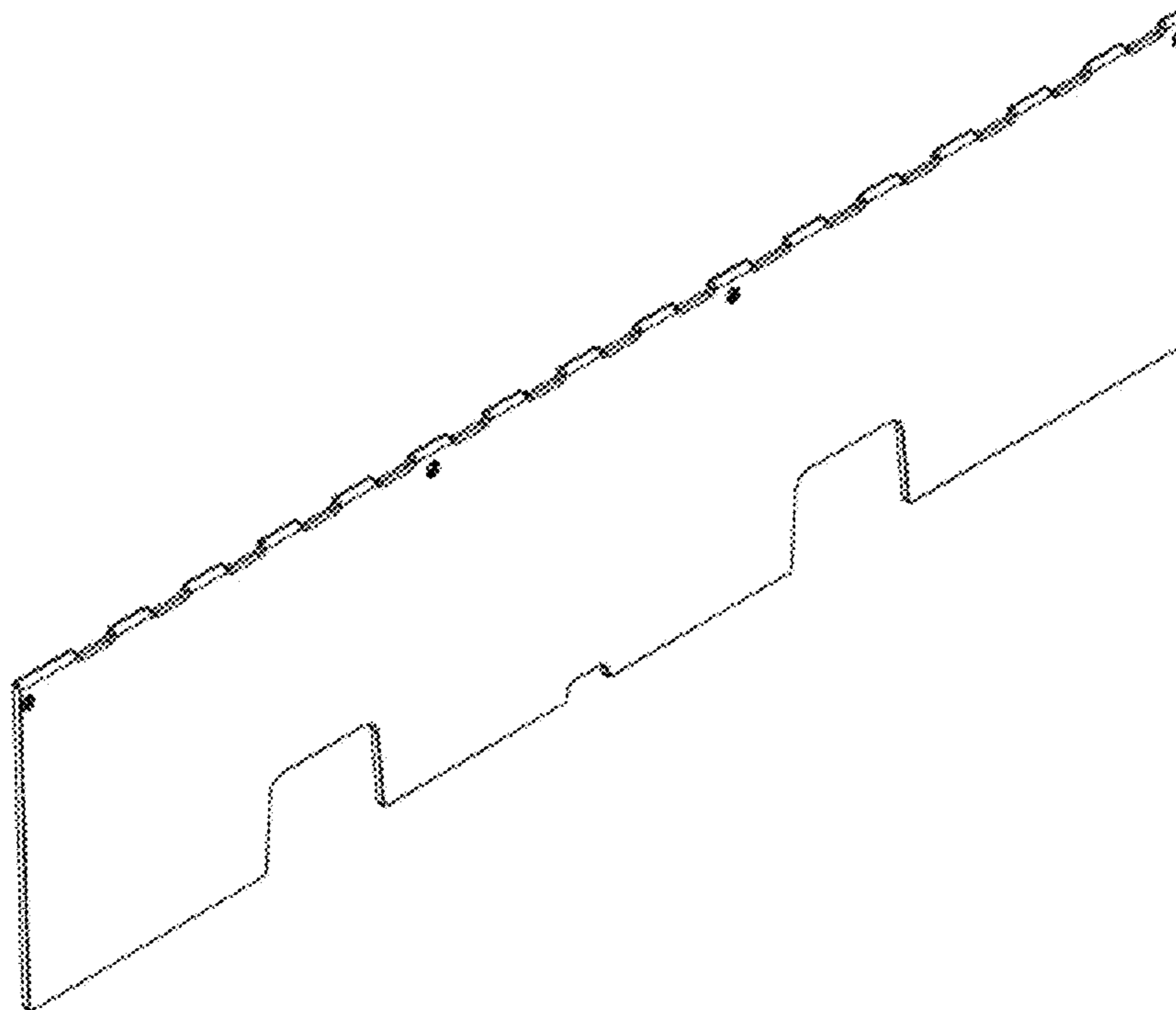


FIG. 30

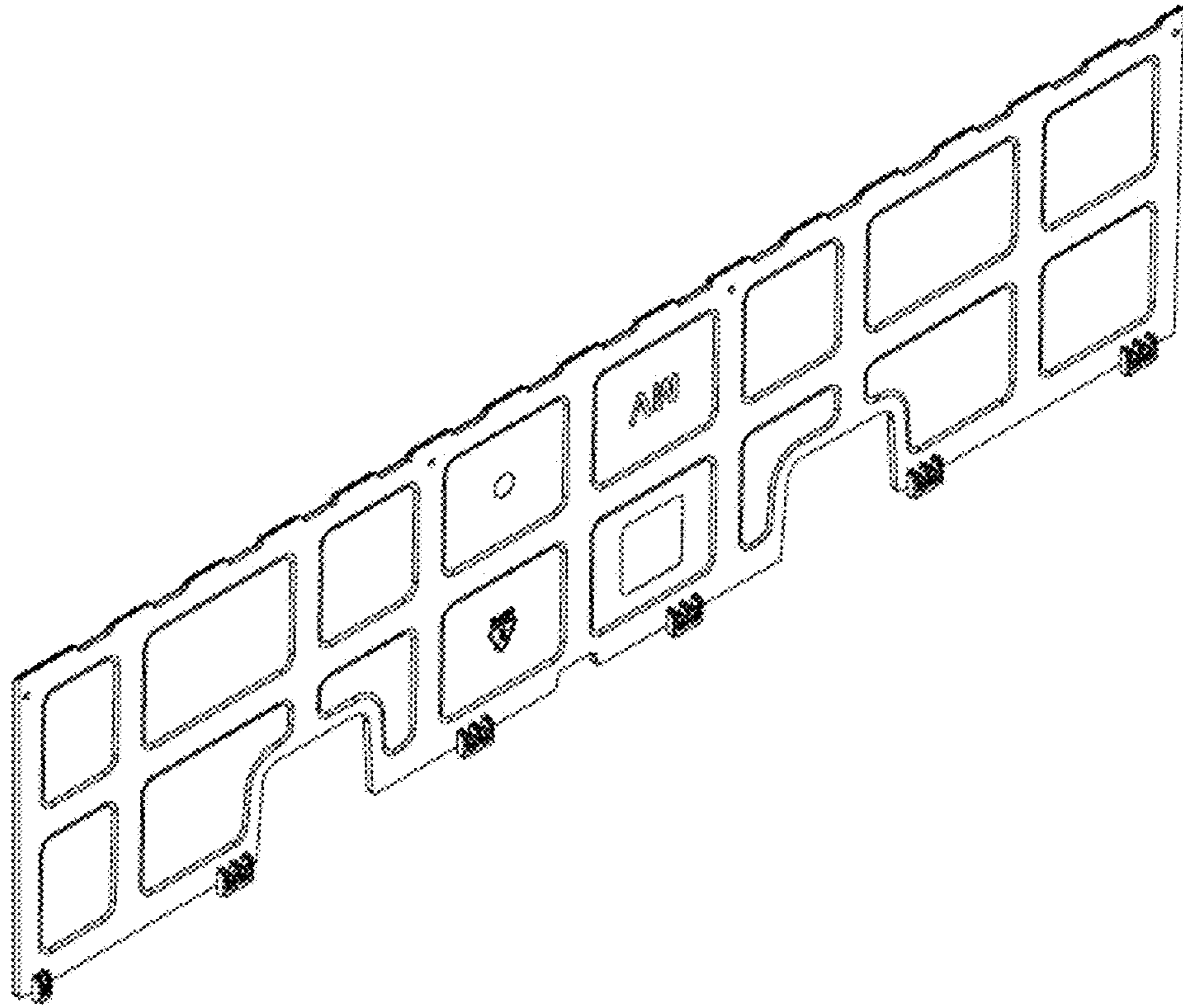


FIG. 31

