



US00D938361S

(12) **United States Design Patent** (10) **Patent No.:** **US D938,361 S**  
**Chang et al.** (45) **Date of Patent:** **\*\* Dec. 14, 2021**

(54) **SURGE PROTECTOR ADAPTOR**  
(71) Applicant: **SCHNEIDER ELECTRIC IT CORPORATION**, Foxboro, MA (US)  
(72) Inventors: **Yi-Ching Chang**, New Taipei (TW); **Chung-Hui Chen**, New Taipei (TW); **Zeqian Li**, Shanghai (CN)  
(73) Assignee: **SCHNEIDER ELECTRIC IT CORPORATION**, Foxboro, MA (US)

D755,127 S \* 5/2016 Wong ..... D13/137.2  
D807,295 S \* 1/2018 Xu ..... D13/137.2  
D832,215 S \* 10/2018 Xu ..... D13/137.2  
D835,042 S \* 12/2018 Qiu ..... D13/137.2  
(Continued)

**FOREIGN PATENT DOCUMENTS**

CN 301215717 5/2010  
CN 304073999 \* 1/2019  
(Continued)

**OTHER PUBLICATIONS**

APC PM1W-GR Surge Protection by Schneider Electric. Conrad.com. Retrieval date: Mar. 13, 2021. Retrieved from internet: <https://www.conrad.com/p/apc-by-schneider-electric-pm1w-gr-surge-protection-in-line-connector-white-1431284> (Year: 2021).\*

(Continued)

*Primary Examiner* — Lilyana Bekic  
*Assistant Examiner* — Lee D. Starr  
(74) *Attorney, Agent, or Firm* — Lando & Anastasi, LLP

(57) **CLAIM**

The ornamental design for a surge protector adaptor, as shown and described.

**DESCRIPTION**

FIG. 1 is a front perspective view of a surge protector adaptor;  
FIG. 2 is a back perspective view thereof;  
FIG. 3 is a front view thereof;  
FIG. 4 is a back view thereof;  
FIG. 5 is a left side elevational view thereof;  
FIG. 6 is a right side elevational view thereof;  
FIG. 7 is a top view thereof; and,  
FIG. 8 is a bottom view thereof.

The dash-dash broken lines shown in the drawing figures depict portions of the surge protector adaptor that form no part of the claimed design.

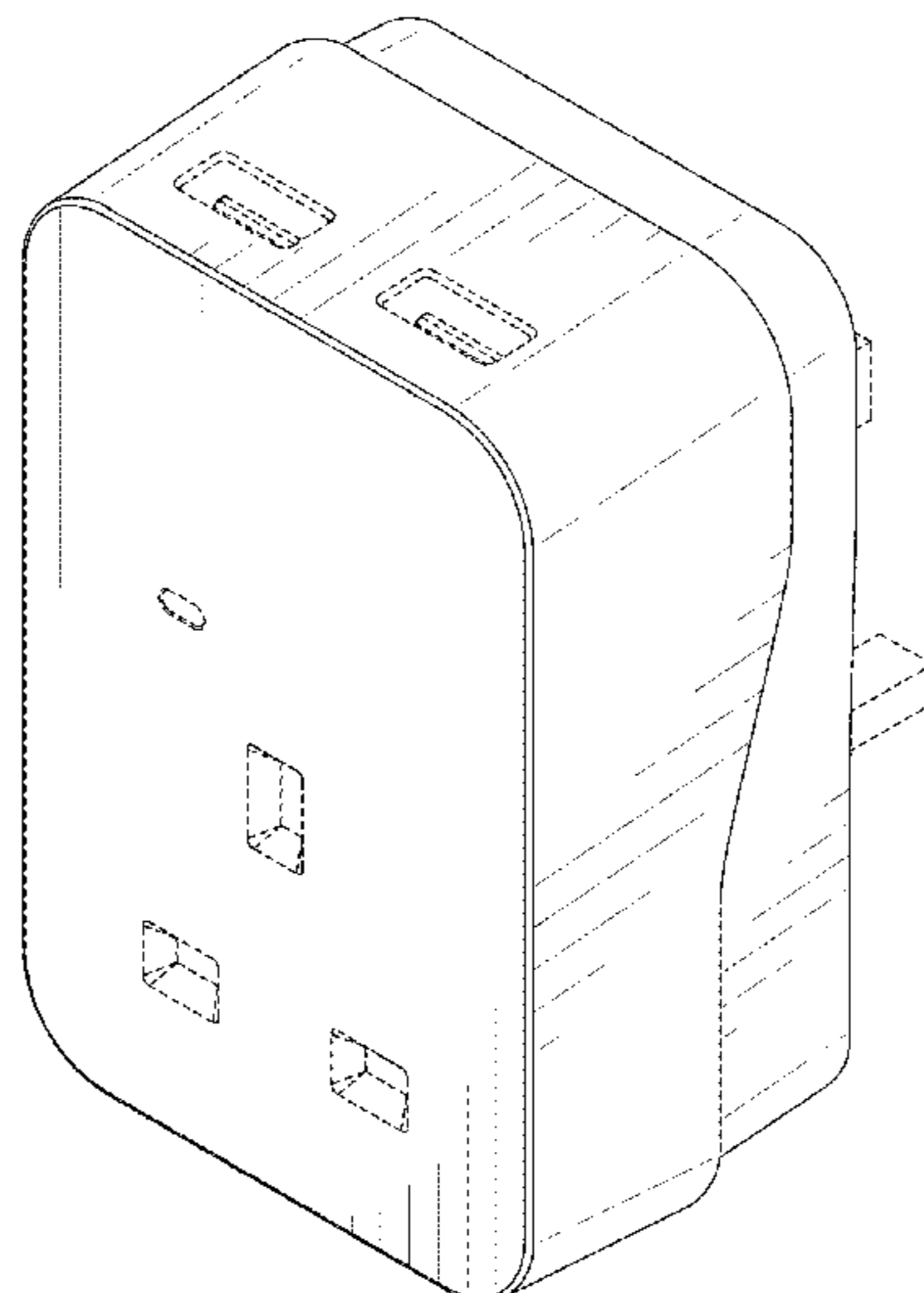
**1 Claim, 8 Drawing Sheets**

(\*\*) Term: **15 Years**  
(21) Appl. No.: **29/698,529**  
(22) Filed: **Jul. 17, 2019**  
(51) **LOC (13) Cl.** ..... **13-03**  
(52) **U.S. Cl.**  
USPC ..... **D13/137.2**  
(58) **Field of Classification Search**  
USPC ..... D13/137.1–137.4, 138.1, 138.2,  
D13/139.1–139.8, 146, 147, 154, 158,  
D13/171, 173, 174, 184, 107, 108, 110;  
D14/432, 433  
CPC .. H01R 13/639; H01R 13/6392; H01R 13/64;  
H01R 13/642; H01R 13/648; H01R  
13/652; H01R 13/66; H01R 13/6666;  
H01R 13/6683; H01R 13/68; H01R  
13/713; H01R 24/20; H01R 24/22; H01R  
24/28; H01R 24/30; H01R 2103/00;  
H01R 25/00; H01R 25/003; H01R  
25/006; H01R 25/164–167; H01R 31/06;  
H01H 2207/22; H05K 5/02; H05K  
5/0247  
See application file for complete search history.

(56) **References Cited**

**U.S. PATENT DOCUMENTS**

D545,273 S \* 6/2007 Lee ..... D13/139.3  
D609,642 S \* 2/2010 Gandolfi ..... D13/137.2  
D751,038 S \* 3/2016 Lin ..... D13/137.2



(56)

References Cited

U.S. PATENT DOCUMENTS

D843,943 S \* 3/2019 Yang ..... D13/137.2  
 D858,439 S \* 9/2019 Li ..... D13/108  
 D861,614 S \* 10/2019 Xu ..... D13/137.2  
 D867,295 S \* 11/2019 Shaopeng ..... D13/137.2  
 D872,695 S \* 1/2020 Bo ..... D13/137.2  
 D880,425 S \* 4/2020 Chen ..... D13/137.3  
 D908,630 S \* 1/2021 Huang ..... D13/137.2  
 D909,305 S \* 2/2021 Shaopeng ..... D13/137.2  
 D909,307 S \* 2/2021 Shaopeng ..... D13/137.2

FOREIGN PATENT DOCUMENTS

CN 305301752 \* 8/2019  
 EM 003442300-0001 10/2016  
 EM 005513157-0001 \* 7/2018  
 GB 6082731 \* 2/2020  
 GB 6082732 \* 2/2020  
 JP 1169066 3/2003  
 JP HJ20032331 10/2008  
 JP HB24000676 3/2012  
 JP HB26000081 1/2014  
 JP HJ26063670 2/2015  
 JP HB27000791 3/2015  
 JP HB27005087 11/2015  
 JP HJ30044457 11/2018  
 KR 300649337.0000 \* 6/2012  
 KR 300649337.0001 \* 6/2012

KR 300776299.0000 \* 12/2014  
 KR 300776299.0001 \* 12/2014  
 KR 30-0784409 2/2015  
 KR 300892373.0000 \* 1/2017

OTHER PUBLICATIONS

Essential Surge Protector manual by Schneider Electric. Conrad.com. Copyright date: Apr. 2015. Retrieval date: Mar. 13, 2021. Retrieved from internet: <https://asset.conrad.com/media10/add/160267/c1/-/gl/001431284ML02/manual-1431284-apc-by-schneider-electric-pm1w-gr-surge-protection-in-line-connector-white.pdf> (Year: 2015).\*

APC PME1WB-GR Surge Protection by Schneider Electric. Conrad.com. Retrieval date: Mar. 13, 2021. Retrieved from internet: <https://www.conrad.com/p/apc-by-schneider-electric-pme1wb-gr-surge-protection-in-line-connector-black-2236878> (Year: 2021).\*

APC PME1WU2B-GR Surge Protection by Schneider Electric. Conrad.com. Retrieval date: Mar. 13, 2021. Retrieved from internet: <https://www.conrad.com/p/apc-by-schneider-electric-pme1wu2b-gr-surge-protection-in-line-connector-usb-black-2236879> (Year: 2021).\*

Home/Office/Performance Surge Protector manual by Schneider Electric. Conrad.com. Copyright date: Jul. 2019. Retrieval date: Mar. 13, 2021. Retrieved from internet: <https://asset.conrad.com/media10/add/160267/c1/-/gl/002236879ML00/manual-2236879-apc-by-schneider-electric-pme1wu2b-gr-surge-protection-in-line-connector-usb-black.pdf> (Year: 2019).\*

\* cited by examiner

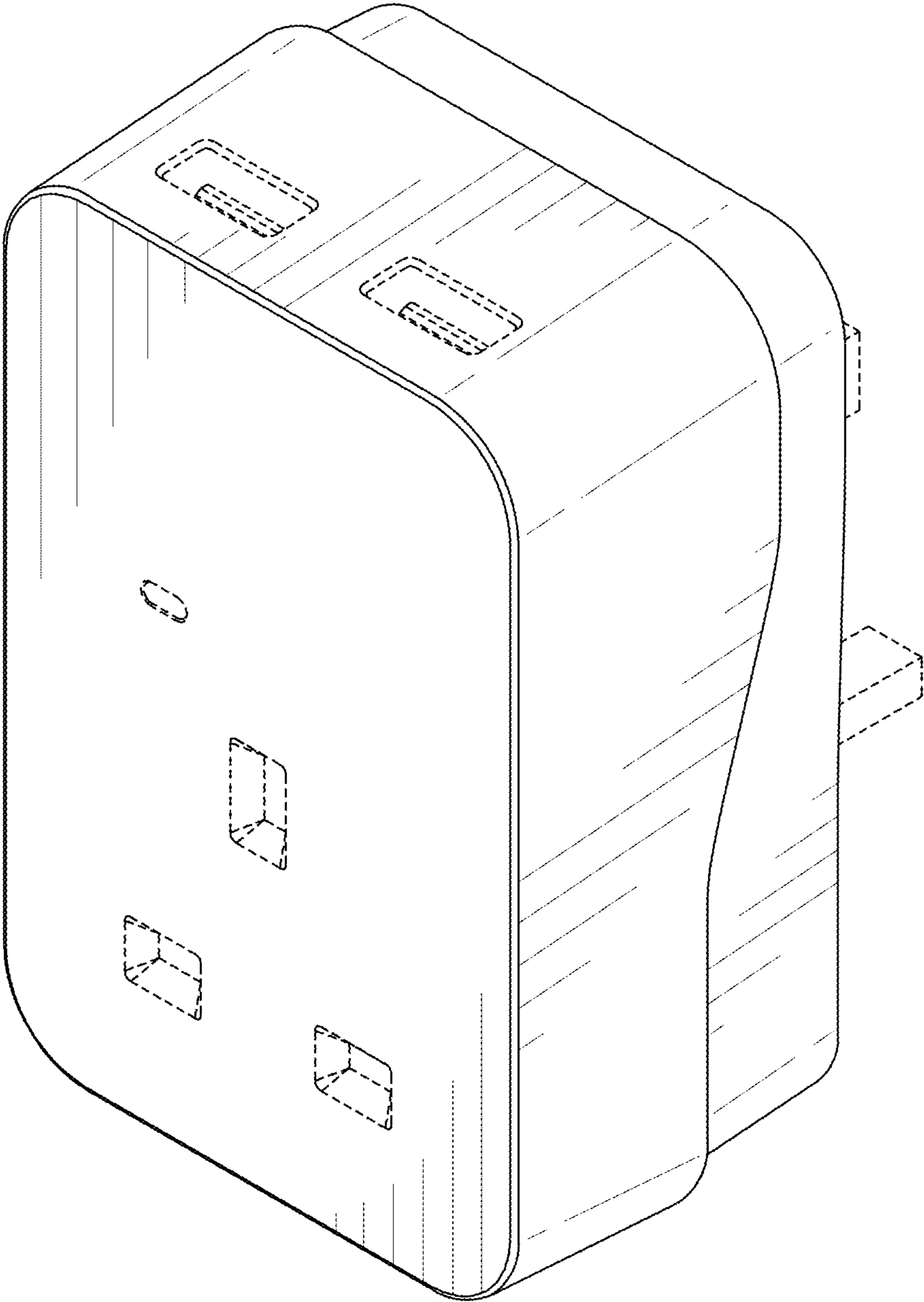


FIG. 1

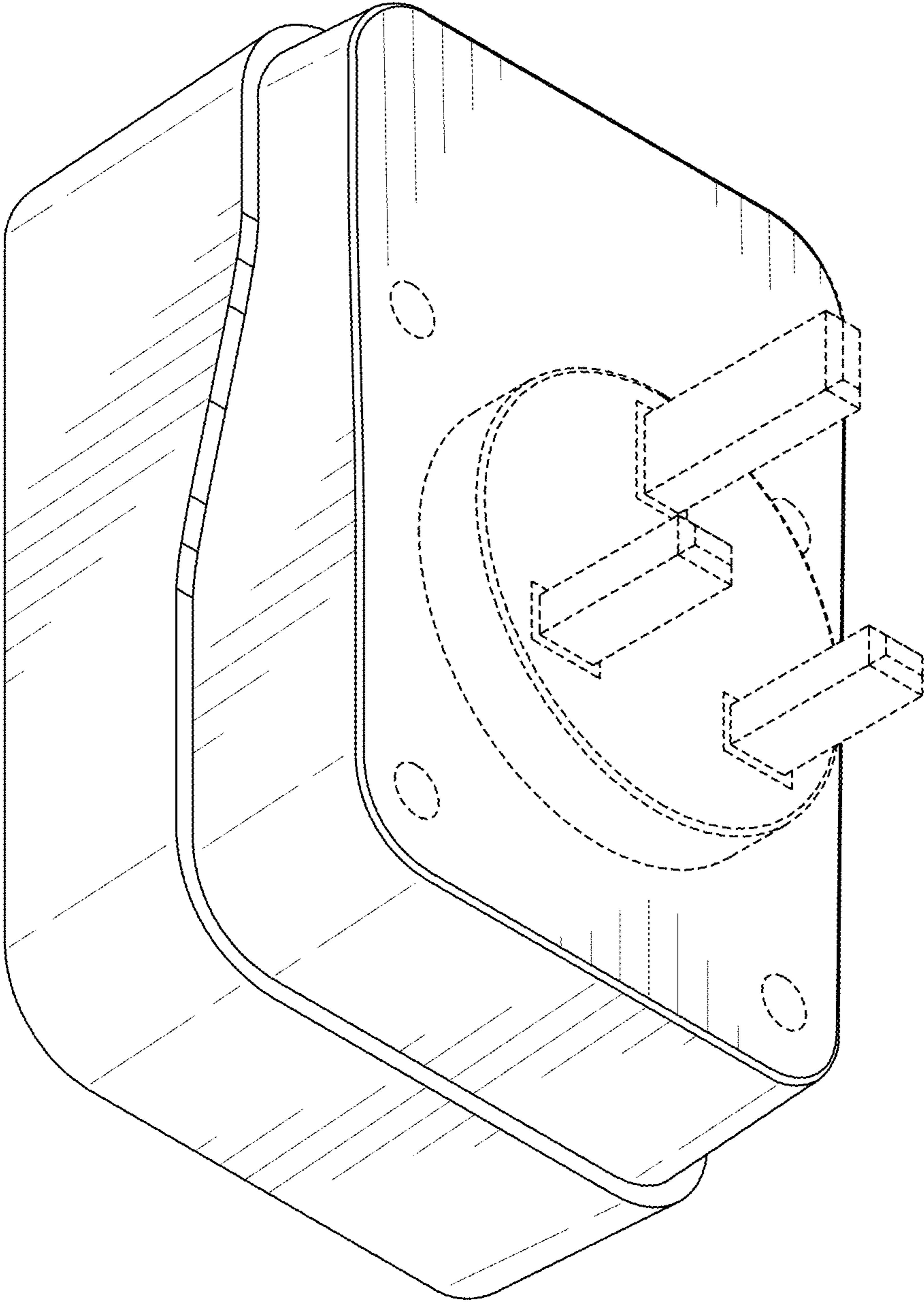


FIG. 2



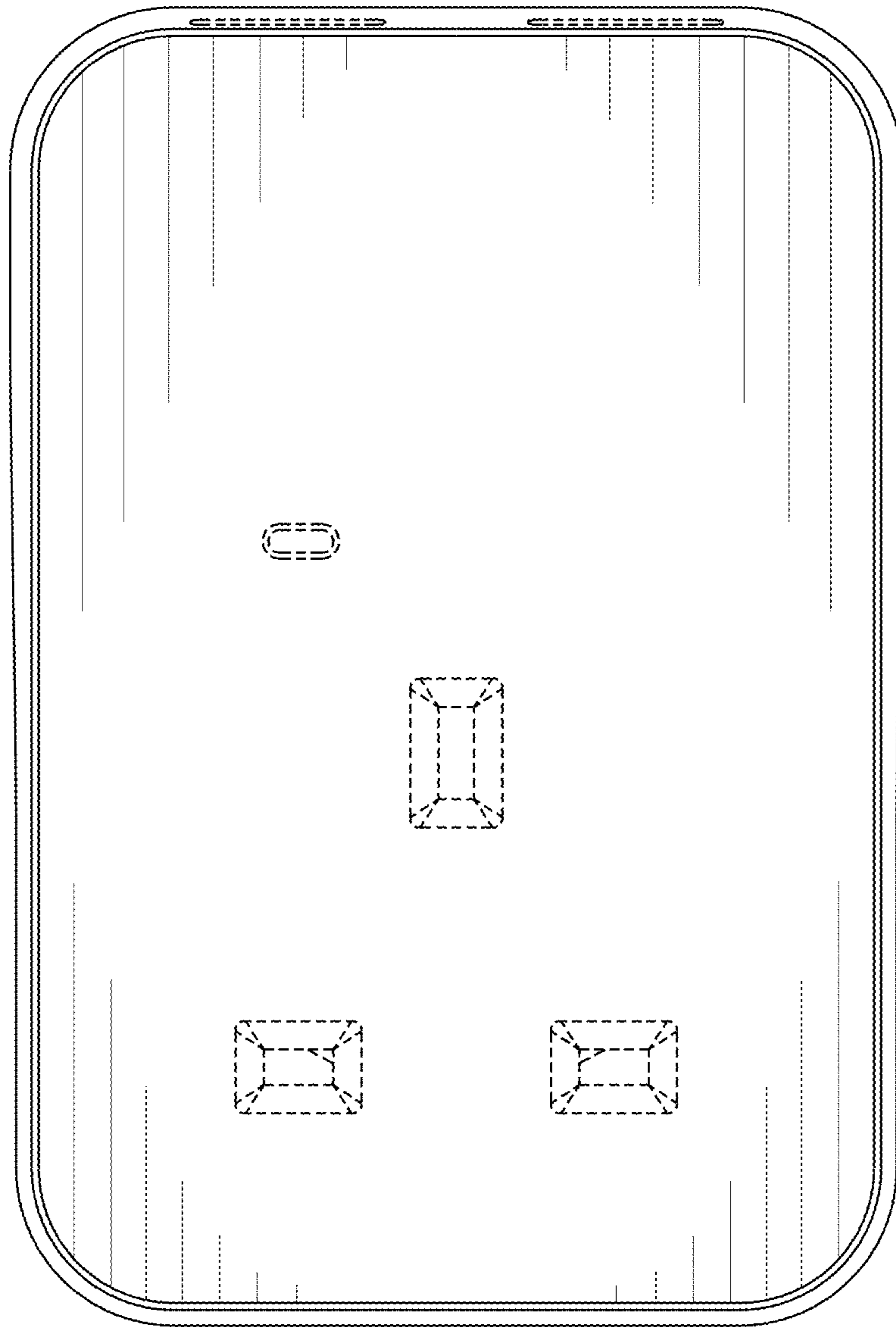


FIG. 3

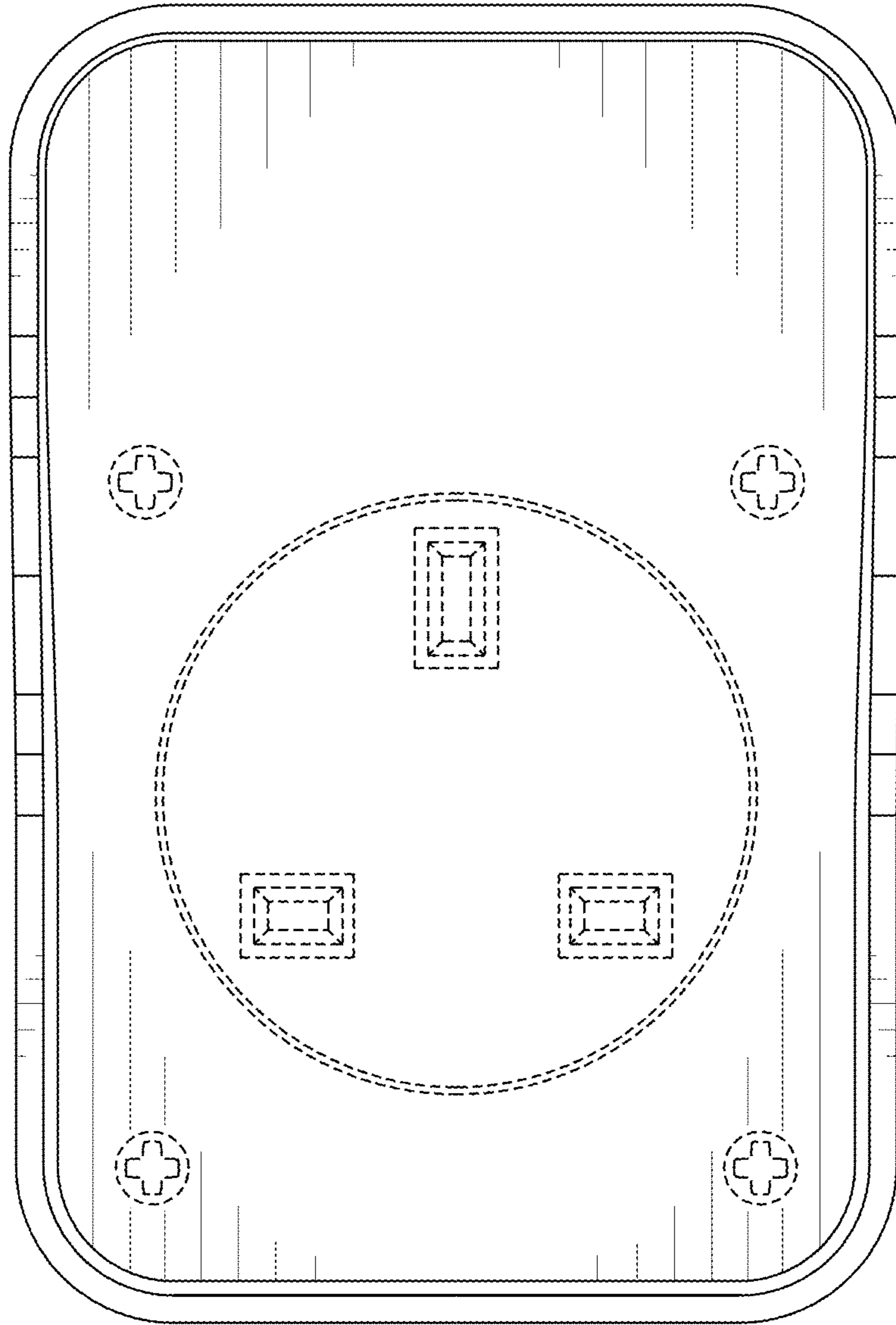


FIG. 4

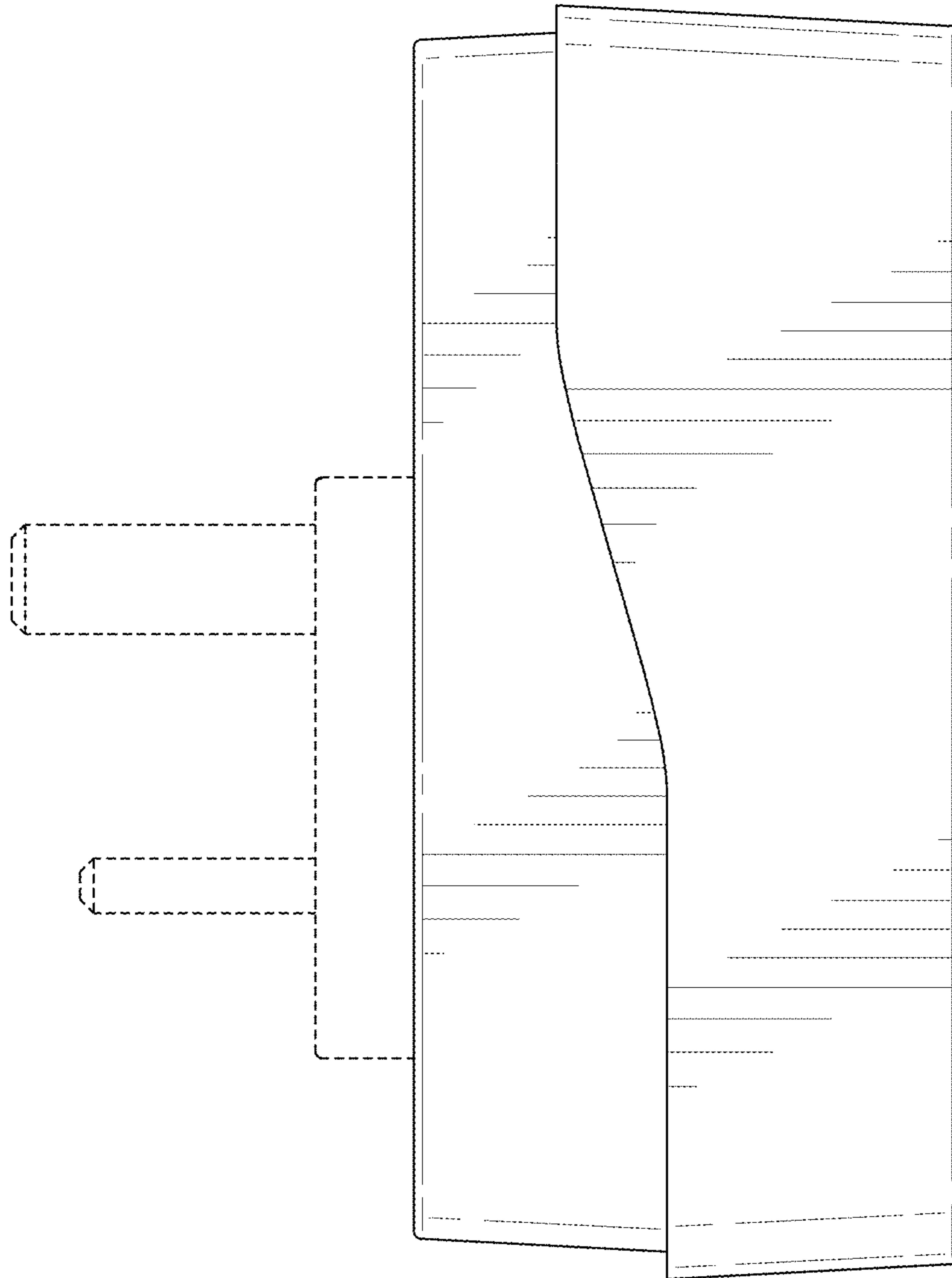


FIG. 5

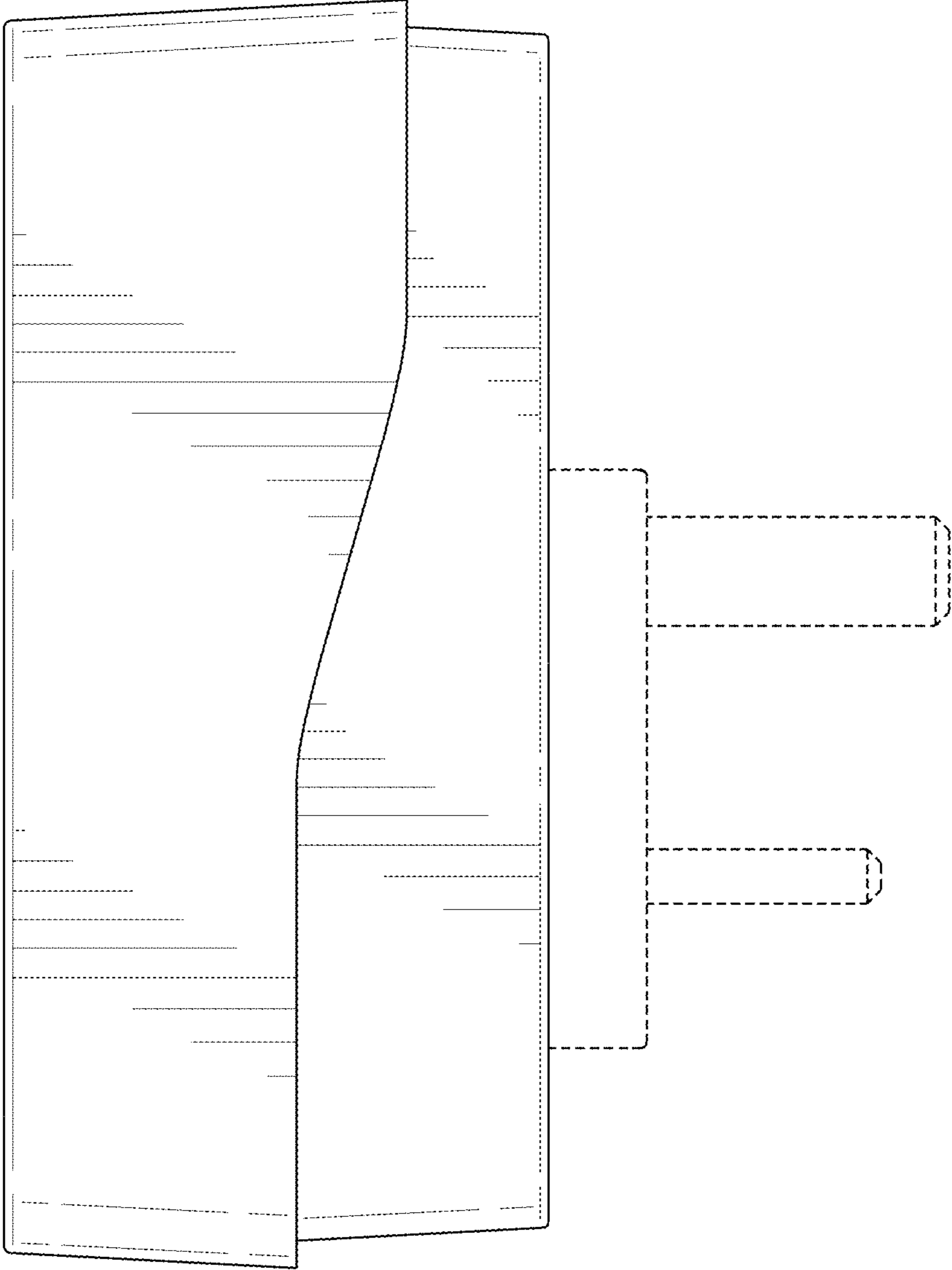


FIG. 6



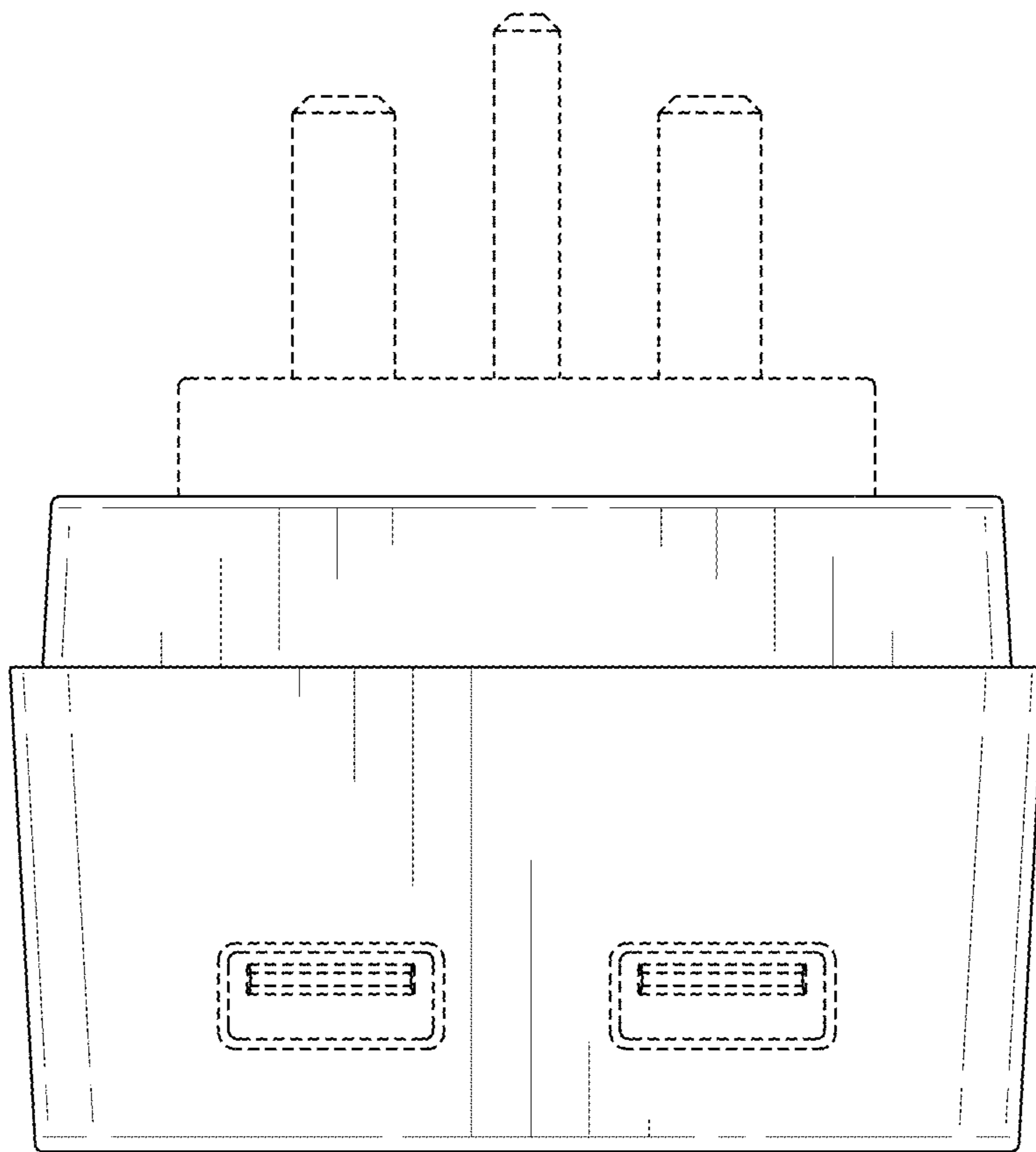


FIG. 7

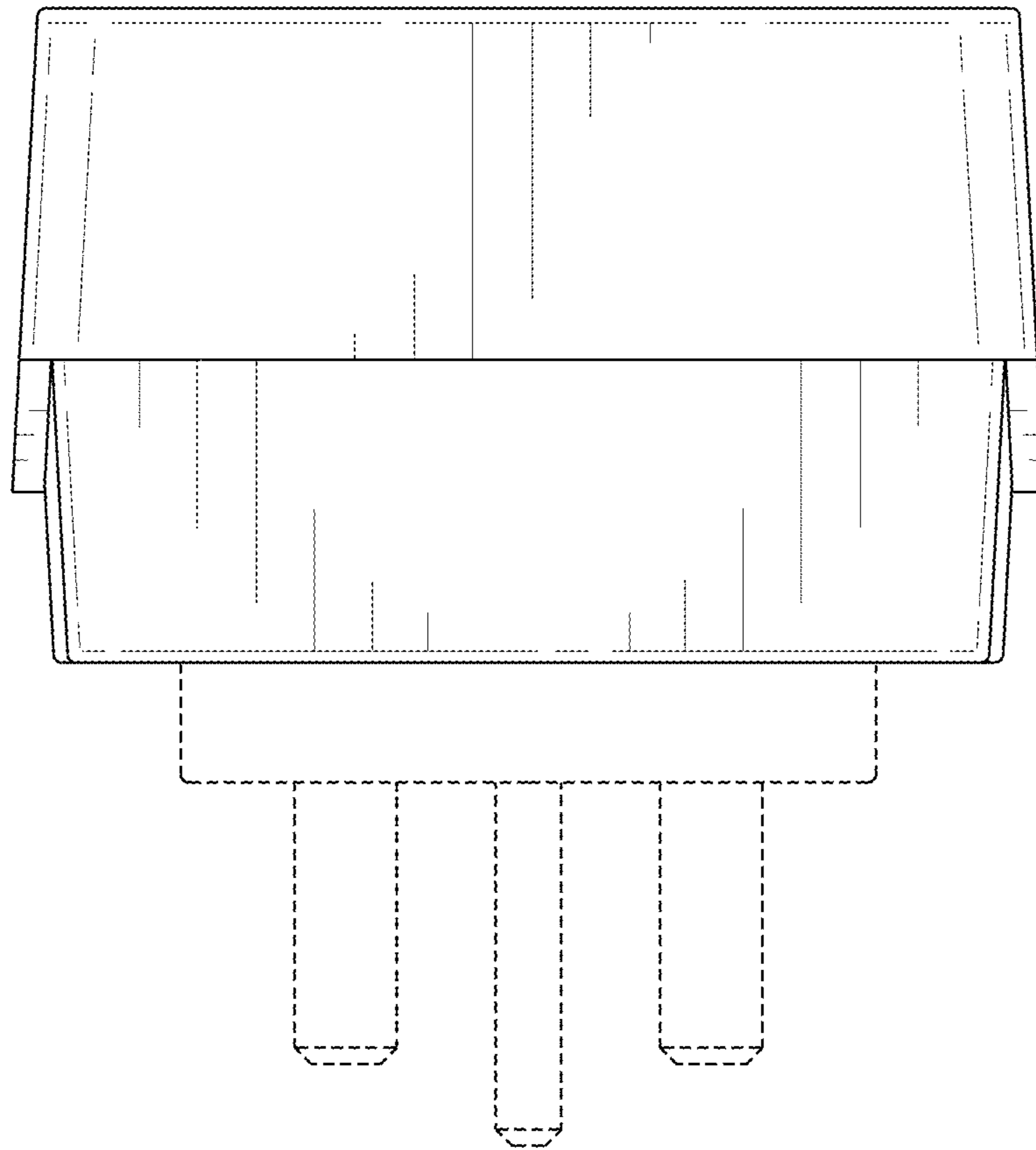


FIG. 8