



US00D938360S

(12) **United States Design Patent** (10) **Patent No.:** **US D938,360 S**  
**Chang et al.** (45) **Date of Patent:** **\*\* Dec. 14, 2021**

(54) **SURGE PROTECTOR**

FOREIGN PATENT DOCUMENTS

(71) Applicant: **SCHNEIDER ELECTRIC IT CORPORATION**, Foxboro, MA (US)

CN 303959040 12/2016  
EM 003442300-0001 10/2016

(Continued)

(72) Inventors: **Yi-Ching Chang**, New Taipei (TW);  
**Chung-Hui Chen**, New Taipei (TW);  
**Zeqian Li**, Shanghai (CN)

OTHER PUBLICATIONS

(73) Assignee: **SCHNEIDER ELECTRIC IT CORPORATION**, Foxboro, MA (US)

APC PM5U-GR Surge Protection Socket Strip by Schneider Electric. Conrad.com. Retrieval date: Mar. 13, 2021. Retrieved from internet: <https://www.conrad.com/p/apc-by-schneider-electric-pm5u-gr-surge-protection-socket-strip-5x-white-euro-plug-1-pcs-1333082> (Year: 2021).\*

(\*\*) Term: **15 Years**

(Continued)

(21) Appl. No.: **29/698,528**

(22) Filed: **Jul. 17, 2019**

*Primary Examiner* — Lilyana Bekic

(51) **LOC (13) Cl.** ..... **13-03**

*Assistant Examiner* — Lee D. Starr

(52) **U.S. Cl.**

(74) *Attorney, Agent, or Firm* — Lando & Anastasi, LLP

USPC ..... **D13/137.2**; D13/139.8

(58) **Field of Classification Search**

USPC ..... D13/137.1–137.4, 138.1, 138.2,  
D13/139.1–139.8, 146, 147, 154, 158,  
D13/171, 173, 174, 184, 107, 108, 110;  
D14/432, 433

CPC .. H01R 13/639; H01R 13/6392; H01R 13/64;  
H01R 13/642; H01R 13/648; H01R  
13/652; H01R 13/66; H01R 13/6666;  
H01R 13/6683; H01R 13/68; H01R  
13/713; H01R 24/20; H01R 24/22; H01R  
24/28; H01R 24/30; H01R 2103/00;  
H01R 25/00; H01R 25/003; H01R  
25/006; H01R 25/164–167;

(Continued)

(57) **CLAIM**

The ornamental design for a surge protector, as shown and described.

**DESCRIPTION**

FIG. 1 is a top perspective view of a surge protector;  
FIG. 2 is a bottom perspective view thereof;  
FIG. 3 is a top plan view thereof;  
FIG. 4 is a bottom plan view thereof;  
FIG. 5 is a right side elevational view thereof;  
FIG. 6 is a left side elevational view thereof;  
FIG. 7 is a front elevational view thereof; and,  
FIG. 8 is a back elevational view thereof.

The dash-dash broken lines shown in the drawing figures depict portions of the surge protector that form no part of the claimed design.

The surge protector is shown with dot-dot-dash broken lines indicating a symbolic break in its length. The appearance of any portion of the article between the dot-dot-dash broken lines forms no part of the claimed design.

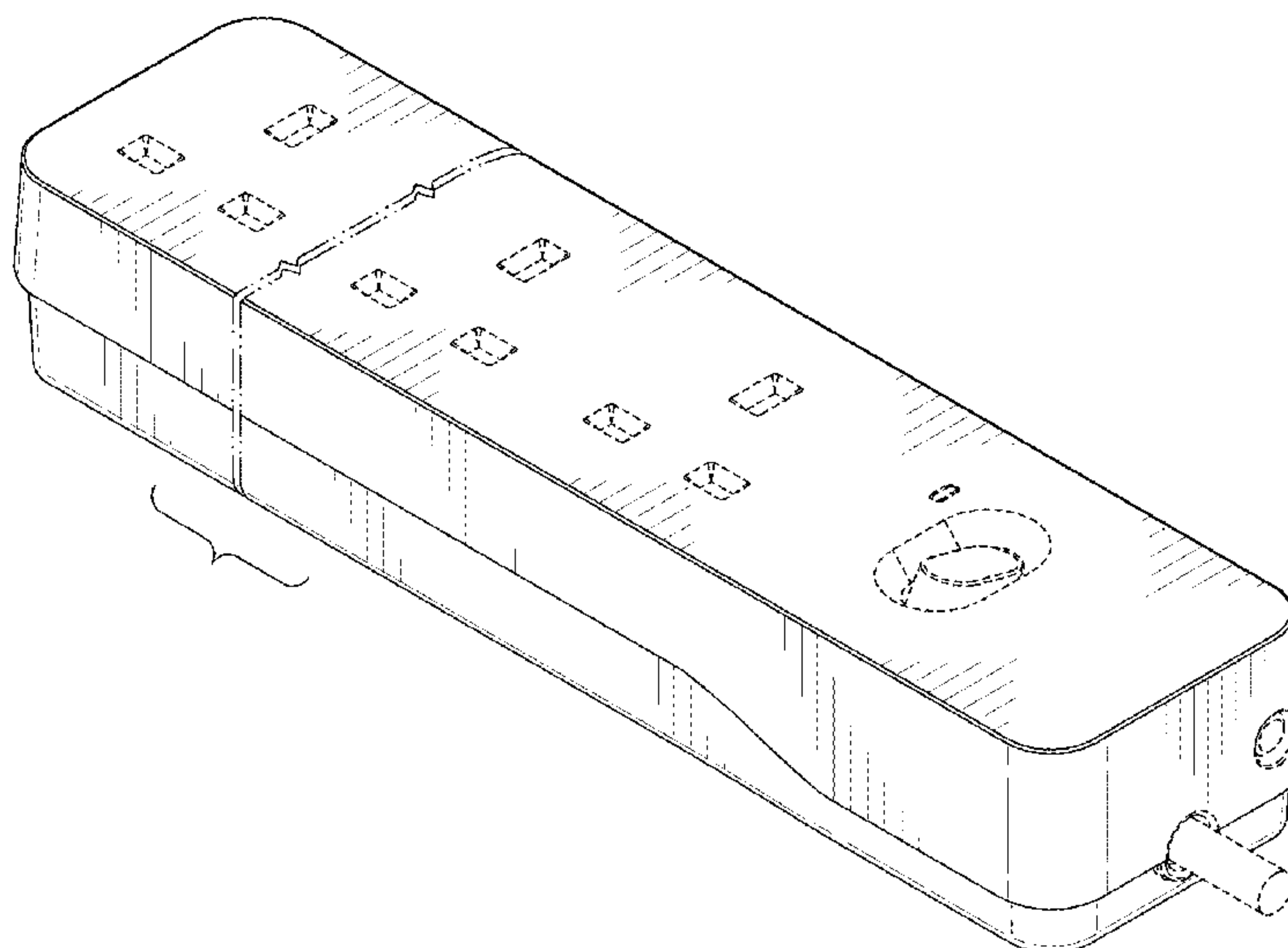
(56) **References Cited**

U.S. PATENT DOCUMENTS

5,274,527 A \* 12/1993 Retzlaff ..... H01R 13/44  
200/43.08  
6,015,307 A \* 1/2000 Chiu ..... H01R 13/71  
200/51.09

(Continued)

**1 Claim, 7 Drawing Sheets**



(58) **Field of Classification Search**  
 CPC .... H01R 31/06; H01H 2207/22; H05K 5/02;  
 H05K 5/0247  
 See application file for complete search history.

(56) **References Cited**

U.S. PATENT DOCUMENTS

D528,509	S	*	9/2006	Chesebro	.....	D13/139.8
D626,071	S	*	10/2010	Su	.....	D13/139.8
D786,797	S	*	5/2017	Hsu	.....	D13/137.2
D801,276	S	*	10/2017	Lin	.....	D13/139.7
D823,805	S	*	7/2018	Xu	.....	D13/139.8
D837,736	S	*	1/2019	Liao	.....	D13/139.7
D852,749	S	*	7/2019	Wang	.....	D13/139.8
D894,832	S	*	9/2020	Khalid	.....	D13/110
2013/0102194	A1	*	4/2013	Long	.....	H01R 25/003 439/620.21
2016/0036162	A1	*	2/2016	Ohler	.....	H01R 13/633 439/159
2018/0316201	A1	*	11/2018	Miller	.....	H01R 27/02
2020/0059055	A1	*	2/2020	Huang	.....	H01R 24/30

FOREIGN PATENT DOCUMENTS

GB	6104881	*	10/2020
GB	6104882	*	10/2020
IL	59593	*	11/2016
JP	30-0896160		3/2017
JP	HJ30024190		7/2018
JP	HJ30024192		7/2018
JP	HD30007231		11/2018

KR	30-0443305		3/2007
KR	300457981.0001	*	7/2007
KR	300649339.0000	*	6/2012
KR	300821222.0000	*	12/2014
KR	300781978.0000	*	1/2015
KR	30-0876256		10/2016
KR	300896160.0000	*	2/2017
KR	30-0962329		6/2018
KR	301092367.0000	*	1/2021

OTHER PUBLICATIONS

Essential Surge Protector manual by Schneider Electric. Conrad.com. Copyright date: Sep. 2015. Retrieval date: Mar. 13, 2021. Retrieved from internet: <https://asset.conrad.com/media10/add/160267/c1/-/gl/001333082ML01/manual-1333082-apc-by-schneider-electric-pm5u-gr-surge-protection-socket-strip-5x-white-euro-plug-1-pcs.pdf> (Year: 2015).\*

APC PME5U2B-GR Surge Protection Socket Strip by Schneider Electric. Conrad.com. Retrieval date: Mar. 13, 2021. Retrieved from internet: <https://www.conrad.com/p/apc-by-schneider-electric-pme5u2b-gr-surge-protection-socket-strip-black-pg-connector-1-pcs-2236881> (Year: 2021).\*

Home/Office/Performance Surge Protector manual by Schneider Electric. Conrad.com. Copyright date: Jul. 2019. Retrieval date: Mar. 13, 2021. Retrieved from internet: <https://asset.conrad.com/media10/add/160267/c1/-/gl/002236879ML00/manual-2236879-apc-by-schneider-electric-pme1wu2b-gr-surge-protection-in-line-connector-usb-black.pdf> (Year: 2019).\*

\* cited by examiner

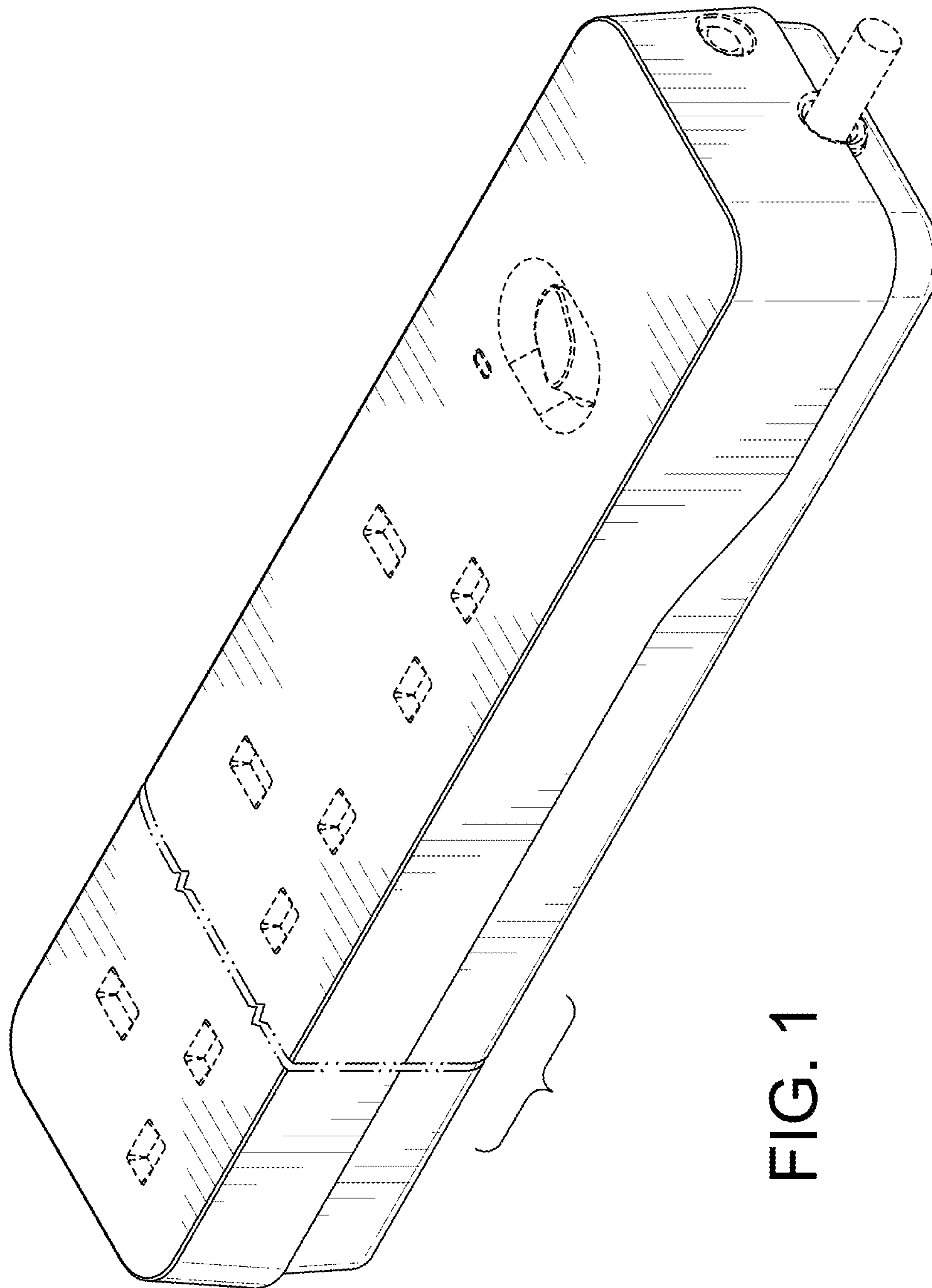


FIG. 1



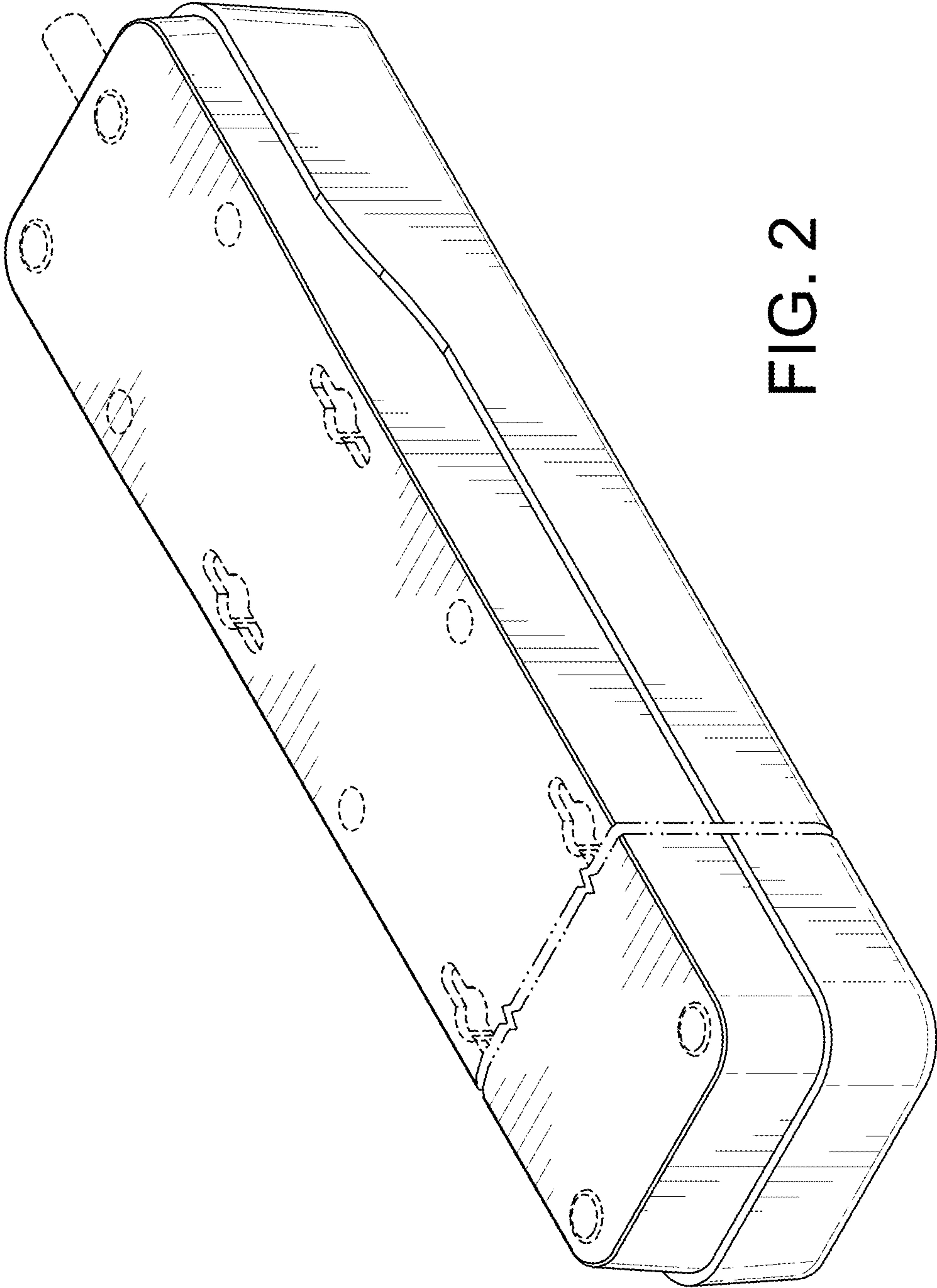


FIG. 2

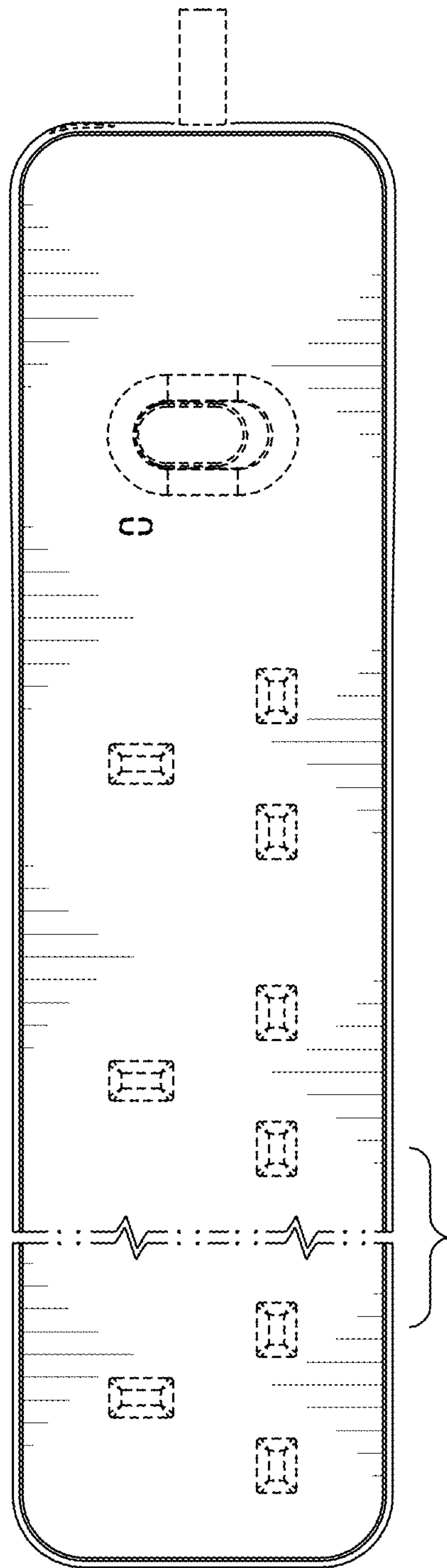


FIG. 3

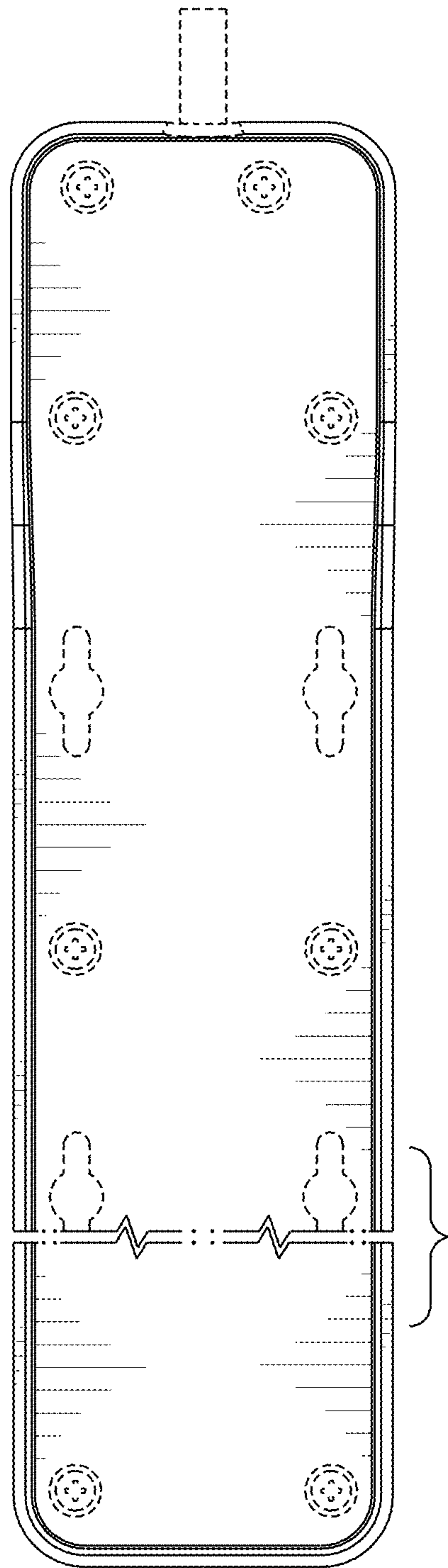


FIG. 4

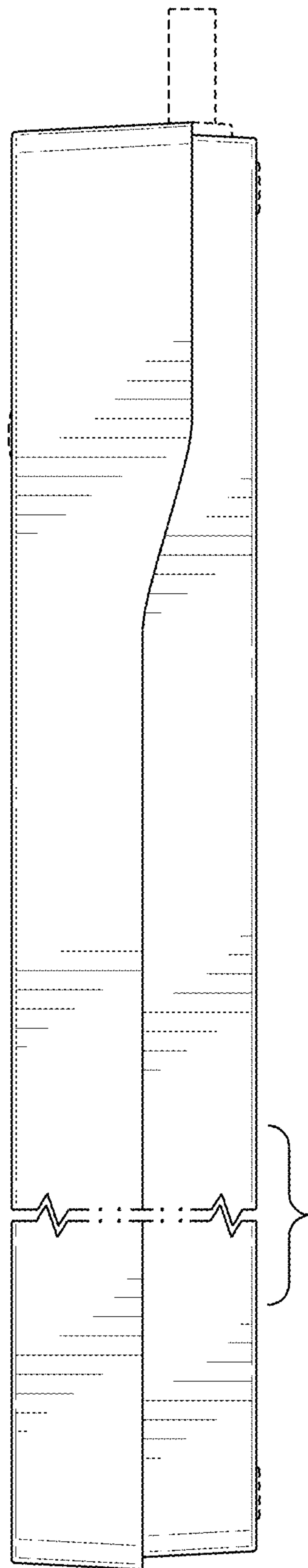


FIG. 5

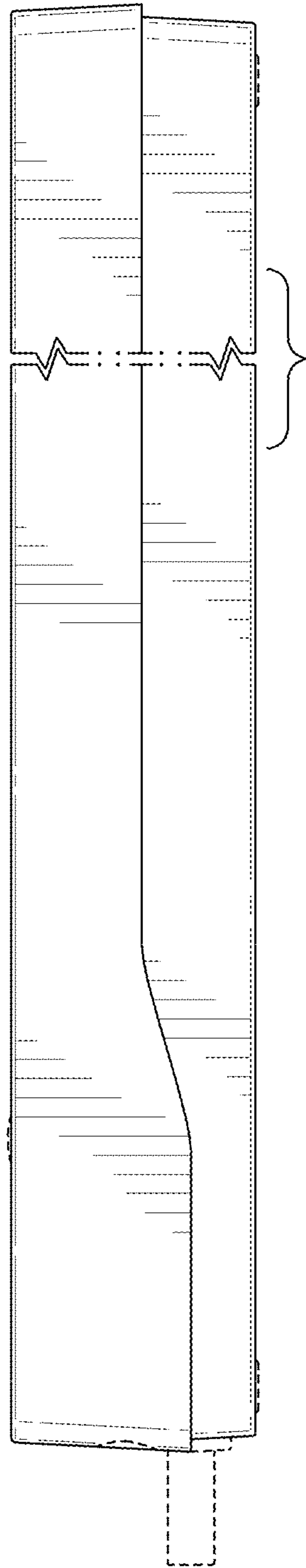


FIG. 6



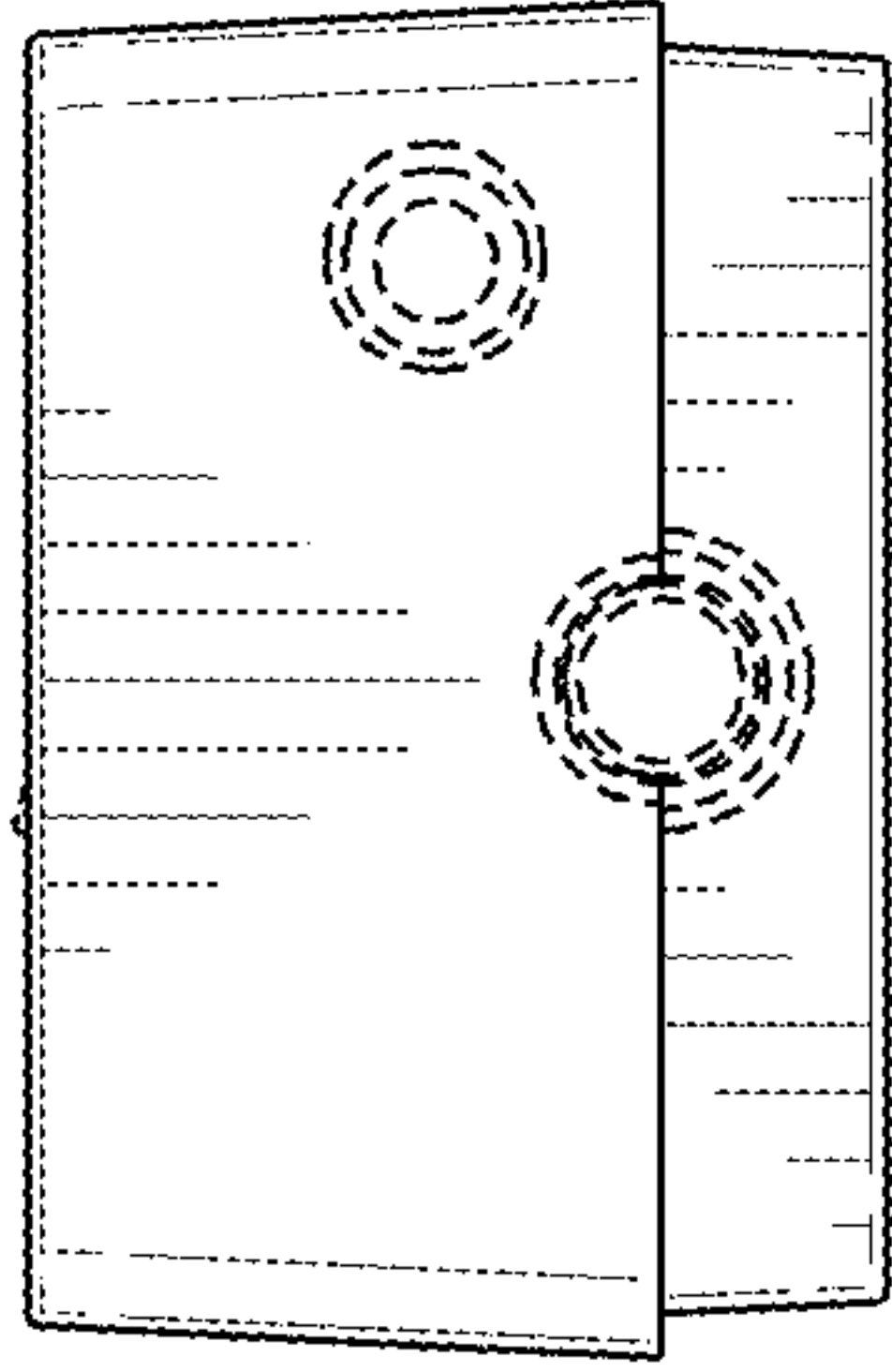


FIG. 8

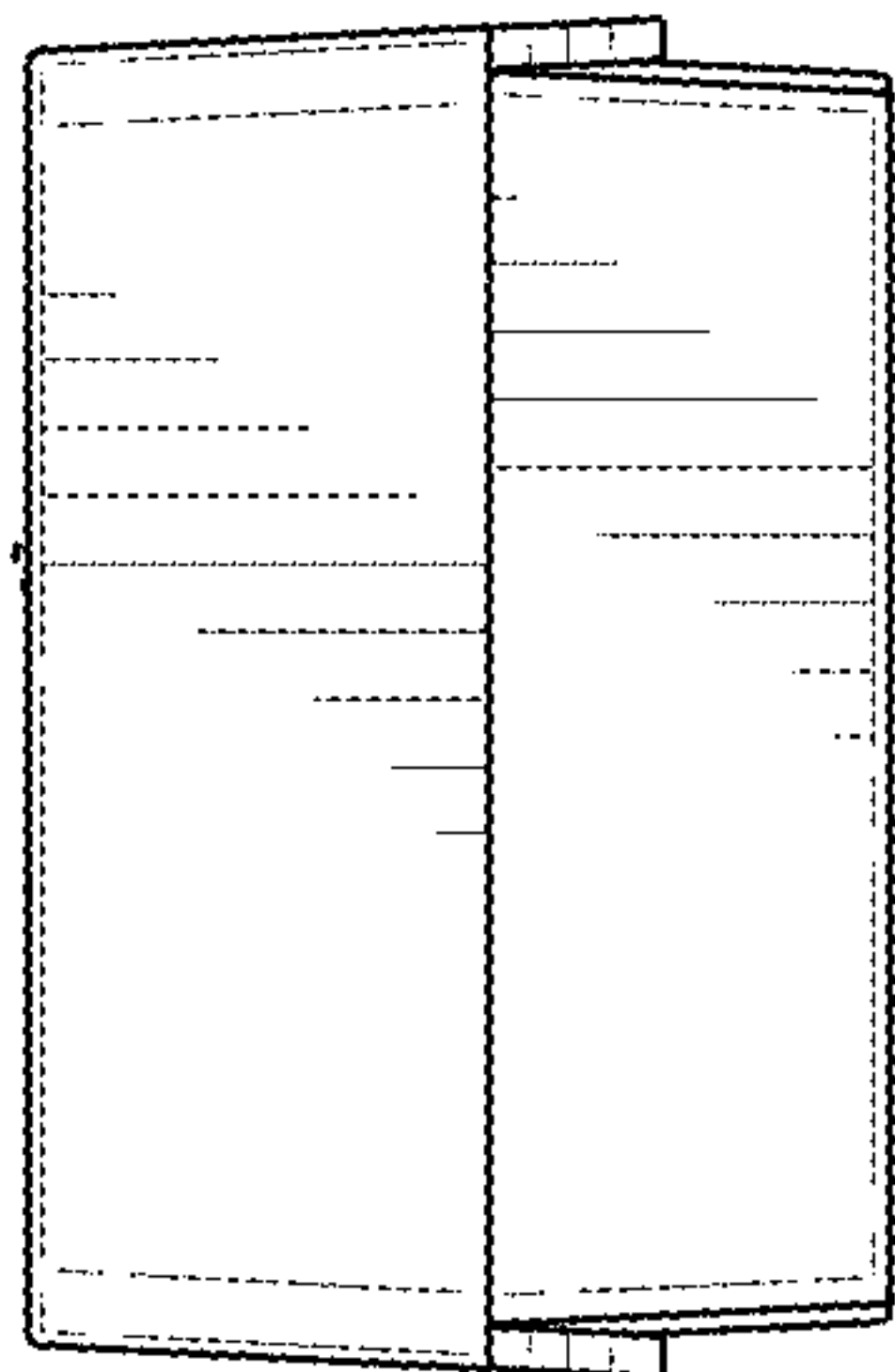


FIG. 7