



US00D938359S

(12) **United States Design Patent**
Ito et al.

(10) **Patent No.:** **US D938,359 S**

(45) **Date of Patent:** **** Dec. 14, 2021**

(54) **ELECTRICAL CONNECTOR**

(71) Applicant: **Molex, LLC**, Lisle, IL (US)

(72) Inventors: **Naotoshi Ito**, Yamato (JP); **Hiroki Kobayashi**, Yamato (JP)

(73) Assignee: **Molex, LLC**, Lisle, IL (US)

(**) Term: **15 Years**

(21) Appl. No.: **29/717,498**

(22) Filed: **Dec. 18, 2019**

(30) **Foreign Application Priority Data**

Jun. 21, 2019 (JP) 2019-013692

(51) **LOC (13) Cl.** **13-03**

(52) **U.S. Cl.**
USPC **D13/133**

(58) **Field of Classification Search**
USPC D13/118, 120, 154, 173, 103, 107, 108,
D13/110, 112, 123, 133, 137.1, 145-147,
D13/149-156, 158, 177, 184, 199, 242;
D14/240, 242, 256, 432, 433, 434, 435.1,
D14/438, 480.1-480.7, 484
See application file for complete search history.

(56) **References Cited**

U.S. PATENT DOCUMENTS

5,667,403	A *	9/1997	Fukuda	H01R 13/641
					439/188
6,827,596	B2 *	12/2004	Hori	H01R 13/6275
					439/188
D524,751	S	7/2006	Lee et al.		
D538,230	S *	3/2007	Kudo	D13/147
D538,231	S *	3/2007	Kudo	D13/147
D583,324	S *	12/2008	Iijima	D13/147
D585,382	S *	1/2009	Kudo	D13/147
8,944,844	B2 *	2/2015	Myer	H01R 13/641
					439/489

D748,588	S	2/2016	Endo et al.		
9,620,879	B2 *	4/2017	Li	H01R 4/185
9,761,977	B2 *	9/2017	Yang	H01R 43/16
10,263,350	B2 *	4/2019	Huo	H01R 12/716
D847,756	S	5/2019	Endo et al.		

(Continued)

FOREIGN PATENT DOCUMENTS

JP	S828543	S	2/1992		
JP	S888816	S	1/1994		

(Continued)

OTHER PUBLICATIONS

Non-Final rejection received for U.S. Appl. No. 29/717,495, dated Dec. 23, 2020, 9 pages.

(Continued)

Primary Examiner — Susan Bennett Hattan
Assistant Examiner — Landon Thomas Cassell

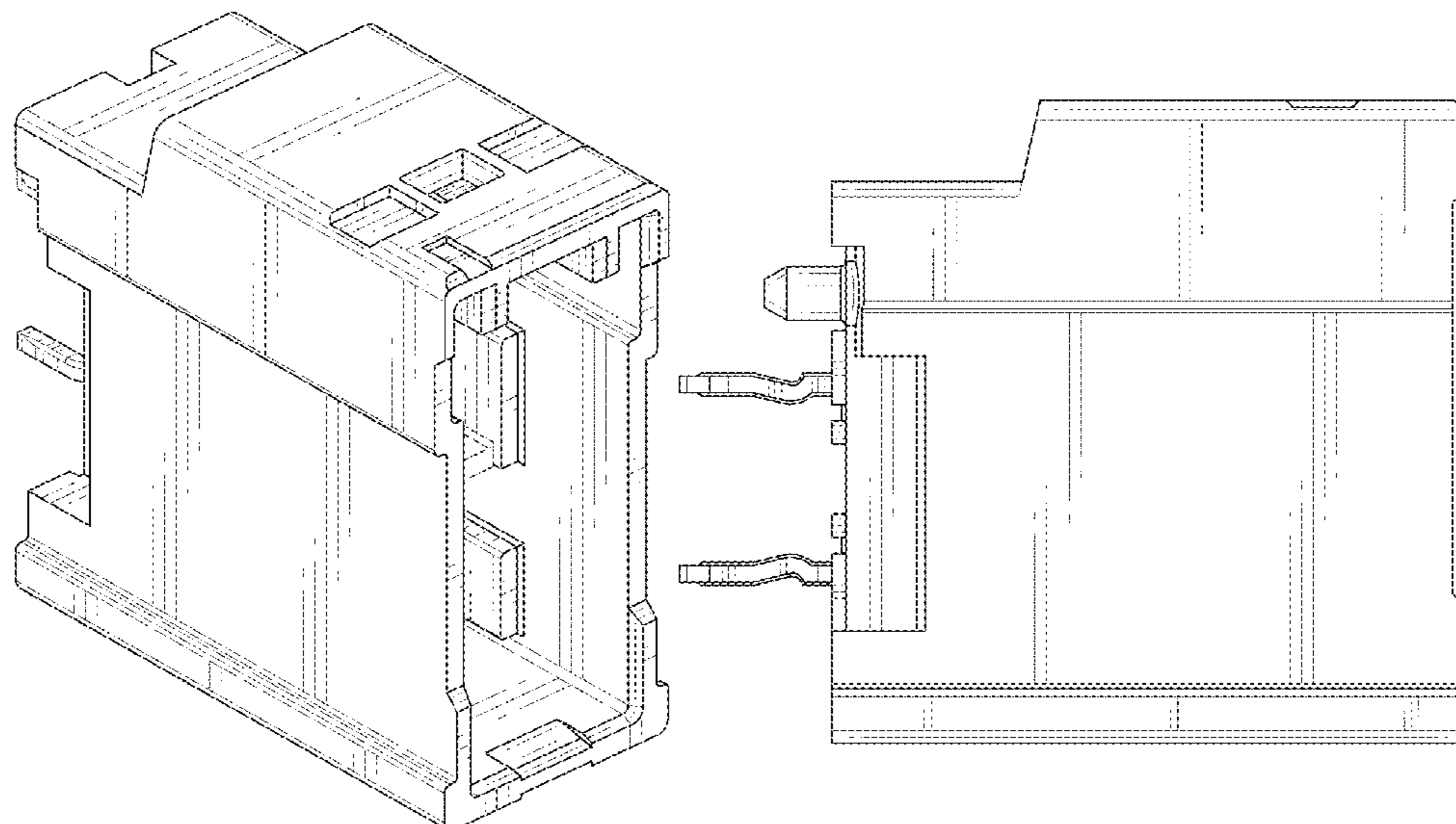
(57) **CLAIM**

The ornamental design for an electrical connector, as shown and described.

DESCRIPTION

FIG. 1 is a perspective view thereof;
FIG. 2 is a perspective view thereof;
FIG. 3 is a front view thereof;
FIG. 4 is a rear view thereof;
FIG. 5 is a top view thereof;
FIG. 6 is a bottom view thereof;
FIG. 7 is a right-side view thereof; and,
FIG. 8 is a left-side view thereof.
The equal length broken lines in the drawings depict portions of the electrical connector that form no part of the claimed design.

1 Claim, 8 Drawing Sheets



(56)

References Cited

U.S. PATENT DOCUMENTS

2008/0020639 A1 1/2008 Ichio
2013/0008712 A1 1/2013 Kobayashi et al.
2014/0370757 A1 12/2014 Endo et al.
2015/0147901 A1 5/2015 Wu et al.
2015/0200492 A1 7/2015 Endo et al.
2015/0222043 A1 8/2015 Yagi et al.
2015/0333427 A1 11/2015 Taguchi et al.
2018/0277990 A1* 9/2018 Ho H01R 13/6272
2018/0316131 A1 11/2018 Holub et al.
2018/0316132 A1 11/2018 Holub et al.
2019/0280430 A1 9/2019 Azad et al.
2019/0363476 A1* 11/2019 Zheng H01R 13/6272
2020/0136303 A1* 4/2020 Ito H01R 13/521

FOREIGN PATENT DOCUMENTS

JP S899080 S 5/1994
JP S899099 S 5/1994
JP S944748 S 1/1996
JP S997228 S 12/1997
JP S1074717 S 6/2000
JP S1259617 S 1/2006
JP S1260794 S 1/2006
JP S1260796 S 1/2006
JP S1354379 S 3/2009

OTHER PUBLICATIONS

Non-Final rejection received for U.S. Appl. No. 29/717,496, dated
Dec. 16, 2020, 9 pages.

* cited by examiner

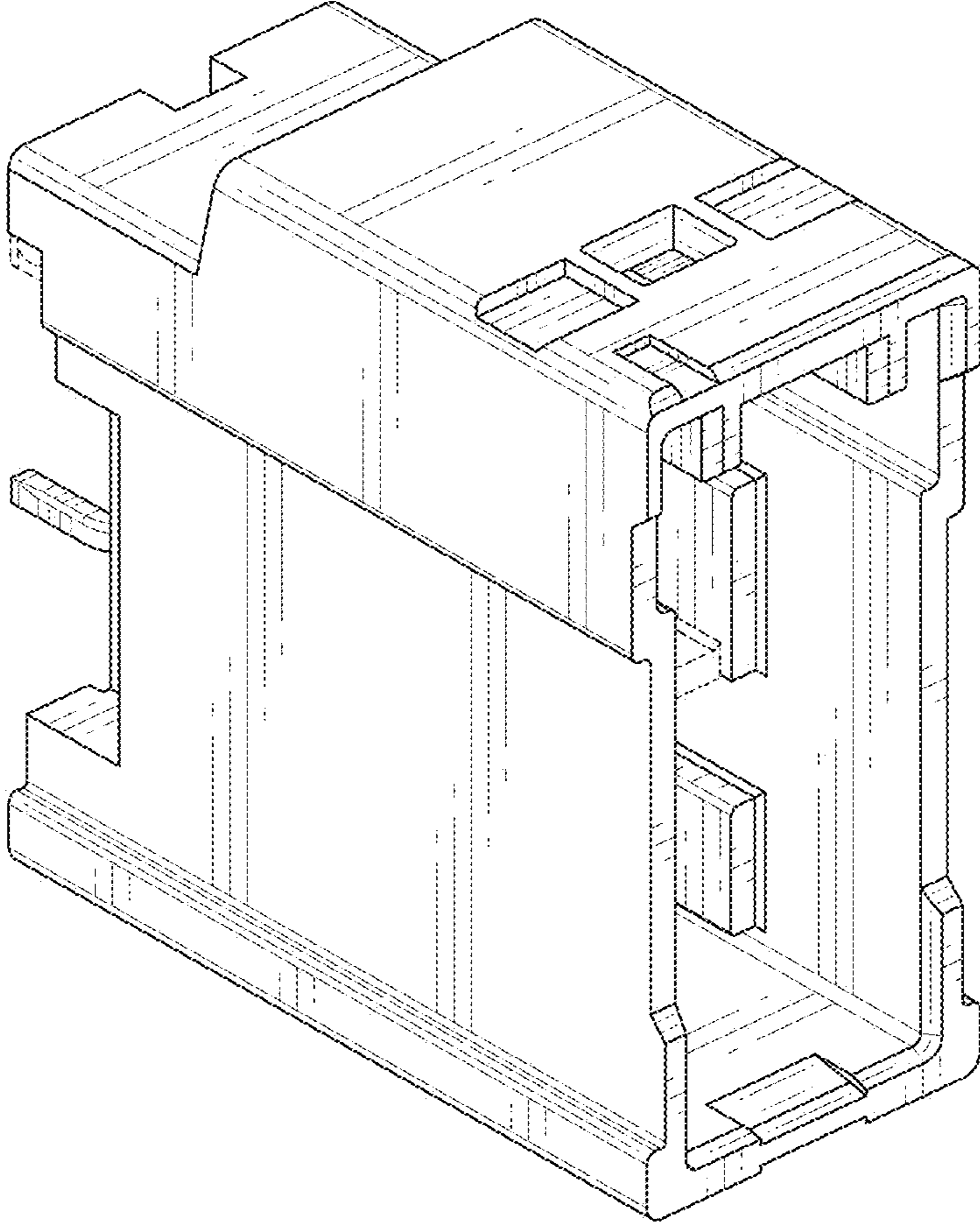


FIG. 1

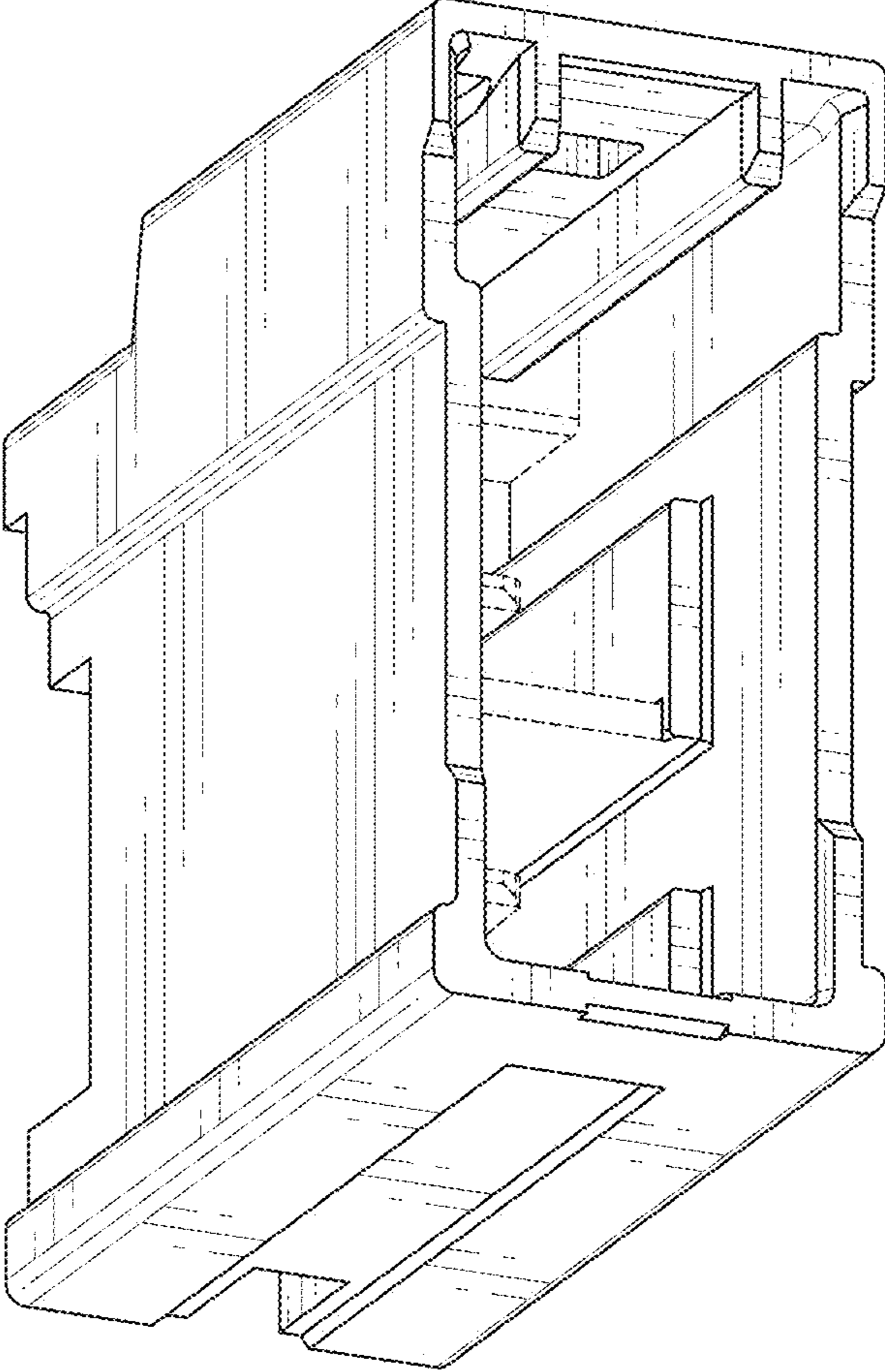


FIG. 2

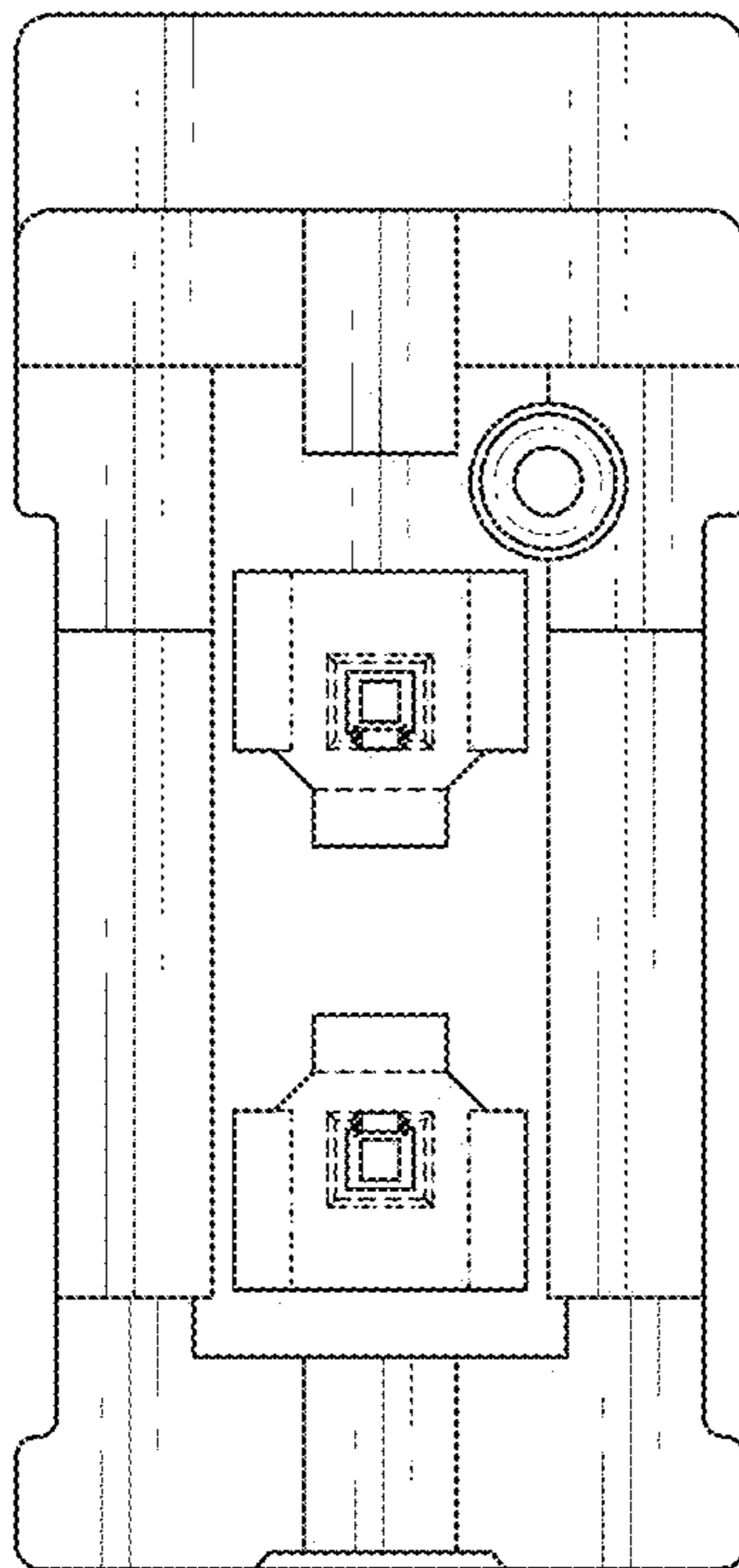


FIG. 3

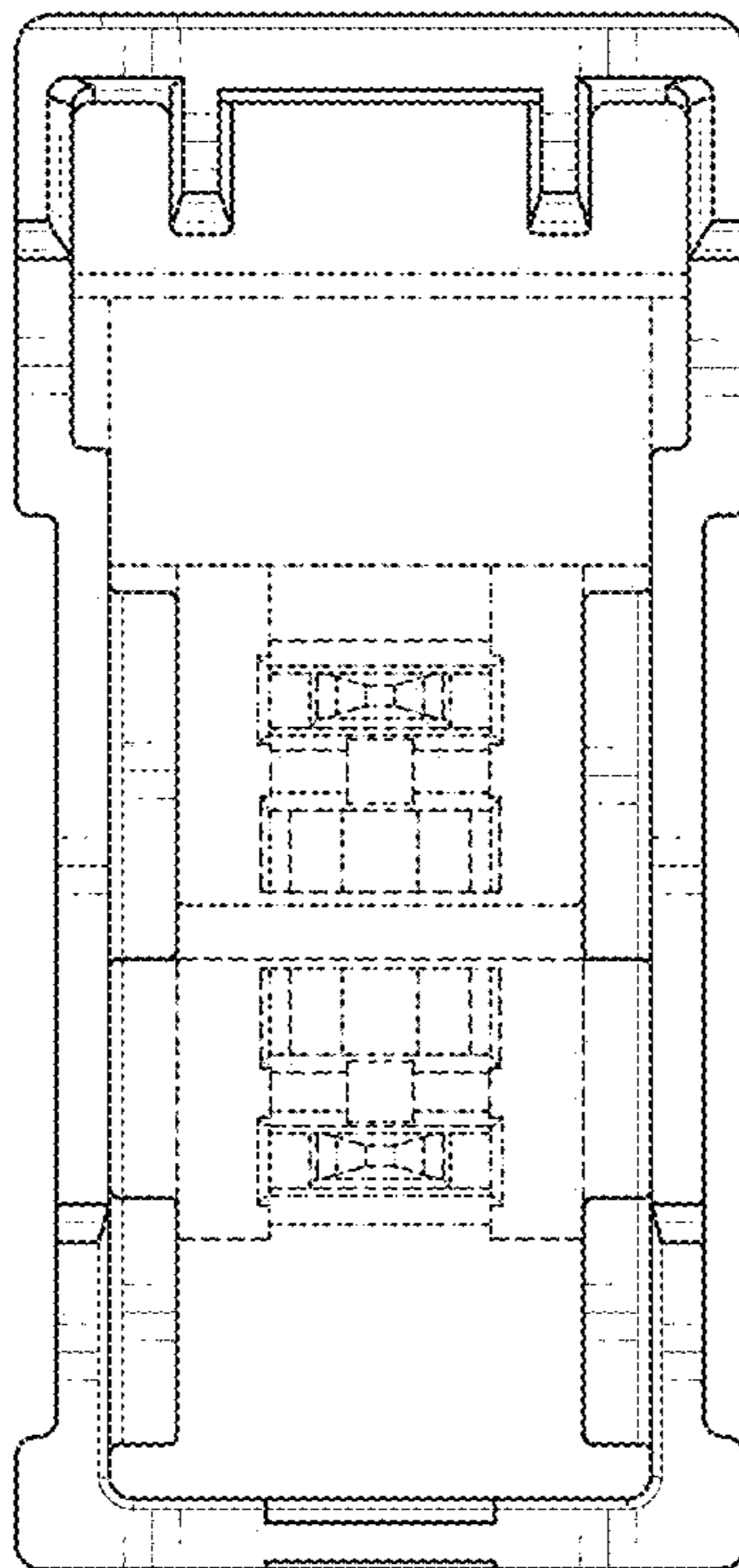


FIG. 4

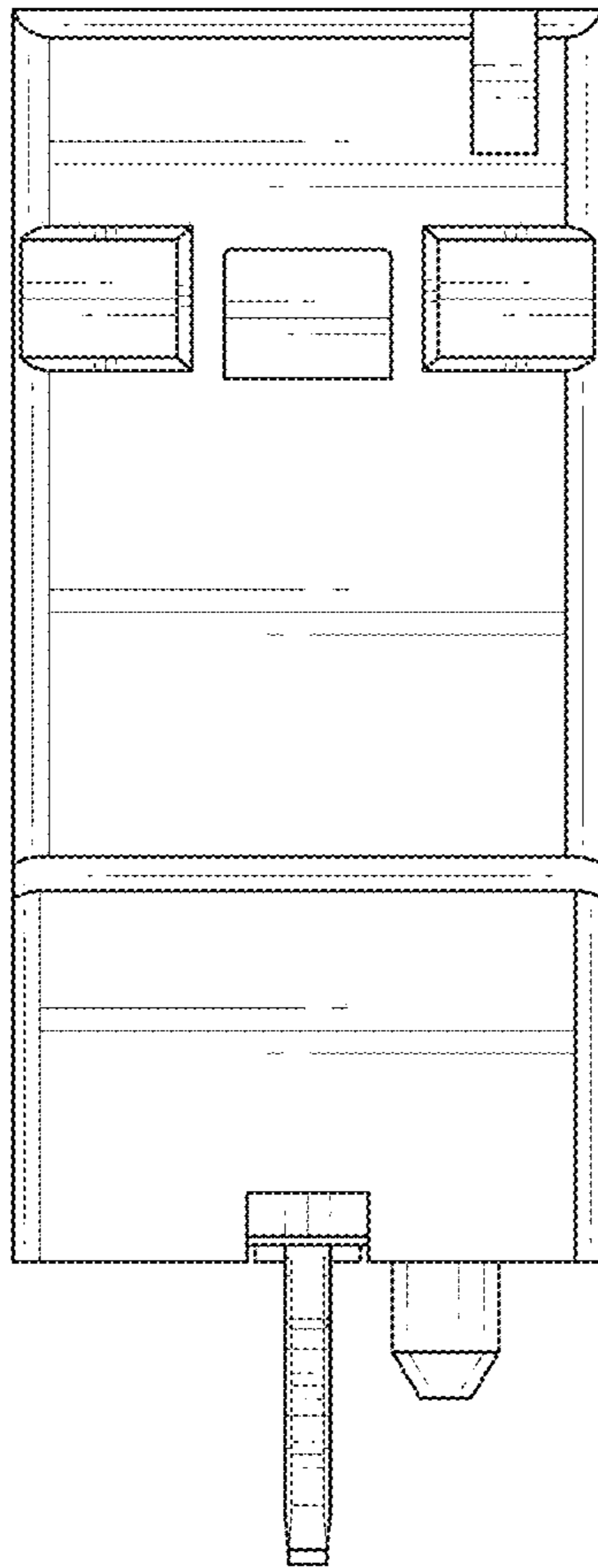


FIG. 5

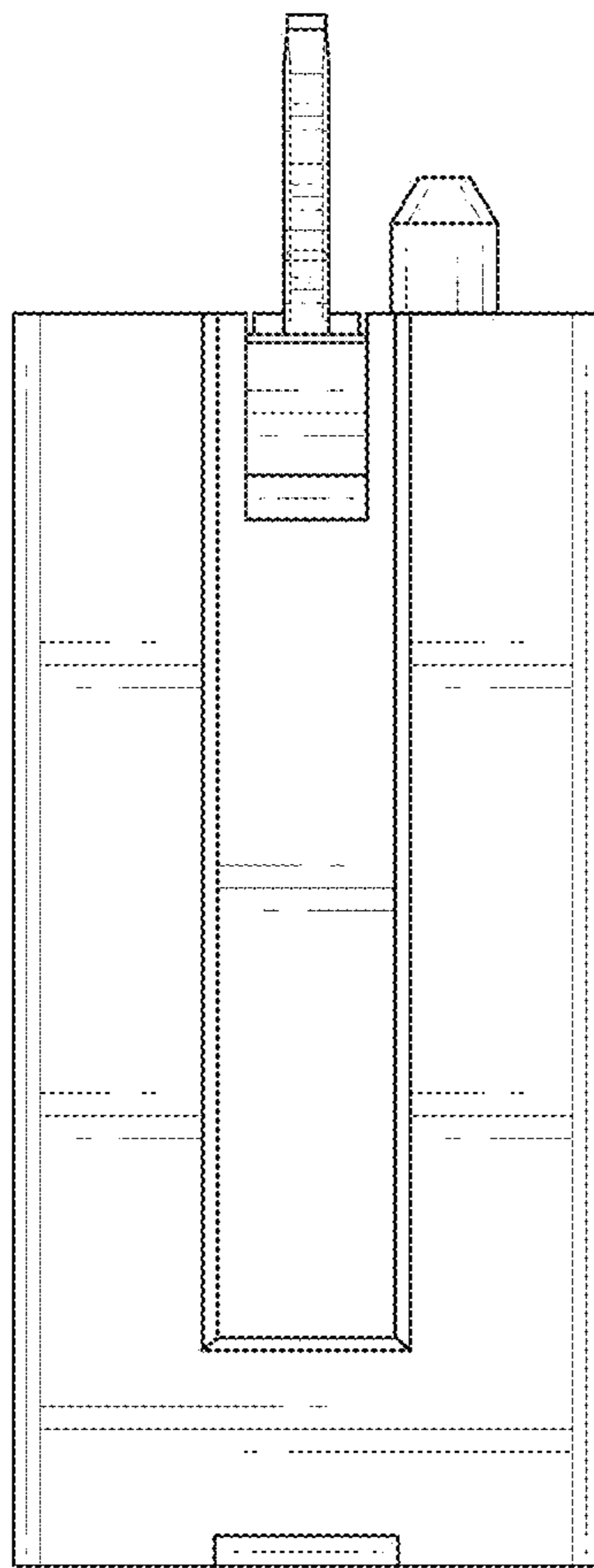


FIG. 6

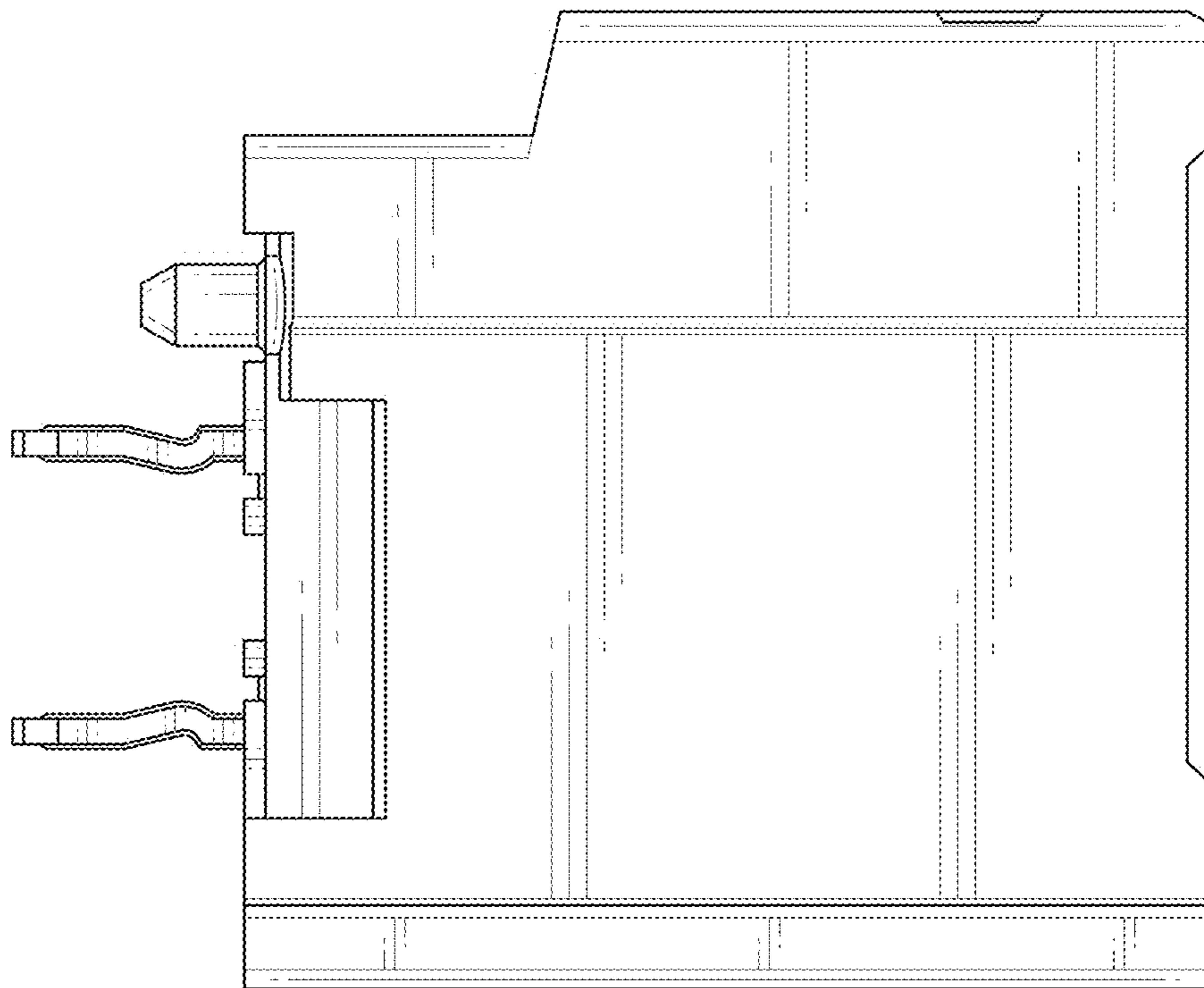


FIG. 7

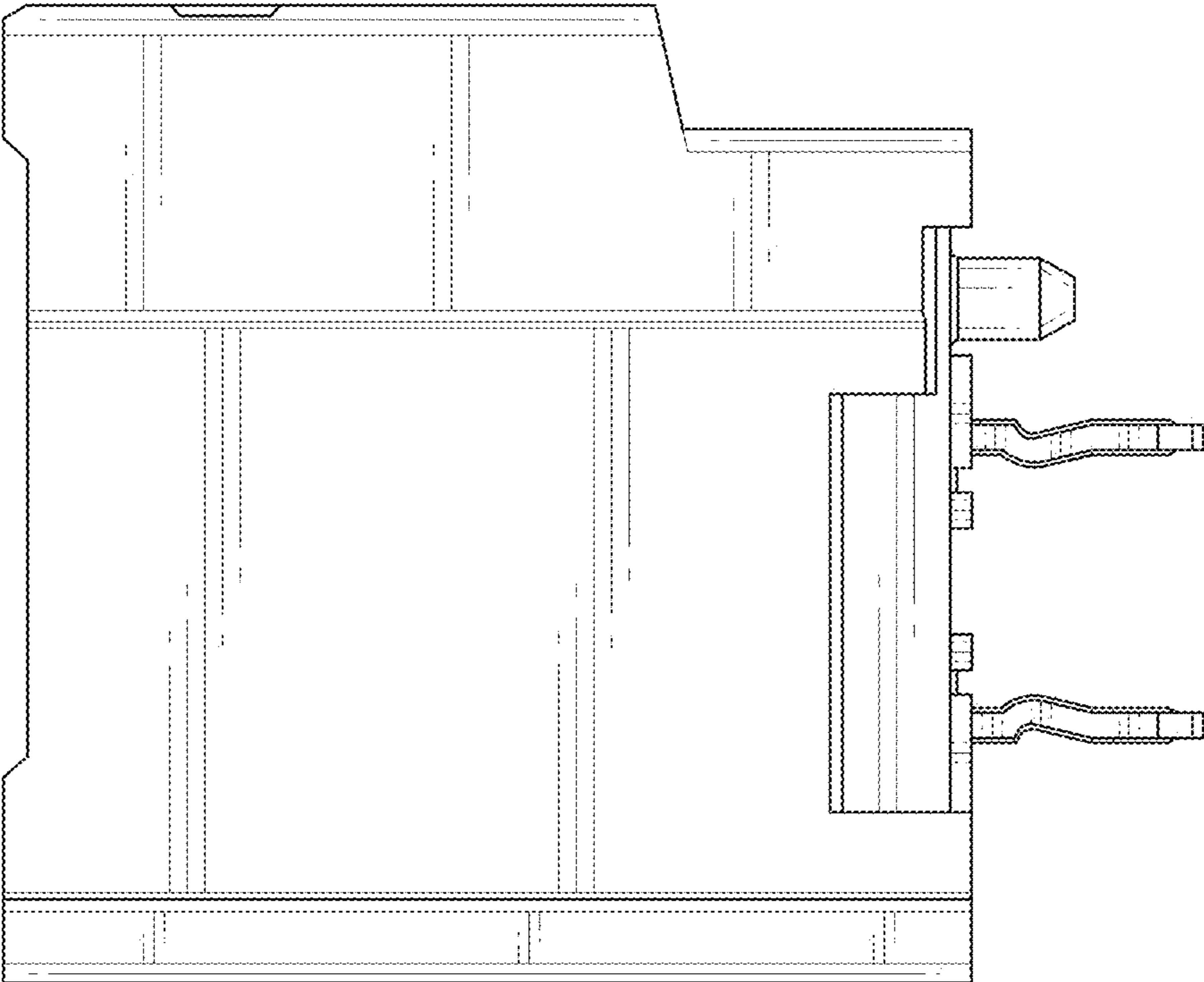


FIG. 8