



US00D938357S

(12) **United States Design Patent**
Aki et al.

(10) **Patent No.:** **US D938,357 S**

(45) **Date of Patent:** **** Dec. 14, 2021**

(54) **SIGNAL CONVERTER**

(71) Applicant: **SMC CORPORATION**, Tokyo (JP)

(72) Inventors: **Tomohiko Aki**, Nagareyama (JP); **Yuko Kochi**, Tsukubamirai (JP); **Norimasa Ozaki**, Moriya (JP)

(73) Assignee: **SMC CORPORATION**, Tokyo (JP)

(**) Term: **15 Years**

(21) Appl. No.: **29/710,464**

(22) Filed: **Oct. 23, 2019**

(30) **Foreign Application Priority Data**

May 9, 2019 (JP) 2019-009962

(51) **LOC (13) Cl.** **13-03**

(52) **U.S. Cl.**
USPC **D13/123**

(58) **Field of Classification Search**

USPC D13/110, 118, 123, 133, 146, 147, 158,
D13/159, 162, 163, 166-169, 171, 173,
D13/174, 184, 199; D14/125, 154, 155,
D14/199, 240, 358, 496
CPC . F15B 13/00; F21S 4/001; H01R 9/22; H01R
13/66; H01R 13/7036; H01H 9/16; H04B
1/202; H02G 3/14; H05K 5/00; H05K
7/00; H05K 7/20

See application file for complete search history.

(56) **References Cited**

U.S. PATENT DOCUMENTS

4,768,230 A * 8/1988 Viebrantz H04B 1/202
398/106
D525,197 S * 7/2006 Tanabe D13/123

D525,211 S * 7/2006 Tanabe D13/123
D525,936 S * 8/2006 Tanabe D13/123
D530,279 S * 10/2006 Tanabe D13/123
D645,002 S * 9/2011 Kashimoto D13/162
9,111,696 B1 * 8/2015 Puhalla H01H 9/16
D754,603 S * 4/2016 Takano D13/123
D852,743 S * 7/2019 Nakayama D13/112
D852,744 S * 7/2019 Nakayama D13/112
D869,410 S * 12/2019 Kochi D13/184
D901,385 S * 11/2020 Aki D13/123
D924,138 S * 7/2021 Aki D13/123

* cited by examiner

Primary Examiner — Shawn T Gingrich

Assistant Examiner — Bryan Nolan Melvin

(74) *Attorney, Agent, or Firm* — Birch, Stewart, Kolasch & Birch, LLP

(57) **CLAIM**

The ornamental design for a signal converter, as shown and described.

DESCRIPTION

FIG. 1 is a front, top and left side perspective view of a signal converter showing our new design;

FIG. 2 is a front, top and right side perspective view thereof;

FIG. 3 is a rear, bottom and right side perspective view thereof;

FIG. 4 is a front view thereof;

FIG. 5 is a rear view thereof;

FIG. 6 is a top plan view thereof;

FIG. 7 is a bottom plan view thereof;

FIG. 8 is a left side view thereof; and,

FIG. 9 is a right side view thereof.

The broken lines depict portions of the signal converter that form no part of the claimed design.

1 Claim, 9 Drawing Sheets

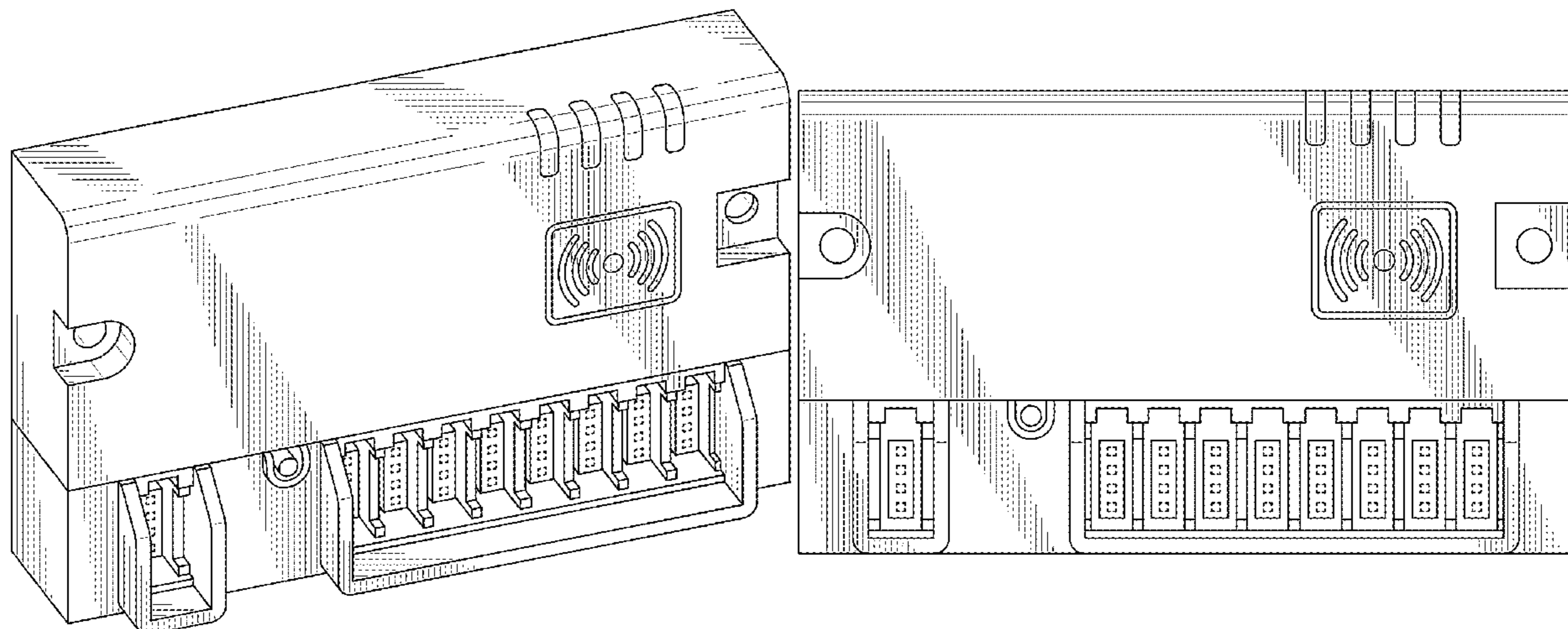


FIG. 1

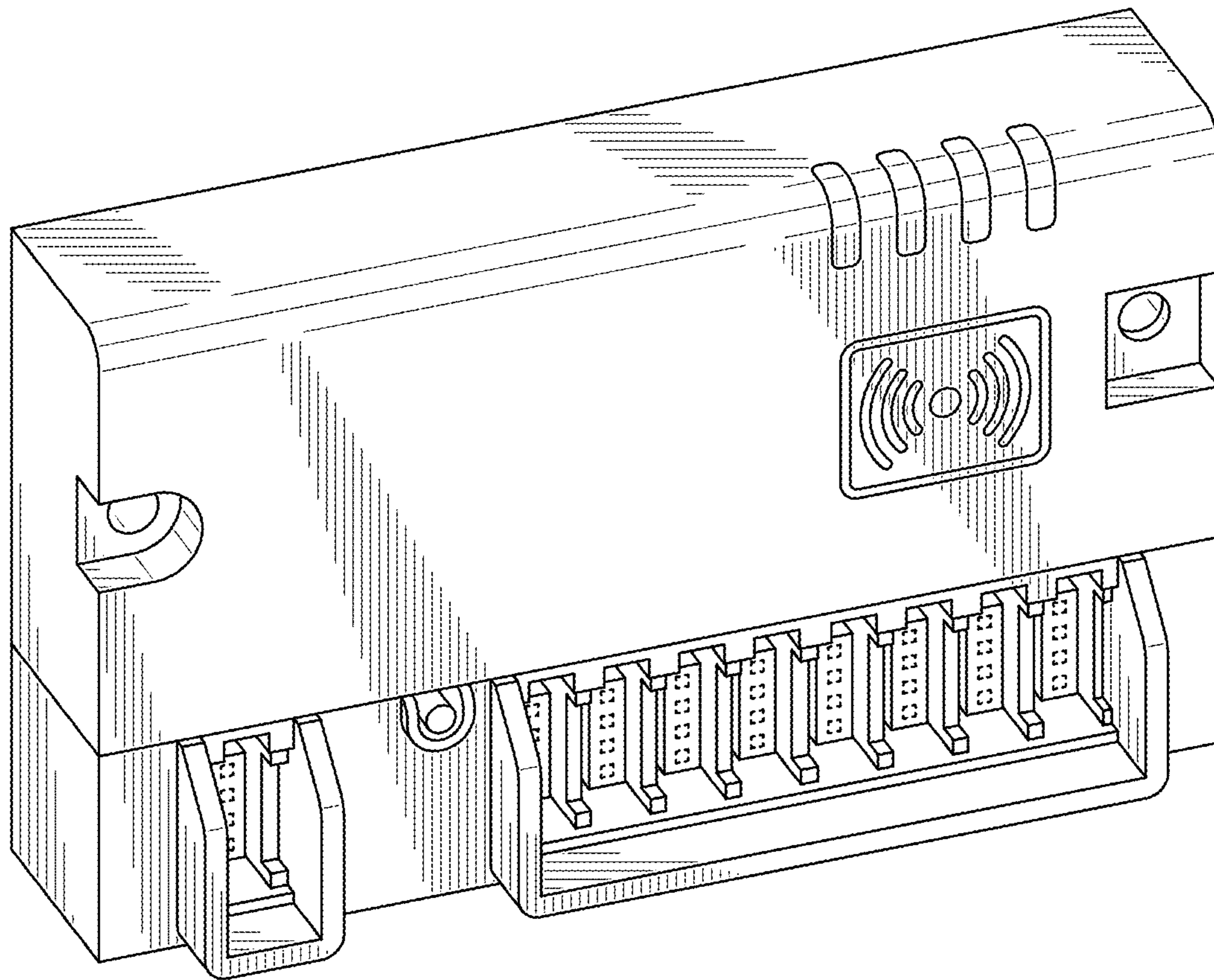


FIG. 2

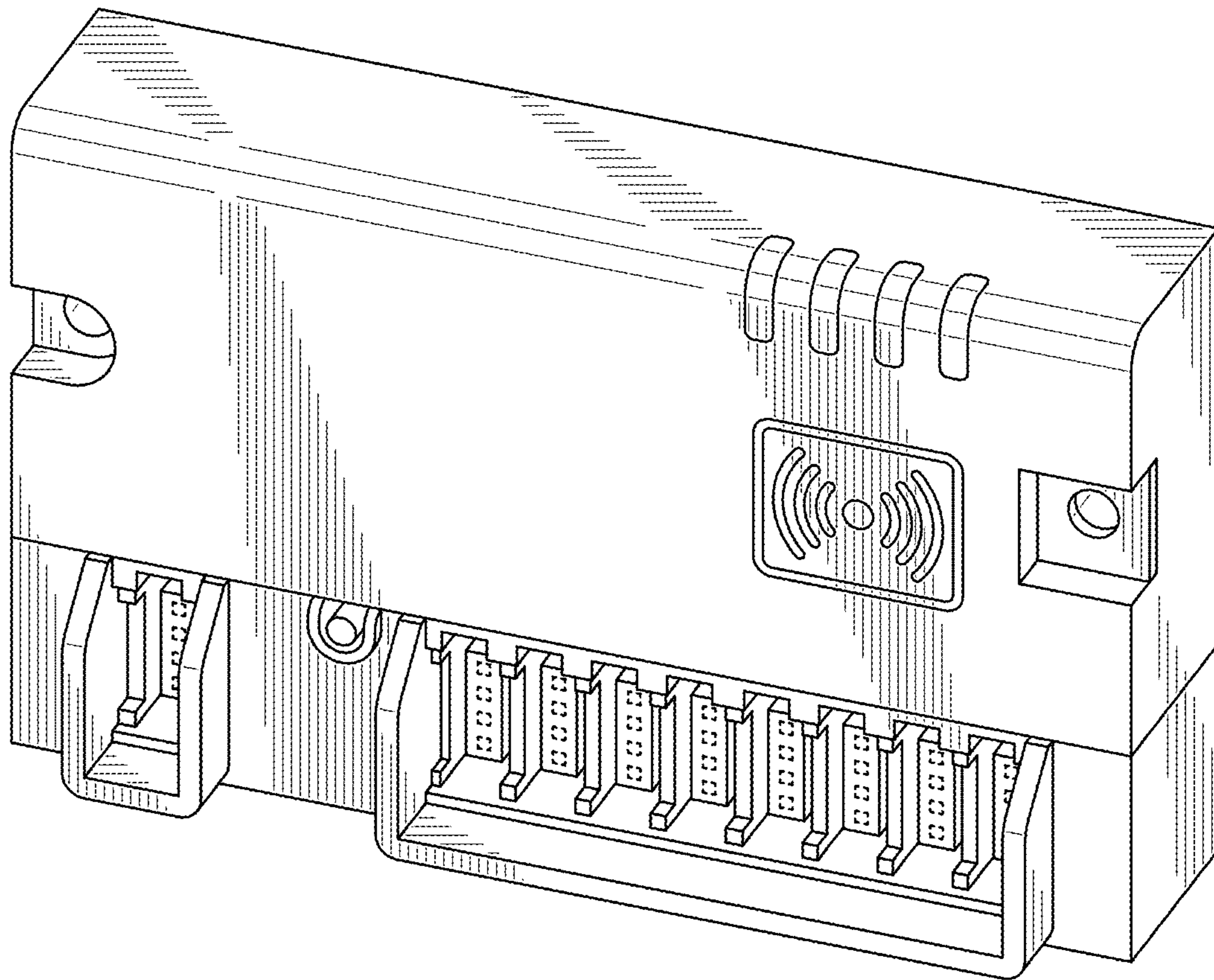


FIG. 3

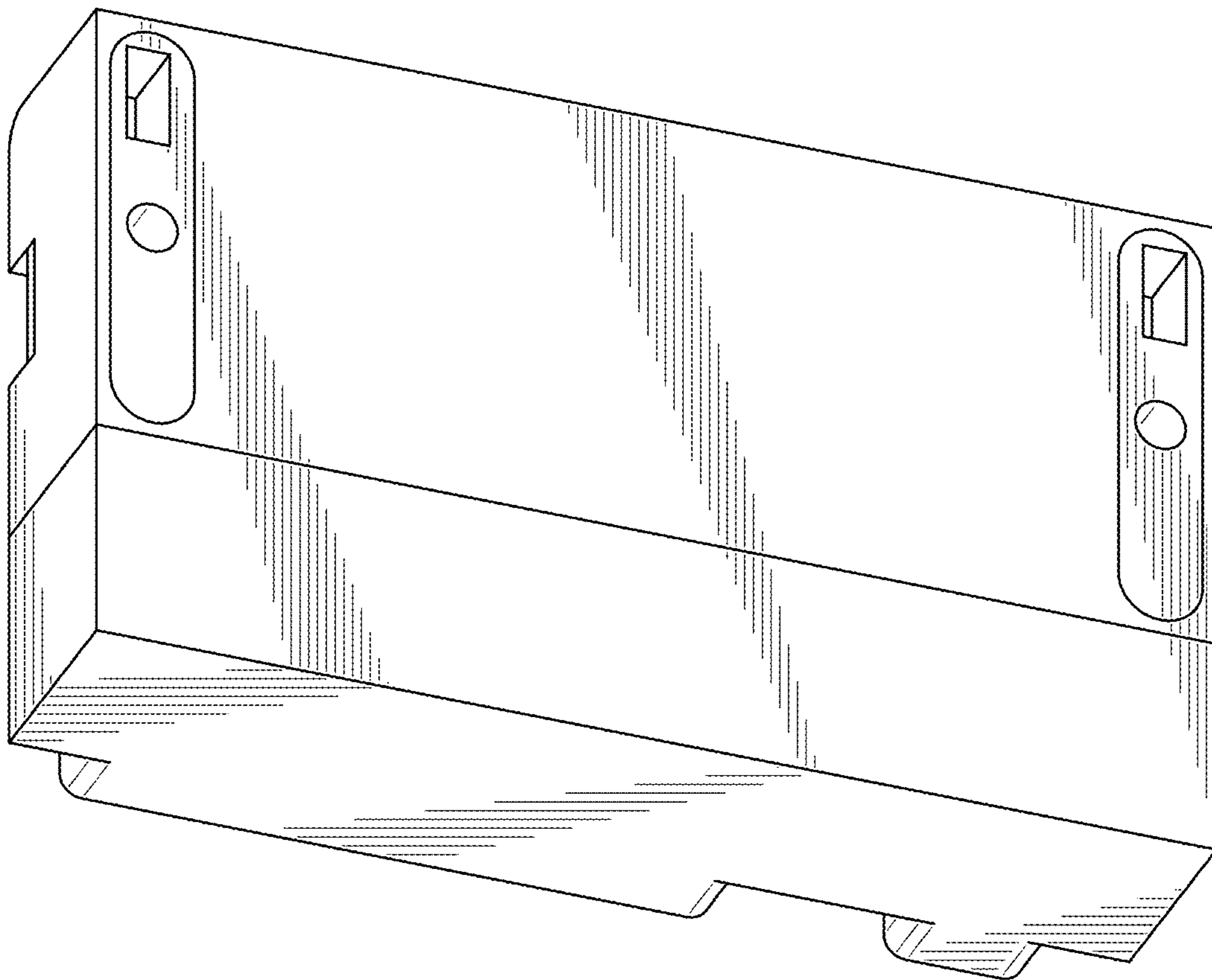


FIG. 4

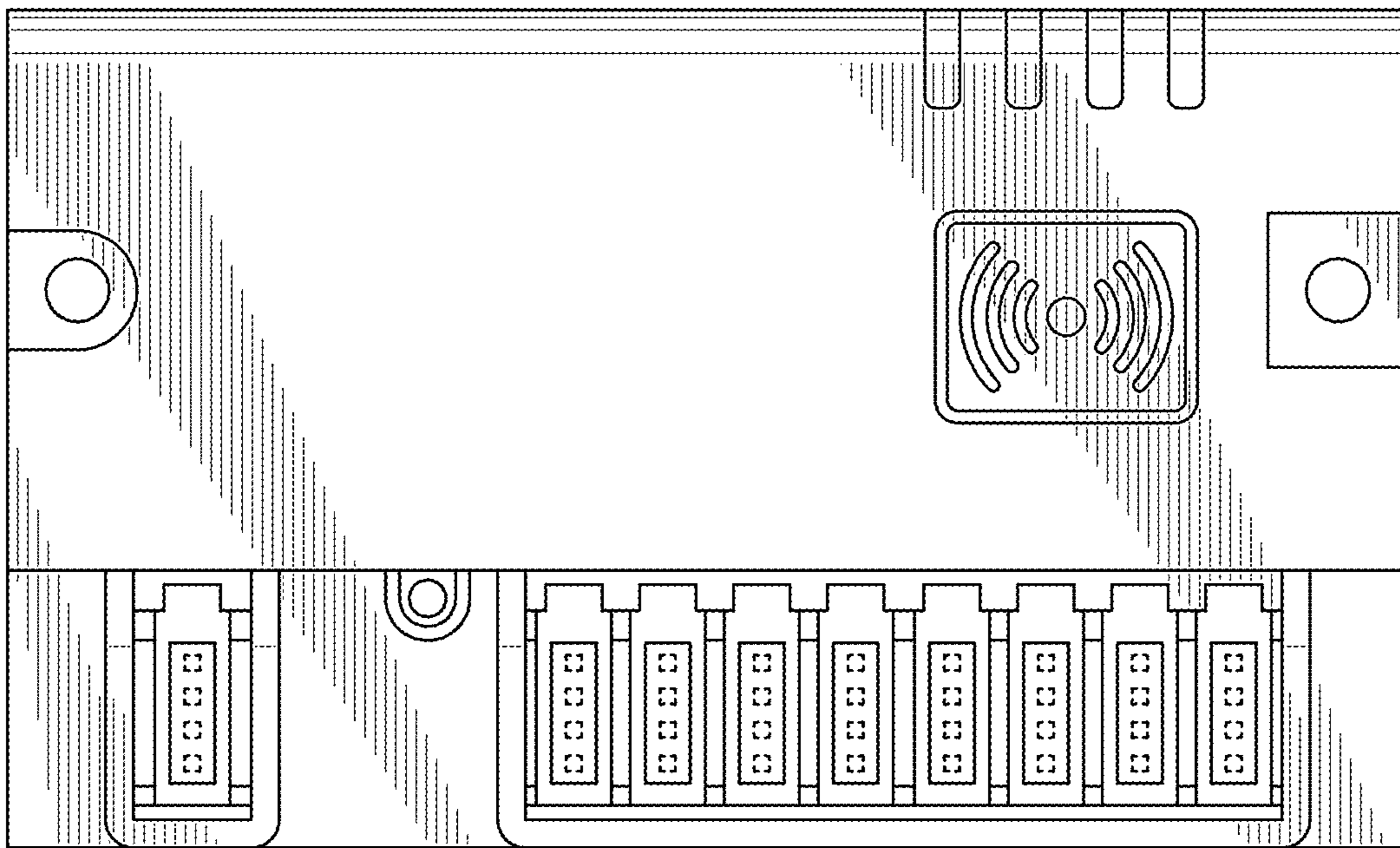


FIG. 5

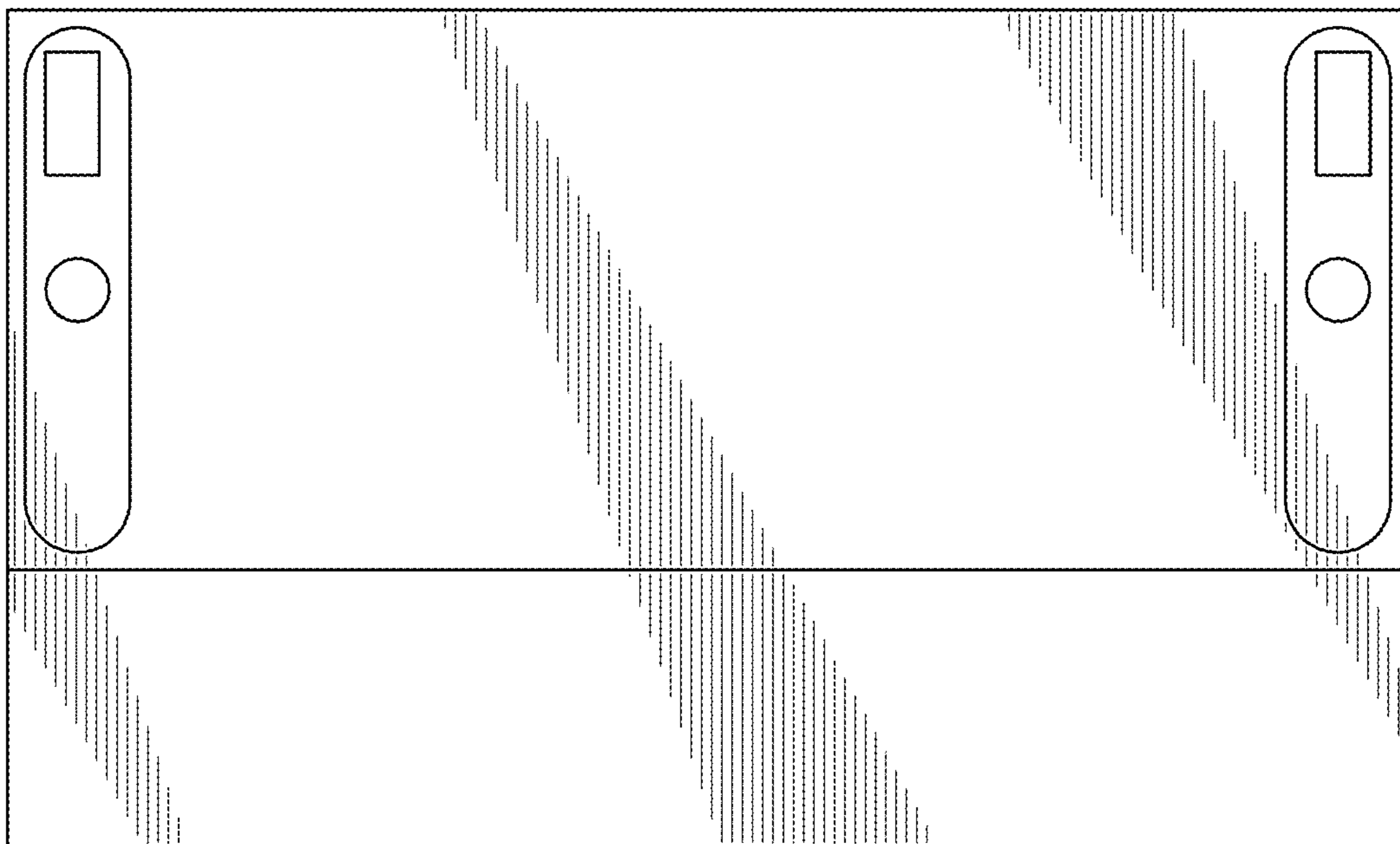


FIG. 6

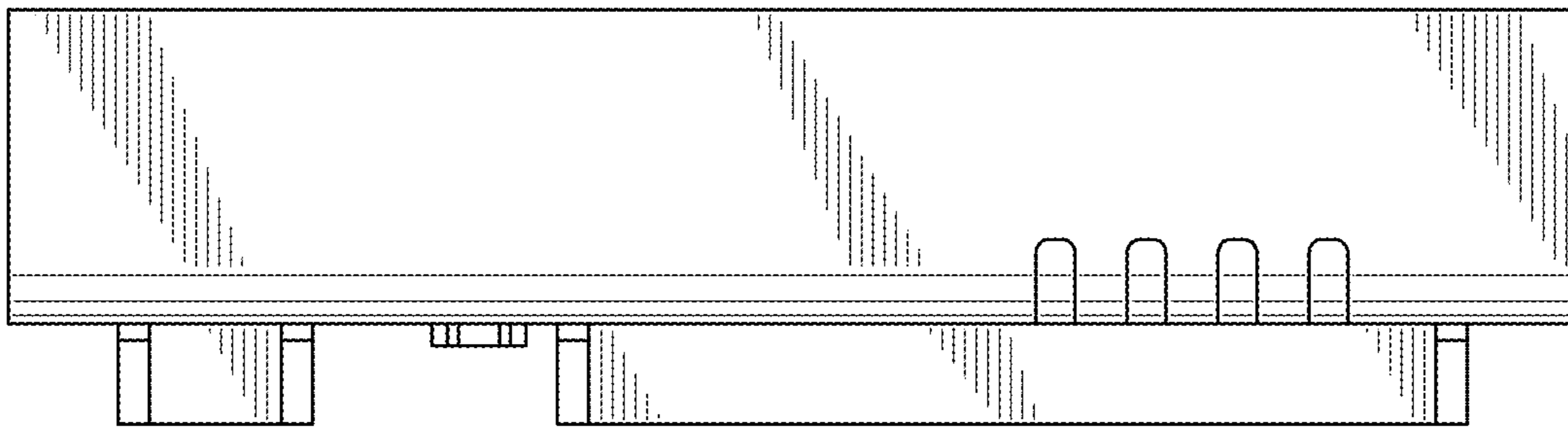


FIG. 7

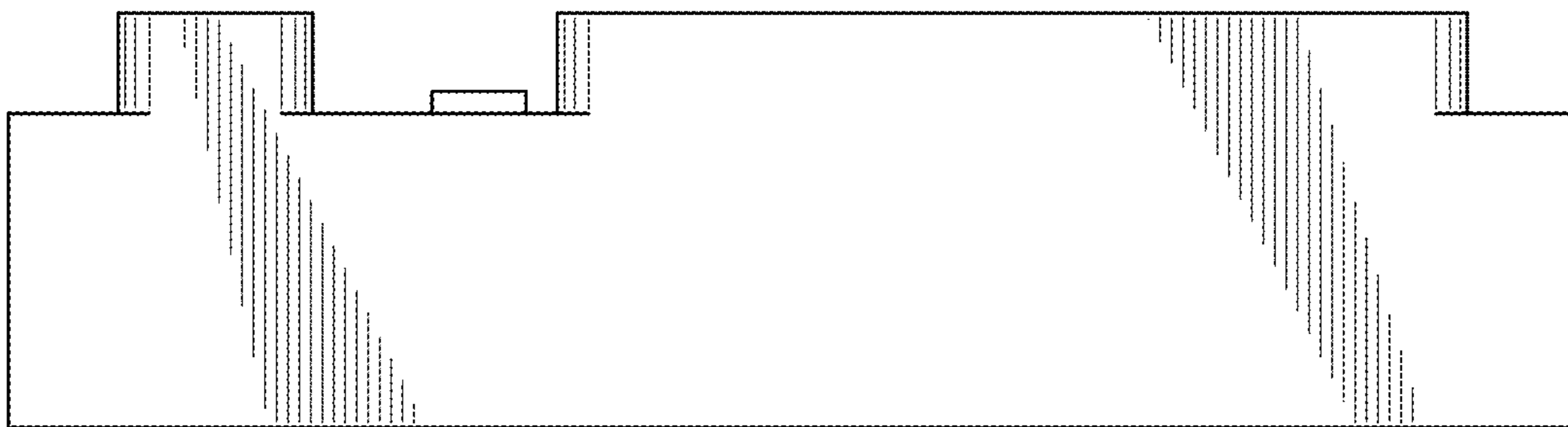


FIG. 8

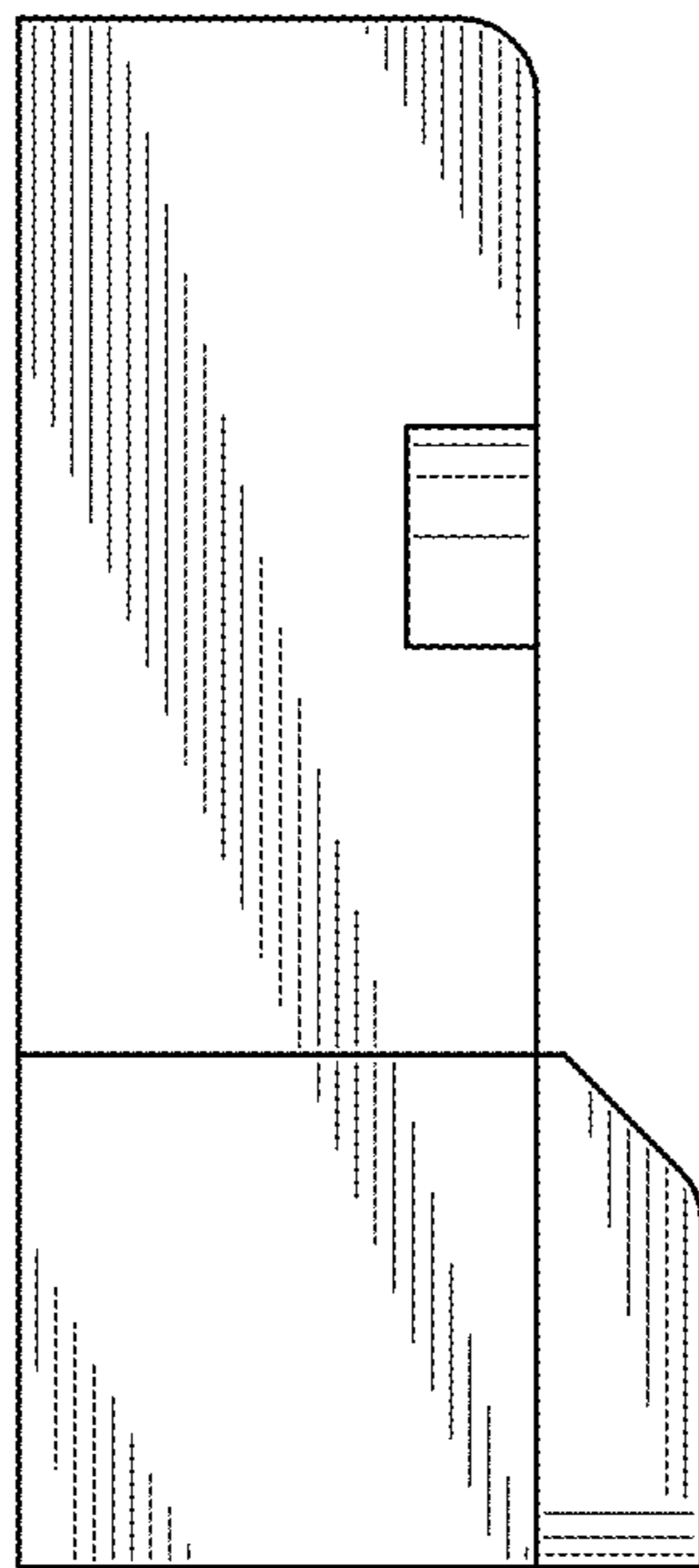


FIG. 9

