



US00D938355S

(12) **United States Design Patent**
Xiong

(10) **Patent No.:** **US D938,355 S**

(45) **Date of Patent:** **** Dec. 14, 2021**

(54) **ENERGY STORAGE POWER SOURCE**

- (71) Applicant: **Shenzhen Segre Electronic Co., Ltd**, Shenzhen (CN)
- (72) Inventor: **Wanglong Xiong**, Longyan (CN)
- (73) Assignee: **SHENZHEN SEGRE ELECTRONIC CO., LTD**, Shenzhen (CN)

(**) Term: **15 Years**

(21) Appl. No.: **29/717,621**

(22) Filed: **Dec. 18, 2019**

(30) **Foreign Application Priority Data**

Sep. 12, 2019 (CN) 201930502717.X

(51) **LOC (13) Cl.** **13-02**

(52) **U.S. Cl.**
USPC **D13/110**

(58) **Field of Classification Search**

USPC D13/103, 199, 107, 108, 110, 184, 104,
D13/105, 106, 118, 119, 123, 133;
D15/9; D14/432, 434

CPC H02J 1/122; H02J 7/0045; H02J 7/0078;
H02J 7/00714; H02J 7/00716; H02J
7/0025; H02J 7/0027; H02J 7/14; H02J
7/1461; H02M 7/003; H02M 7/42

See application file for complete search history.

(56) **References Cited**

U.S. PATENT DOCUMENTS

D505,388 S * 5/2005 Krieger D13/107
D514,508 S * 2/2006 Krieger D13/107
D594,405 S * 6/2009 Murray D13/107
D609,632 S * 2/2010 Daniels D13/107

(Continued)

FOREIGN PATENT DOCUMENTS

CN 304431668 * 12/2017

OTHER PUBLICATIONS

“200W Portable Power Station, FlashFish 40800mAh Solar Generator with 110V AC Outlet/2 DC Ports/3 USB Ports, Backup Battery Pack Power Supply for CPAP Outdoor Adventure Load Trip Camping Emergency.”, first accessed Apr. 13, 2021 Amazon.com [https://www.amazon.com/Portable-FlashFish-Generator-Adventure (Year: 2021)-Emergency/dp/B07T48L6CF/ref-asc_df_B07T48L6CF/?tag-hyprod-20&linkCode%E2%80%A6.*

(Continued)

Primary Examiner — Rosemary K Tarcza

Assistant Examiner — Seth David Kumpf

(74) *Attorney, Agent, or Firm* — Tarter Krinsky & Drogin LLP

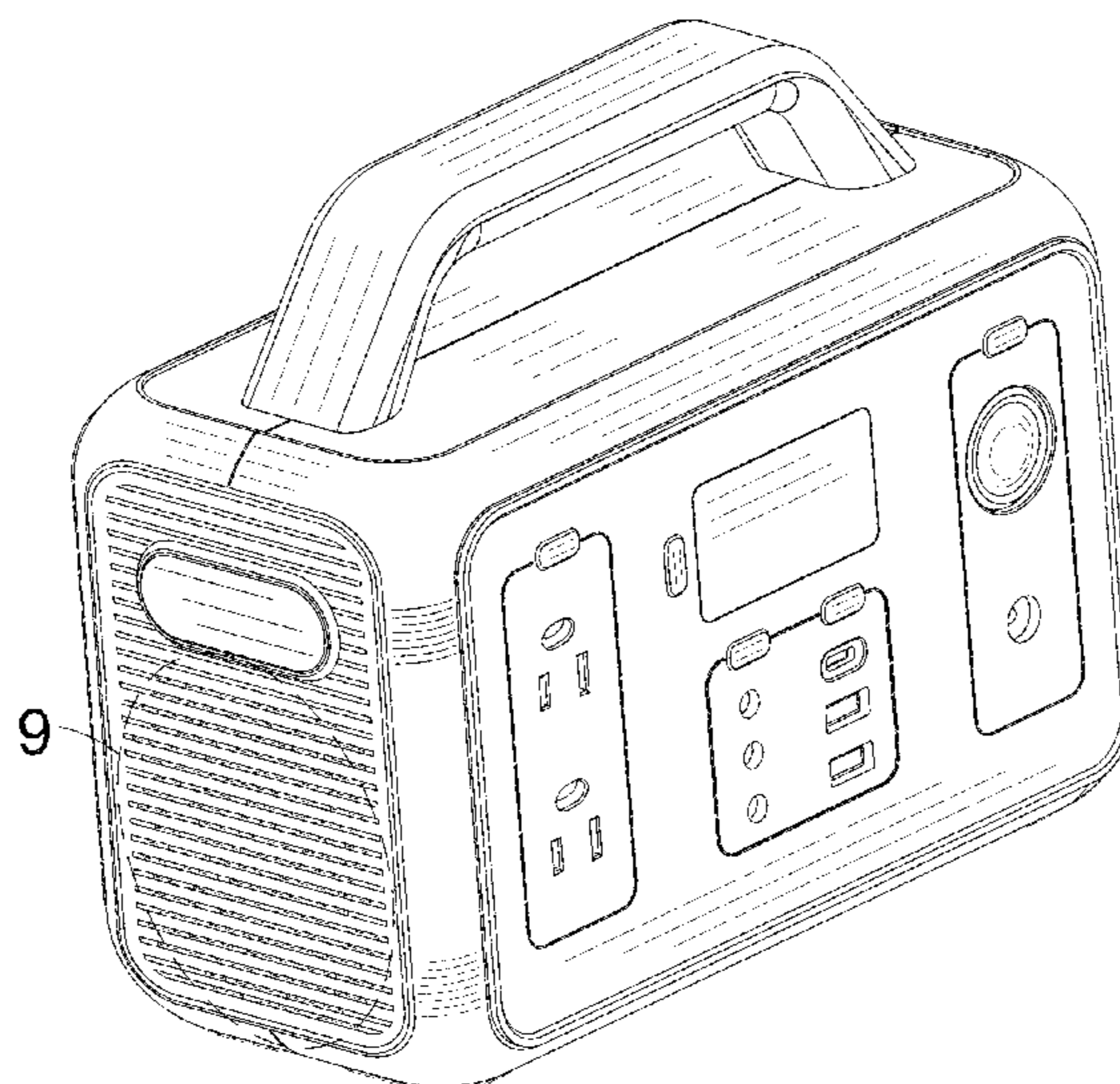
(57) **CLAIM**

I claim the ornamental design for an energy storage power source, as shown and described.

DESCRIPTION

FIG. 1 is a front perspective view of an energy storage power source;
FIG. 2 is a rear perspective view thereof;
FIG. 3 is a front view thereof;
FIG. 4 is a rear view thereof;
FIG. 5 is a left-side view thereof;
FIG. 6 is a right-side view thereof;
FIG. 7 is a top view thereof;
FIG. 8 is a bottom view thereof;
FIG. 9 is an enlarged detail view showing a portion of the design as indicated in the area ‘9’ in FIG. 1;
FIG. 10 is an enlarged detail view showing a portion of the design as indicated in the area ‘10’ in FIG. 2; and,
FIG. 11 is an enlarged detail view showing a portion of the design as indicated in the area ‘11’ in FIG. 5.
The broken lines depict portions of the energy storage power source in which the design is embodied that form no part of the claimed design.

1 Claim, 11 Drawing Sheets



(56)

References Cited

U.S. PATENT DOCUMENTS

D609,633	S	*	2/2010	Daniels	D13/107
D609,634	S	*	2/2010	Daniels	D13/107
D609,635	S	*	2/2010	Daniels	D13/107
D624,492	S	*	9/2010	Daniels	D13/107
D624,493	S	*	9/2010	Daniels	D13/107
D624,876	S	*	10/2010	Daniels	D13/107
D634,706	S	*	3/2011	Takeno	D13/107
D653,612	S	*	2/2012	DuMelle	D13/107
D664,499	S	*	7/2012	Workman	D13/107
D693,295	S	*	11/2013	Inskeep	D13/107
D693,762	S	*	11/2013	Inskeep	D13/107
D695,680	S	*	12/2013	Workman	D13/103
D764,403	S	*	8/2016	Azuma	D13/103
D811,456	S	*	2/2018	Dekker	D15/144
D812,119	S	*	3/2018	Dekker	D15/144
D814,525	S	*	4/2018	Yang	D15/9
D837,149	S	*	1/2019	Yin	D13/108
D842,240	S	*	3/2019	Lai	D13/107
D851,033	S	*	6/2019	Yuk	D13/108

OTHER PUBLICATIONS

“Outdoor Portable Energy Storage Power Supplys Outdoor Power Supplys Outdoor Mobile Power Supplys Energy Storage Power Station Emergency Outdoor Camping Appliances”, first accessed Apr. 13, 2021. TomTop.com [<https://www.tomtop.com/p-e15156c.html?currency=USD&Warehouse=CN>] (Year: 2021).*

“NinjaBatt Powerstation 280Wh”, first accessed Apr. 13, 2021. NinjaBatt.com [https://www.ninjabatt.com/product/power-station-280wh/?dTribeID=e1aa6f2eed81f5b8ee16c5e8becc2a13%7Cadtribes%7C27489&utm_source=Google] (Year: 2021).*

* cited by examiner

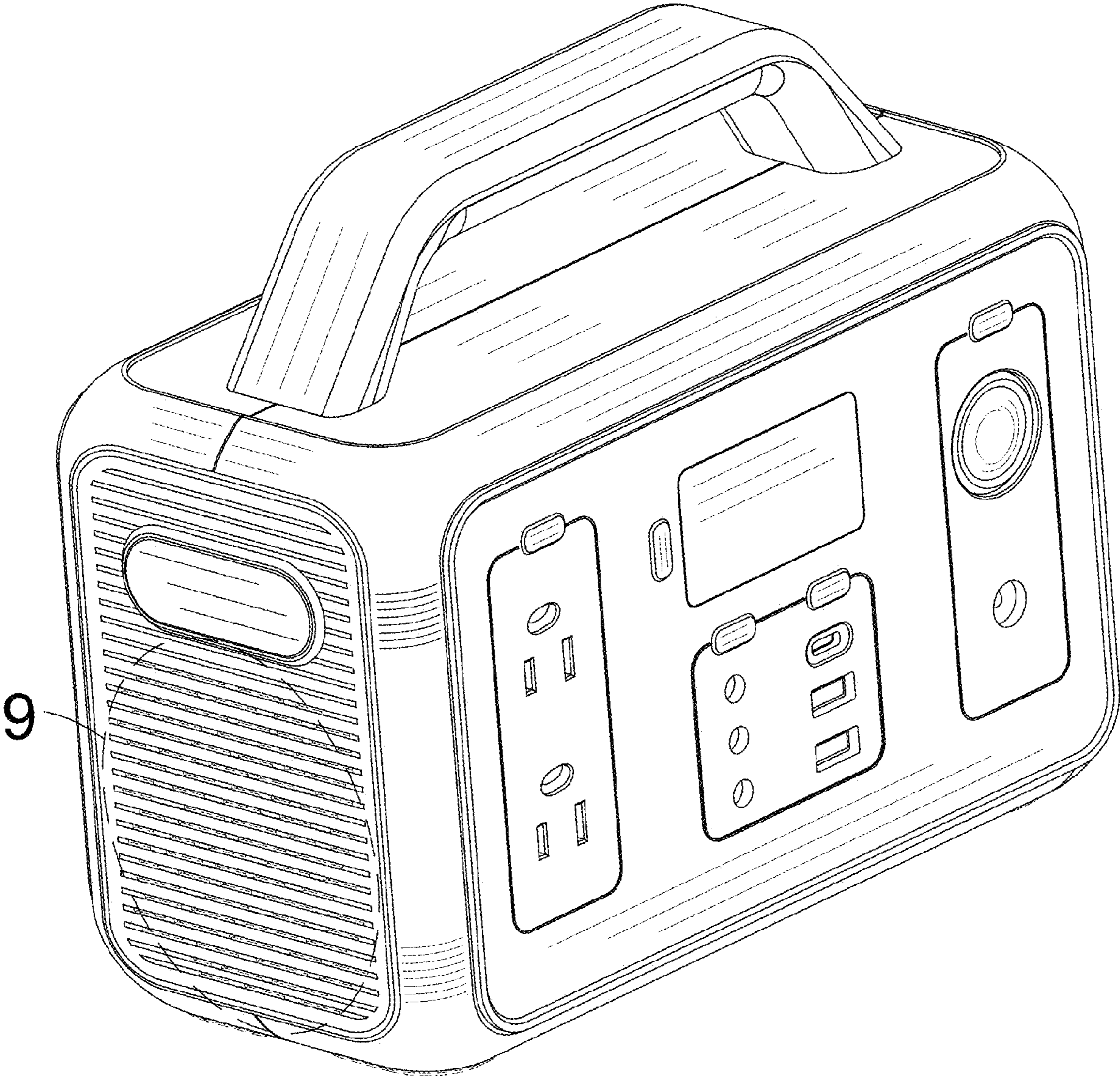


FIG. 1

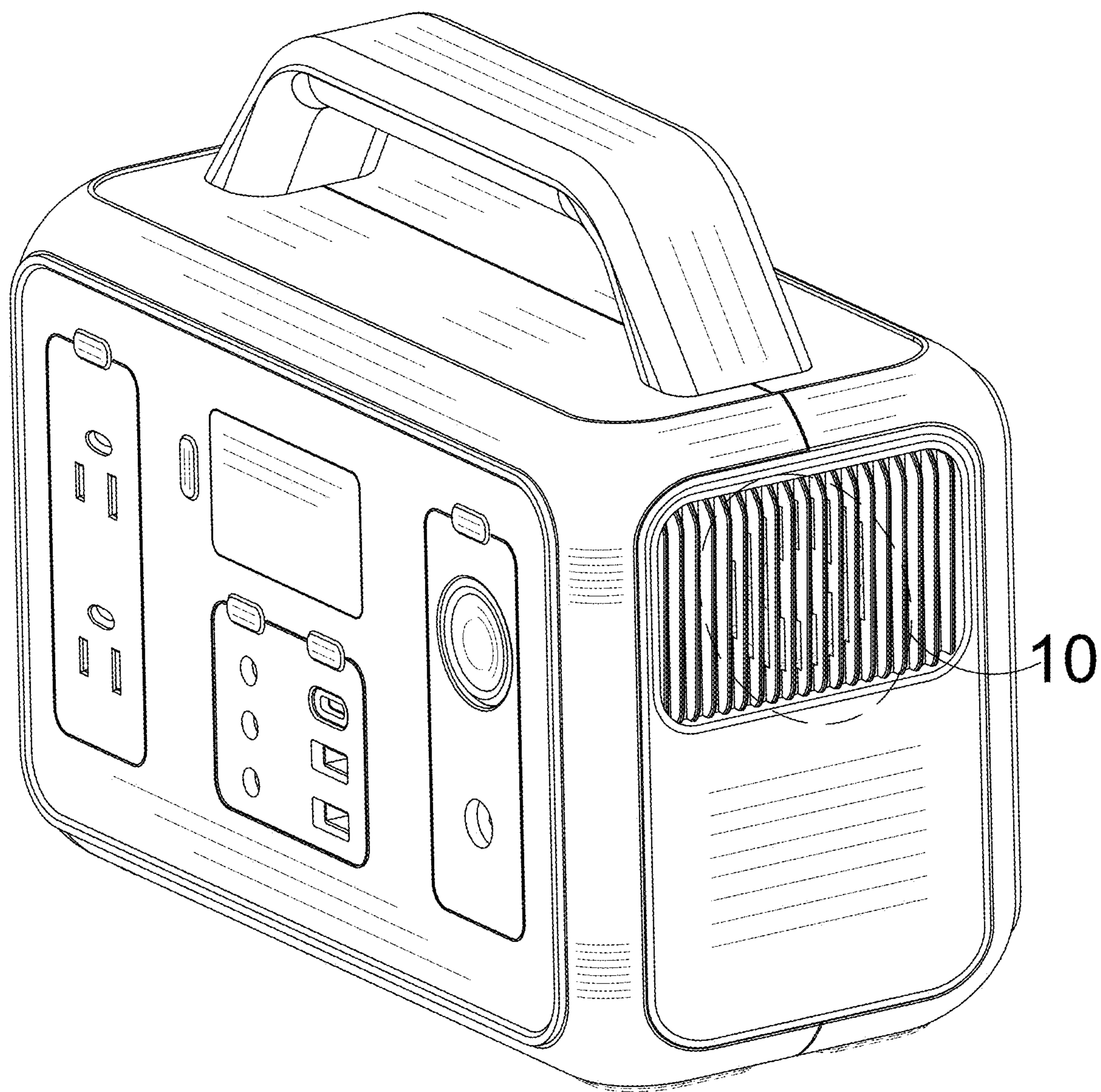


FIG.2

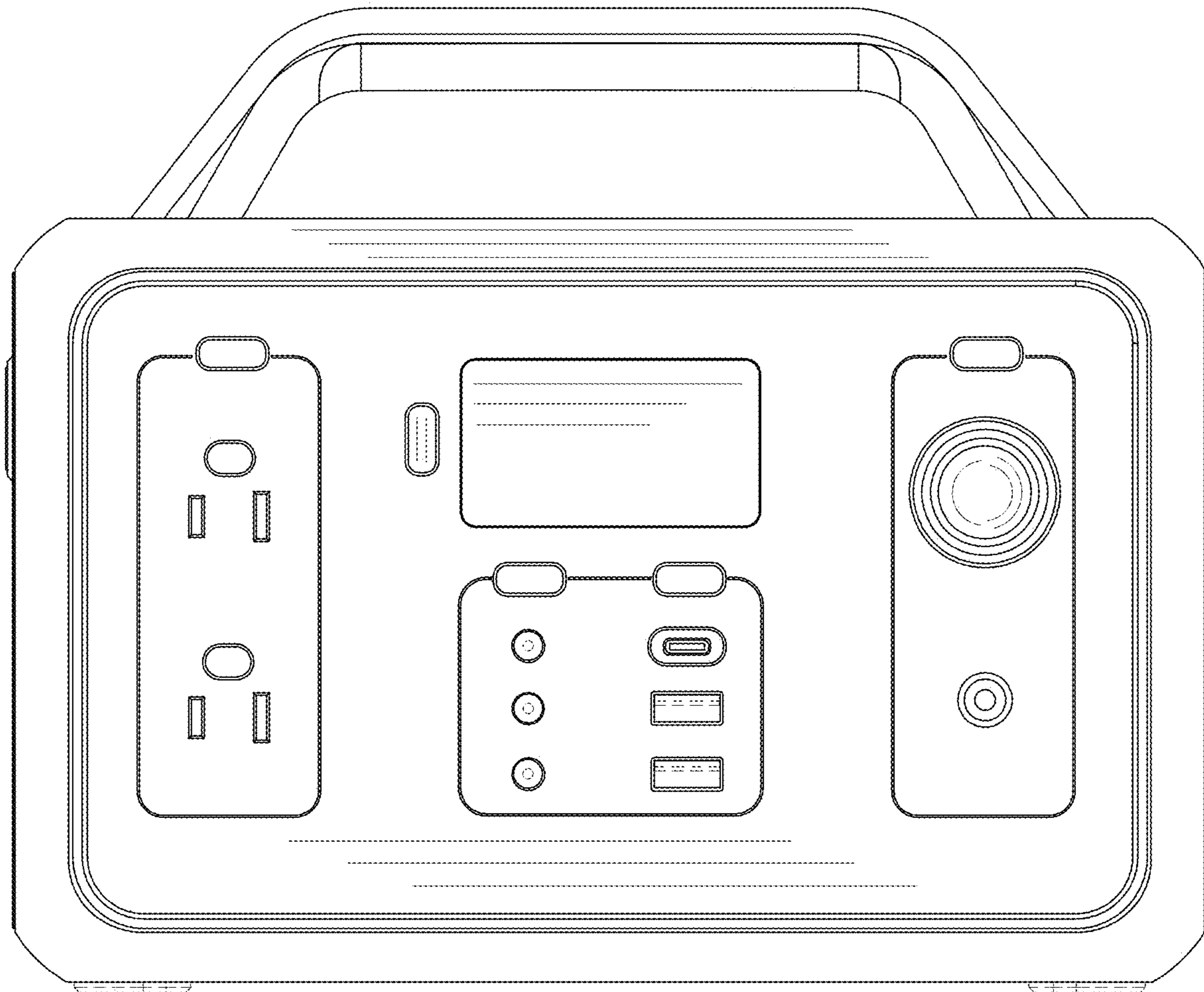


FIG.3

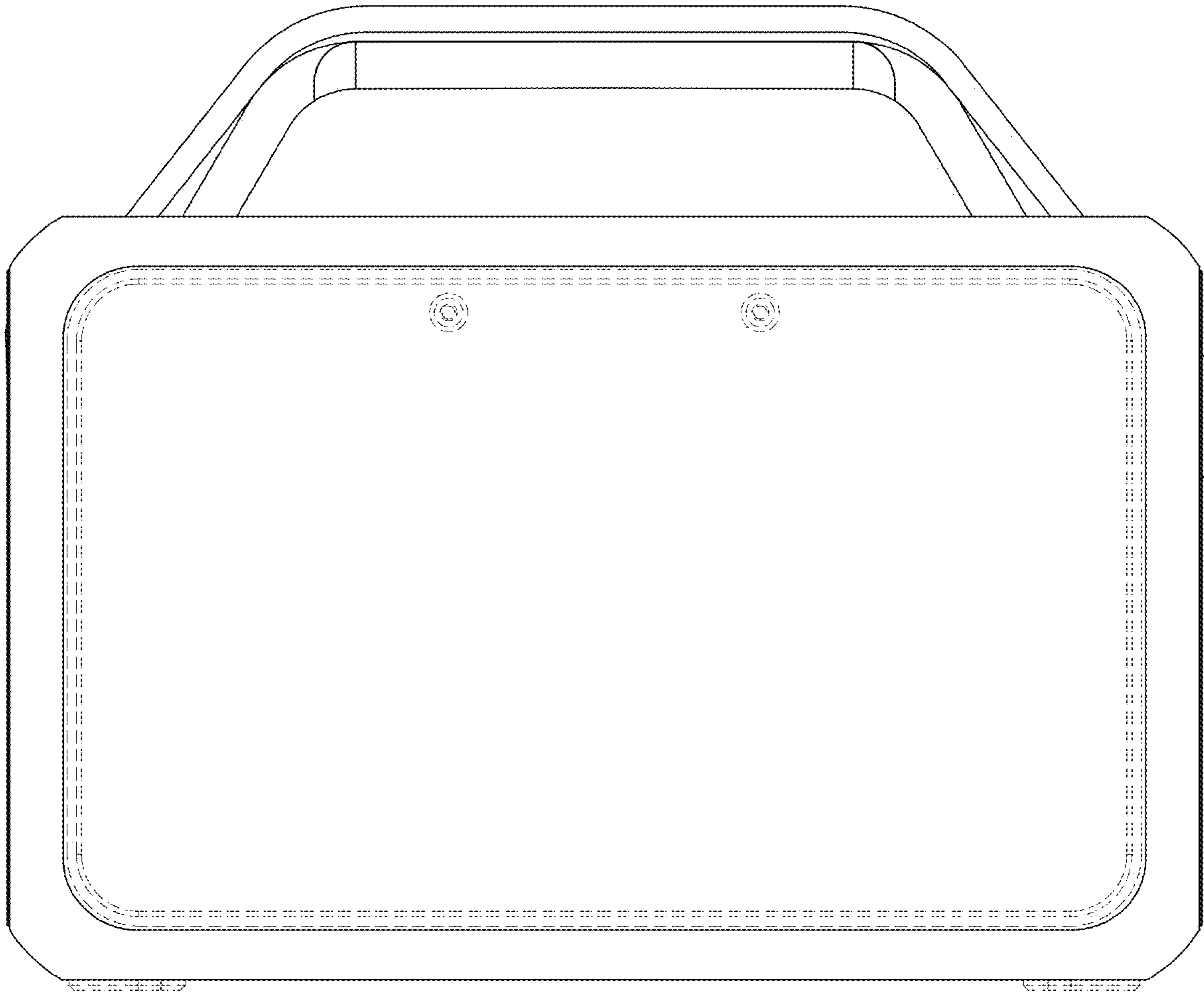


FIG.4

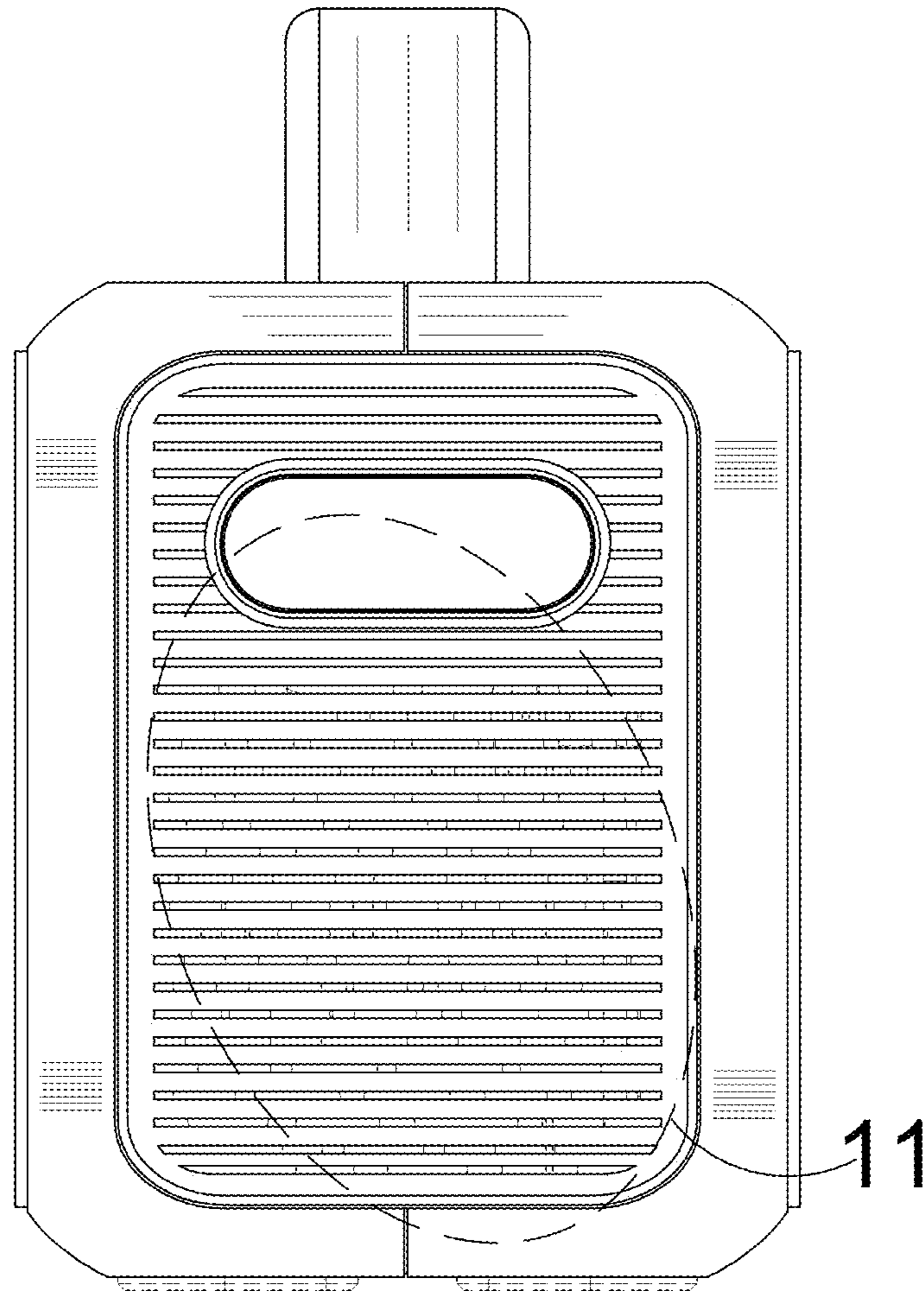


FIG.5

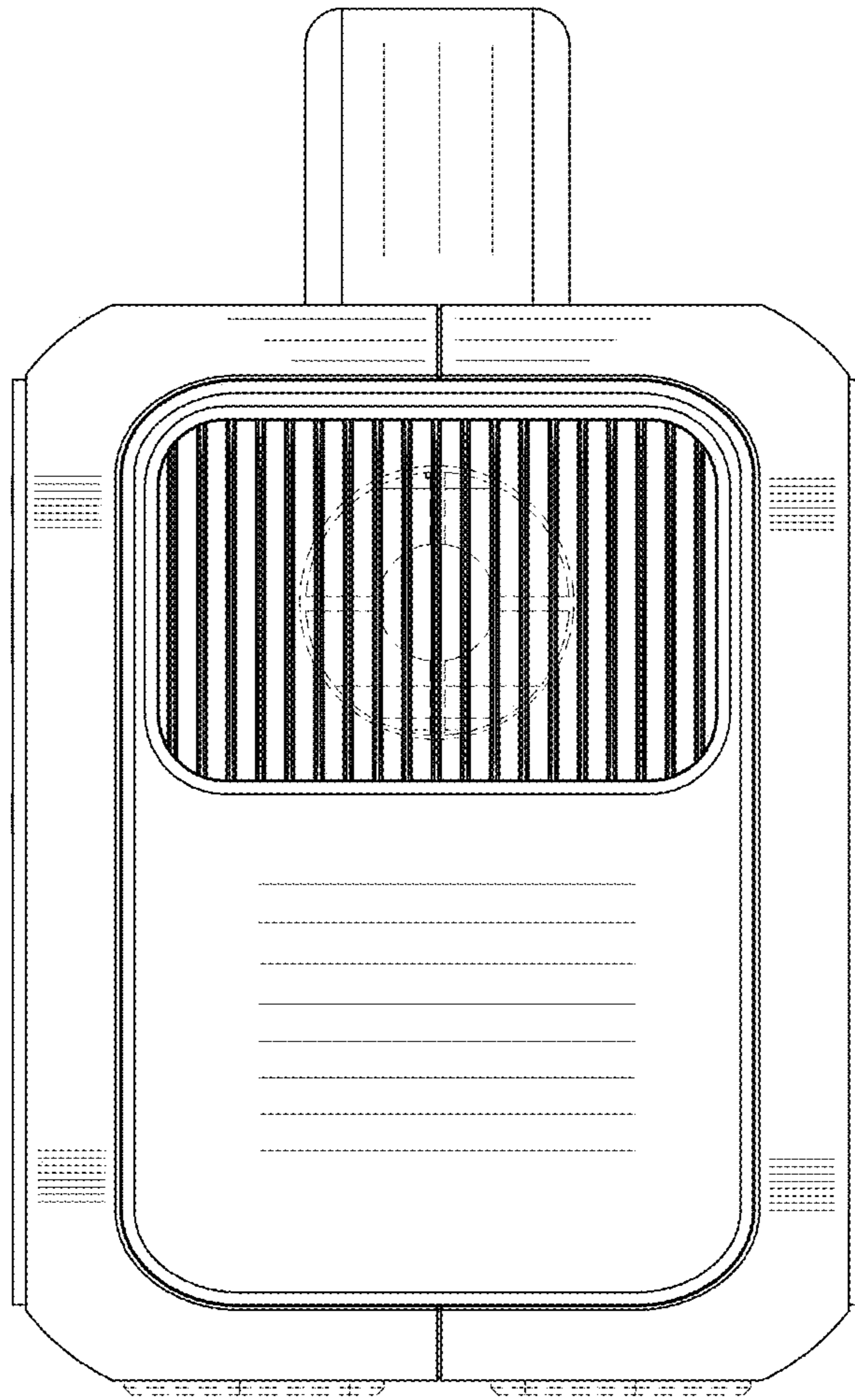


FIG.6

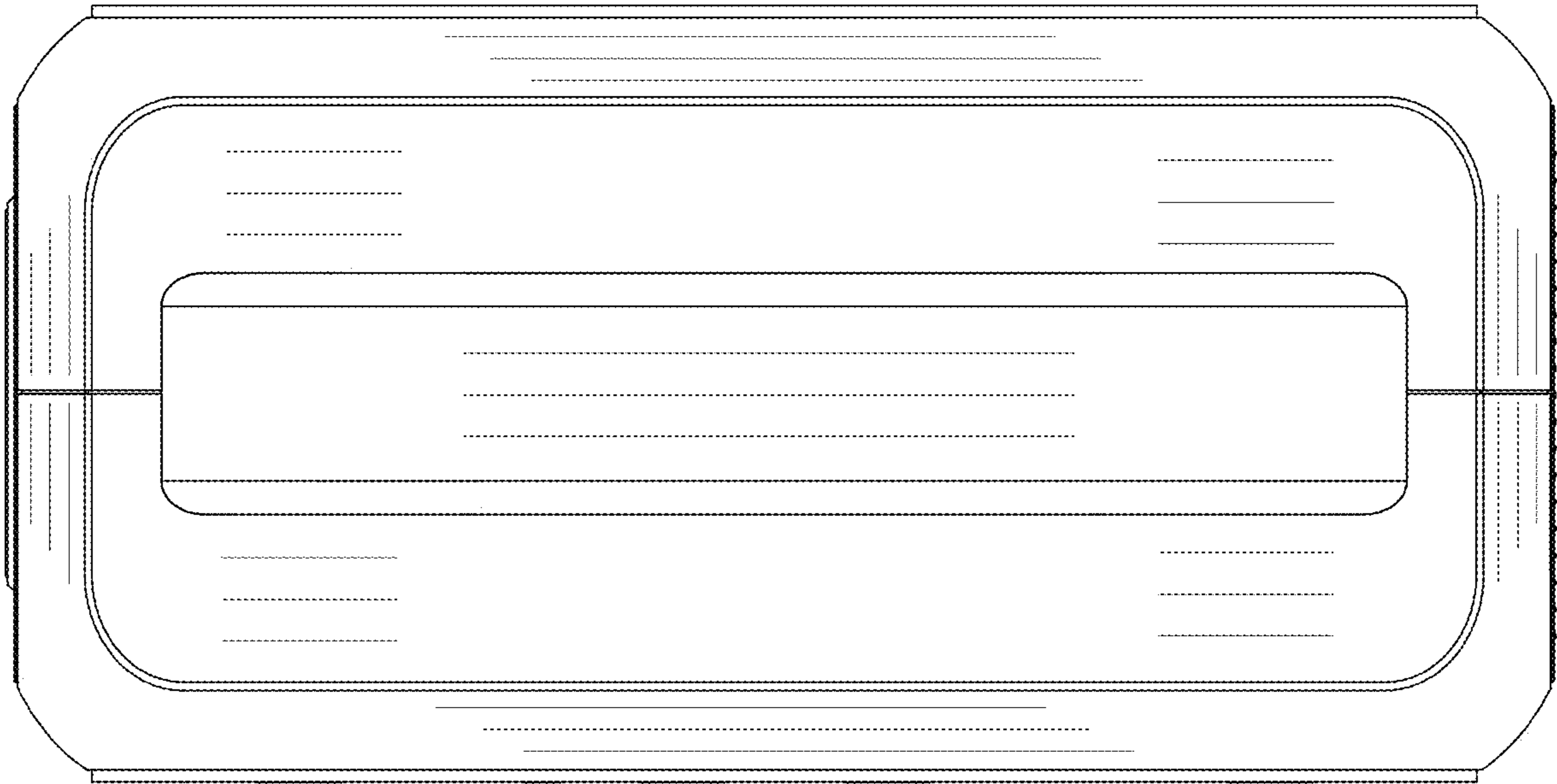


FIG. 7

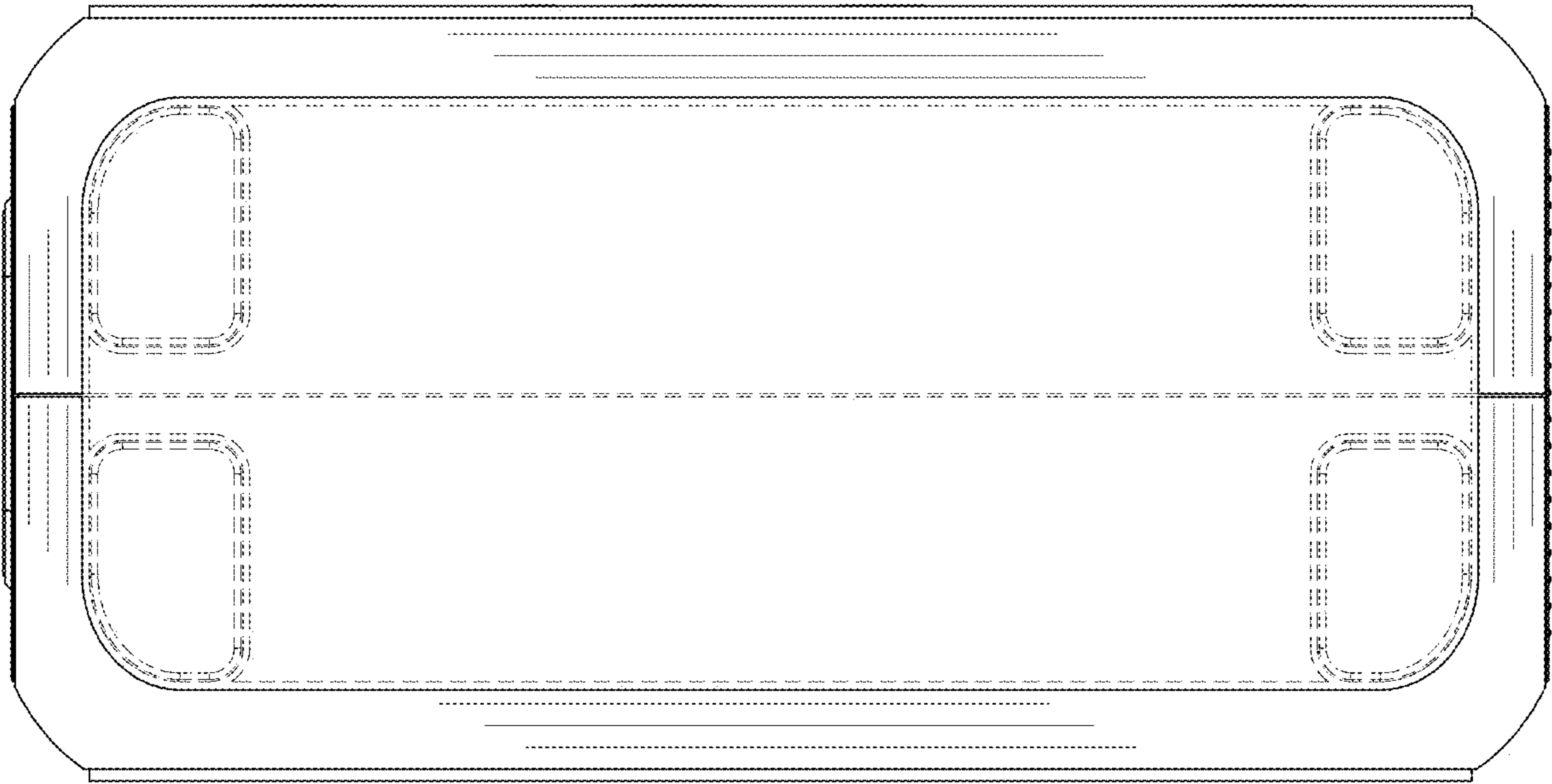


FIG. 8

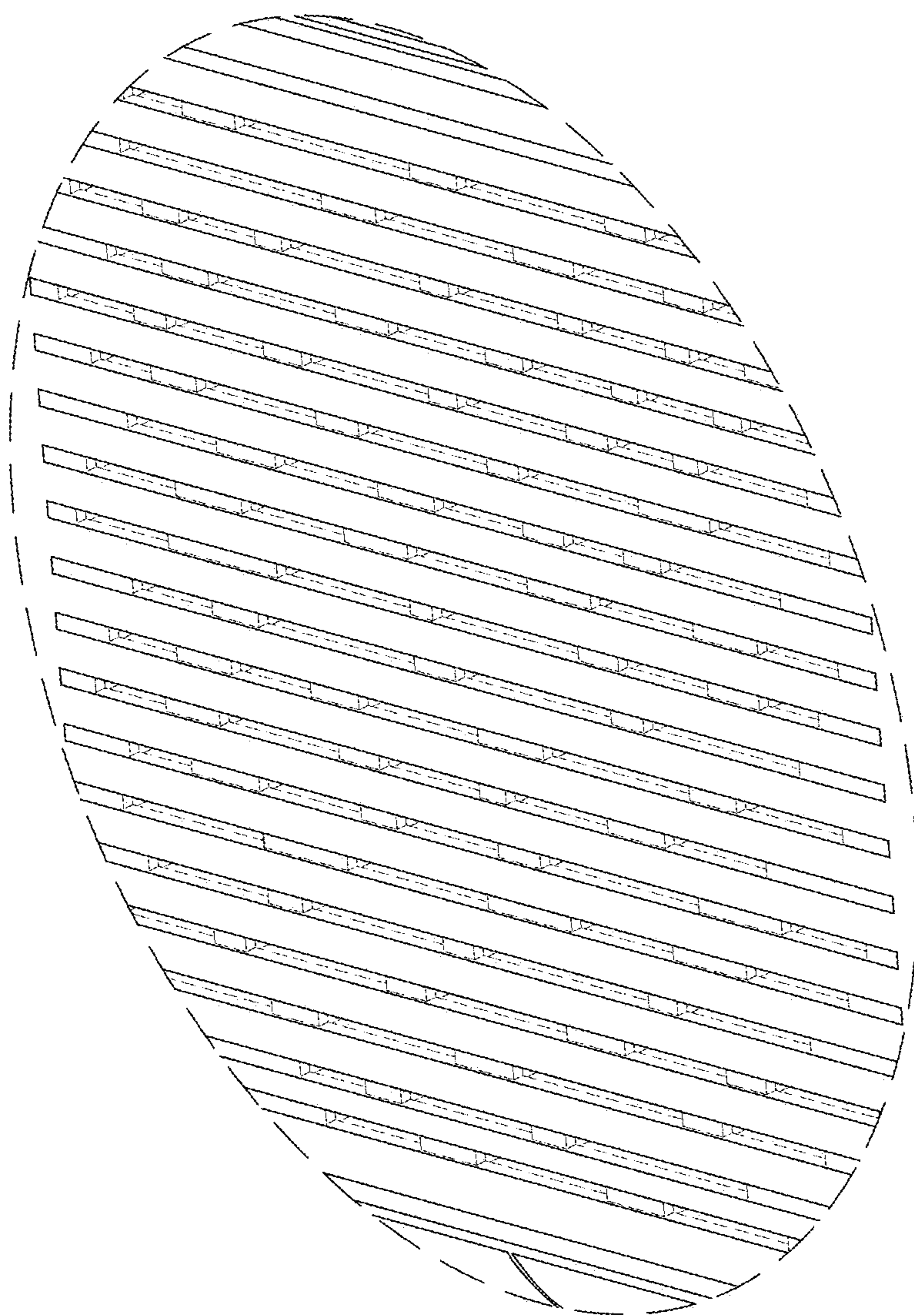


FIG.9

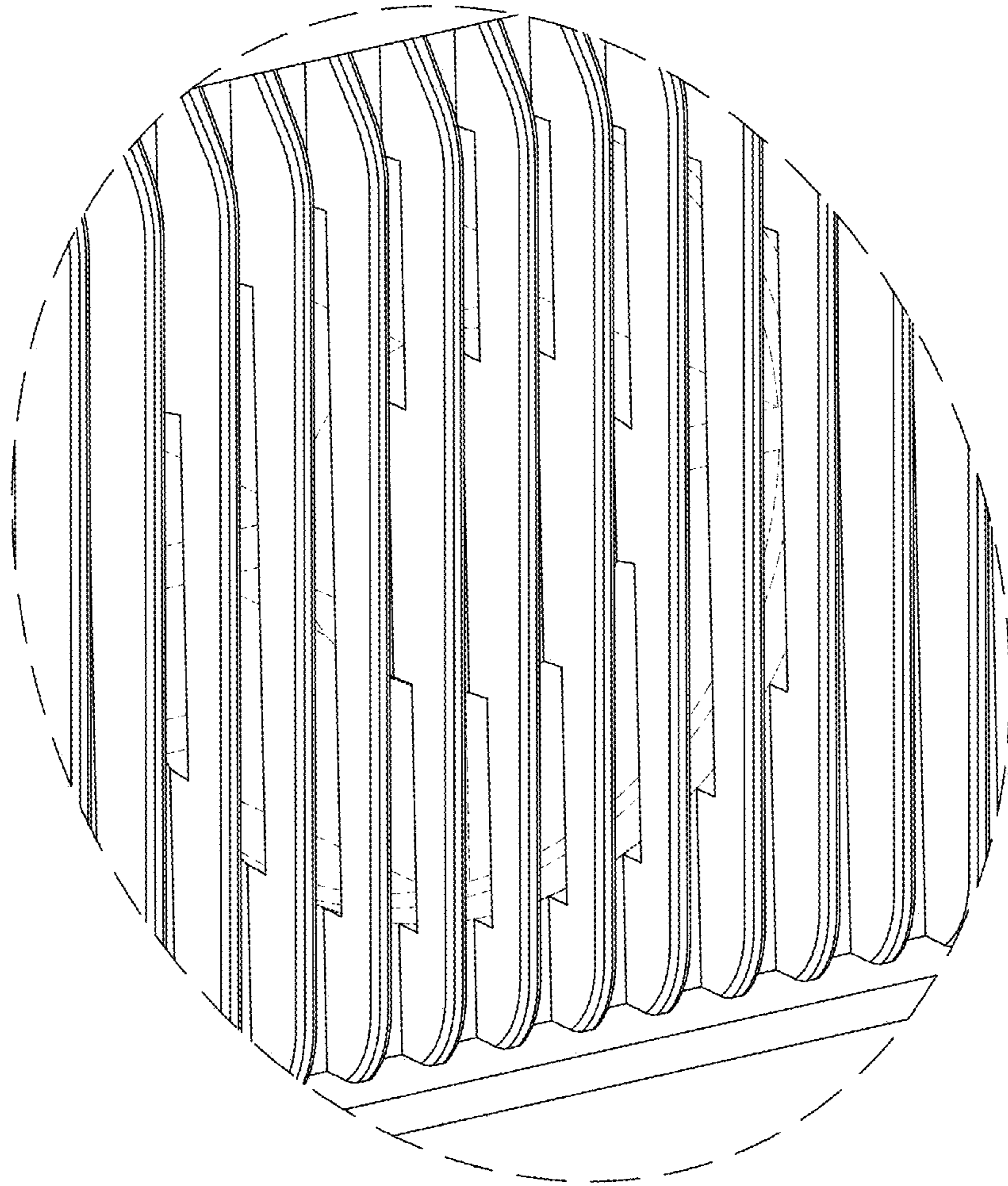


FIG. 10

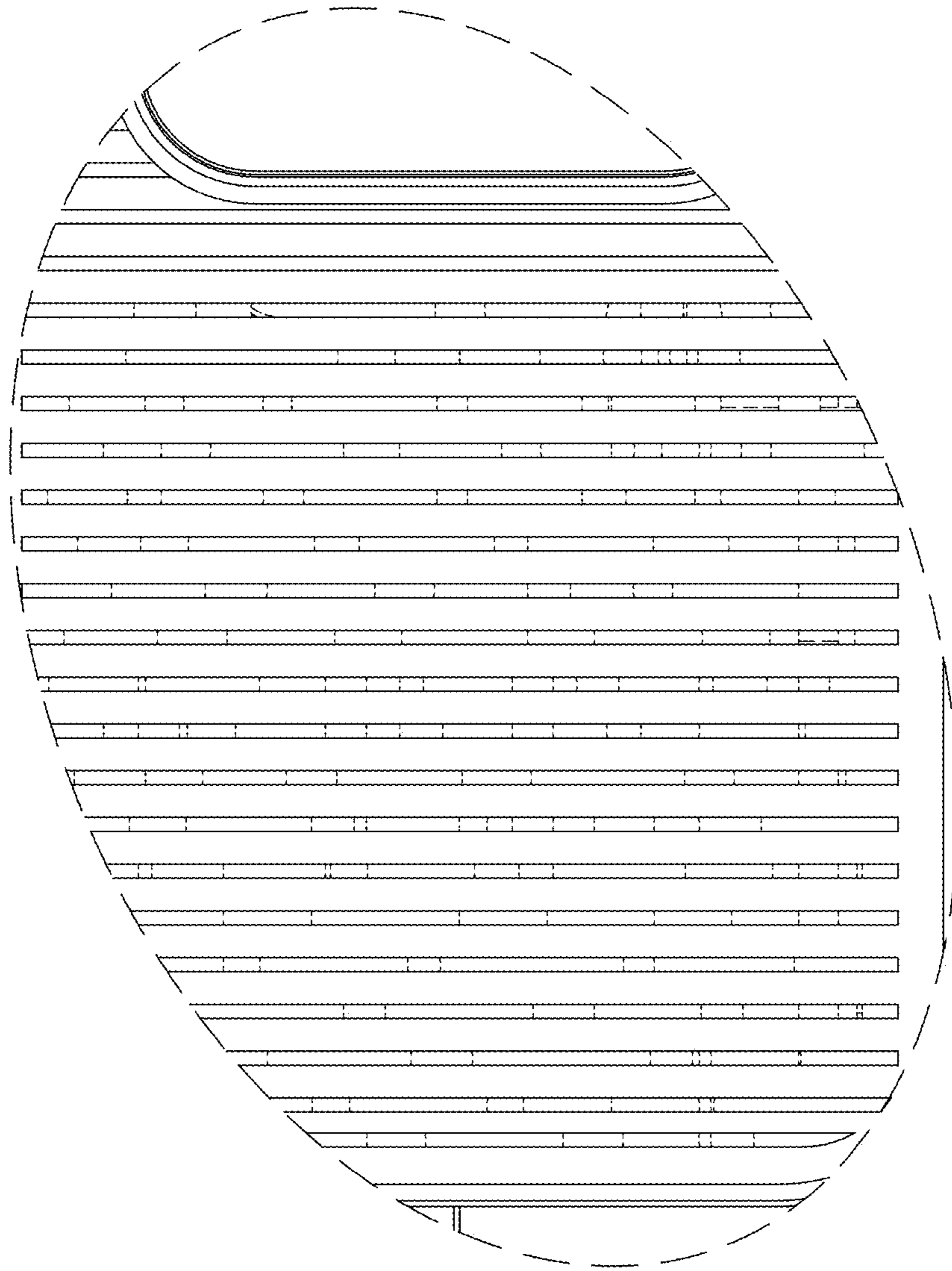


FIG. 11