



US00D938351S

(12) **United States Design Patent**  
**Yamamoto et al.**

(10) **Patent No.:** **US D938,351 S**

(45) **Date of Patent:** **\*\* Dec. 14, 2021**

(54) **MODULAR DEVICE CHARGING SYSTEM**

(56) **References Cited**

(71) Applicant: **Scosche Industries, Inc.**, Oxnard, CA (US)

U.S. PATENT DOCUMENTS

(72) Inventors: **Yasuhiro Yamamoto**, Thousand Oaks, CA (US); **Mark Larson**, Camarillo, CA (US); **Vince Alves**, Oxnard, CA (US)

D574,383 S *	8/2008	Maruyama .....	D14/434
D611,407 S *	3/2010	Webb .....	D13/108
D617,268 S *	6/2010	Yen .....	D13/108
D651,564 S *	1/2012	Workman .....	D13/108
D709,445 S *	7/2014	Yeh .....	D13/107
D716,304 S *	10/2014	Orthey .....	D14/420
D792,409 S *	7/2017	Shim .....	D14/435
D817,269 S *	5/2018	Sukphist .....	D13/108
D886,735 S *	6/2020	Yamamoto .....	D13/108
D887,349 S *	6/2020	Yamamoto .....	D13/108
D887,350 S *	6/2020	Yamamoto .....	D13/108
D899,361 S *	10/2020	Lv .....	D13/108
D909,968 S *	2/2021	Chen .....	D13/108

(73) Assignee: **Scosche Industries, Inc.**, Oxnard, CA (US)

(\*\*) Term: **15 Years**

\* cited by examiner

(21) Appl. No.: **29/734,854**

(22) Filed: **May 15, 2020**

*Primary Examiner* — Nathaniel D. Buckner

(74) *Attorney, Agent, or Firm* — Stetina Brunda Garred & Brucker

**Related U.S. Application Data**

(63) Continuation of application No. 29/675,756, filed on Jan. 4, 2019, now abandoned, which is a continuation-in-part of application No. 16/234,305, filed on Dec. 27, 2018.

(57) **CLAIM**

The ornamental design for a modular device charging system, as shown and described.

(51) **LOC (13) Cl.** ..... **13-02**

(52) **U.S. Cl.**  
USPC ..... **D13/108**

**DESCRIPTION**

(58) **Field of Classification Search**

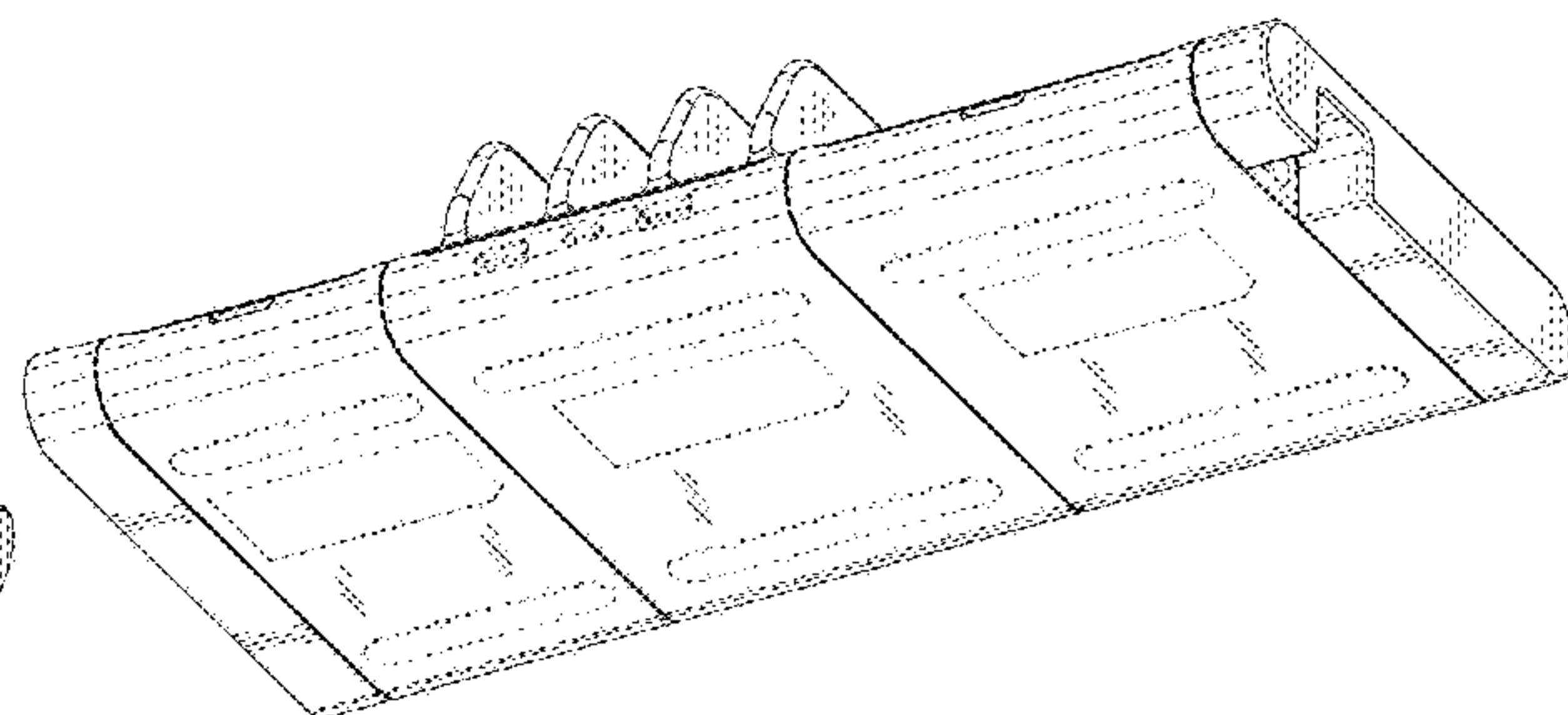
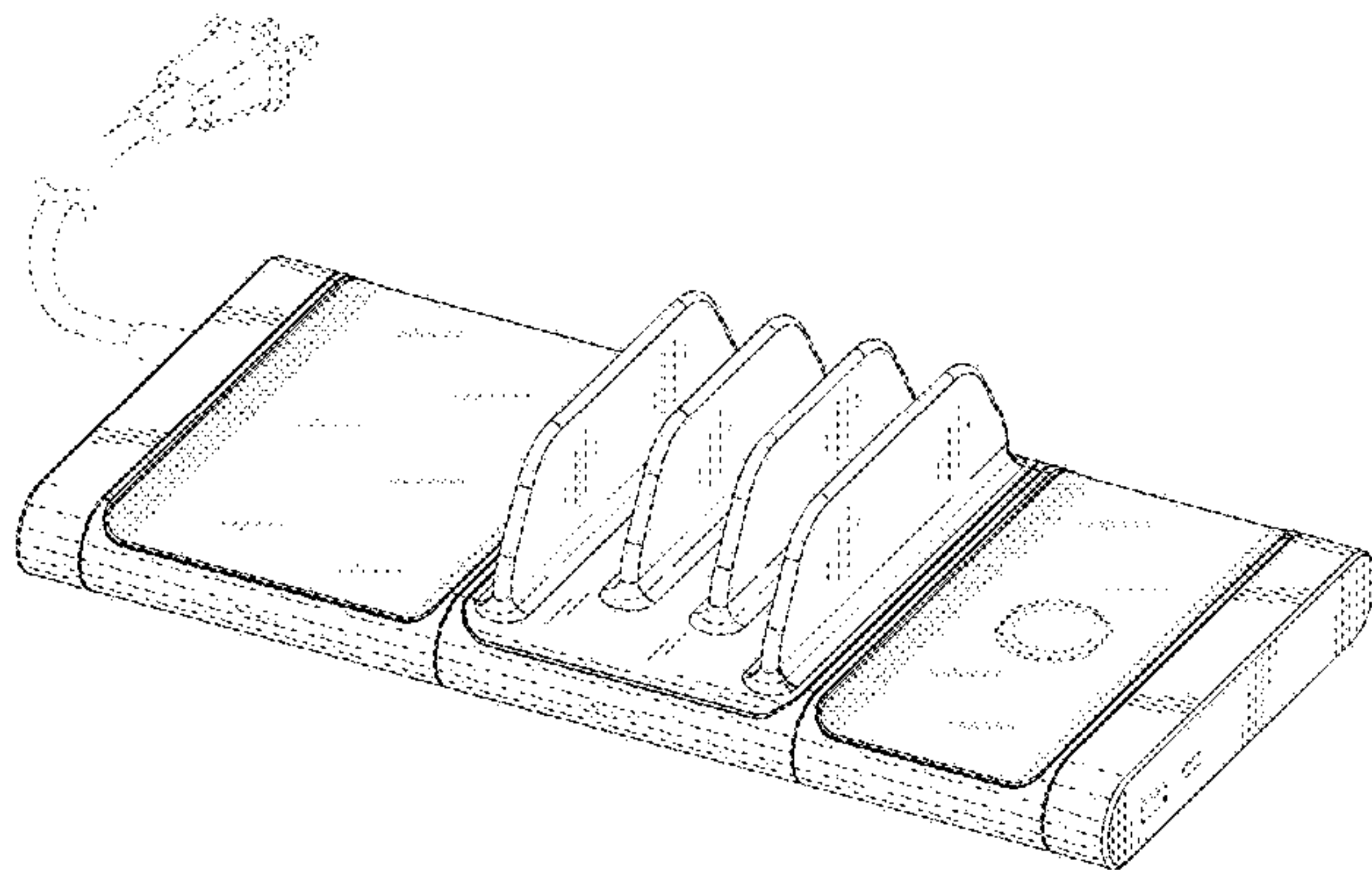
USPC ..... D13/107–110, 118–119, 184; D14/251, D14/253, 432, 434  
CPC ..... Y02E 60/12; Y02T 90/14; Y02T 90/122; Y02T 90/128; Y02T 90/163; H02J 7/025; H02J 7/0042; H02J 7/0044; H02J 7/0045; H02J 7/0003; H01F 38/14; H01R 13/6675; H01M 2/1022; H01M 2/1055; H01M 10/44; H01M 10/46; H01M 10/425; B60L 11/182

FIG. 1 is a front perspective view showing a modular device charging system of the present invention; FIG. 2 is a rear perspective view thereof; FIG. 3 is a top view thereof; FIG. 4 is a front view thereof; FIG. 5 is a rear view thereof; FIG. 6 is a right side view thereof; FIG. 7 is left side view thereof; and, FIG. 8 is a bottom view thereof.

The broken lines in the figures depict environmental structure and portions of the modular device charging system that form no part of the claimed design.

See application file for complete search history.

**1 Claim, 6 Drawing Sheets**



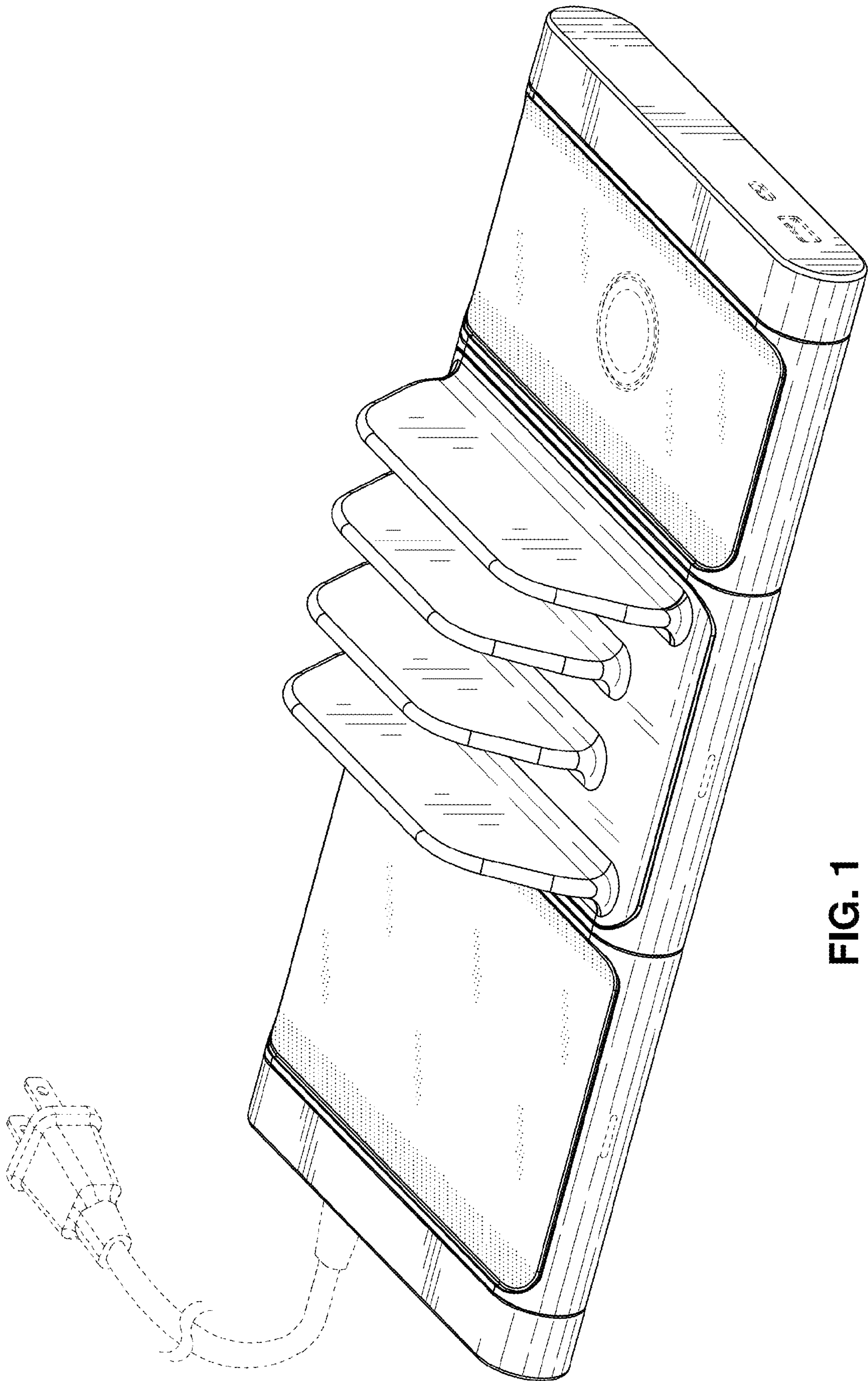


FIG. 1

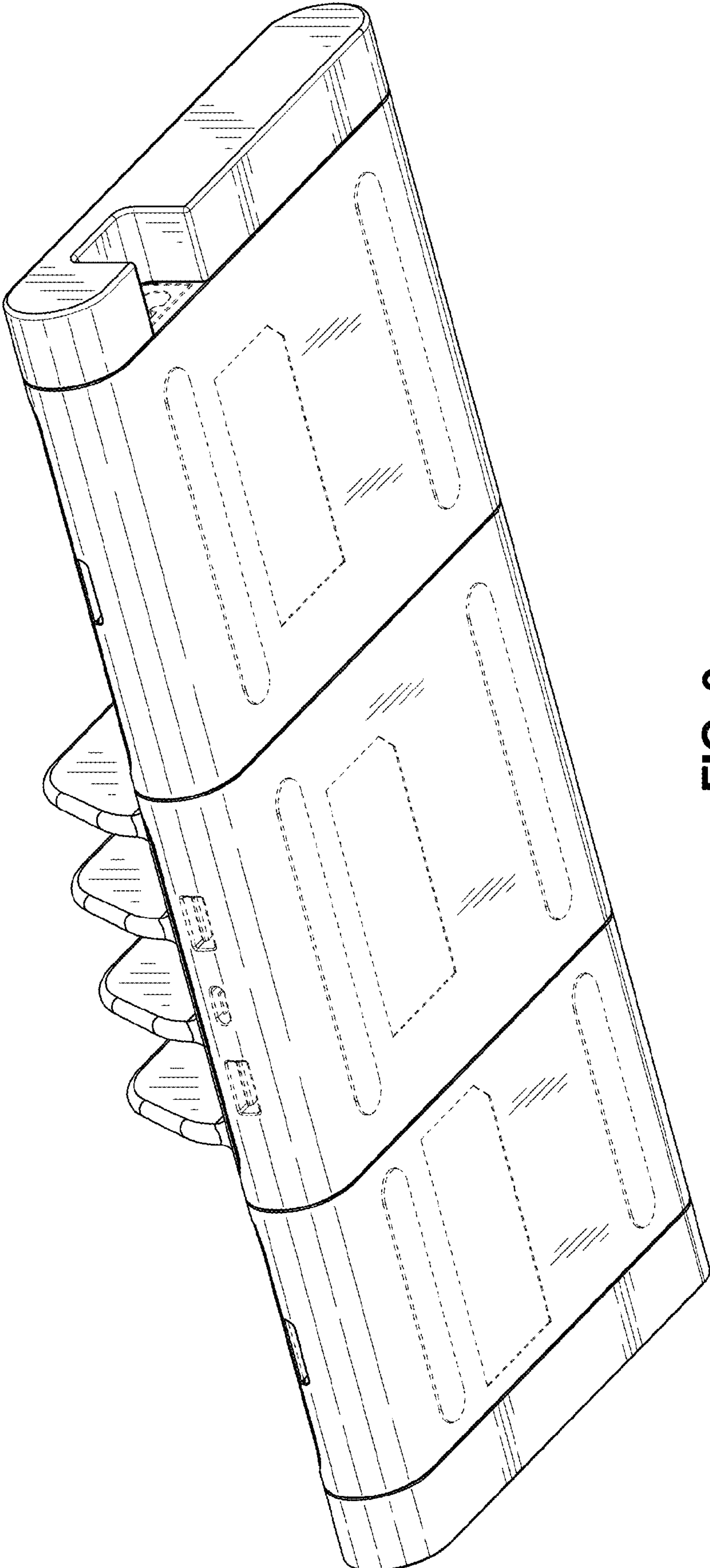


FIG. 2



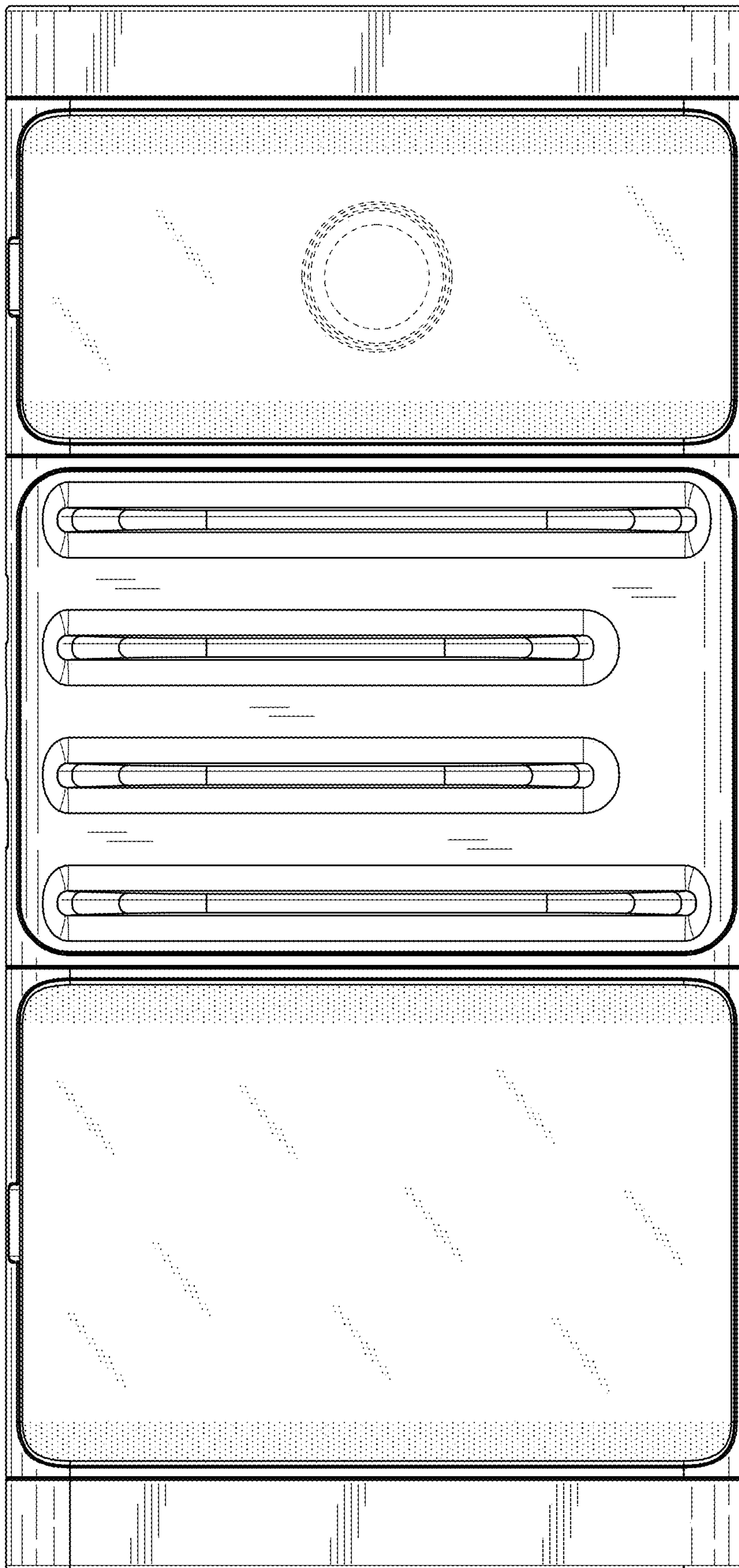


FIG. 3

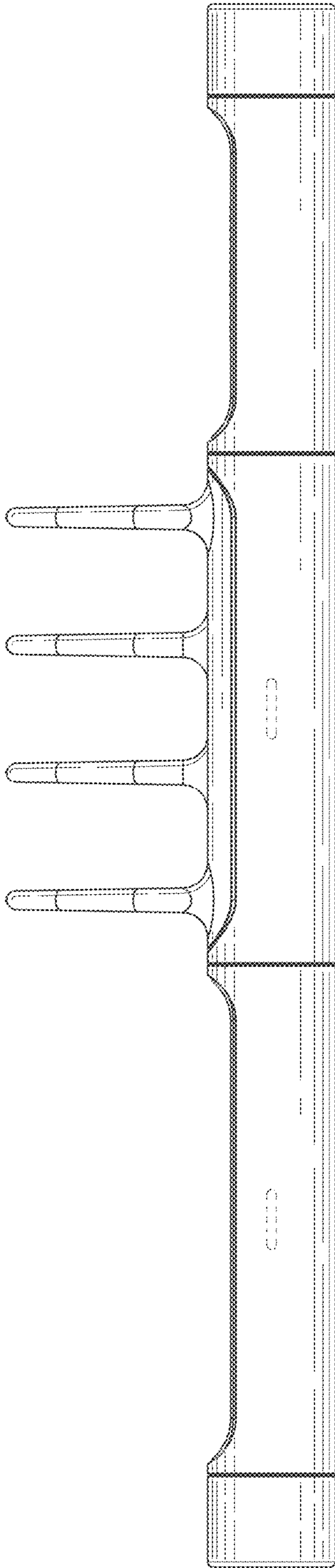


FIG. 4

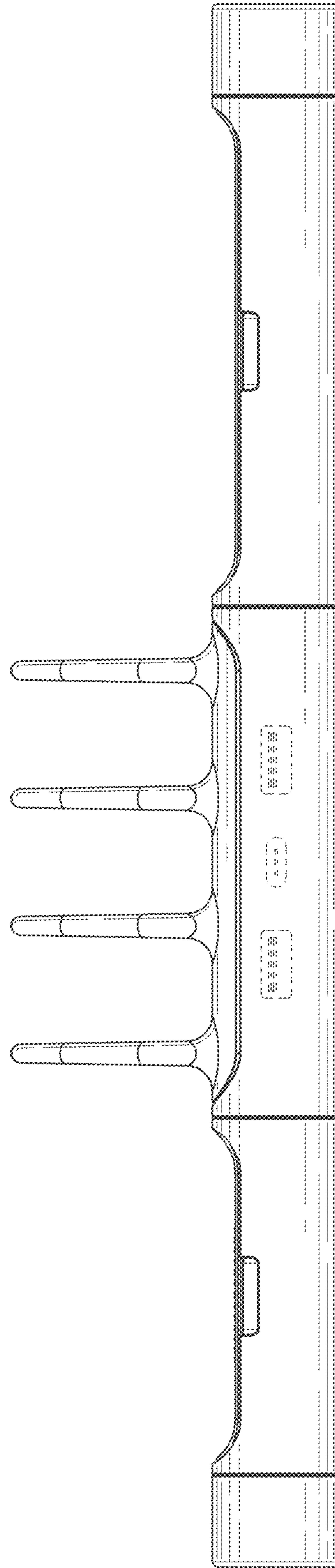
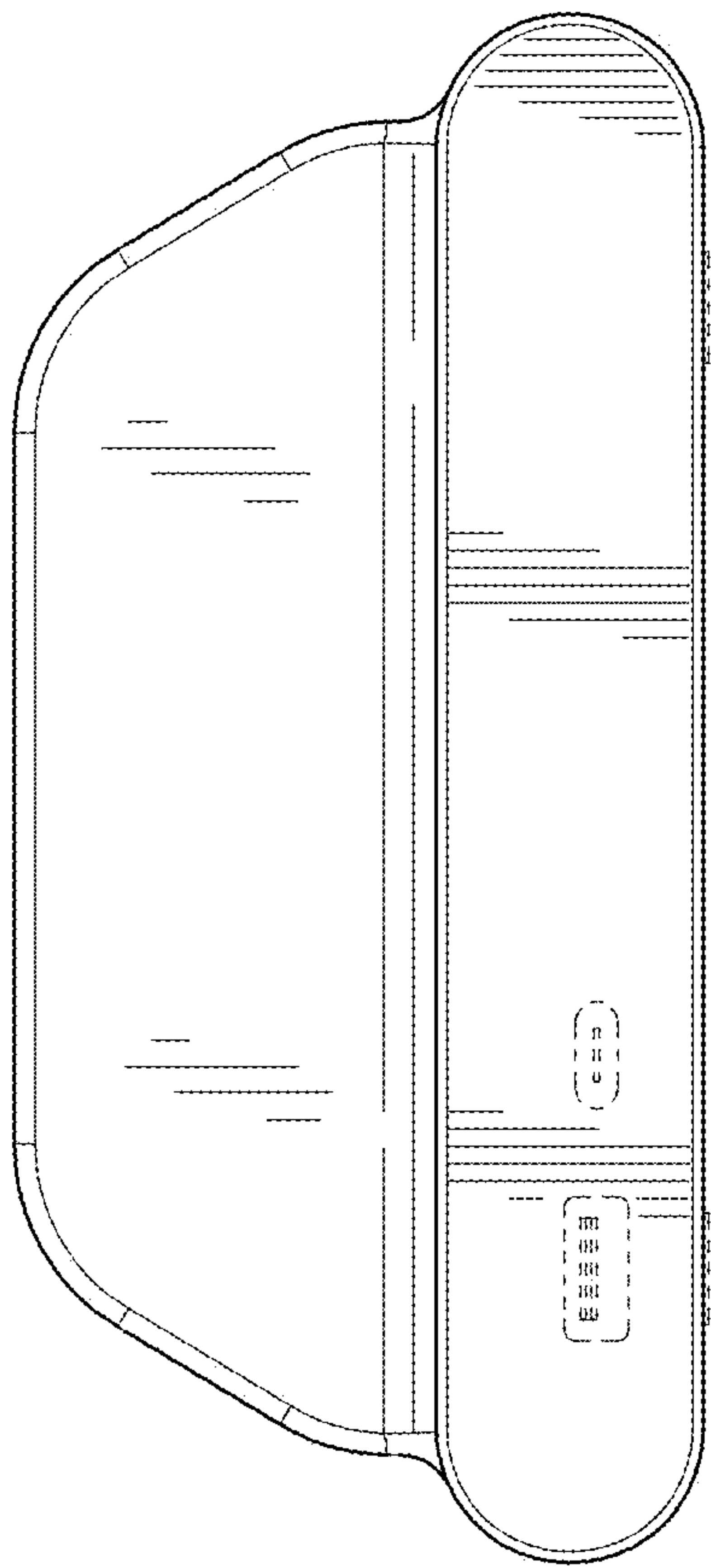
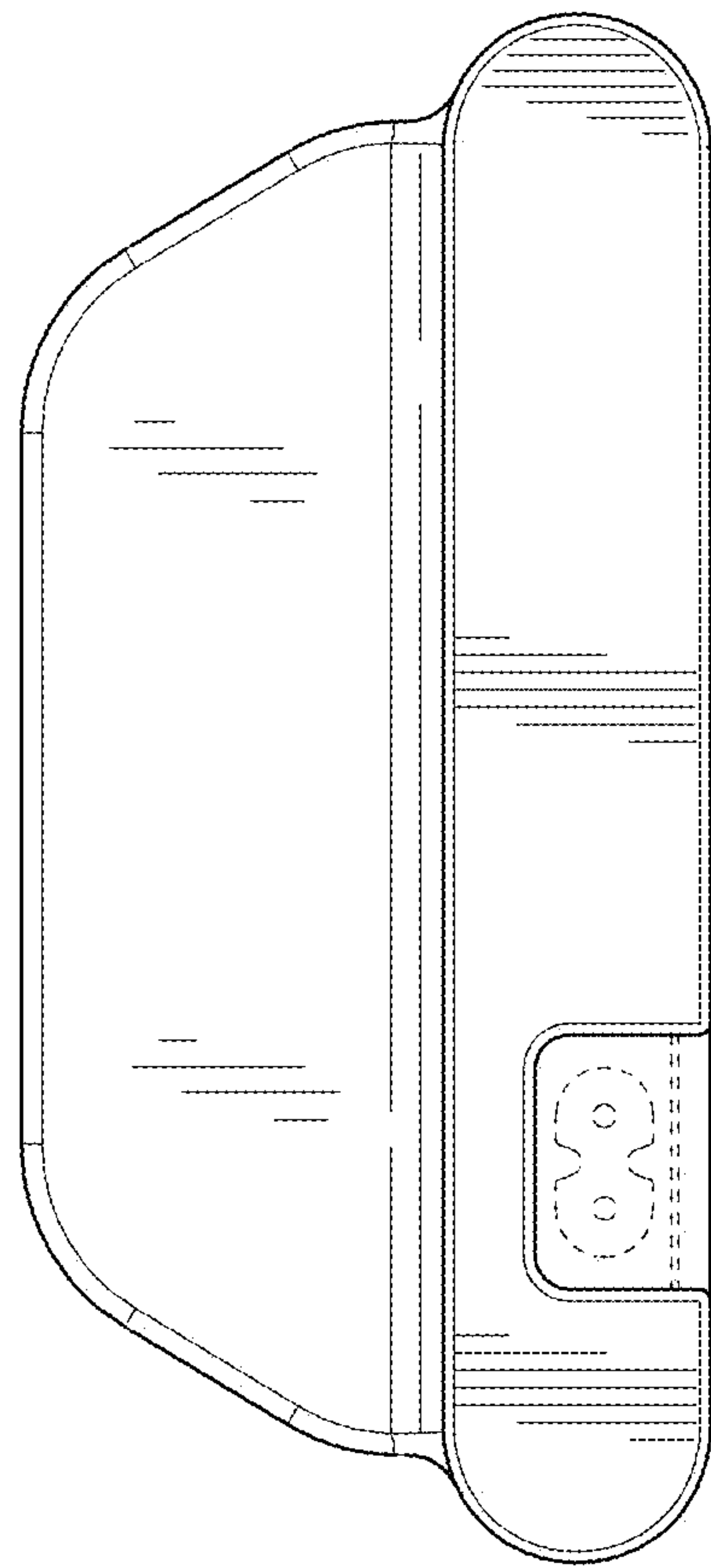


FIG. 5



**FIG. 6**



**FIG. 7**

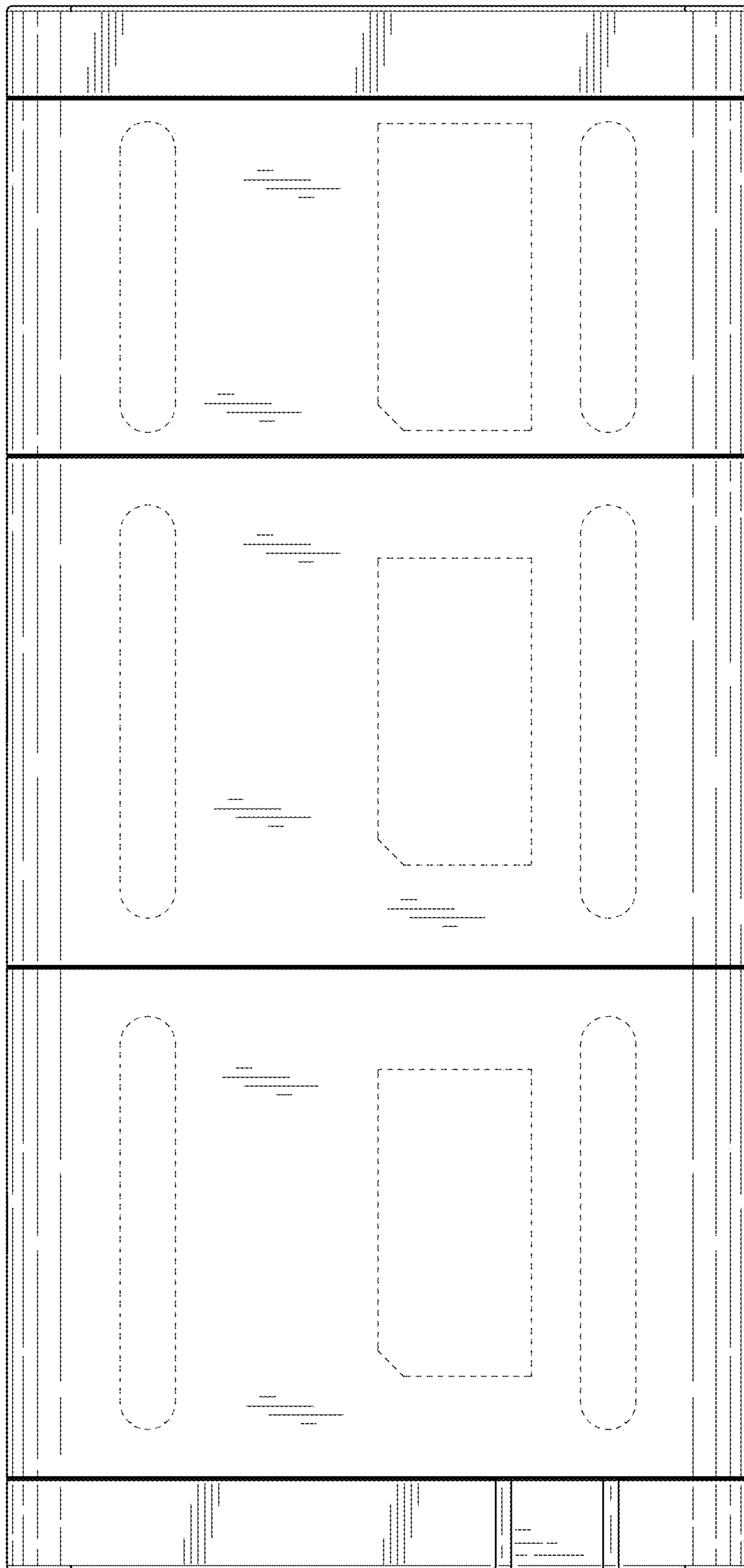


FIG. 8