



US00D938350S

(12) **United States Design Patent** (10) **Patent No.:** **US D938,350 S**  
**Aresalo et al.** (45) **Date of Patent:** **\*\* Dec. 14, 2021**

- (54) **CHARGING APPARATUS**
- (71) Applicants: **Mikko Aresalo**, Hollola (FI); **Petteri Jokinen**, Lahti (FI)
- (72) Inventors: **Mikko Aresalo**, Hollola (FI); **Petteri Jokinen**, Lahti (FI)
- (73) Assignee: **KEMPOWER OY**, Lahti (FI)
- (\*\*) Term: **15 Years**
- (21) Appl. No.: **29/765,858**
- (22) Filed: **Jan. 12, 2021**

D641,318 S	7/2011	Maeda	
D654,858 S	2/2012	Salazar et al.	
D674,334 S	1/2013	Cutter et al.	
D683,307 S	5/2013	Lecoanet et al.	
D686,996 S	7/2013	Seff et al.	
D702,181 S *	4/2014	Maki .....	D13/107
D711,313 S	8/2014	Chin-Ho Kim et al.	
8,978,631 B2	3/2015	Shudo et al.	
D756,943 S *	5/2016	Epstein .....	D13/184
D762,166 S *	7/2016	Arends .....	D13/107
D828,293 S *	9/2018	Li .....	D13/102
D829,169 S *	9/2018	Okado .....	D13/110
D853,327 S	7/2019	Tschopp	

(Continued)

**Related U.S. Application Data**

- (62) Division of application No. 29/675,687, filed on Jan. 4, 2019, now Pat. No. Des. 910,549.
- (51) **LOC (13) Cl.** ..... **13-02**
- (52) **U.S. Cl.**  
USPC ..... **D13/107**
- (58) **Field of Classification Search**  
USPC ..... D13/107-110, 118-119, 184; D14/251, D14/253, 432, 434  
CPC ..... Y02E 60/12; Y02T 90/14; Y02T 90/122; Y02T 90/128; Y02T 90/163; H02J 7/025; H02J 7/0042; H02J 7/0044; H02J 7/0045; H02J 7/0013; H02J 7/0003; H01F 38/14; H01R 13/6675; H01M 2/1022; H01M 2/1055; H01M 10/44; H01M 10/46; H01M 10/425; B60L 11/182  
See application file for complete search history.

**References Cited**

**U.S. PATENT DOCUMENTS**

5,424,588 A	6/1995	Cantor et al.	
D429,687 S	8/2000	Steiner et al.	
D511,139 S	11/2005	Xiao	
D602,934 S *	10/2009	Cao .....	D14/356

**OTHER PUBLICATIONS**

US, Restriction Requirement; U.S. Patent and Trademark Office; U.S. Appl. No. 29/675,687; 6 pages (dated Jan. 31, 2020).

(Continued)

*Primary Examiner* — Nathaniel D. Buckner

(74) *Attorney, Agent, or Firm* — Thompson Hine LLP

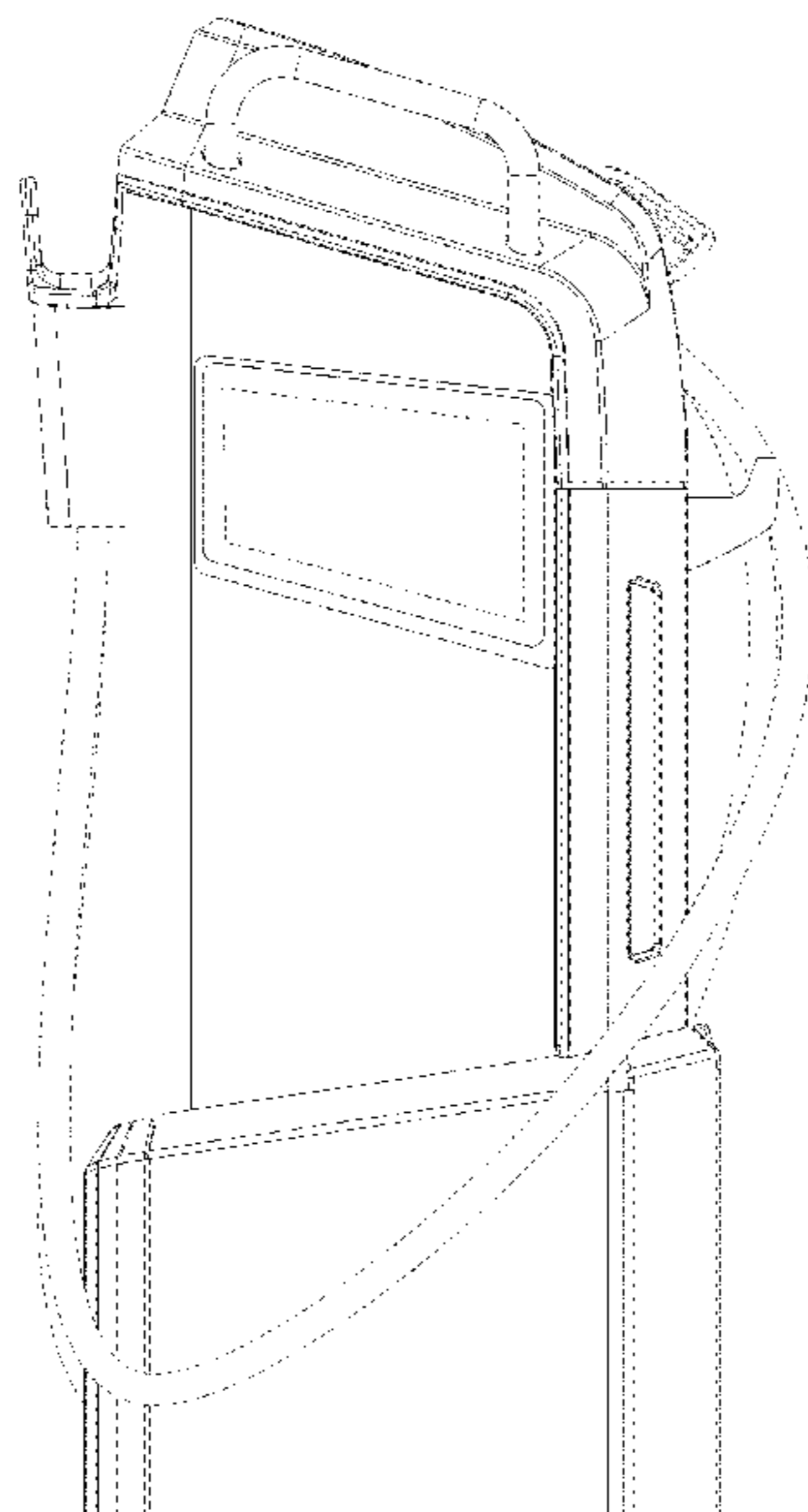
(57) **CLAIM**

The ornamental design for charging apparatus, as shown and described.

**DESCRIPTION**

FIG. 1 is a front elevation view of a charging apparatus showing our new design;  
 FIG. 2 is a first side view of the design of FIG. 1;  
 FIG. 3 is a back view of the design of FIG. 1;  
 FIG. 4 is a second side view of the design of FIG. 1;  
 FIG. 5 is a front perspective view of the design of FIG. 1;  
 FIG. 6 is a side perspective view of the design of FIG. 1;  
 and,  
 FIG. 7 is a top view of the design of FIG. 1.  
 The broken lines in the figures depict portions of the article which form no part of the claimed design.

**1 Claim, 7 Drawing Sheets**



(56)

**References Cited**

U.S. PATENT DOCUMENTS

D860,939 S 9/2019 Cline  
D870,036 S \* 12/2019 Yang ..... D13/107  
D872,687 S 1/2020 Mortun  
D907,574 S \* 1/2021 Yang ..... D13/107  
D908,081 S \* 1/2021 Huang ..... D13/102  
D910,549 S \* 2/2021 Aresalo ..... D13/107  
2012/0262114 A1 10/2012 Bianco  
2013/0175993 A1\* 7/2013 Chen ..... H02J 7/0044  
320/114  
2014/0036419 A1\* 2/2014 Prince ..... H02G 3/18  
361/625  
2016/0226108 A1\* 8/2016 Kim ..... H01M 50/20

OTHER PUBLICATIONS

US, Non-Final Office Action; U.S. Patent and Trademark Office;  
U.S. Appl. No. 29/675,687; 11 pages (dated Apr. 13, 2020).

US, Final Office Action; U.S. Patent and Trademark Office; U.S.  
Appl. No. 29/675,687; 15 pages (dated Jul. 21, 2020).

US, Notice of Allowance; U.S. Patent and Trademark Office; U.S.  
Appl. No. 29/675,687; 5 pages (dated Oct. 14, 2020).

\* cited by examiner

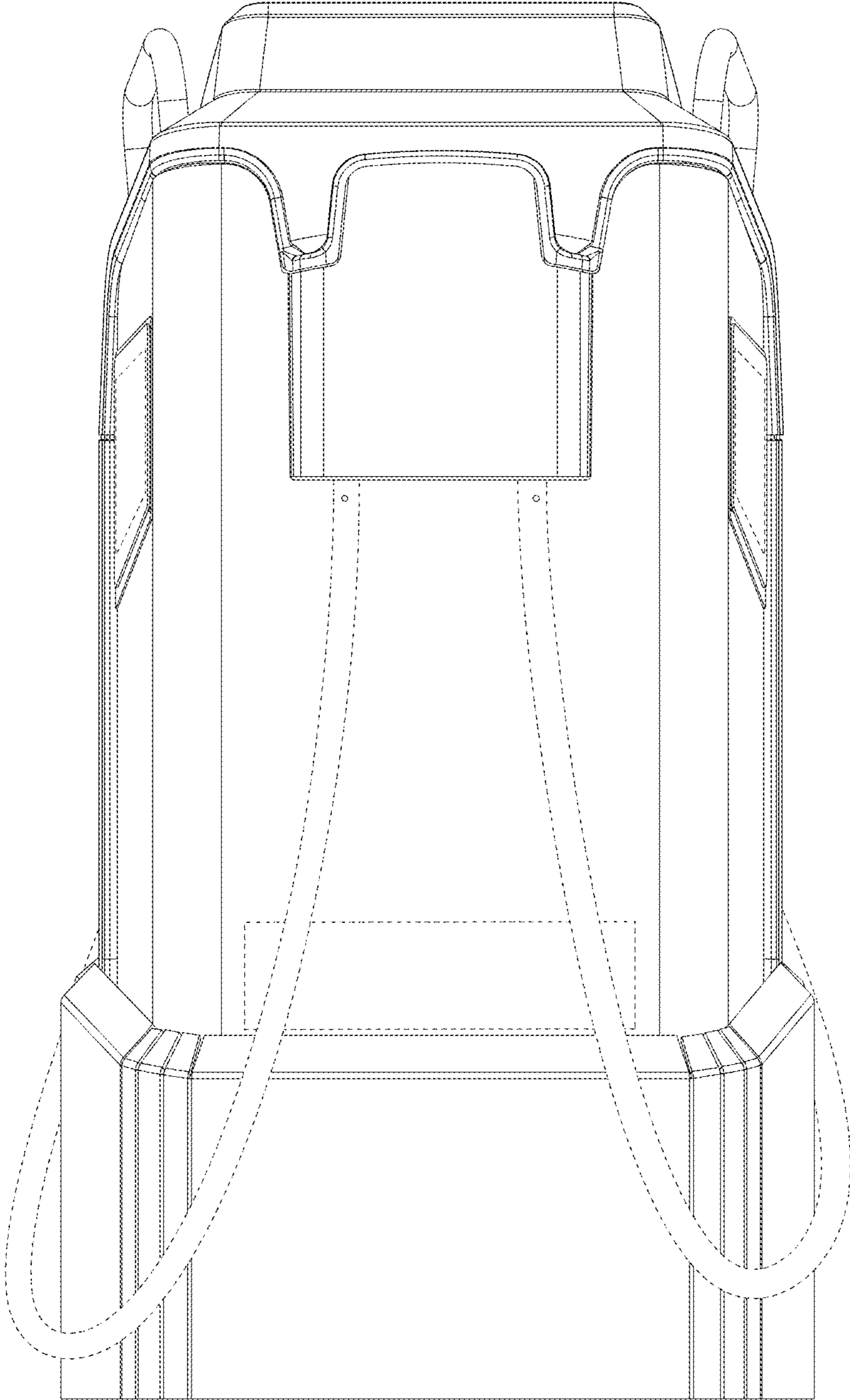


FIG. 1

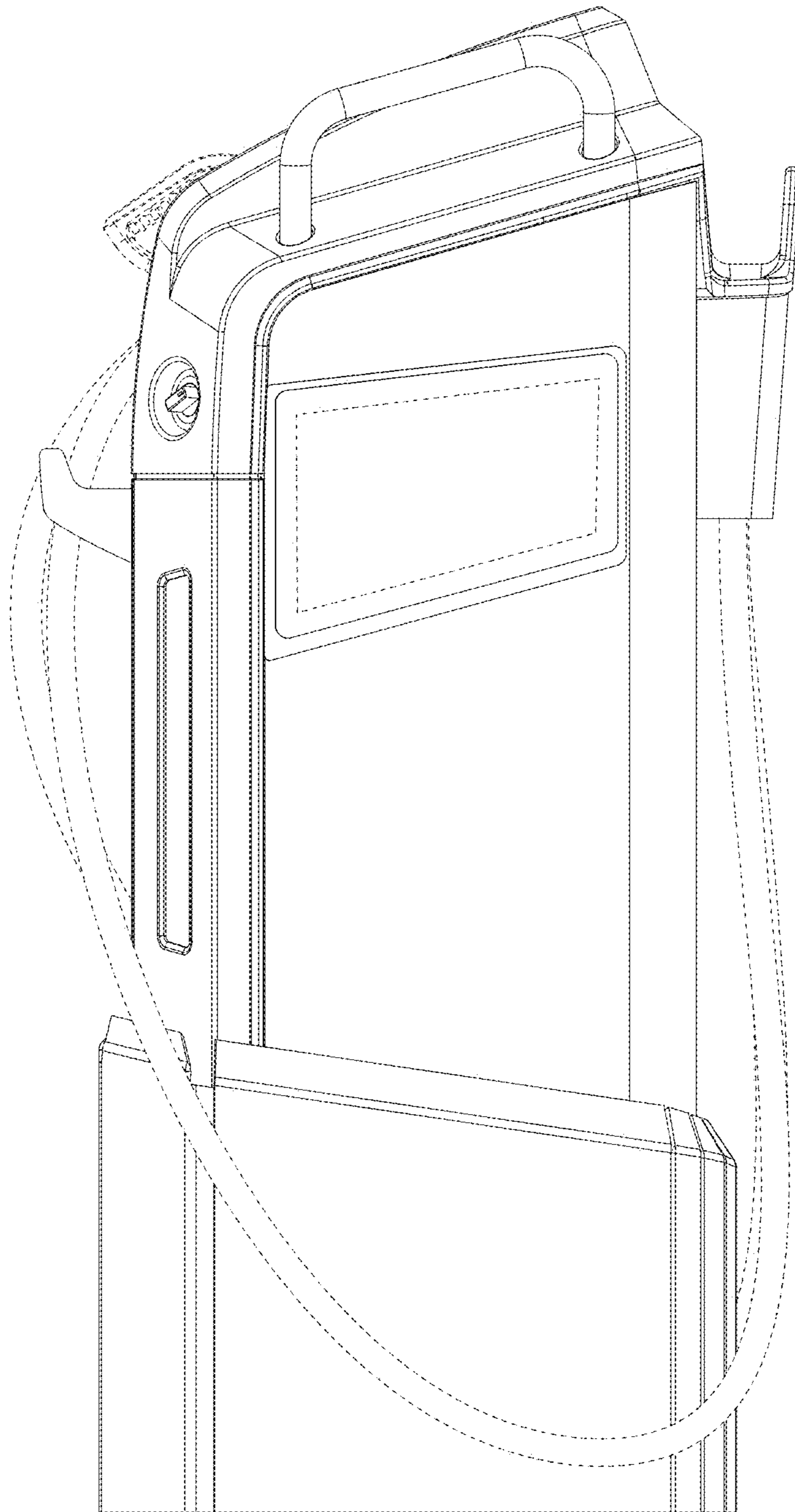


FIG. 2

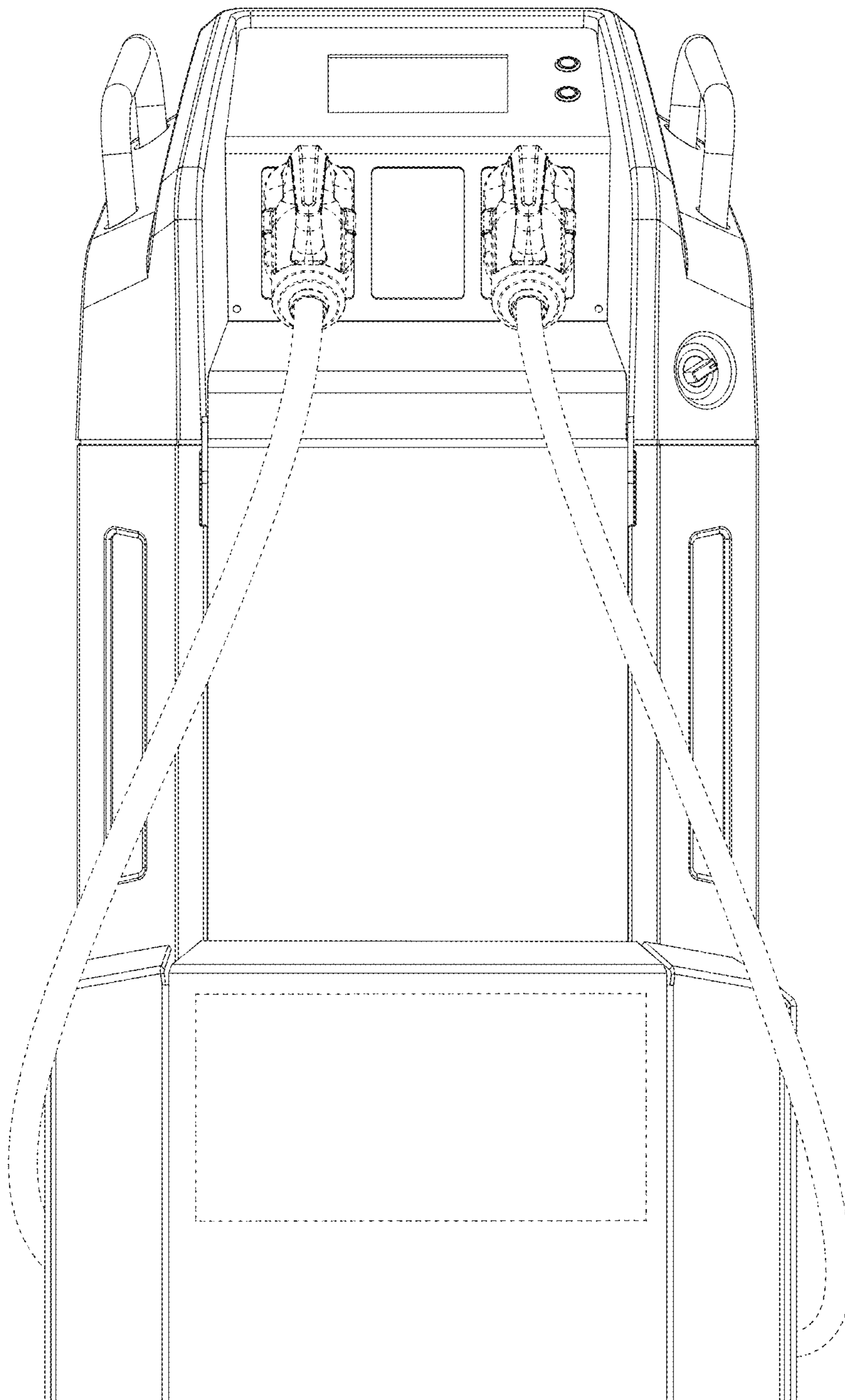


FIG. 3

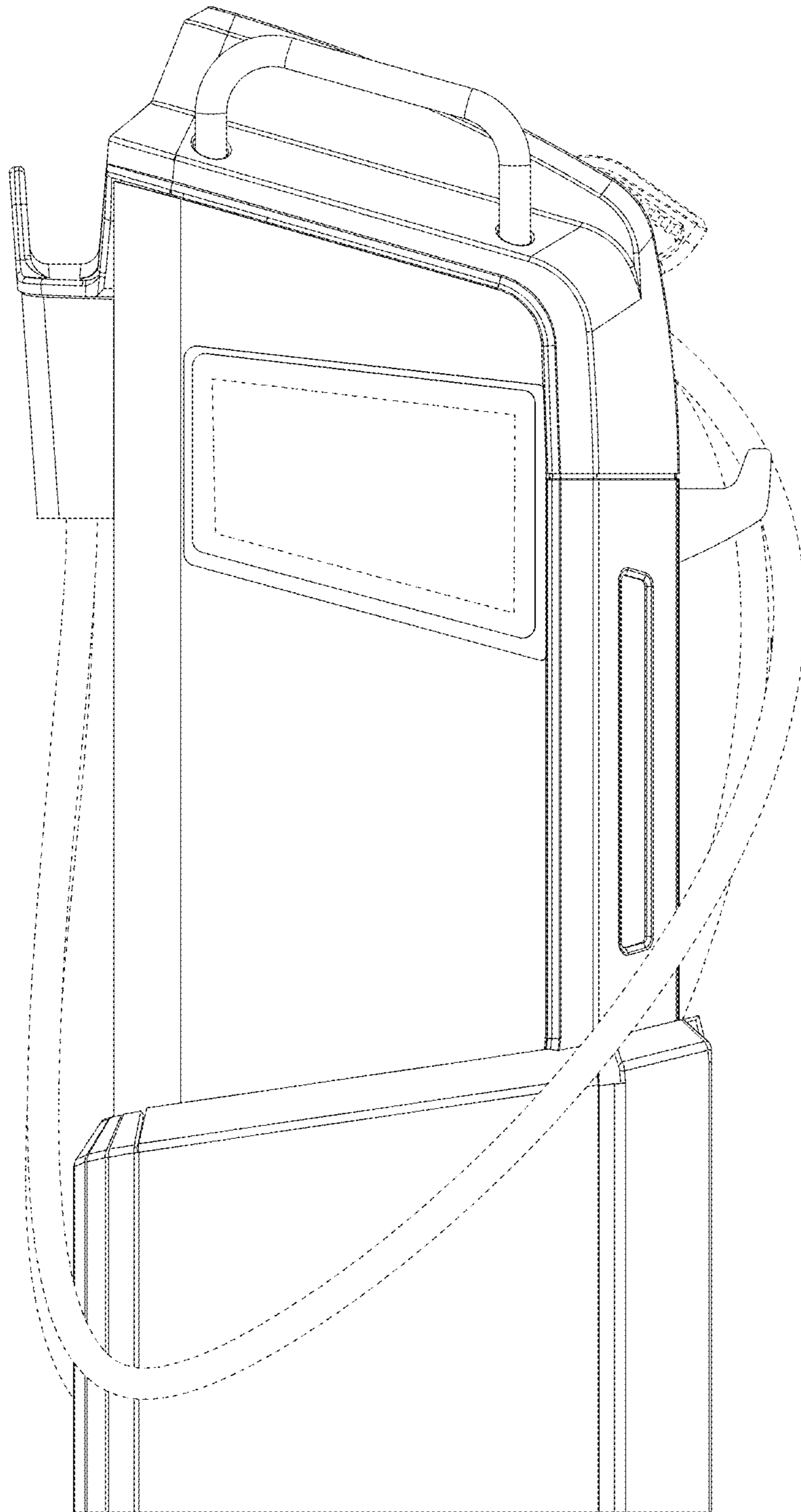


FIG. 4



FIG. 5

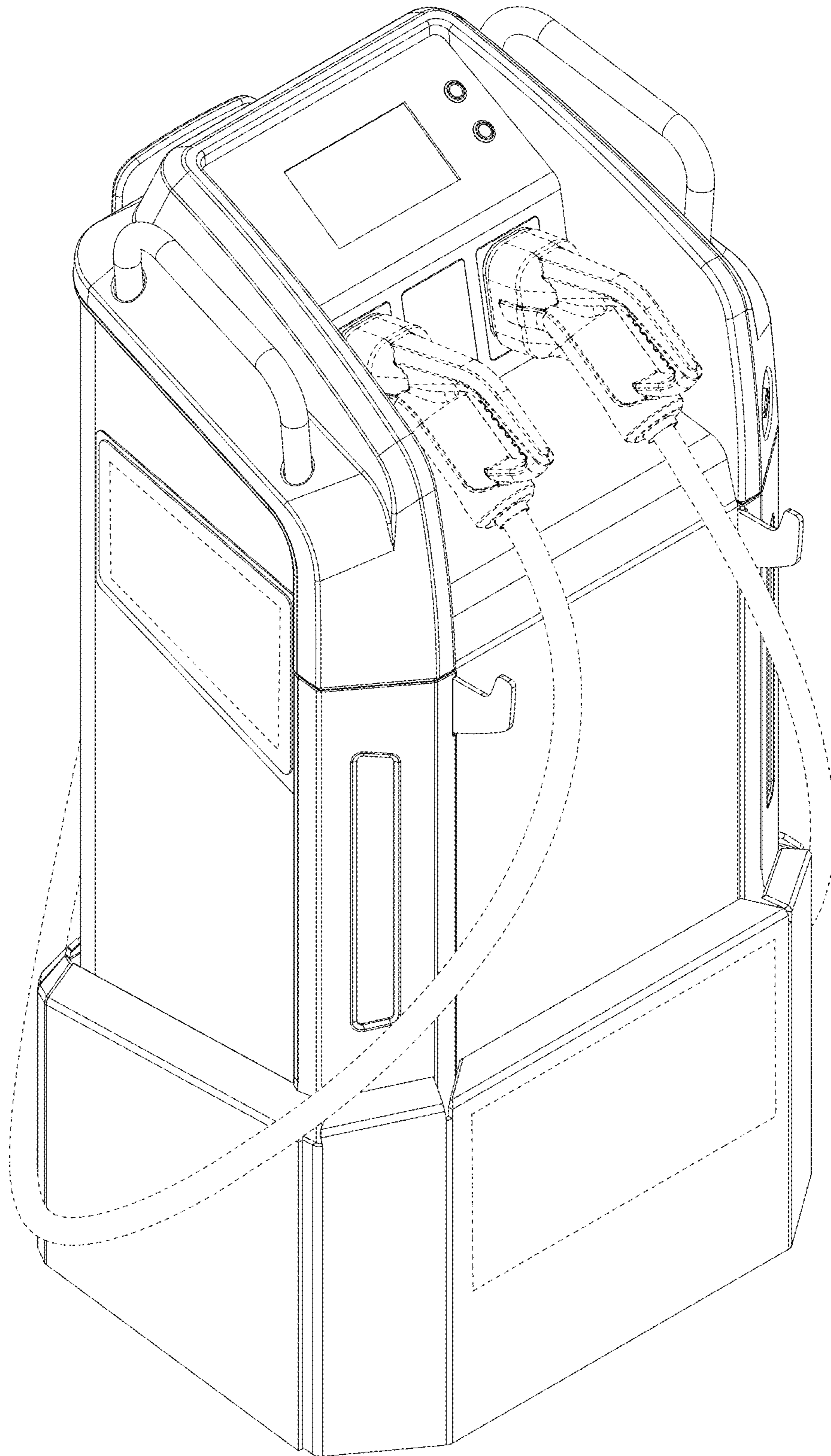


FIG. 6



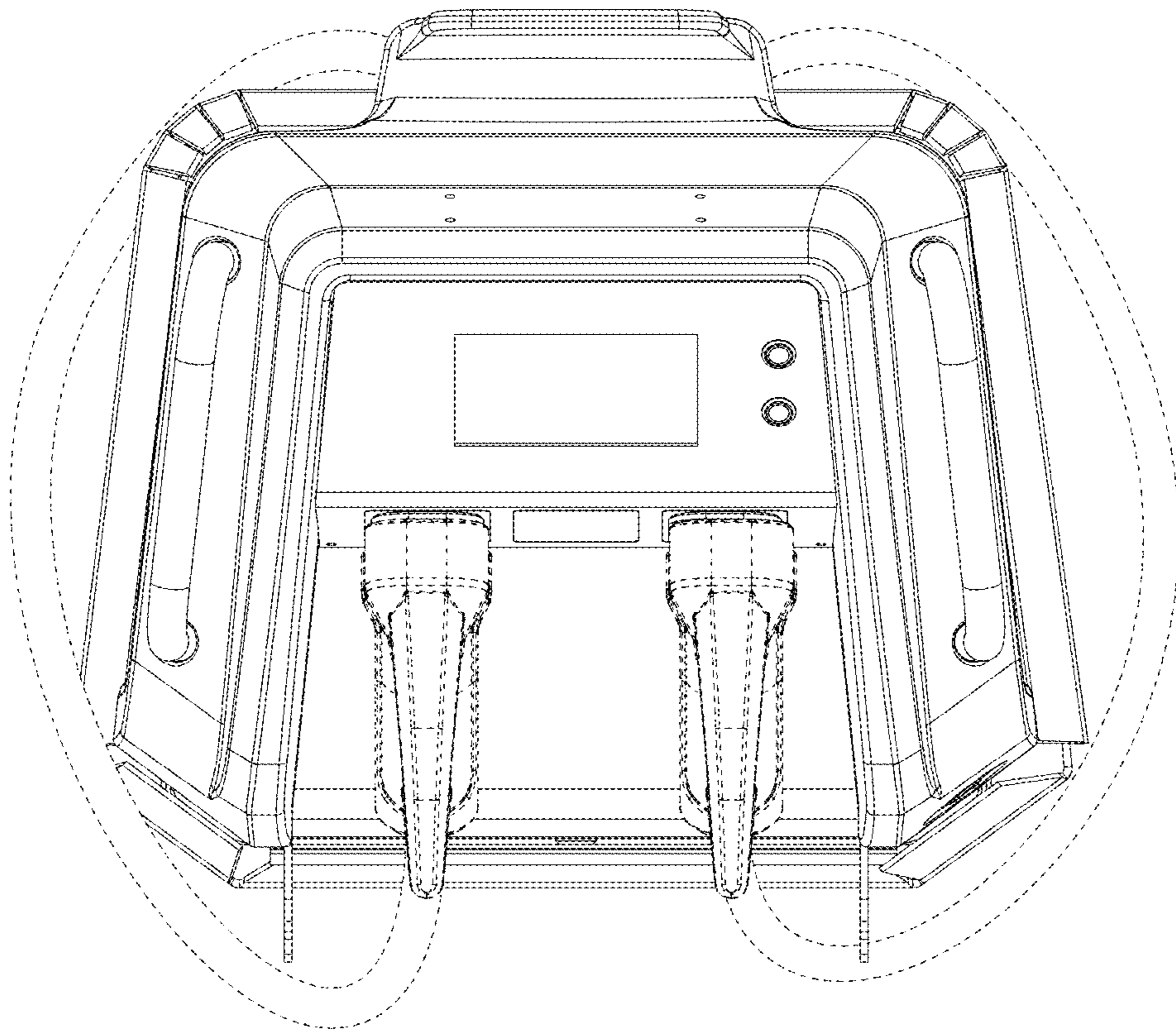


FIG. 7