



US00D938349S

(12) **United States Design Patent** (10) **Patent No.:** **US D938,349 S**
Minkyo (45) **Date of Patent:** **** Dec. 14, 2021**

(54) **CHARGING STATION FOR ELECTRIC VEHICLES**

(56) **References Cited**

(71) Applicant: **DAEYOUNG CHAEVI CO., LTD.**,
Daegu (KR)

(72) Inventor: **Jung Minkyoo**, Daegu (KR)

(73) Assignee: **DAEYOUNG CHAEVI CO., LTD.**,
Daegu (KR)

(**) Term: **15 Years**

(21) Appl. No.: **29/731,247**

(22) Filed: **Apr. 13, 2020**

U.S. PATENT DOCUMENTS

D659,090	S	*	5/2012	deRoo	D13/107
D674,334	S	*	1/2013	Cutter	D13/107
D674,335	S	*	1/2013	Yamashita	D13/107
D711,315	S	*	8/2014	Chin-Ho Kim	D13/107
D720,285	S	*	12/2014	Gilomen	D13/107
D729,157	S	*	5/2015	Gilomen	D13/107
D730,821	S	*	6/2015	Chin-Ho Kim	D13/107
D749,503	S	*	2/2016	Ferguson	D13/107
D778,818	S	*	2/2017	Bruining	D13/107
D833,387	S	*	11/2018	Baxter	D13/107
D838,668	S	*	1/2019	Westfall	D13/107
D842,239	S	*	3/2019	Bruining	D13/107
2012/0181984	A1	*	7/2012	Okabayashi	B60L 53/31 320/109

* cited by examiner

Primary Examiner — Nathaniel D. Buckner

(74) *Attorney, Agent, or Firm* — Lucas & Mercanti, LLP

Related U.S. Application Data

(63) Continuation of application No. 35/505,031, filed on Nov. 2, 2017 (U.S. filing date under 35 U.S.C. 384), and having an international filing date of Nov. 2, 2017, now abandoned.

(51) **LOC (13) Cl.** **13-02**

(52) **U.S. Cl.**
USPC **D13/107**

(58) **Field of Classification Search**
USPC D13/107–110, 118–119, 184; D14/251, D14/253, 432, 434
CPC Y02E 60/12; Y02T 90/14; Y02T 90/122; Y02T 90/128; Y02T 90/163; H02J 7/025; H02J 7/0042; H02J 7/0044; H02J 7/0045; H02J 7/0013; H02J 7/0003; H01F 38/14; H01R 13/6675; H01M 2/1022; H01M 2/1055; H01M 10/44; H01M 10/46; H01M 10/425; B60L 11/182

See application file for complete search history.

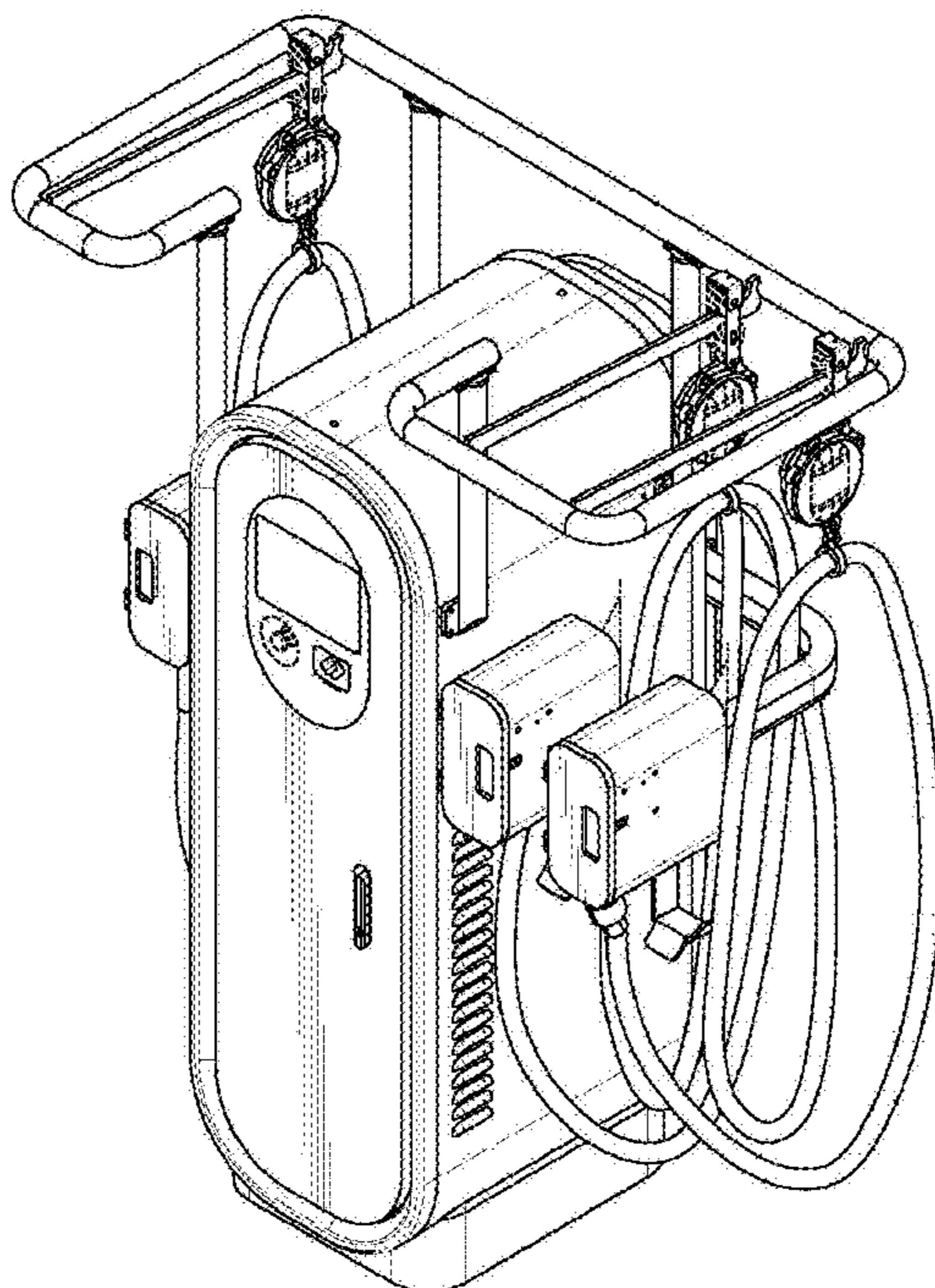
(57) **CLAIM**

The ornamental design for a charging station for electric vehicles, as shown and described.

DESCRIPTION

FIG. 1 is a perspective view of our new design for a charging station for electric vehicles;
FIG. 2 is a front view thereof;
FIG. 3 is a rear view thereof;
FIG. 4 is a top view thereof;
FIG. 5 is a bottom view thereof;
FIG. 6 is a left view thereof; and,
FIG. 7 is a right view thereof.

1 Claim, 7 Drawing Sheets



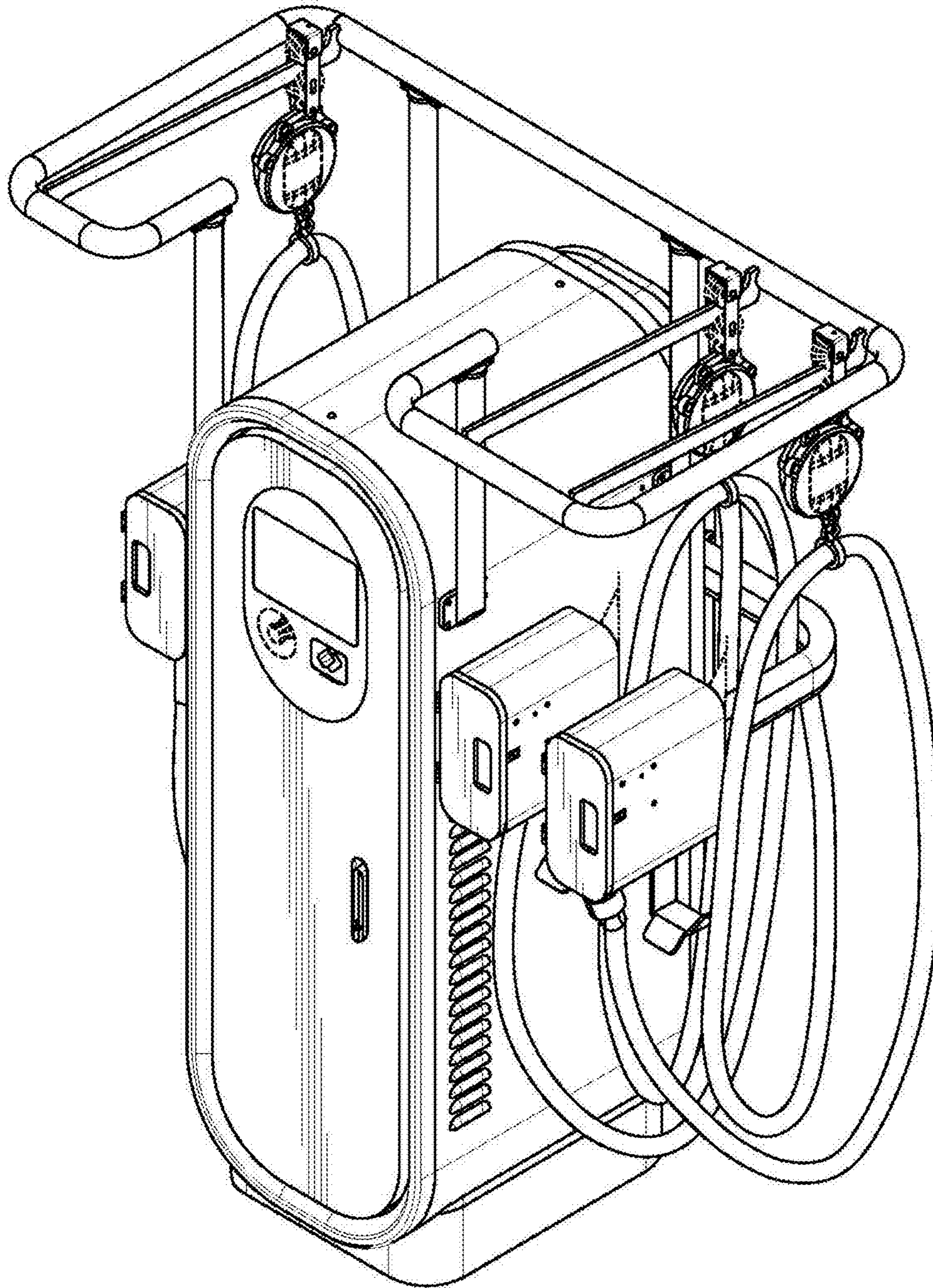


FIG. 1

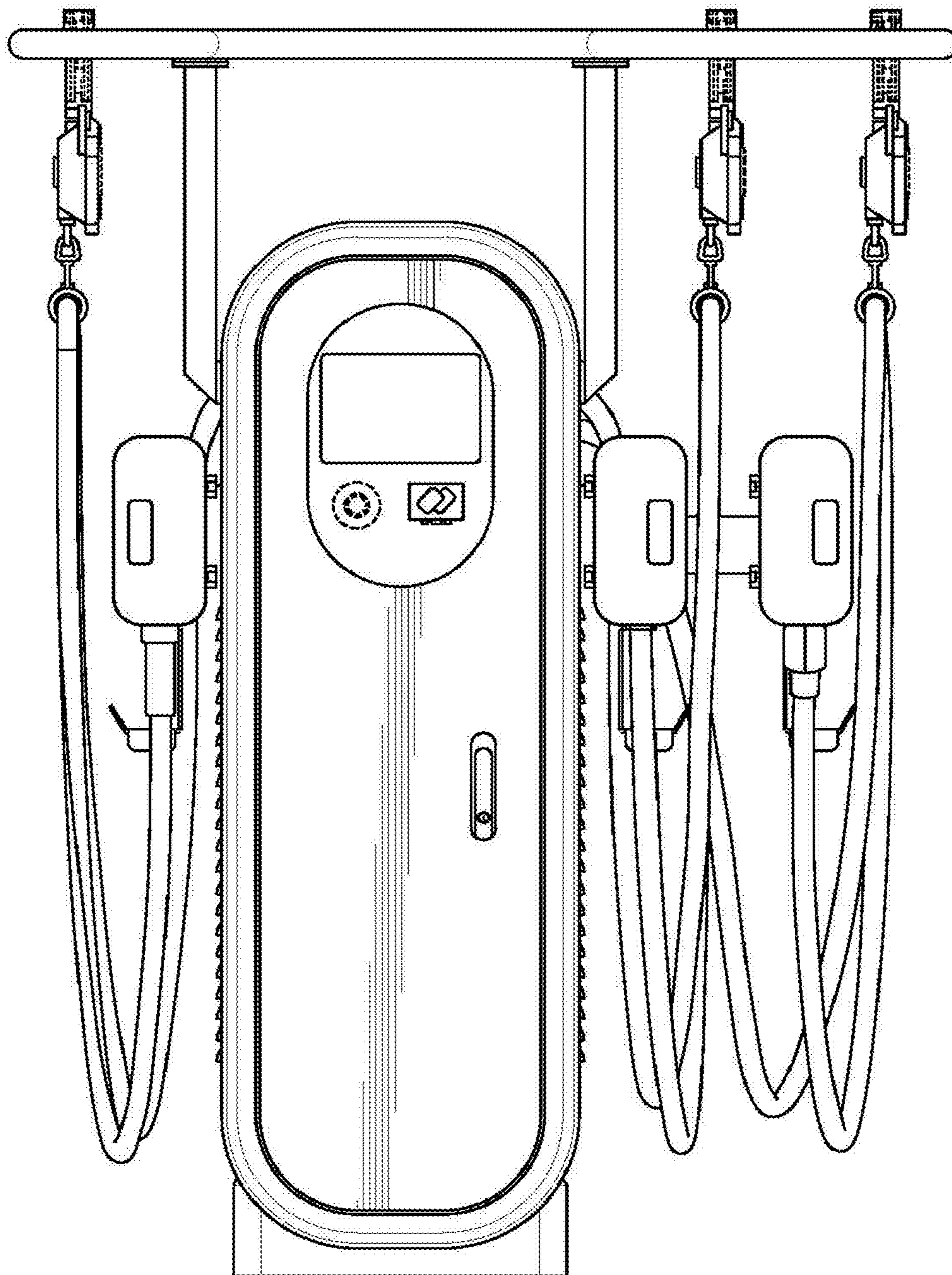


FIG. 2

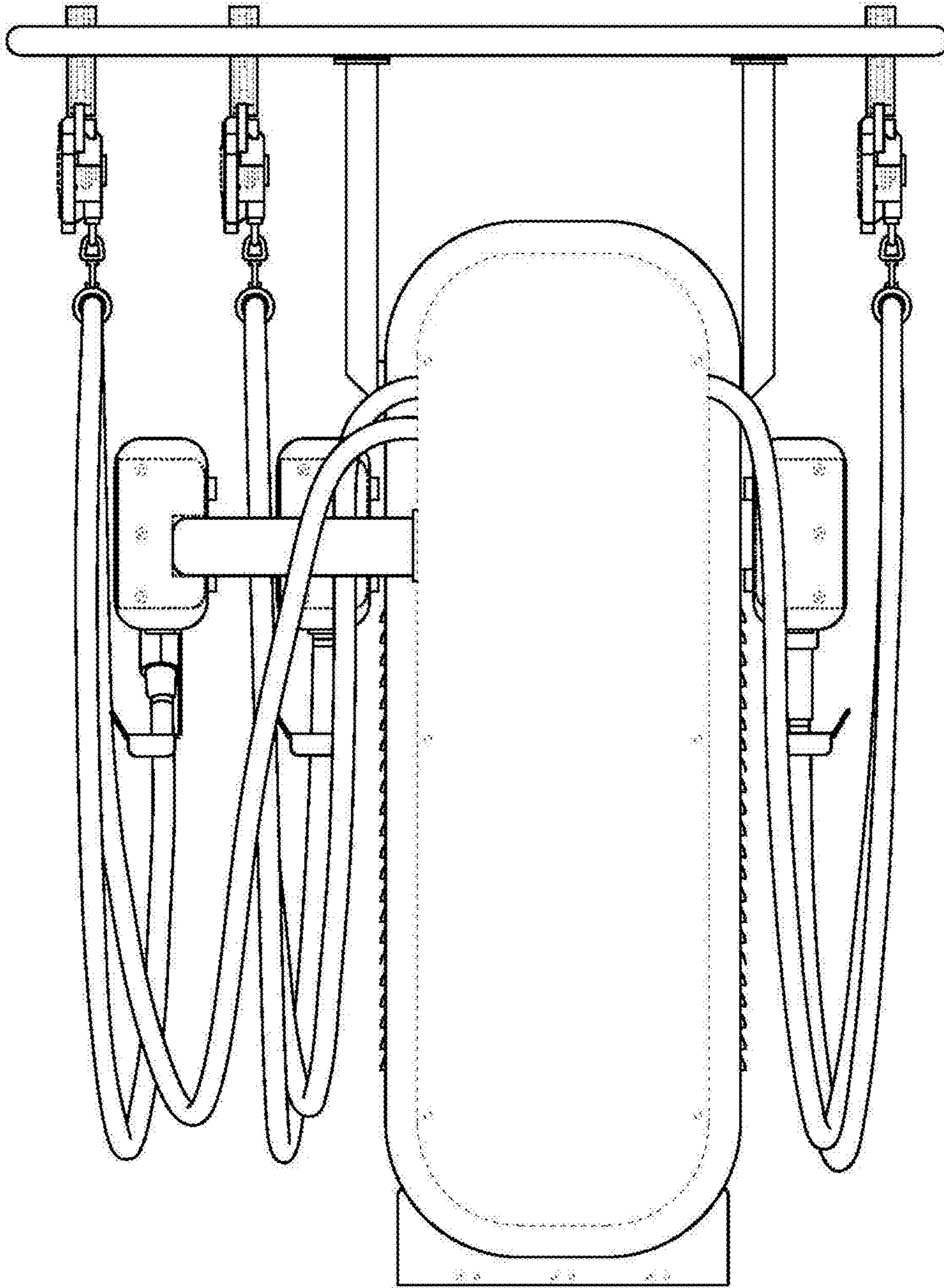


FIG. 3

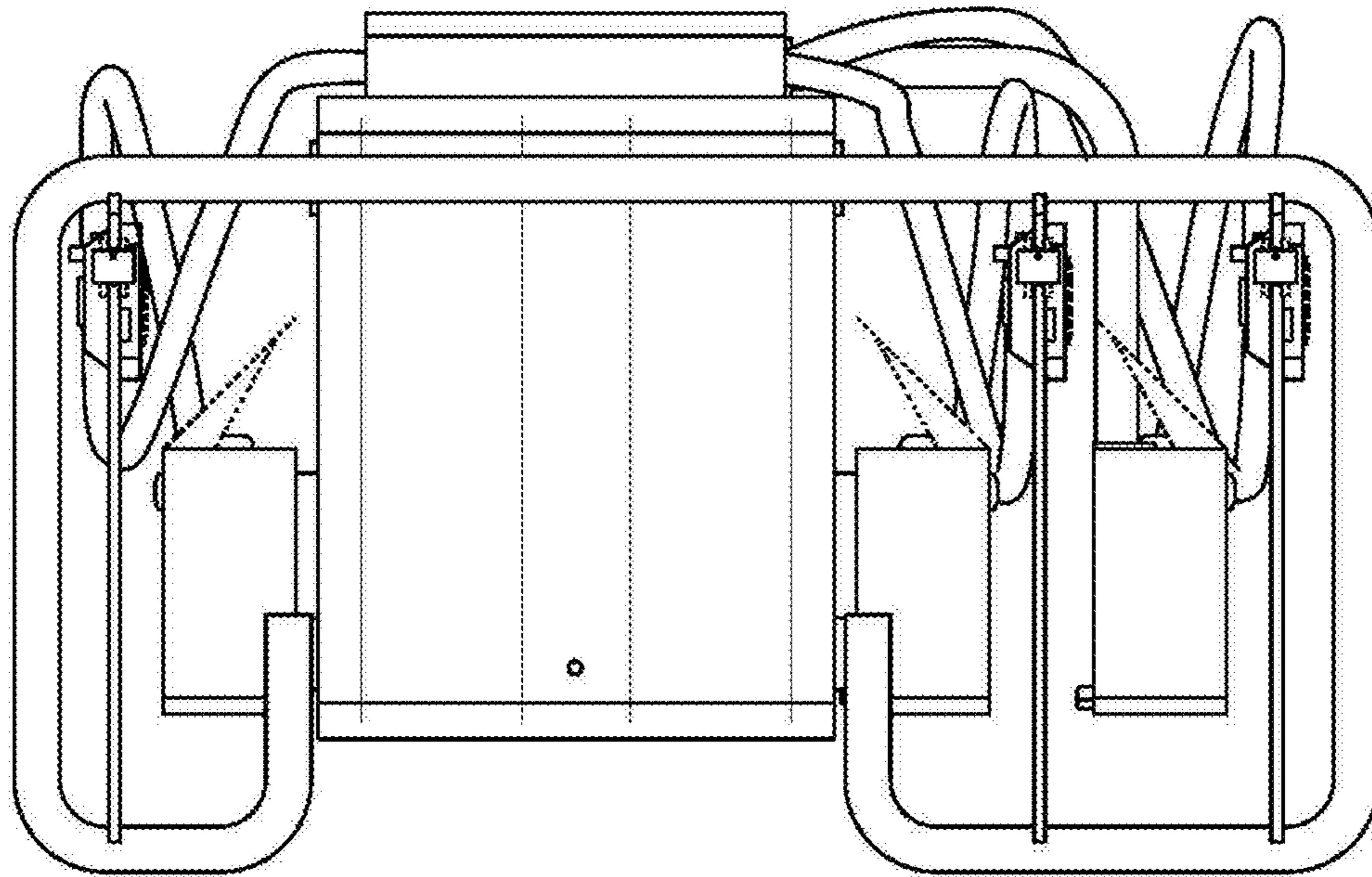


FIG. 4

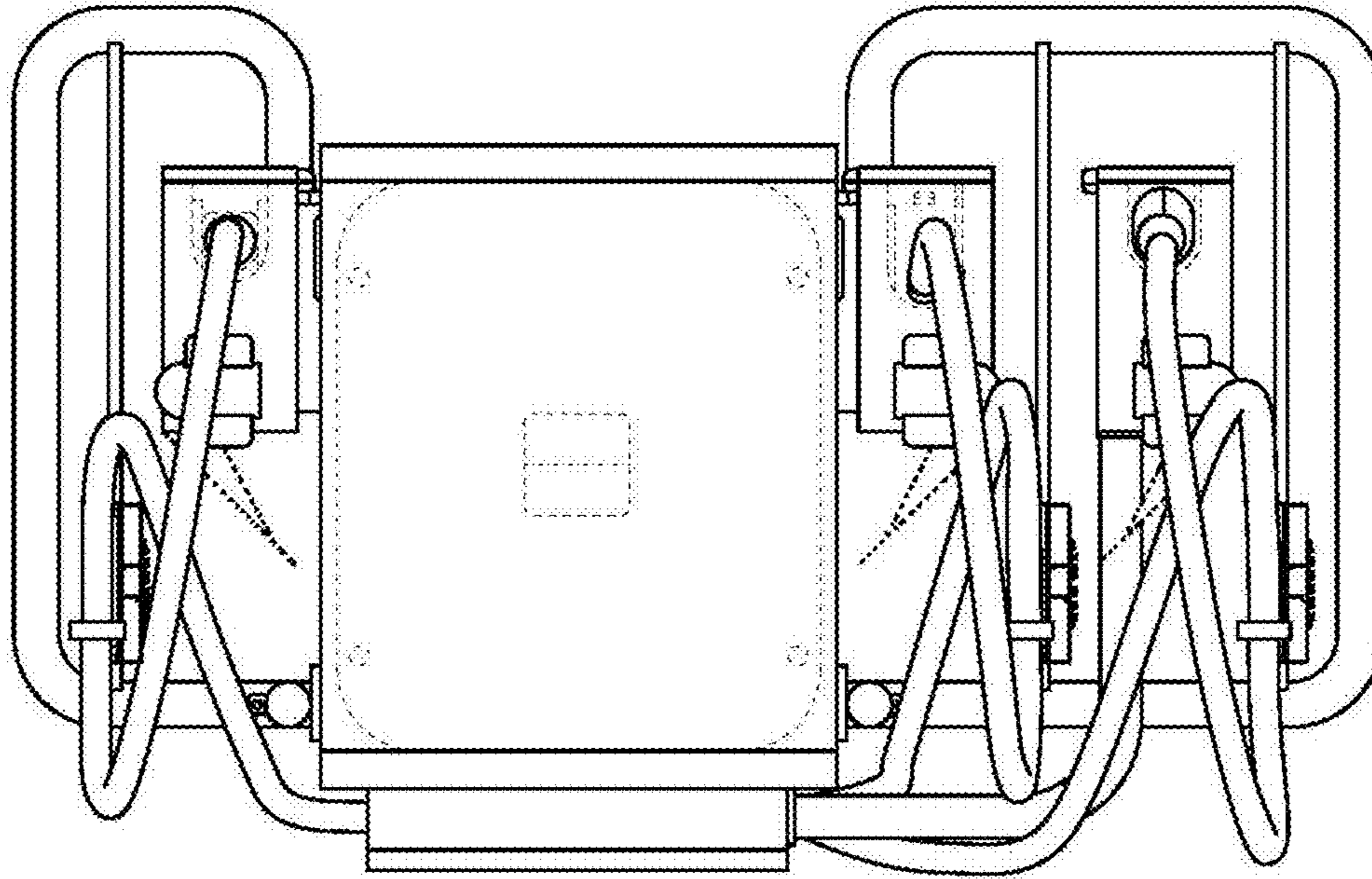


FIG. 5

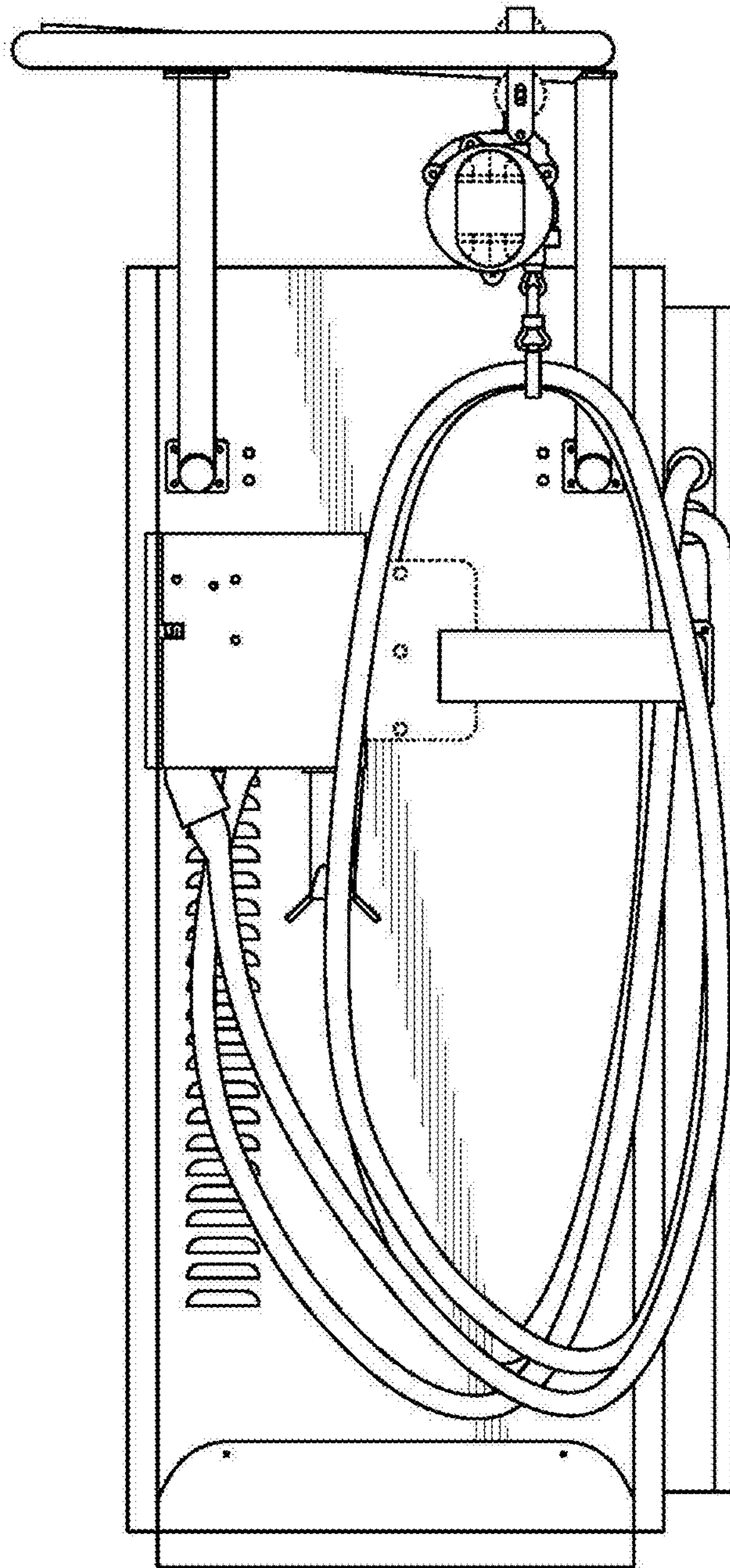


FIG. 6

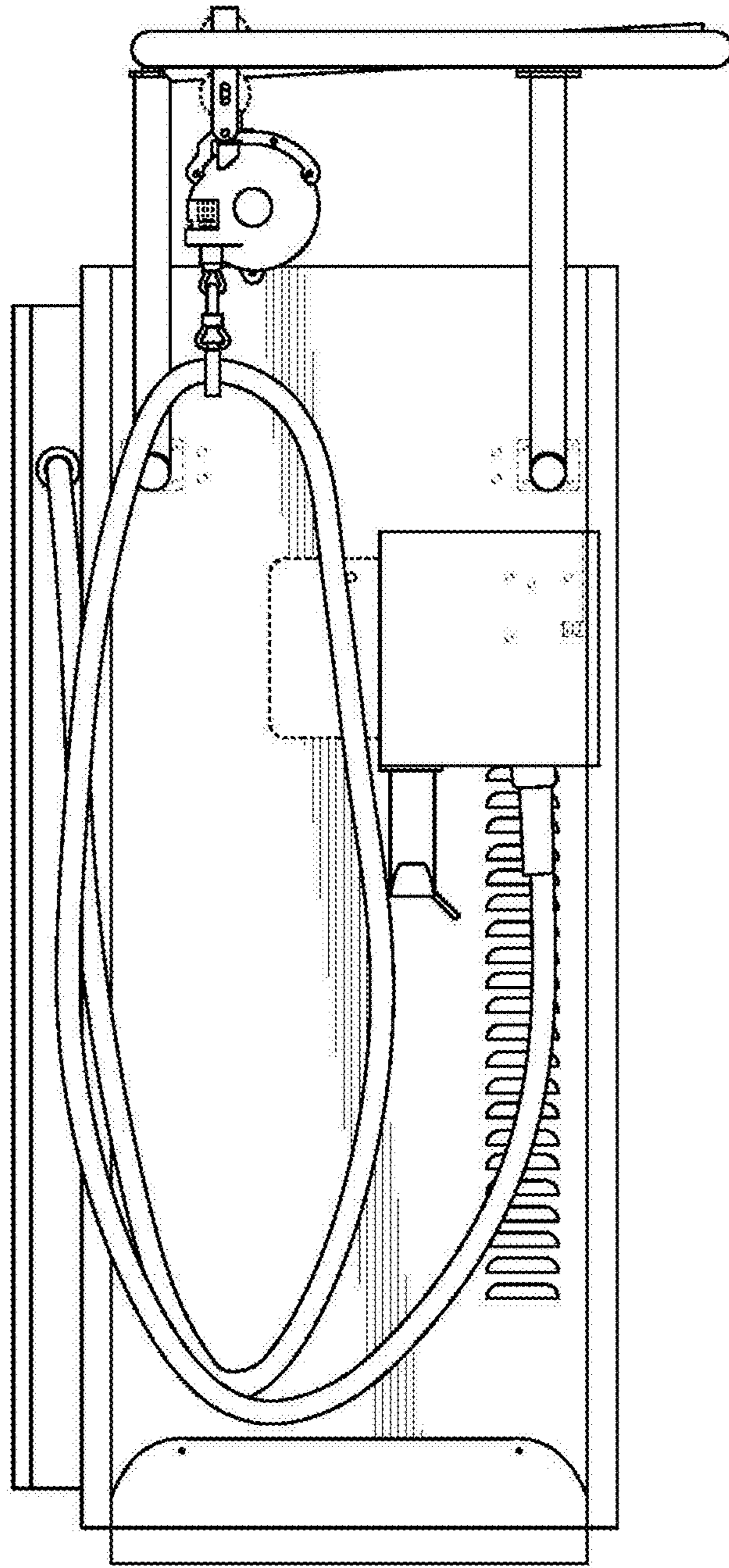


FIG. 7