



US00D938344S

(12) **United States Design Patent**
Zhou et al.

(10) **Patent No.:** **US D938,344 S**

(45) **Date of Patent:** **** Dec. 14, 2021**

- (54) **CAR SEAT GAP FILLING STRIP**
- (71) Applicants: **Guoping Zhou**, hangzhou zhejiang (CN); **Hanwen Wang**, hangzhou zhejiang (CN)
- (72) Inventors: **Guoping Zhou**, hangzhou zhejiang (CN); **Hanwen Wang**, hangzhou zhejiang (CN)
- (**) Term: **15 Years**
- (21) Appl. No.: **29/719,651**
- (22) Filed: **Jan. 7, 2020**
- (51) **LOC (13) Cl.** **12-16**
- (52) **U.S. Cl.**
USPC **D12/422**
- (58) **Field of Classification Search**
CPC B60N 2/44; B60J 9/00; B60R 11/00
See application file for complete search history.

D874,827 S *	2/2020	Li	D3/313
D931,188 S *	9/2021	Yang	D12/416
2009/0224563 A1 *	9/2009	Gregory	B60R 11/00
				296/1.07
2011/0266820 A1 *	11/2011	Hurwitz	B60N 2/6009
				296/1.07
2013/0093233 A1 *	4/2013	Kajihara	B60N 2/58
				297/452.38
2013/0334845 A1 *	12/2013	Fung	B60N 2/6009
				297/182

* cited by examiner

Primary Examiner — Katrina A Betton

(57) **CLAIM**

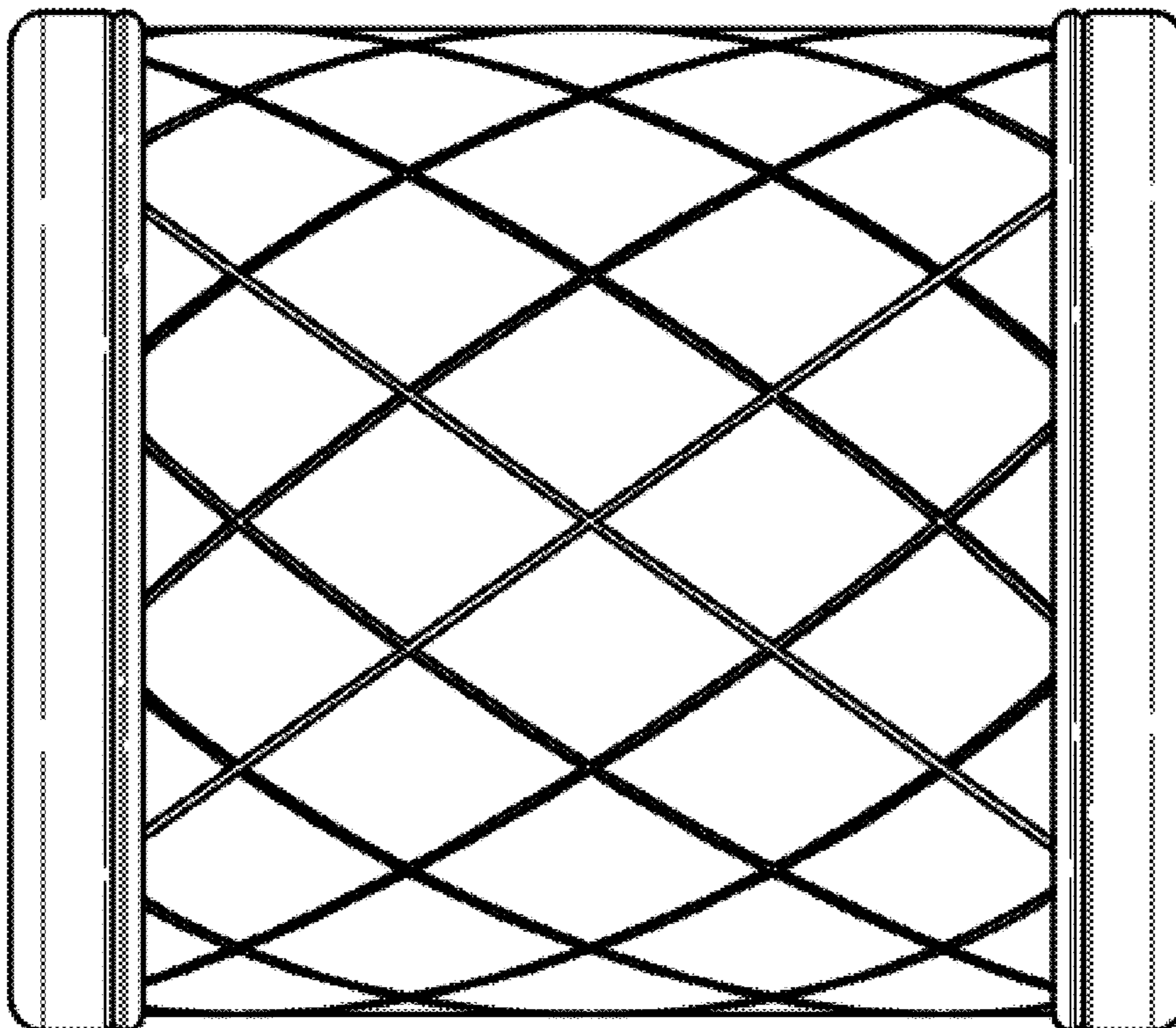
The ornamental design for a car seat gap filling strip, as shown and described.

DESCRIPTION

FIG. 1 is a left side and bottom perspective view of a car seat gap filling strip, showing our new design;
 FIG. 2 is a right side and top perspective view thereof;
 FIG. 3 is a front elevational view thereof;
 FIG. 4 is a rear elevational view thereof;
 FIG. 5 is a left side elevational view thereof;
 FIG. 6 is a right side elevational view thereof;
 FIG. 7 is a top plan view thereof;
 FIG. 8 is a bottom plan view thereof; and,
 FIG. 9 is an enlarged view of a portion indicated in FIG. 1.
 The dash dot dash lines in FIGS. 1 and 9 are for the purpose of depicting the cut line of the enlarged view and form no part of the claim.

1 Claim, 9 Drawing Sheets

- (56) **References Cited**
U.S. PATENT DOCUMENTS
- 8,056,970 B1 * 11/2011 Phillips B60N 2/6009
297/182
- 8,282,161 B1 * 10/2012 Jacobson B60N 3/08
297/188.2
- D699,174 S * 2/2014 Hill D12/400
- D701,162 S * 3/2014 Kosciusko D12/400
- D726,096 S * 4/2015 Schmalz D12/415
- D734,241 S * 7/2015 Schiff D12/400
- D741,248 S * 10/2015 Boss D12/422



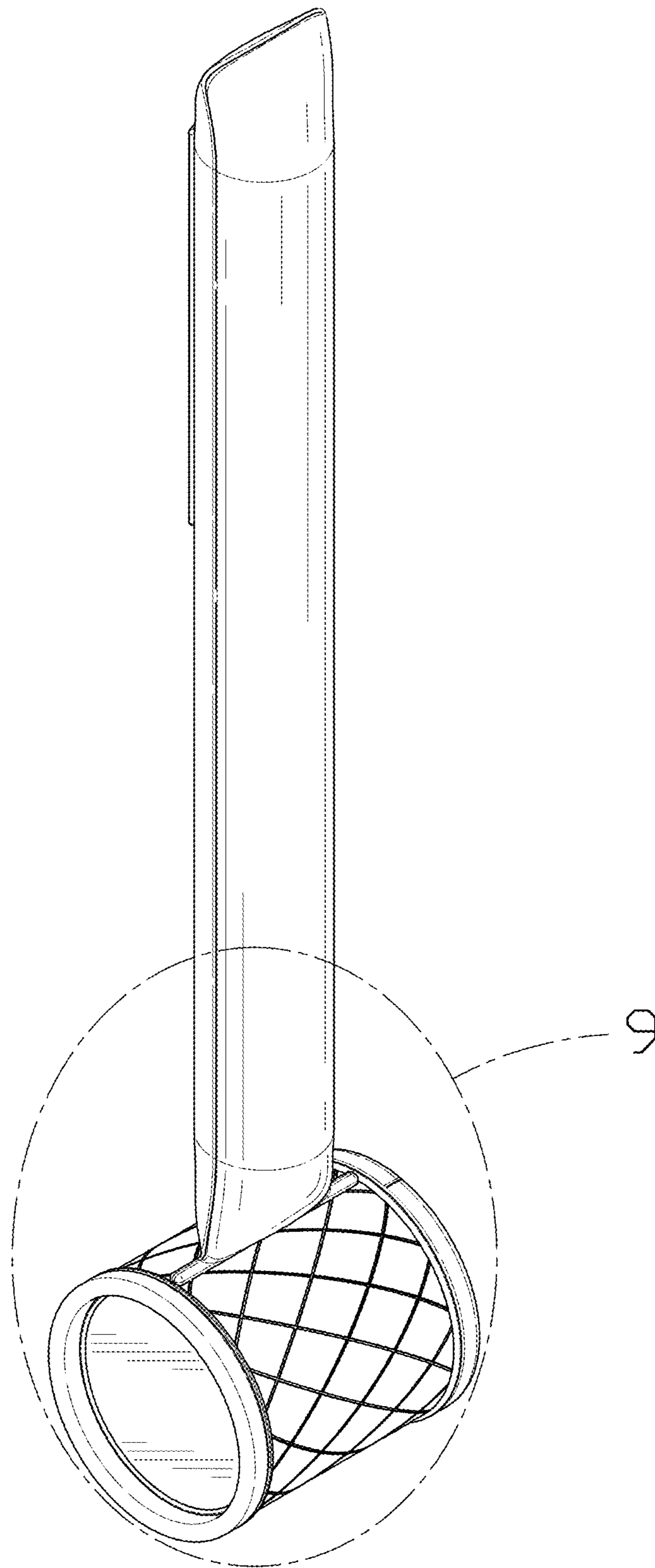


FIG. 1

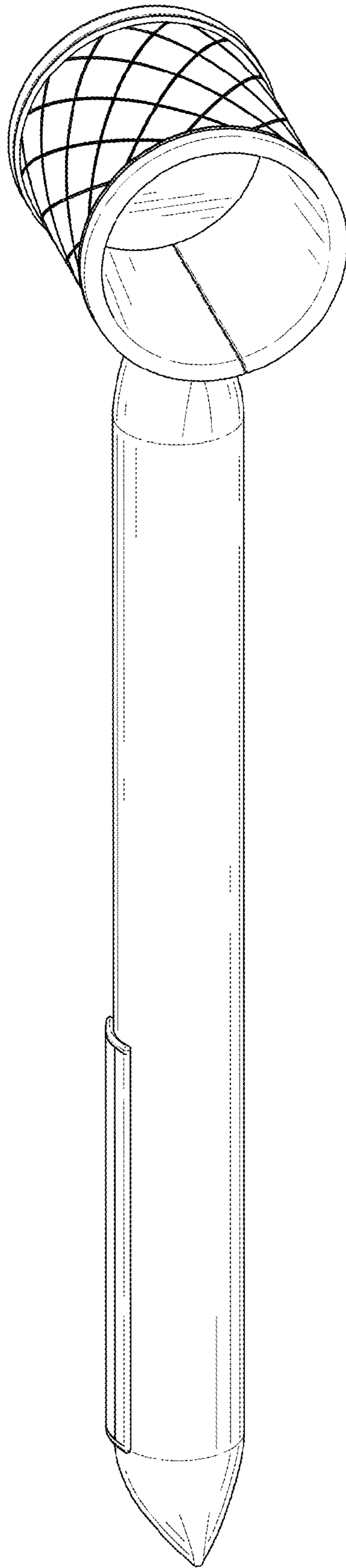


FIG. 2

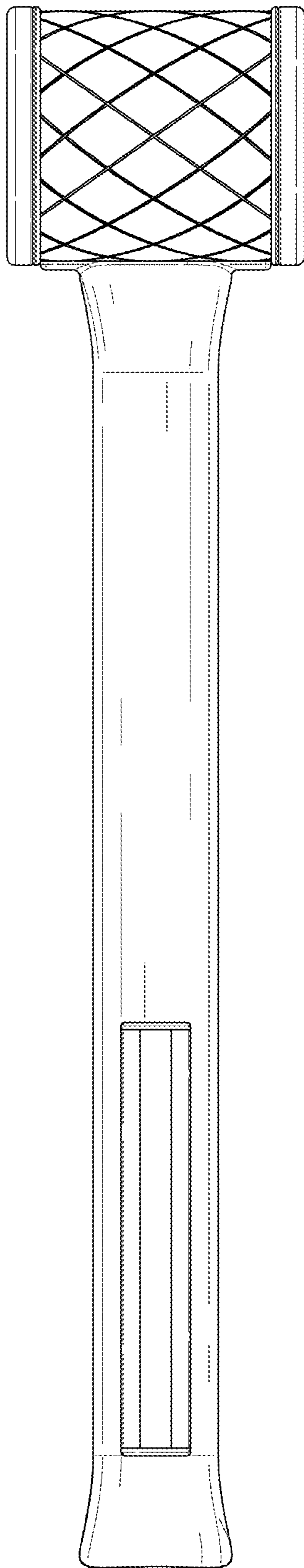


FIG. 3

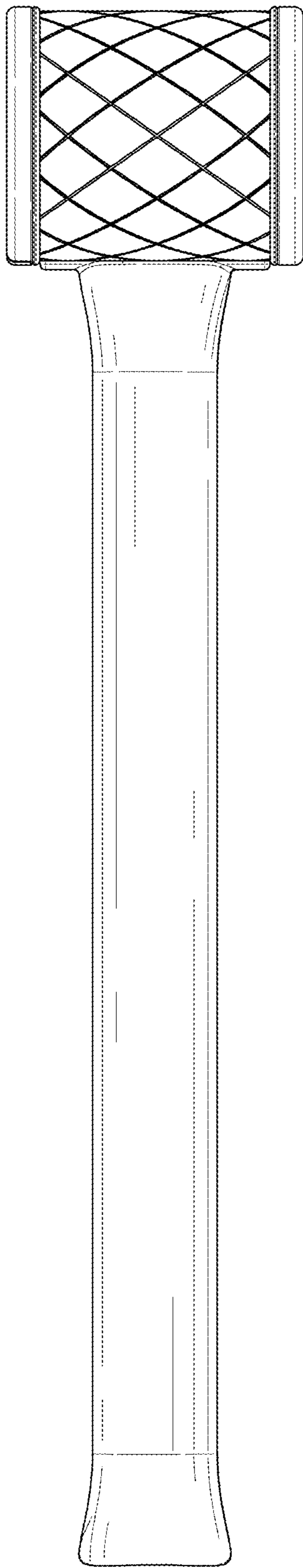


FIG. 4

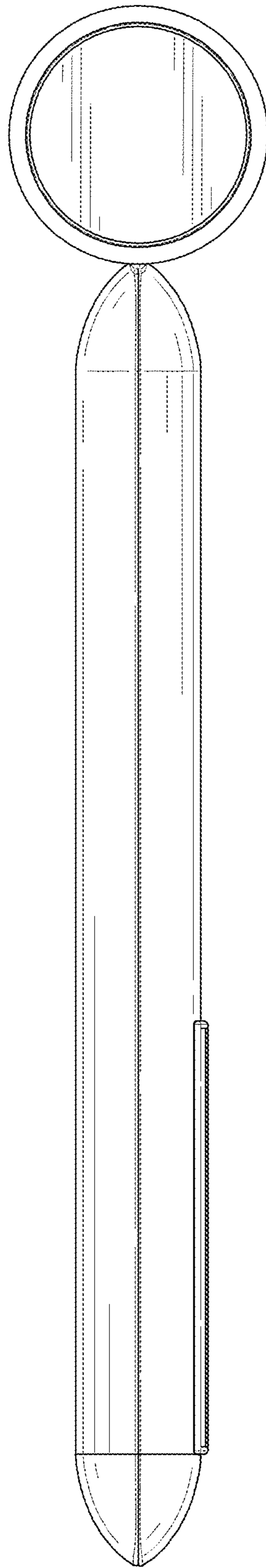


FIG. 5

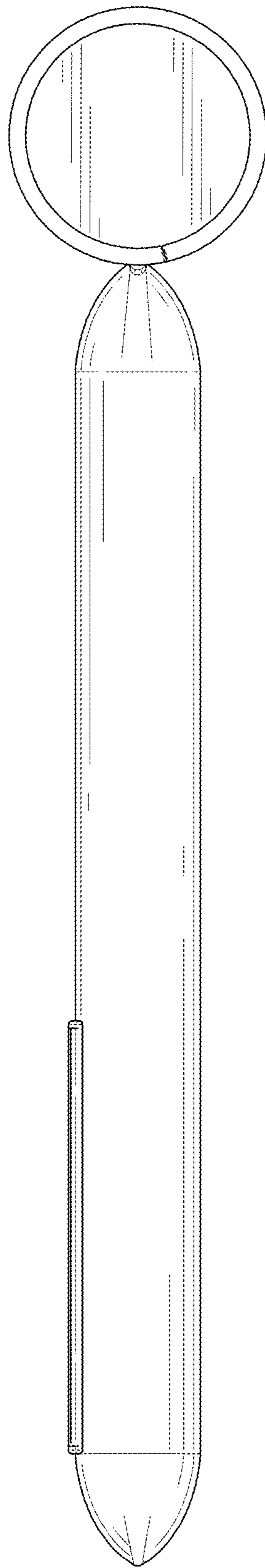


FIG. 6

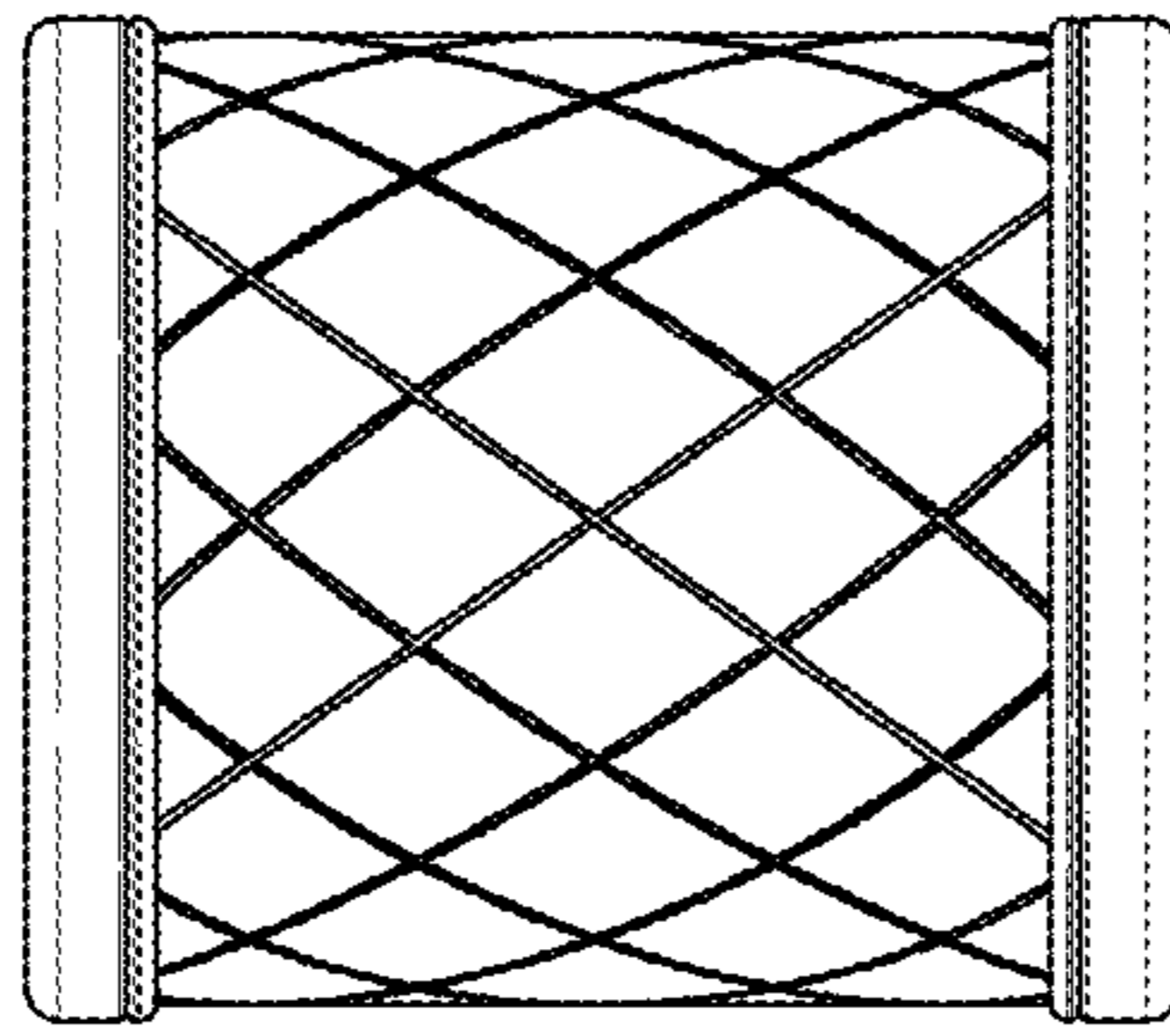


FIG. 7

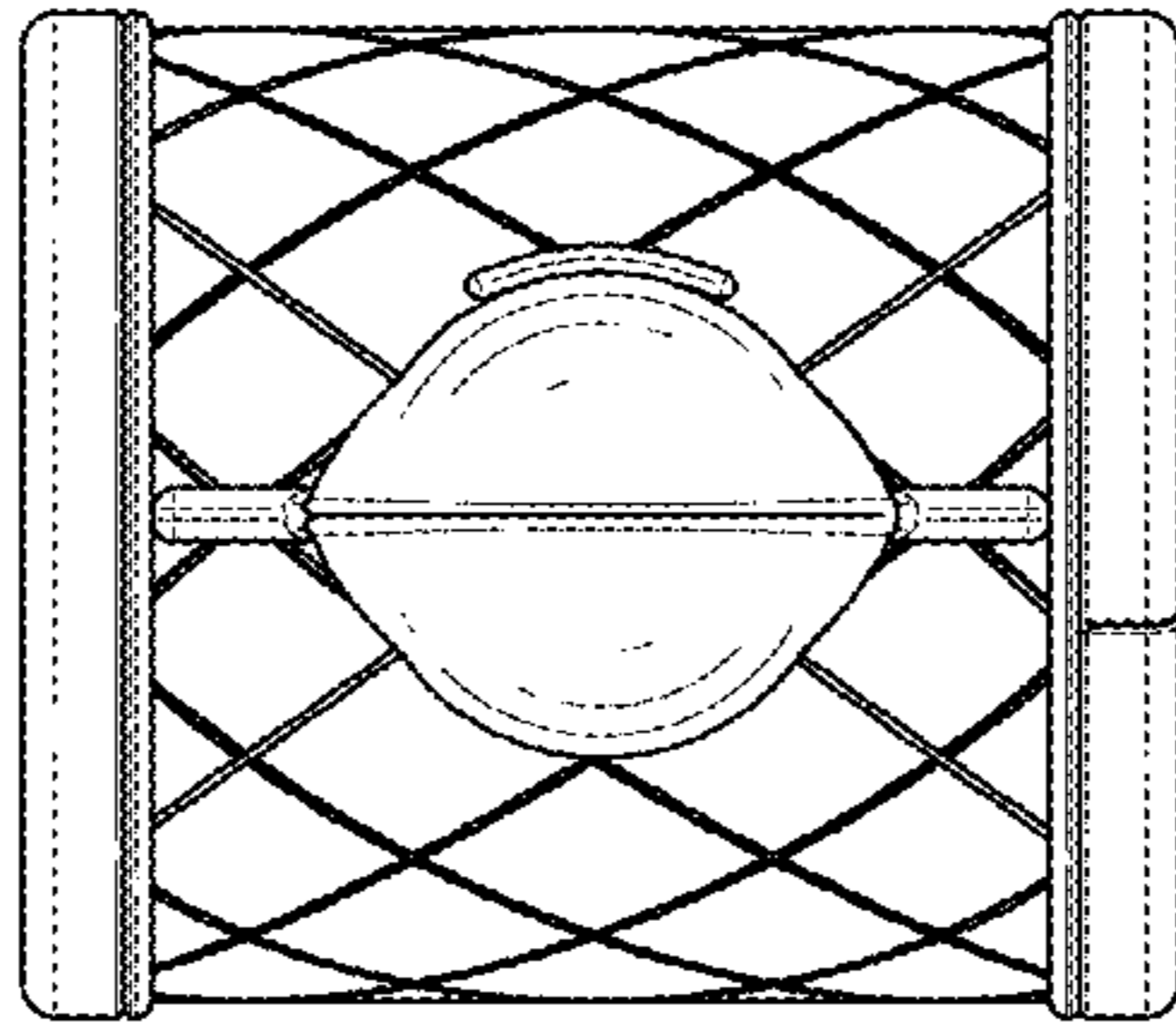


FIG. 8

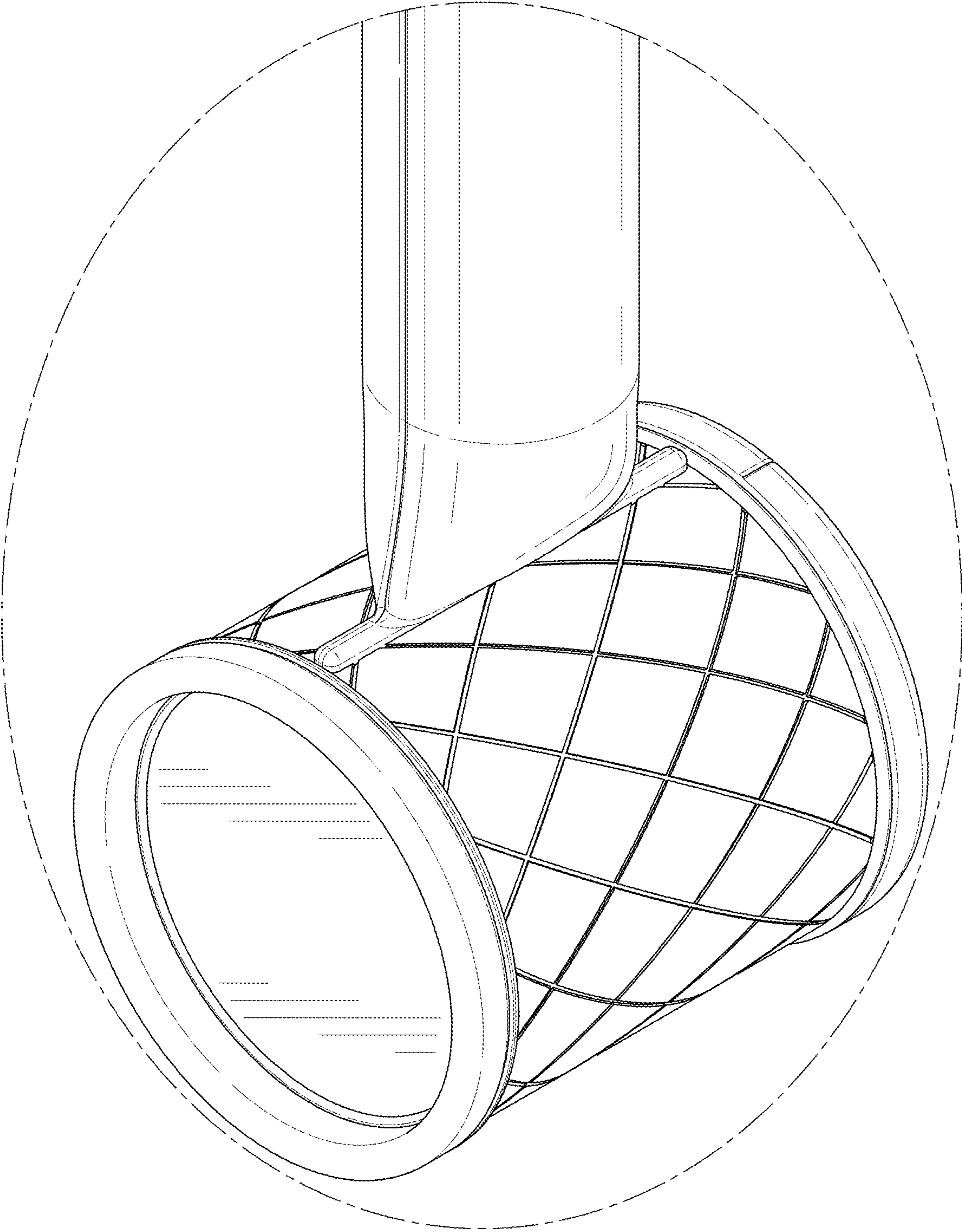


FIG. 9