



US00D938343S

(12) **United States Design Patent**
Oliveira Andersson et al.

(10) **Patent No.:** **US D938,343 S**

(45) **Date of Patent:** **** Dec. 14, 2021**

- (54) **CONTROL ARMREST FOR LIFT TRUCK**
- (71) Applicant: **TOYOTA MATERIAL HANDLING MANUFACTURING ITALY S.P.A.**,
Bologna (IT)
- (72) Inventors: **Magnus Oliveira Andersson**,
Linköping (SE); **Simone Fremondi**,
Bologna (IT)
- (73) Assignee: **TOYOTA MATERIAL HANDLING MANUFACTURING ITALY S.P.A.**,
Bologna (IT)

D742,300 S *	11/2015	Fontaeus	D12/415
D757,634 S *	5/2016	Uusitalo	D12/421
D840,917 S *	2/2019	Brooks	D12/421
10,434,914 B2 *	10/2019	Bittner	B60N 2/79
D871,311 S *	12/2019	TenBrink	D12/415
D922,279 S *	6/2021	Rekow	D12/174

* cited by examiner

Primary Examiner — Mark A Goodwin

(74) *Attorney, Agent, or Firm* — Shuttleworth & Ingersoll, PLC; Timothy J. Klima

- (**) Term: **15 Years**
- (21) Appl. No.: **29/745,383**
- (22) Filed: **Aug. 5, 2020**

(57) **CLAIM**

The ornamental design for a control armrest for lift truck, as shown and described.

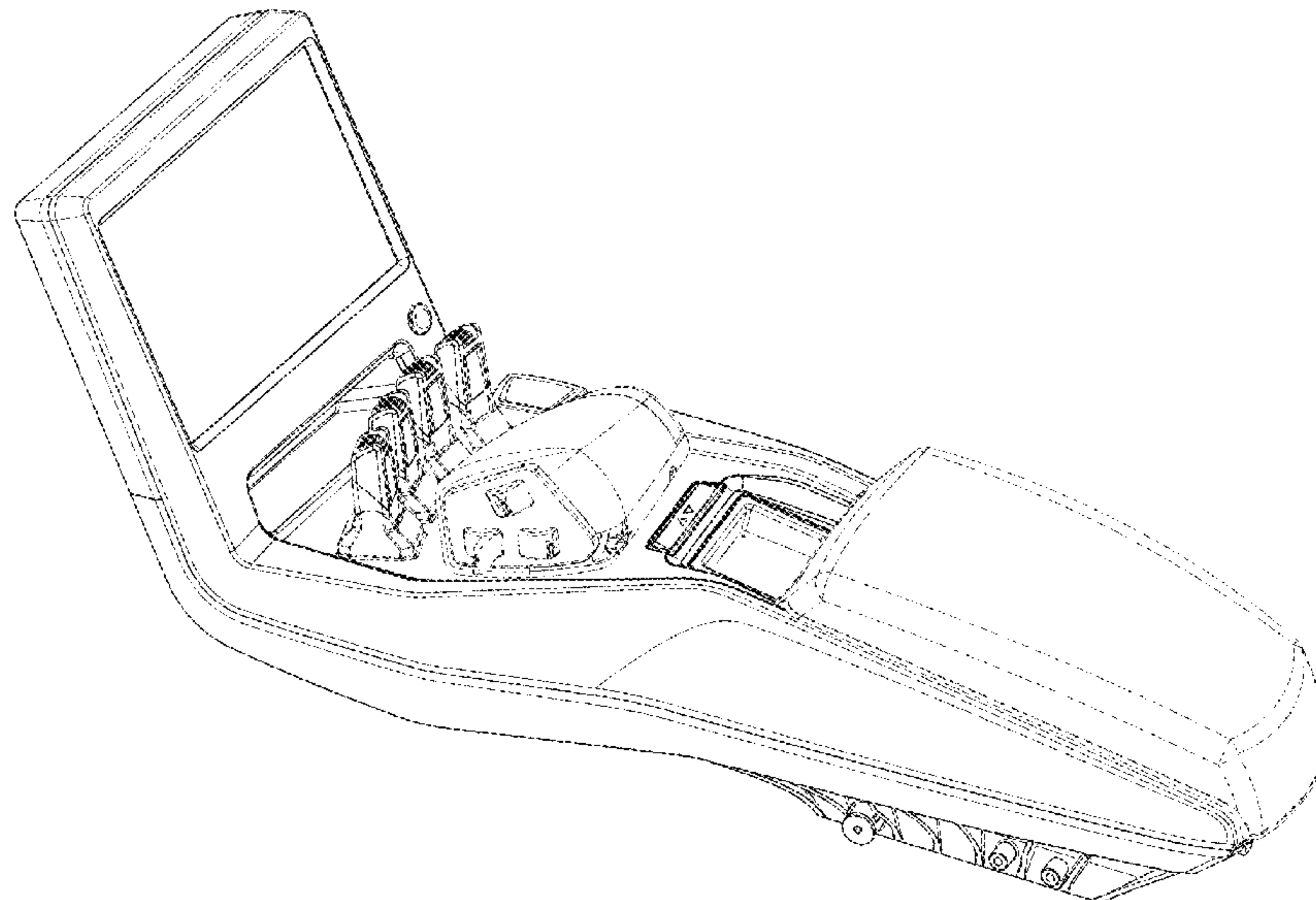
- (30) **Foreign Application Priority Data**
Jun. 23, 2020 (EM) EM008018717
- (51) **LOC (13) Cl.** **12-16**
- (52) **U.S. Cl.**
USPC **D12/421; D15/28**
- (58) **Field of Classification Search**
USPC D12/421, 192, 415, 422–424; D15/17,
D15/28
CPC B60N 2/46
See application file for complete search history.

DESCRIPTION

FIG. 1 is a left side perspective view of a first embodiment of a control armrest for lift truck;
 FIG. 2 is a top view thereof;
 FIG. 3 is a bottom view thereof,
 FIG. 4 is a left side view thereof,
 FIG. 5 is a right side view thereof,
 FIG. 6 is a front view thereof,
 FIG. 7 is a rear view thereof,
 FIG. 8 is a right side perspective view thereof.
 FIG. 9 is a left side perspective view of a second embodiment of a control armrest for lift truck;
 FIG. 10 is a top view thereof;
 FIG. 11 is a bottom view thereof,
 FIG. 12 is a left side view thereof,
 FIG. 13 is a right side view thereof,
 FIG. 14 is a front view thereof,
 FIG. 15 is a rear view thereof; and,
 FIG. 16 is a right side perspective view thereof.
 Any broken lines in the figures illustrate portions of the control armrest that form no part of the claimed design.

- (56) **References Cited**
U.S. PATENT DOCUMENTS
D559,593 S * 1/2008 Fullenkamp D6/716.2
D581,861 S * 12/2008 Anttila D12/421
D581,862 S * 12/2008 Anttila D12/421
7,458,439 B2 * 12/2008 Catton B60N 2/767
180/334
8,091,678 B2 * 1/2012 Rowan B60N 2/753
180/320

1 Claim, 16 Drawing Sheets



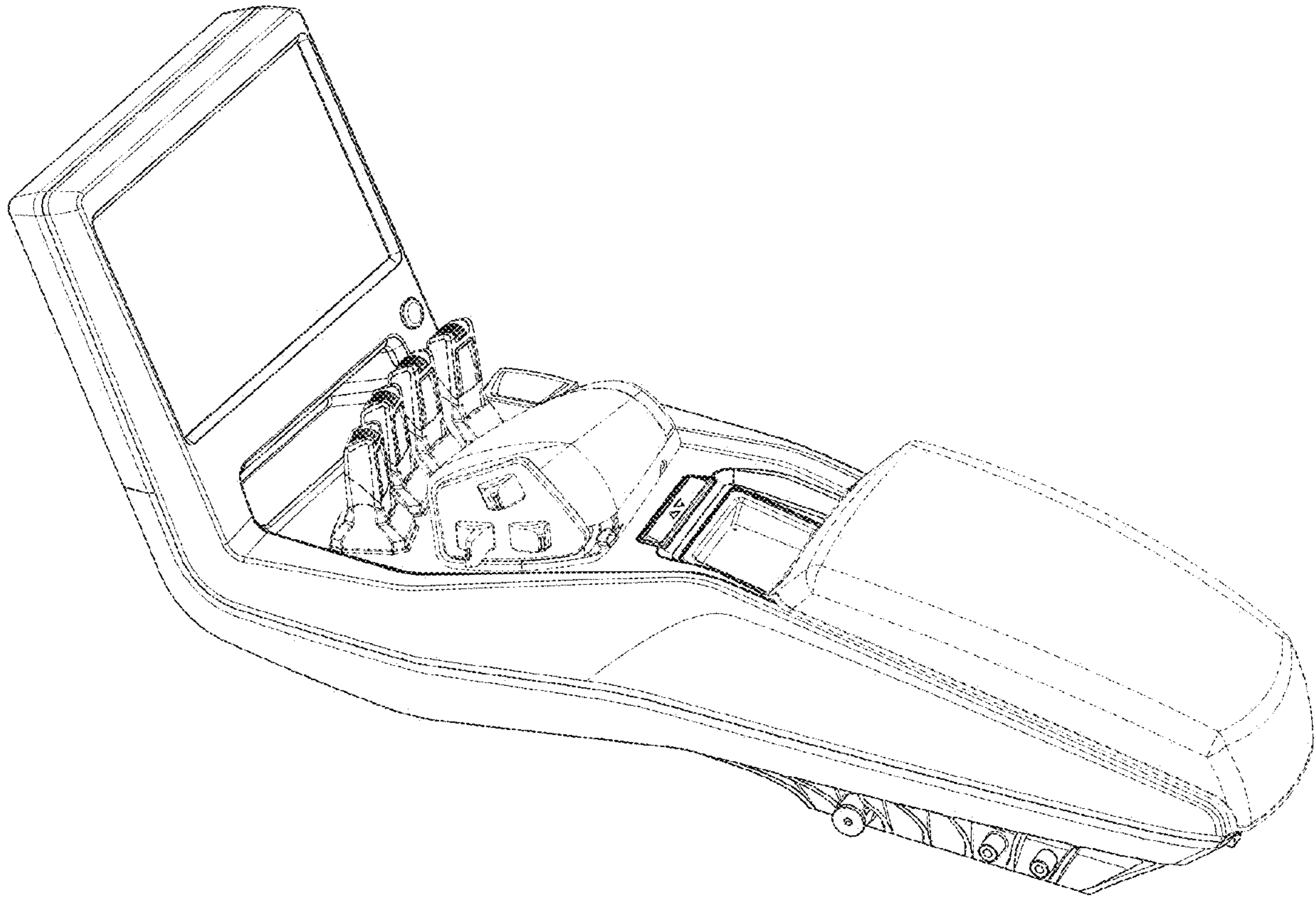


Fig. 1

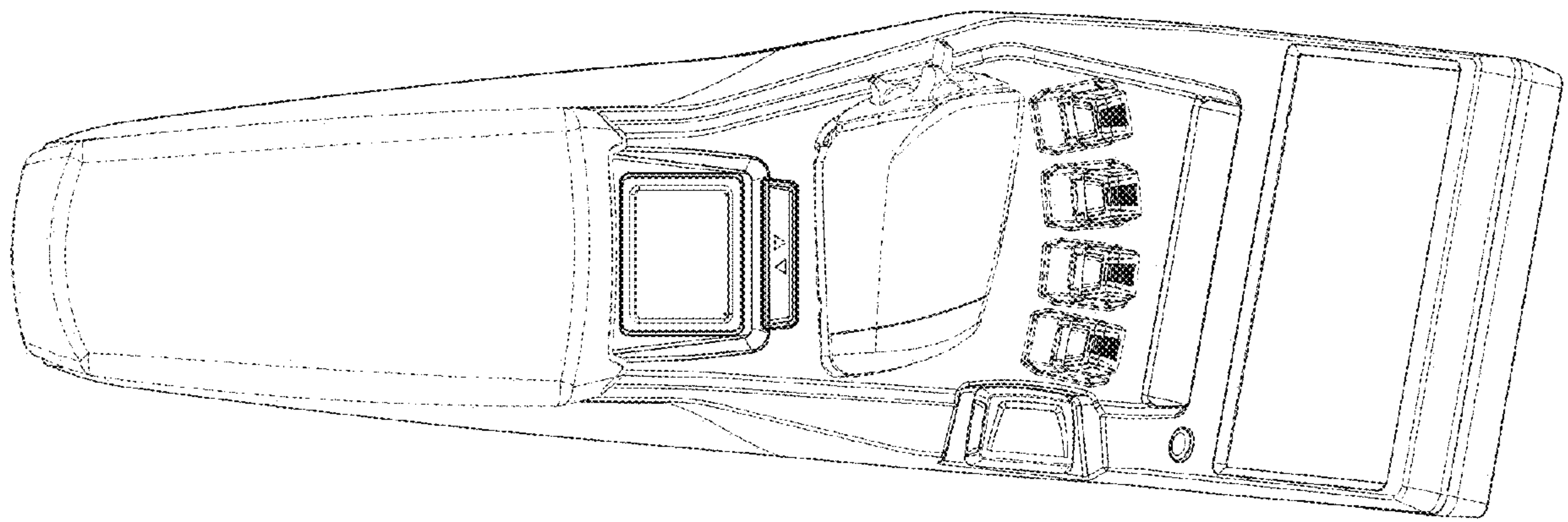


Fig. 2

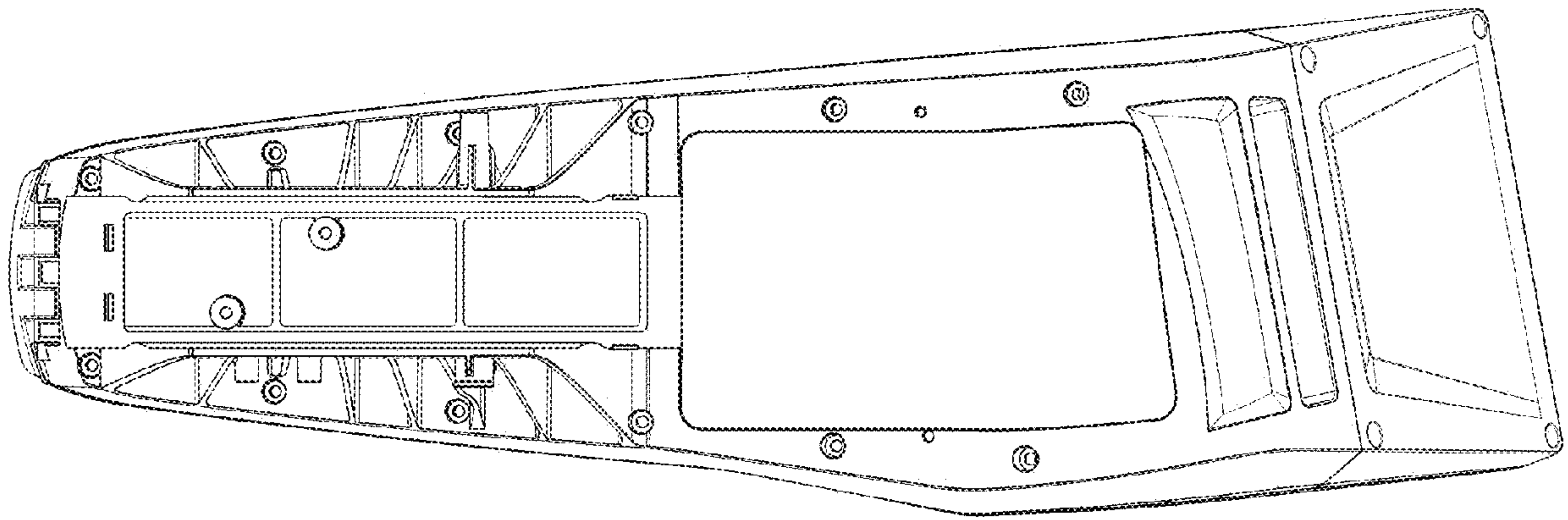


Fig. 3

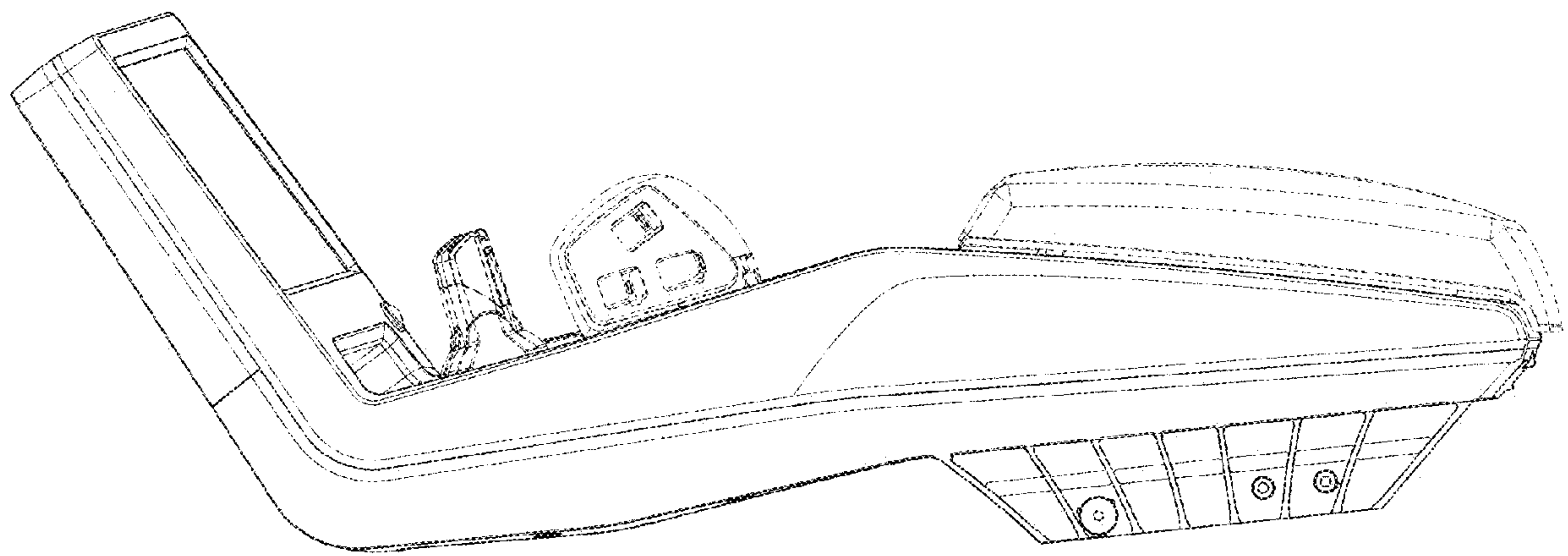


Fig. 4

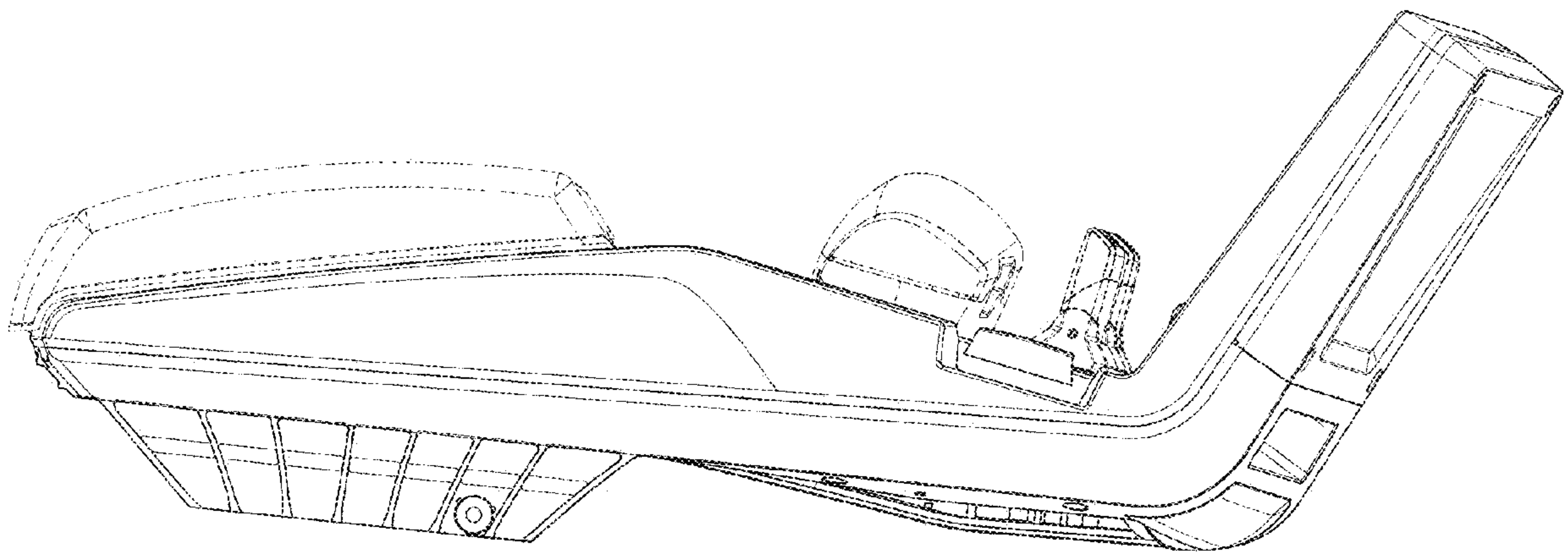


Fig. 5

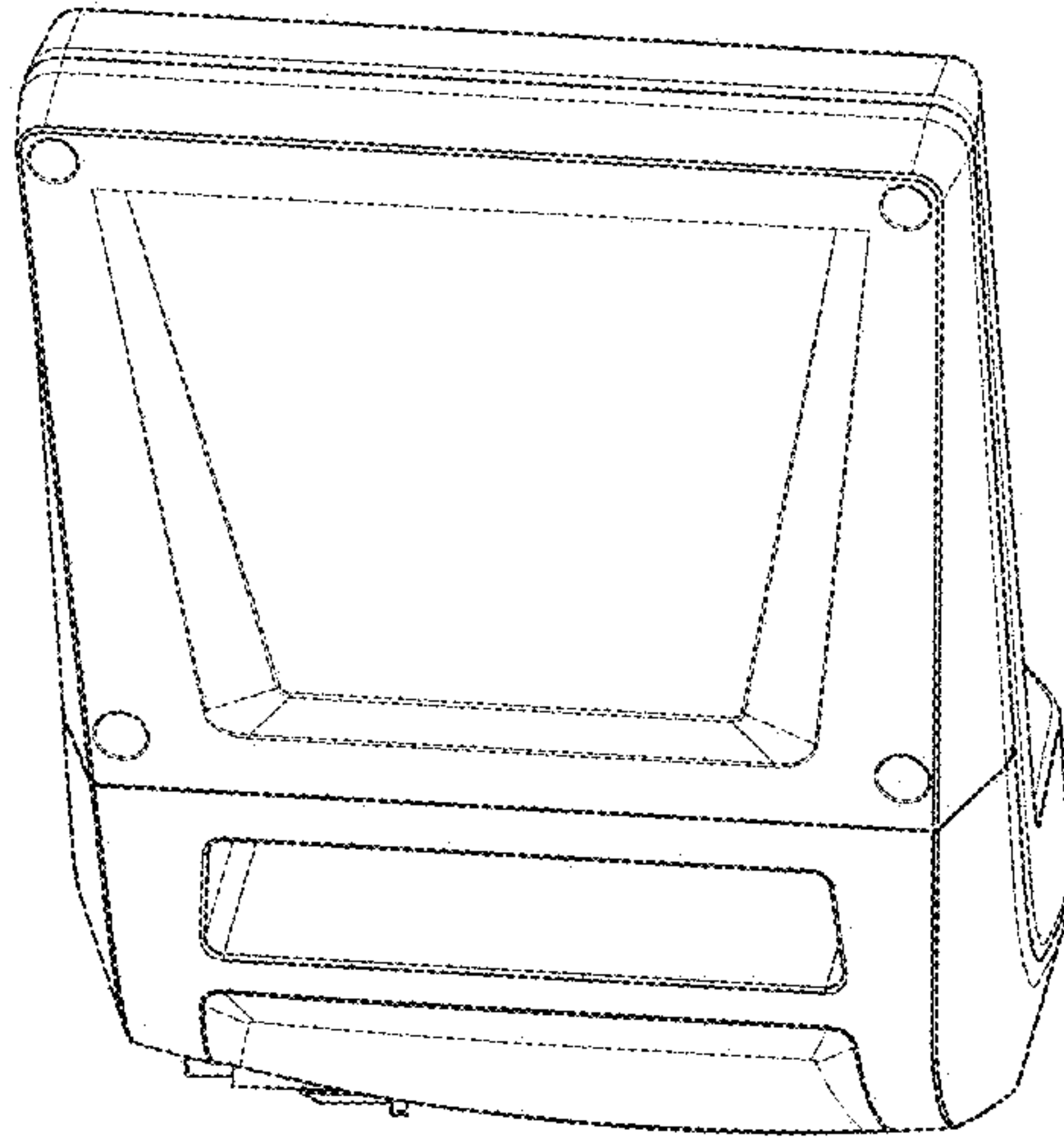


Fig. 6

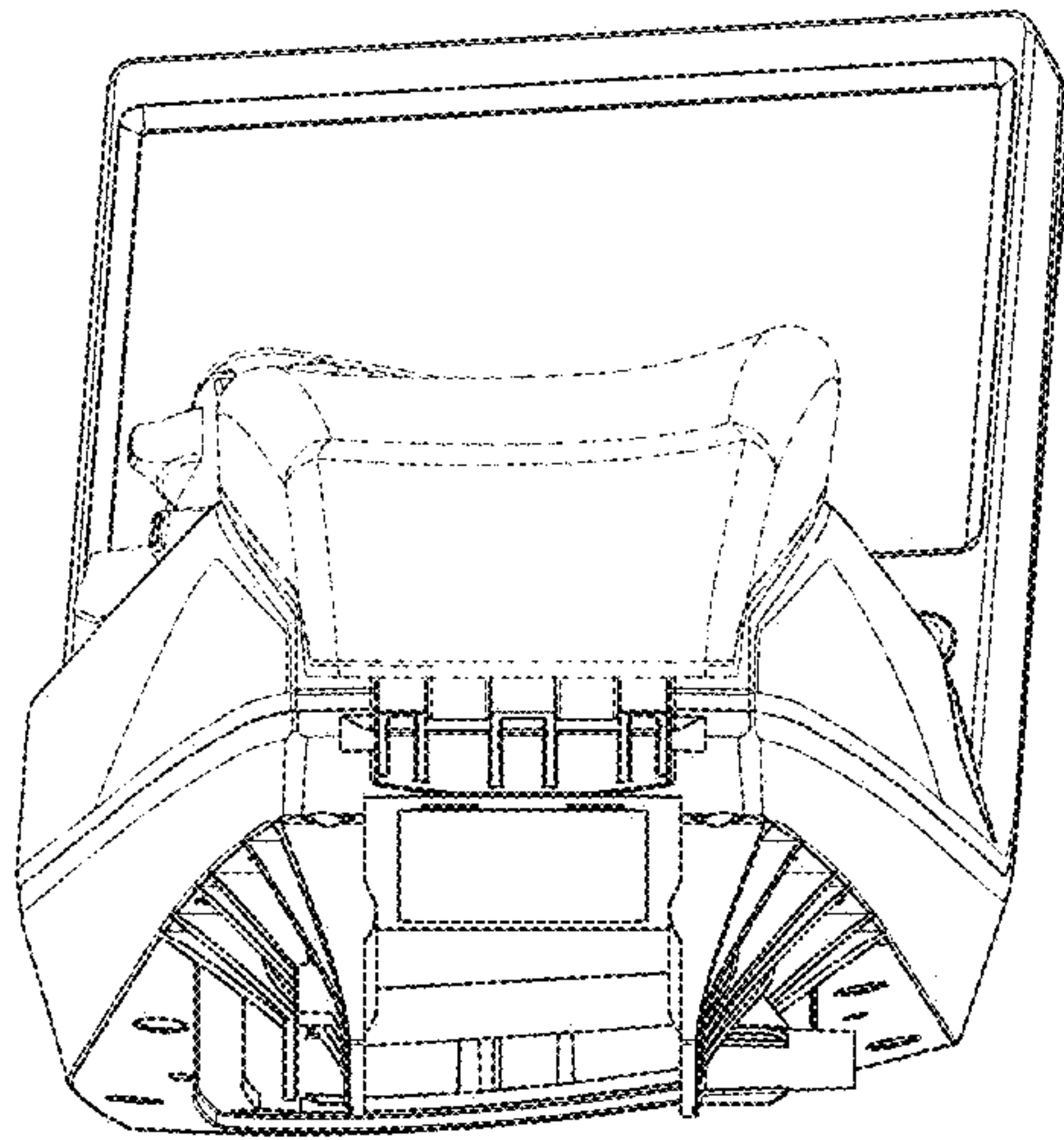


Fig. 7

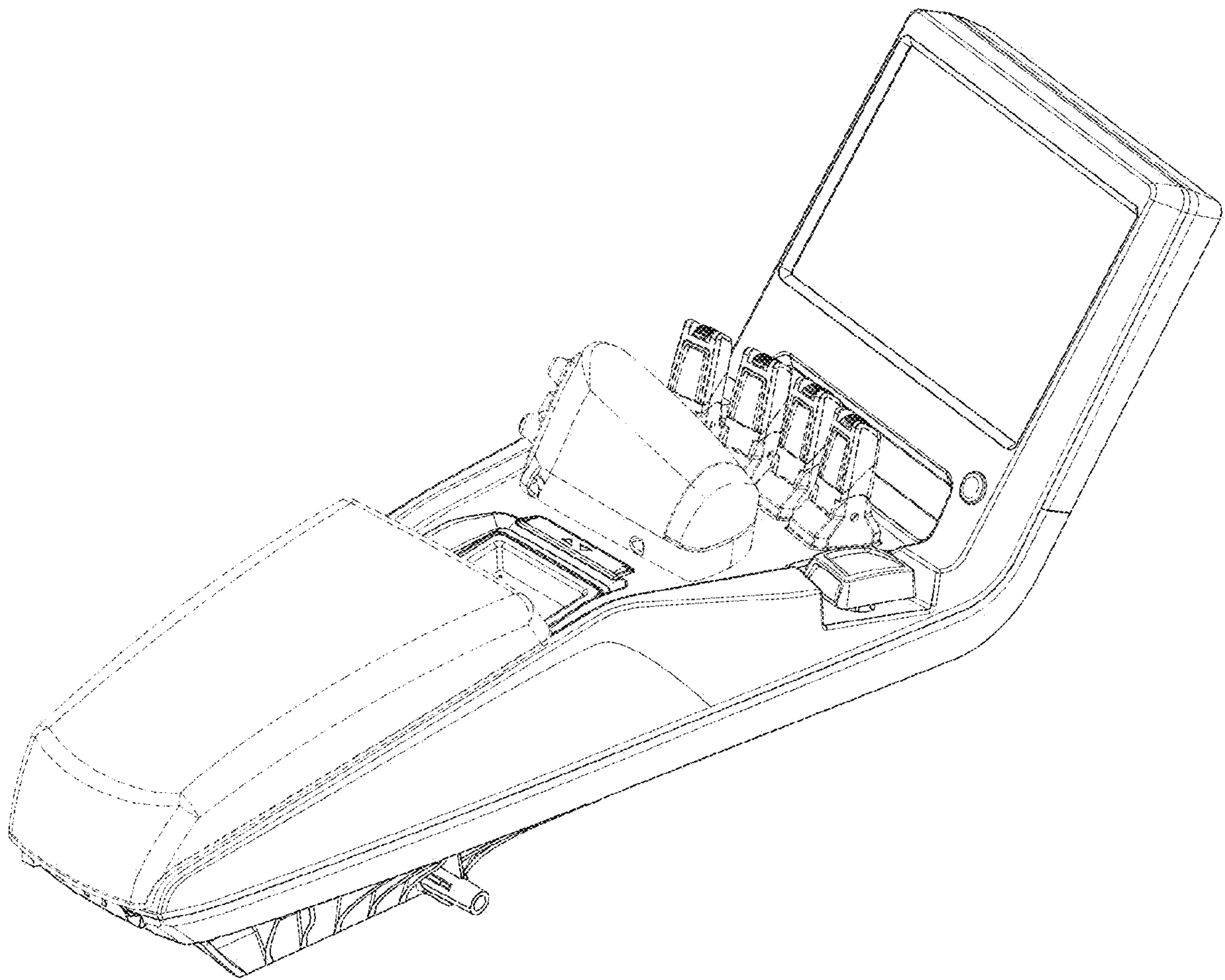


Fig. 8

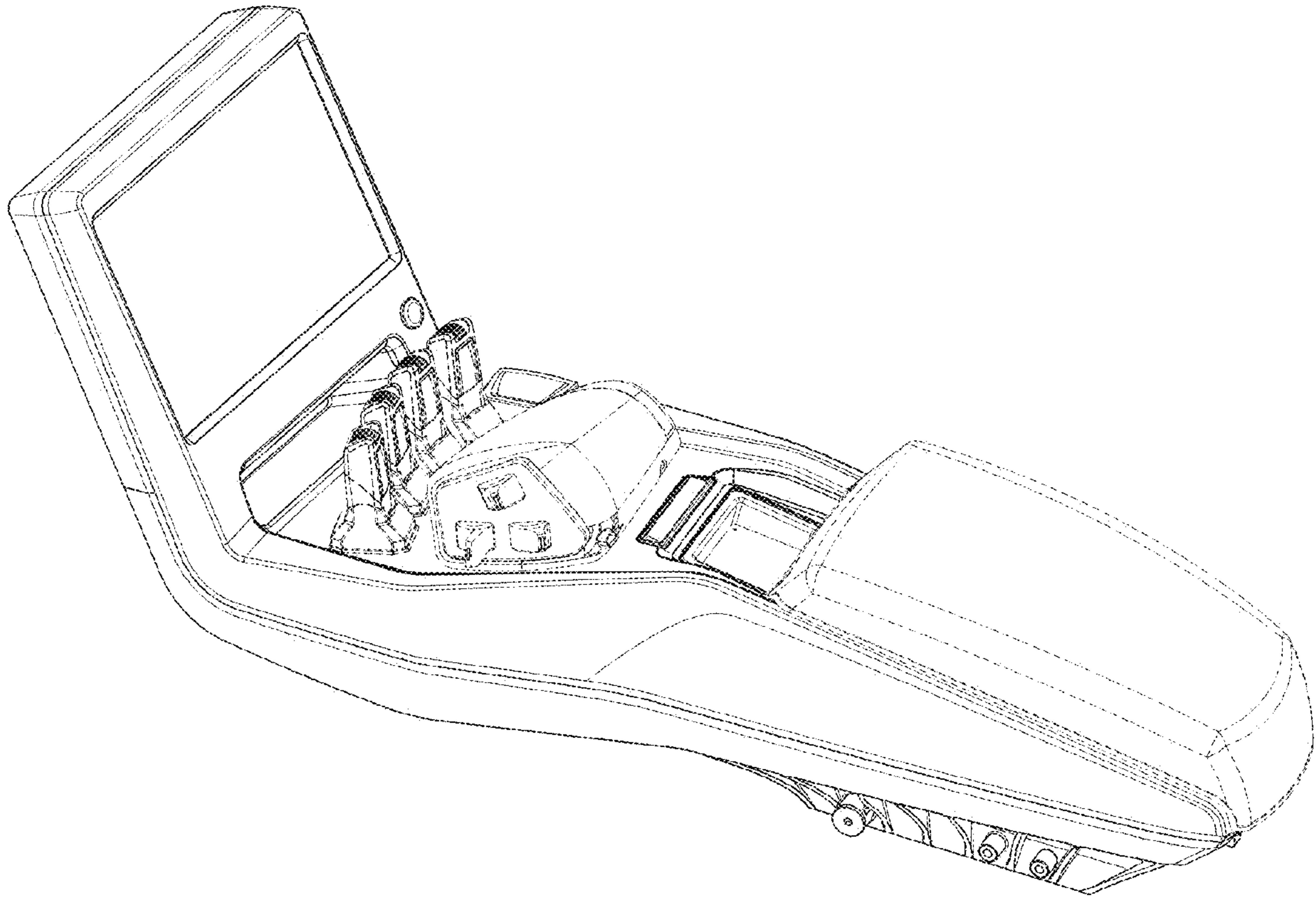


Fig. 9

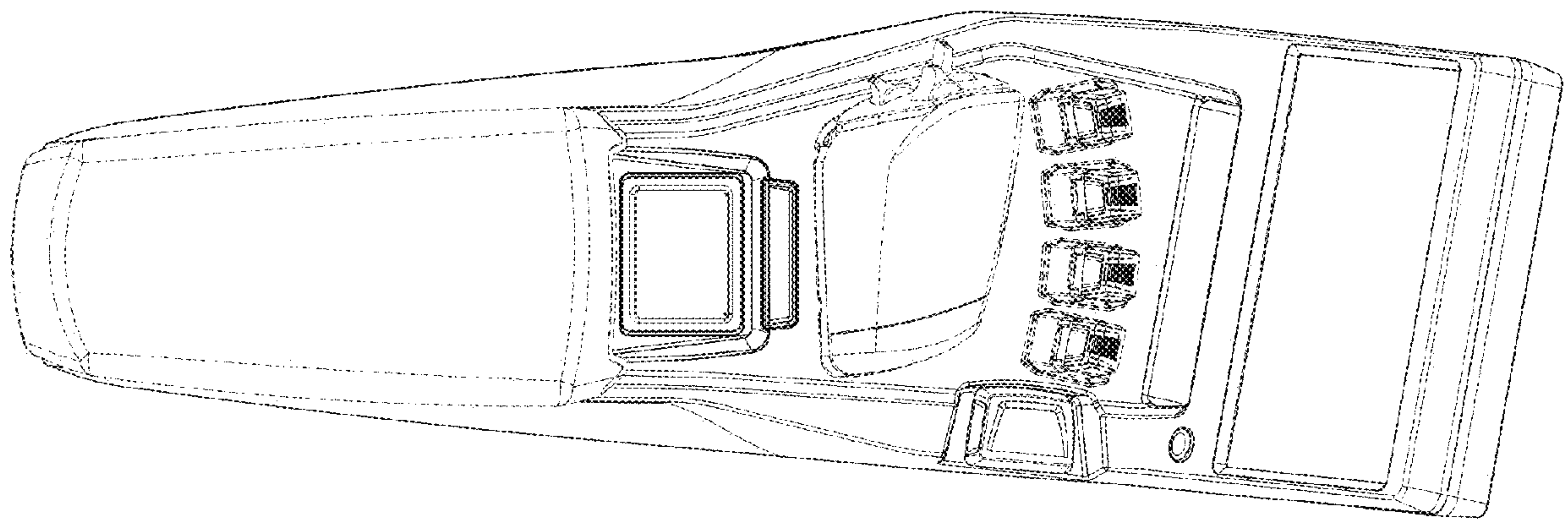


Fig.10

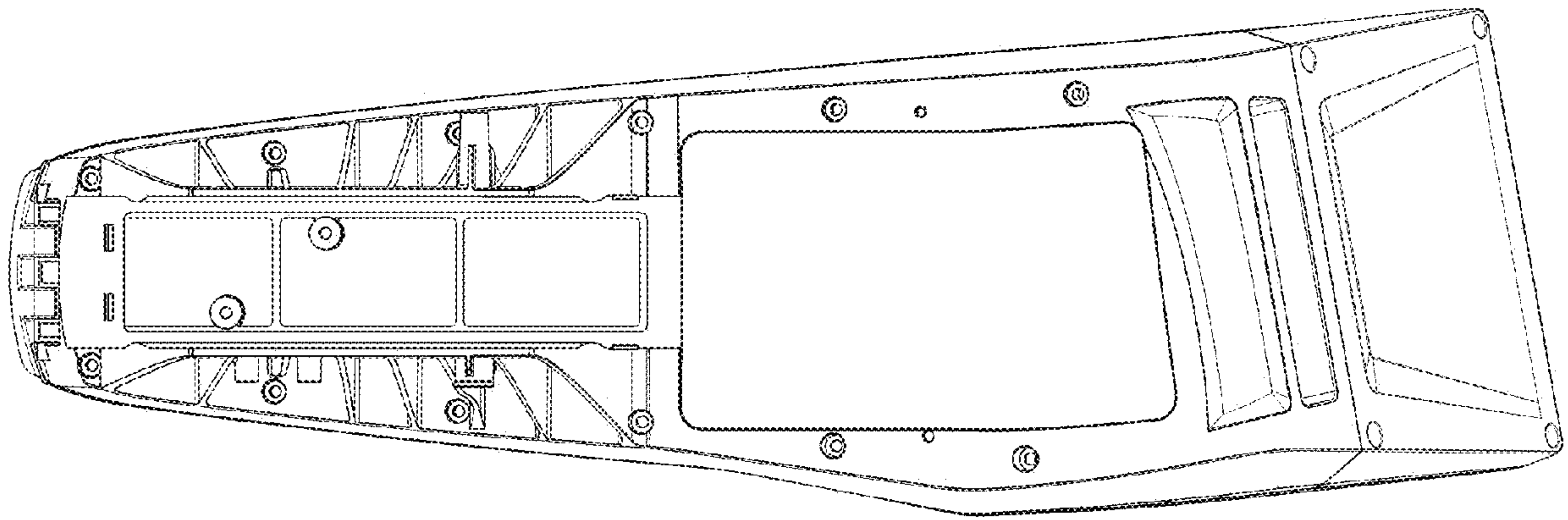


Fig.11

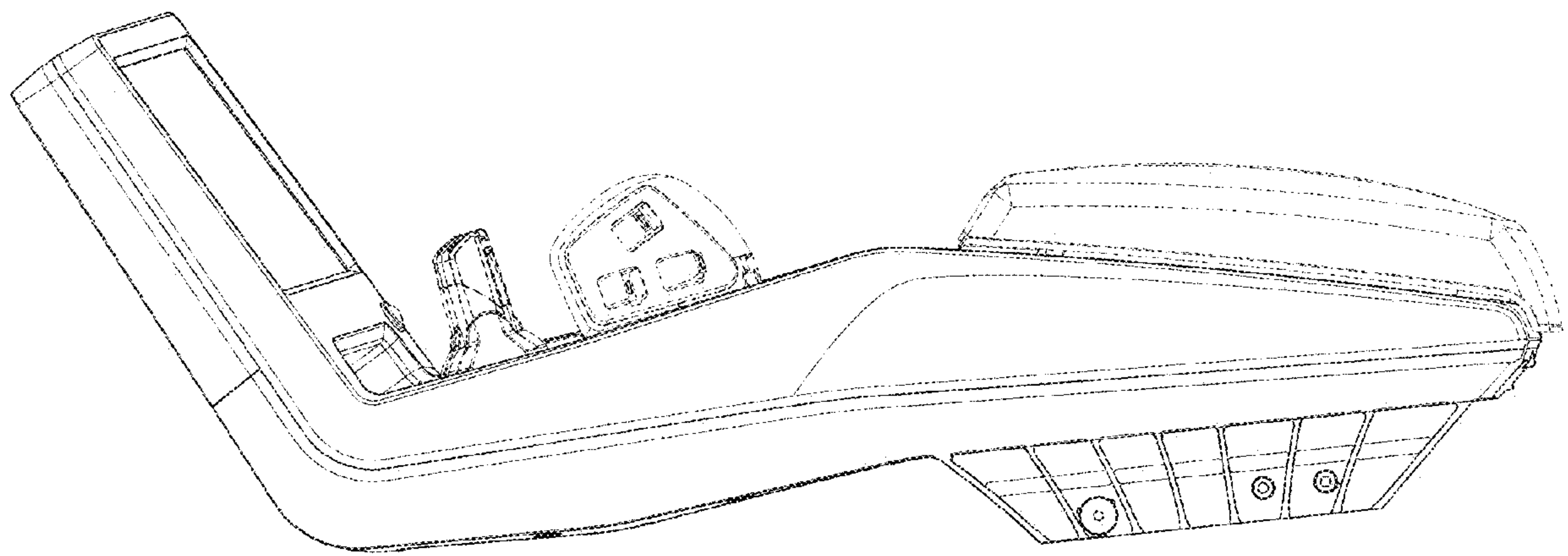


Fig.12

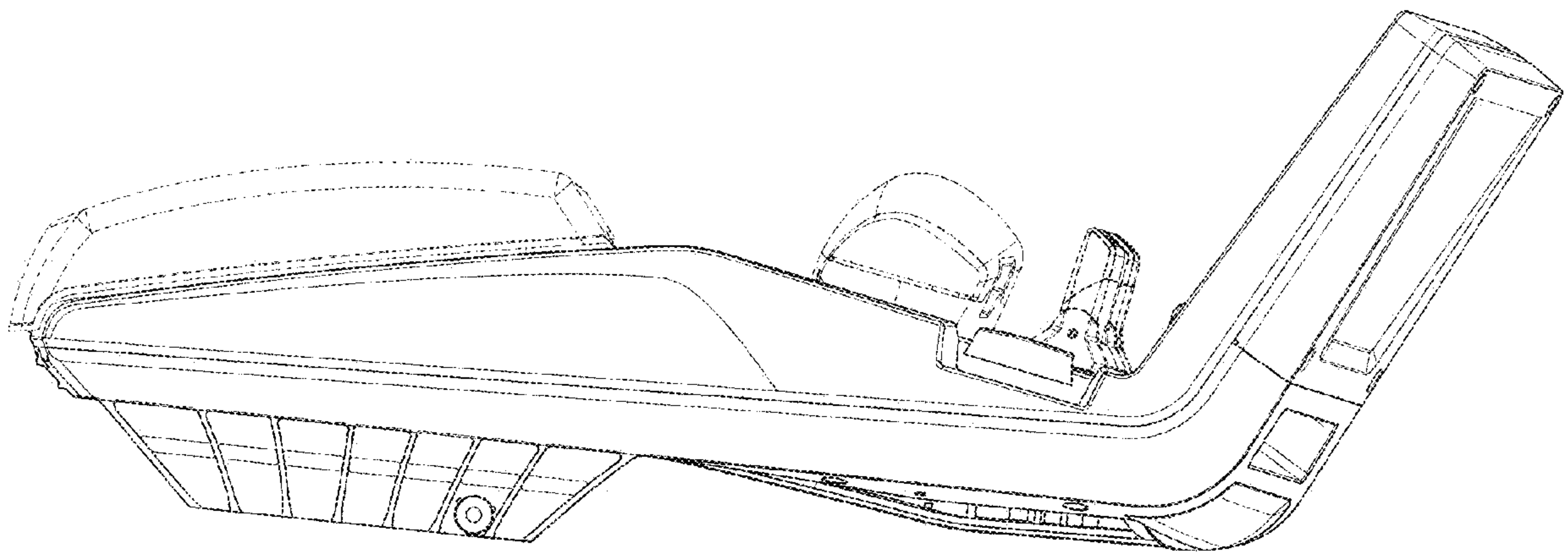


Fig.13

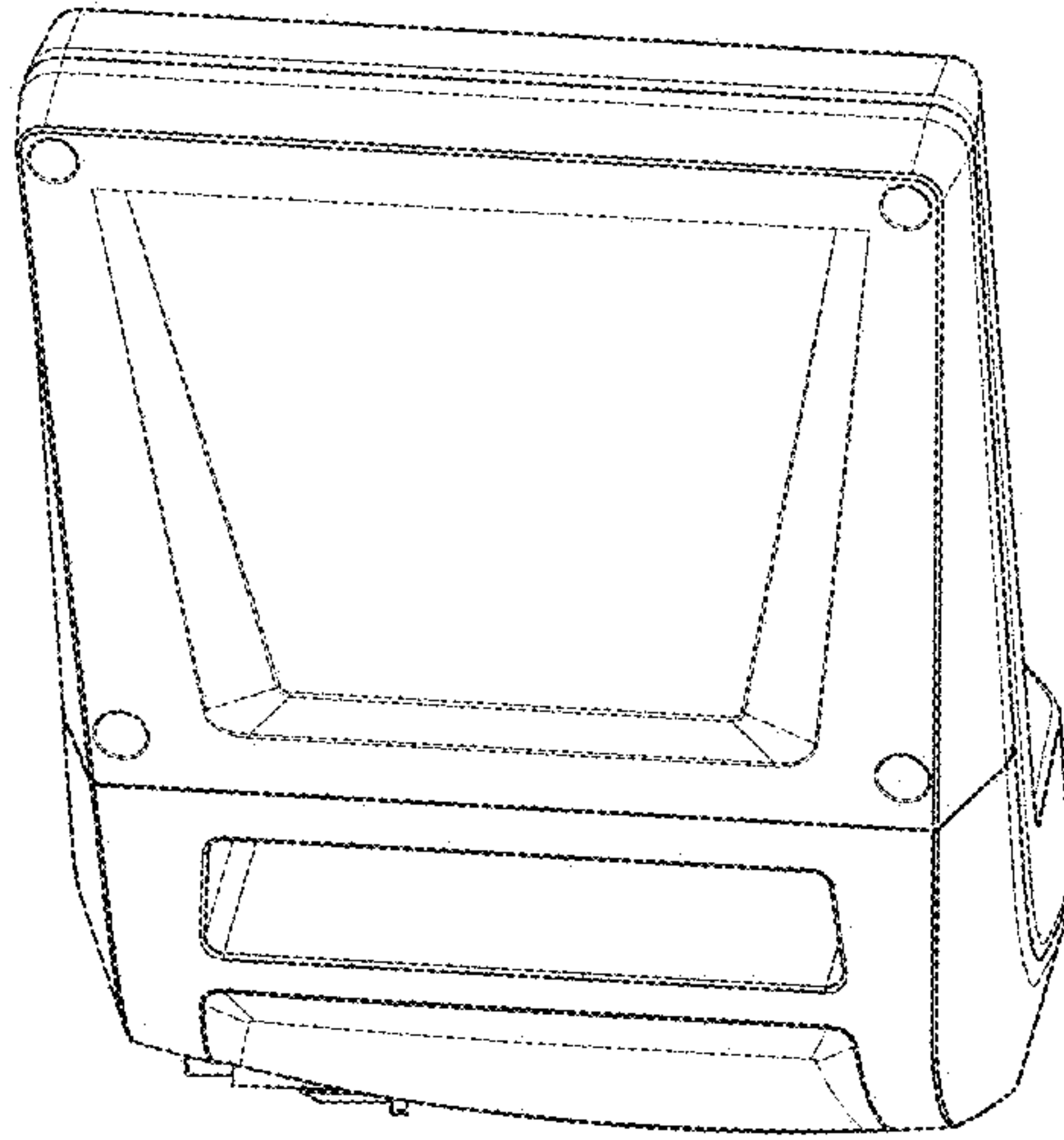


Fig. 14

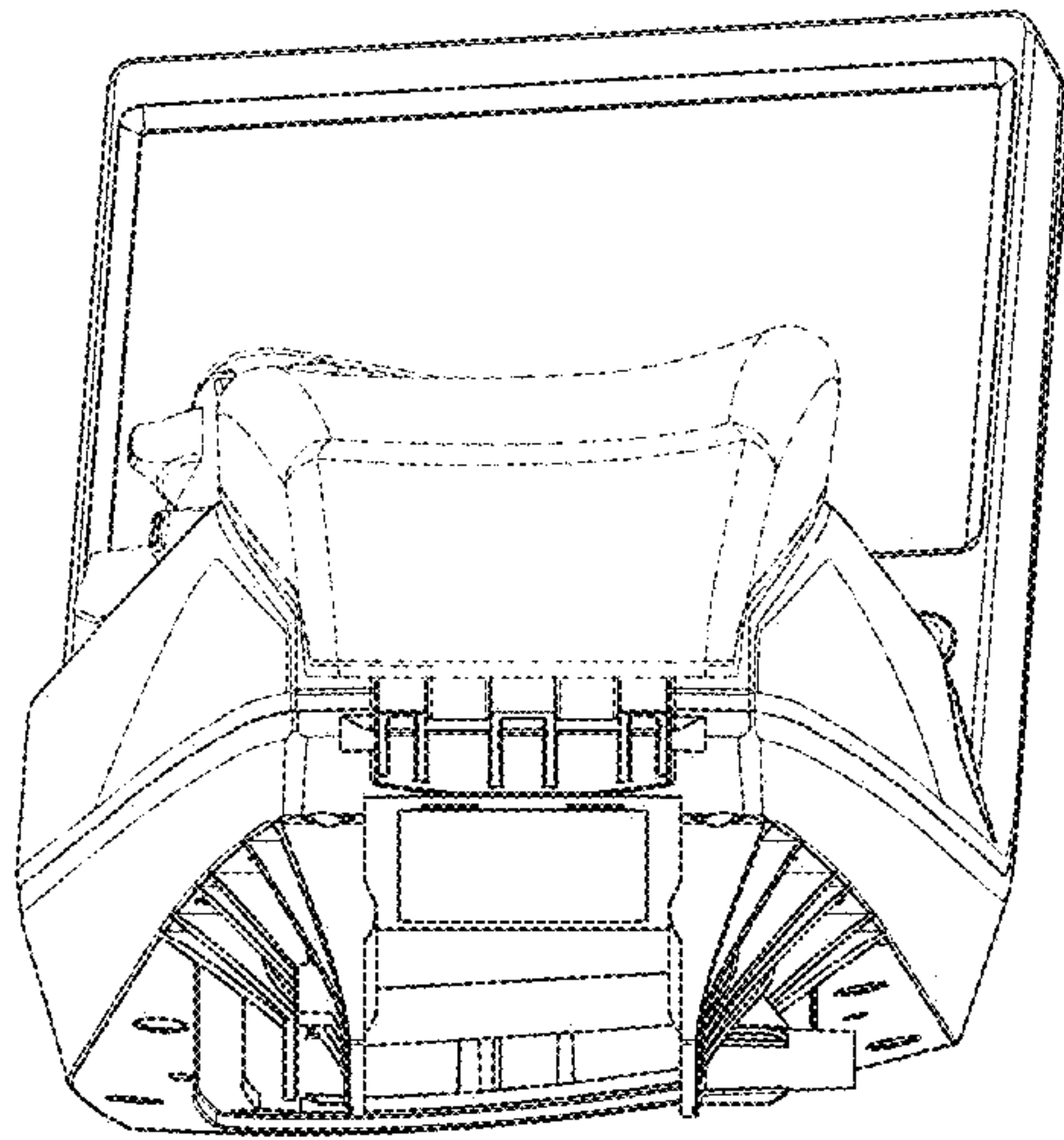


Fig.15

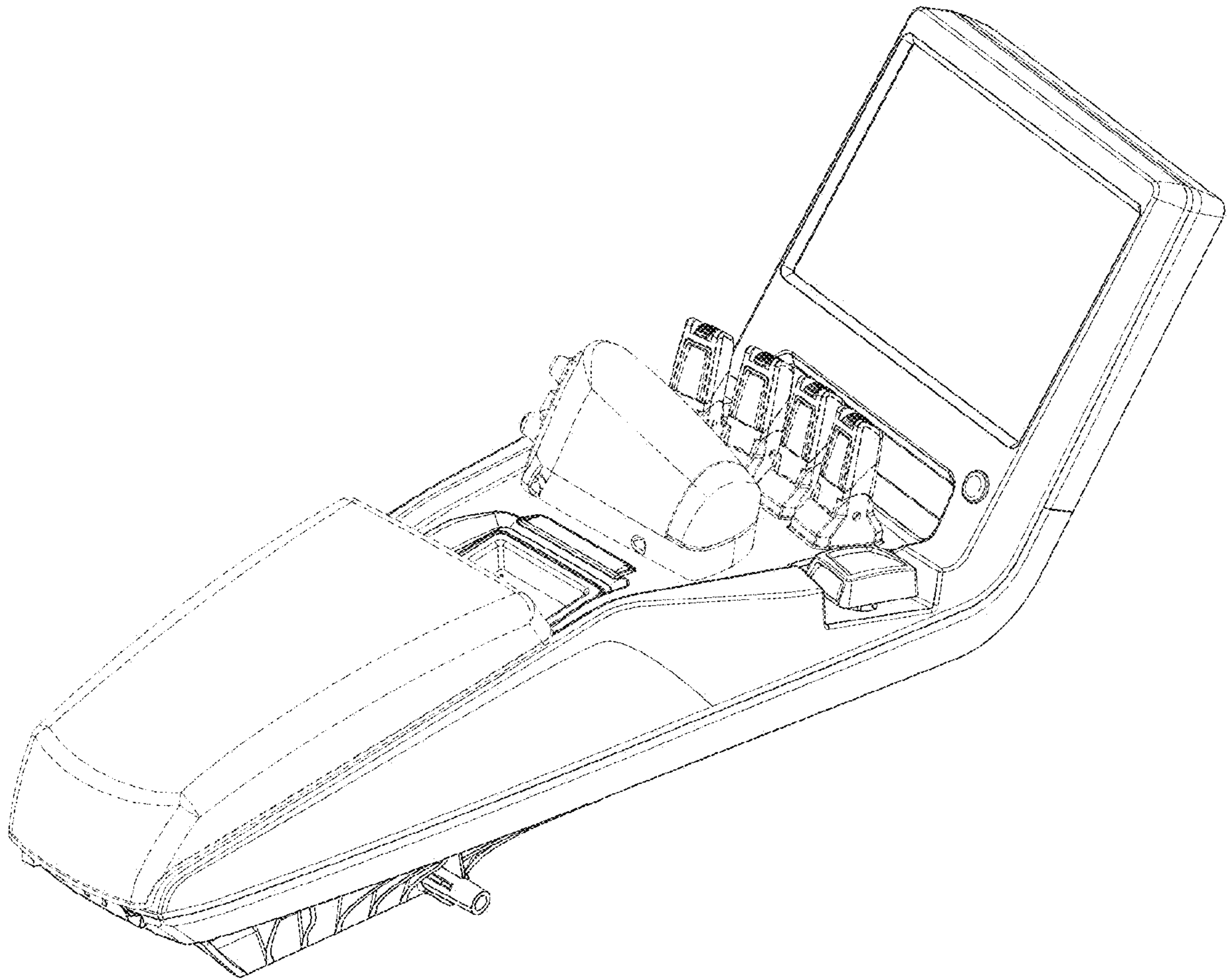


Fig.16