



US00D938339S

(12) **United States Design Patent** (10) **Patent No.:** **US D938,339 S**  
**Baruchin** (45) **Date of Patent:** **\*\* Dec. 14, 2021**

(54) **GROUND STATION**  
(71) Applicant: **Matternet, Inc.**, Mountain View, CA (US)  
(72) Inventor: **Ido Baruchin**, San Francisco, CA (US)  
(73) Assignee: **Matternet, Inc.**, Mountain View, CA (US)  
(\*\*) Term: **15 Years**  
(21) Appl. No.: **29/727,221**  
(22) Filed: **Mar. 9, 2020**  
(51) **LOC (13) Cl.** ..... **12-07**  
(52) **U.S. Cl.**  
USPC ..... **D12/345; D12/400**  
(58) **Field of Classification Search**  
USPC ..... D10/46, 65, 70; D26/1-4, 88, 129, 130, D26/131, 132, 135; D14/230-238, 299, D14/358; D7/669; D4/114, 135; D12/400  
CPC ..... A47J 37/106; B01L 3/021  
See application file for complete search history.

D676,984 S \* 2/2013 Holland ..... D26/2  
D836,802 S \* 12/2018 Armitage ..... D26/2  
D857,278 S \* 8/2019 Luo ..... D26/88  
D893,765 S \* 8/2020 Yang ..... D26/2  
D895,853 S \* 9/2020 Lin ..... D26/2  
D896,667 S \* 9/2020 Chapman ..... D10/65

\* cited by examiner

*Primary Examiner* — Susan E Krakower  
*Assistant Examiner* — Jerry Shiuan-Hua Hsu  
(74) *Attorney, Agent, or Firm* — Dentons US LLP

(57) **CLAIM**

The ornamental design for a ground station, as shown and described.

**DESCRIPTION**

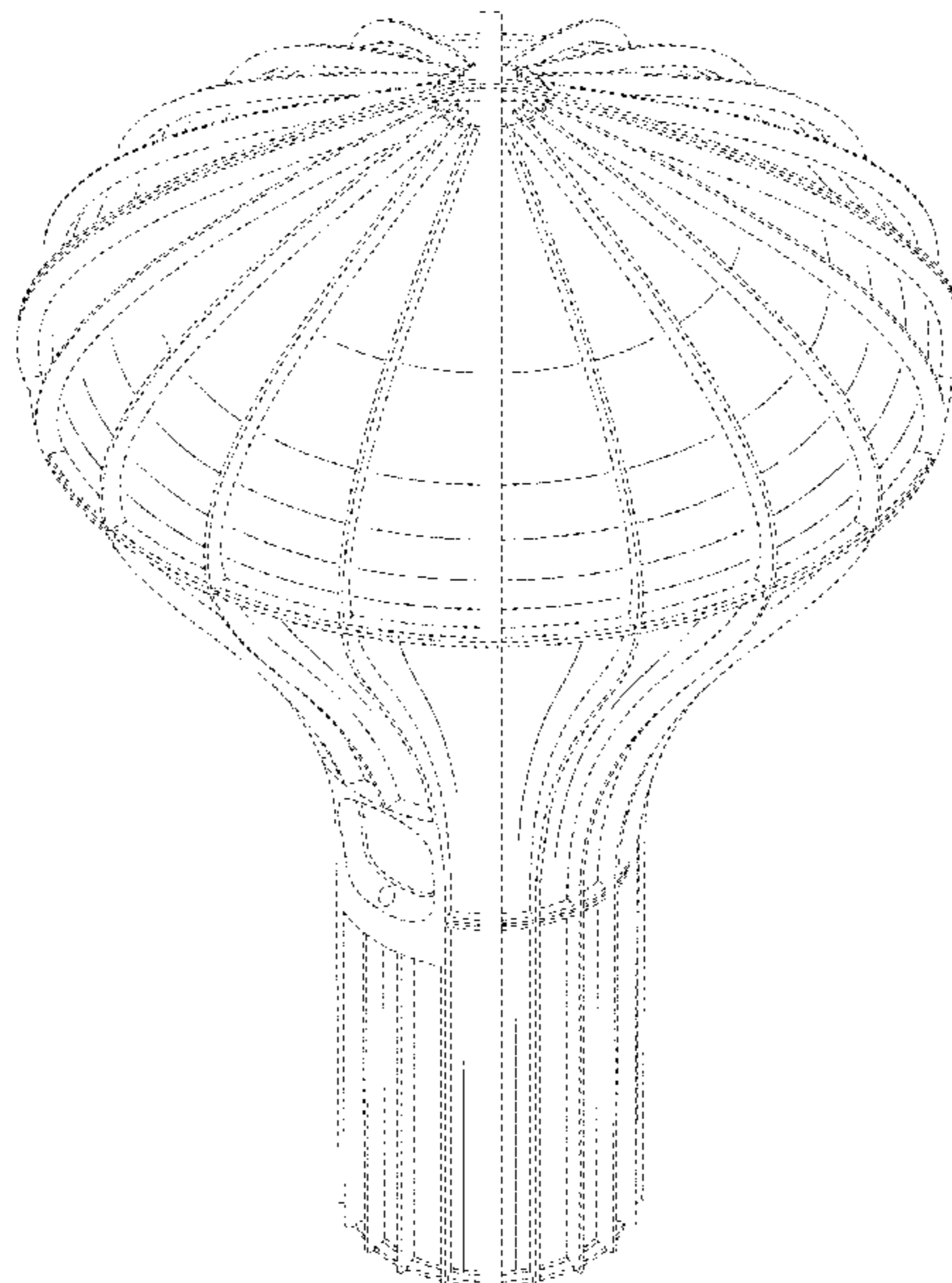
FIG. 1 is a top, front and right perspective view of a ground station showing our new design;  
FIG. 2 is a front elevation view of the ground station of FIG. 1;  
FIG. 3 is a rear elevation view of the ground station of FIG. 1;  
FIG. 4 is a left side elevation view of the ground station of FIG. 1;  
FIG. 5 is a right side elevation view of the ground station of FIG. 1;  
FIG. 6 is a top plan view of the ground station of FIG. 1;  
FIG. 7 is a bottom plan view of the ground station of FIG. 1;  
FIG. 8 is a top, front and left side perspective view of the ground station of FIG. 1; and,  
FIG. 9 is a top, rear and left perspective view of the ground station of FIG. 1 wherein doors of the ground station are in an alternate position.  
The broken lines illustrate portions of the ground station that form no part of the claimed design.

(56) **References Cited**

**U.S. PATENT DOCUMENTS**

5,720,330 A \* 2/1998 Schmalz, Jr. .... B01L 3/021 141/114  
D401,593 S \* 11/1998 Nishimura ..... D14/230  
D421,439 S \* 3/2000 Giuntoli ..... D14/230  
D442,947 S \* 5/2001 Warner ..... D14/230  
6,575,204 B1 \* 6/2003 Godfrey ..... A47J 37/106 141/1  
D521,327 S \* 5/2006 Neal ..... D7/669  
D531,626 S \* 11/2006 Agrawal ..... D14/233  
D625,299 S \* 10/2010 Kits van Heyningen ... D14/233  
D626,667 S \* 11/2010 Jonsson ..... D26/2  
D651,327 S \* 12/2011 Hsiao ..... D26/2  
D676,583 S \* 2/2013 Holland ..... D26/2

**1 Claim, 9 Drawing Sheets**



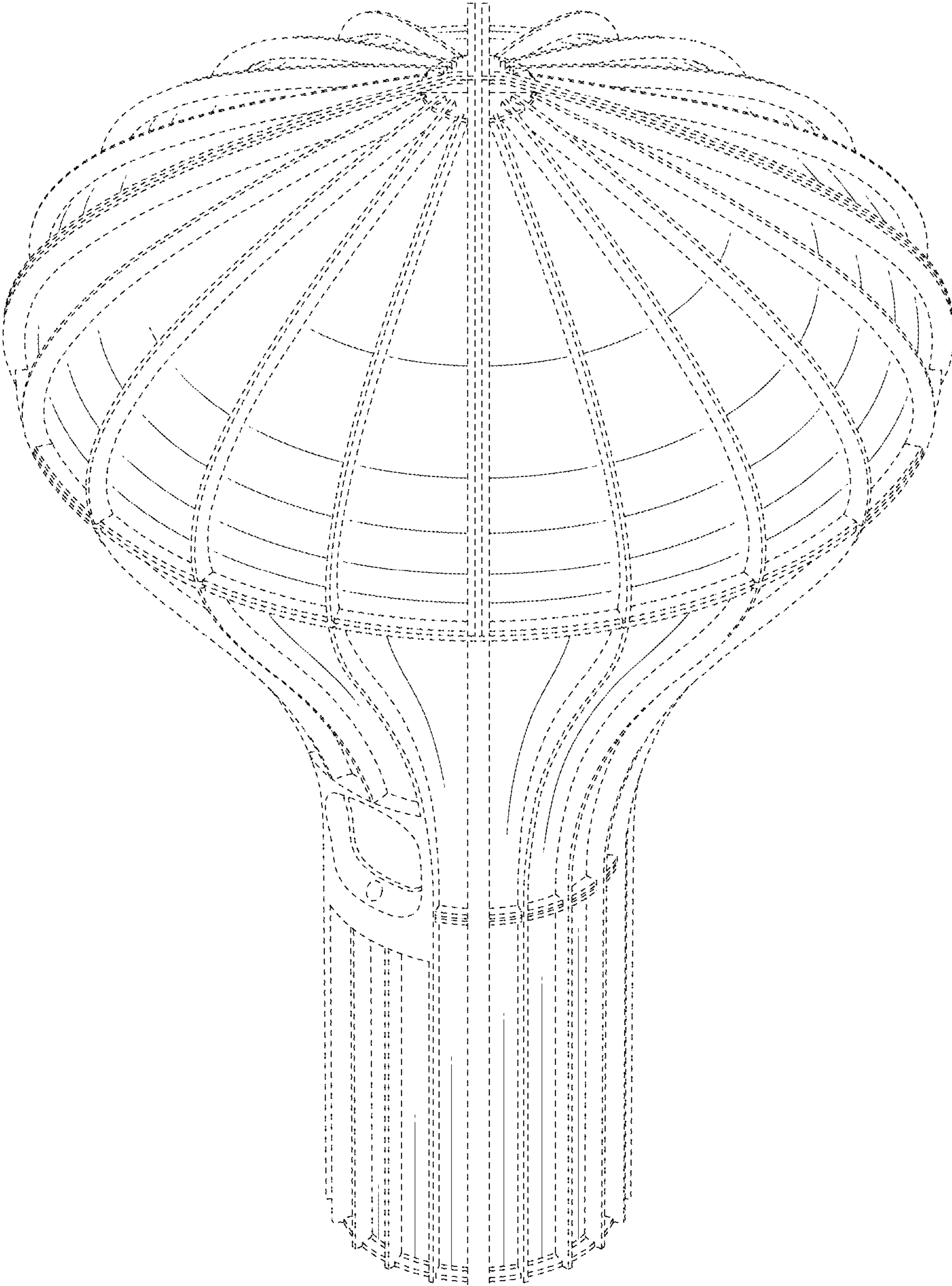


FIG. 1

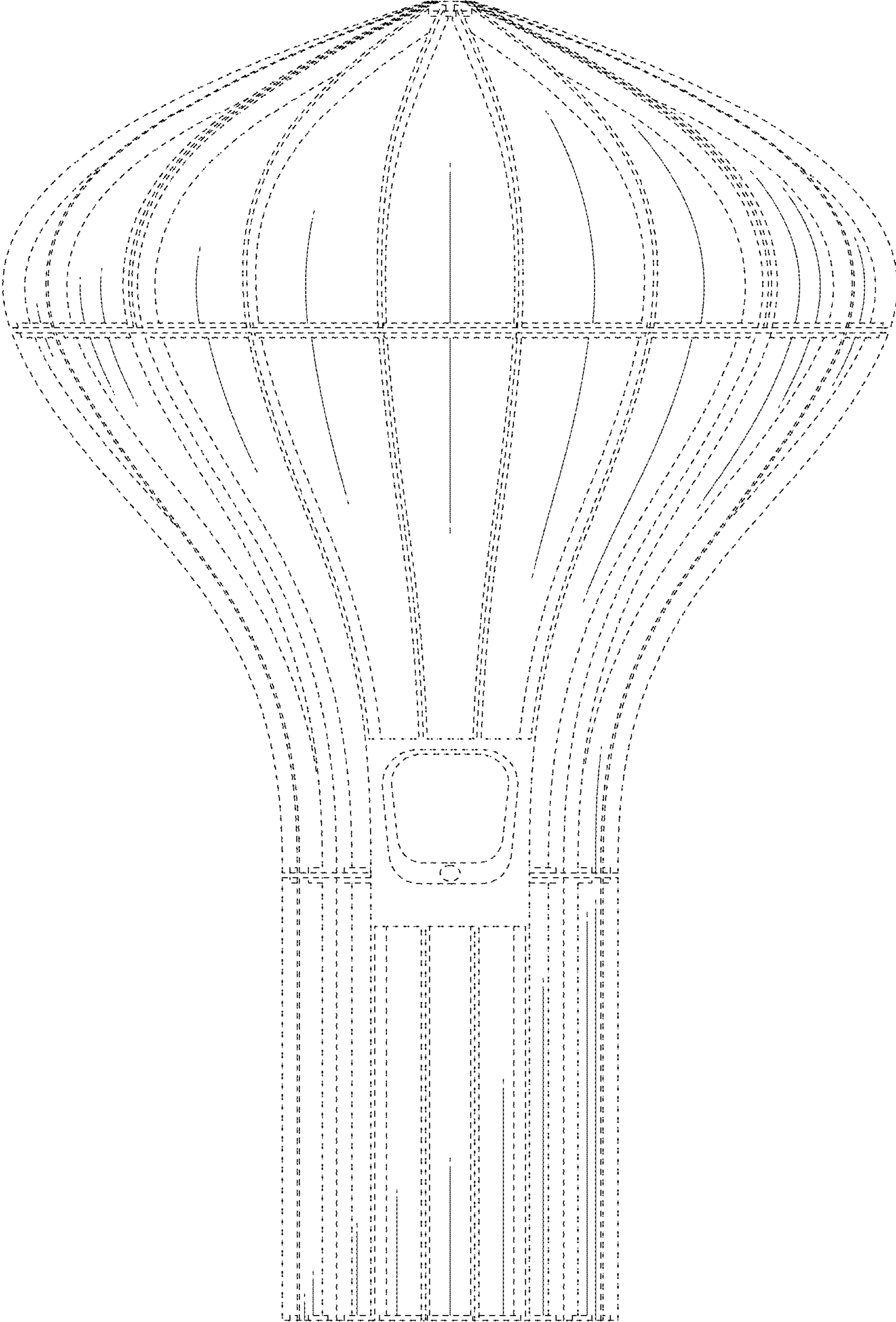


FIG. 2



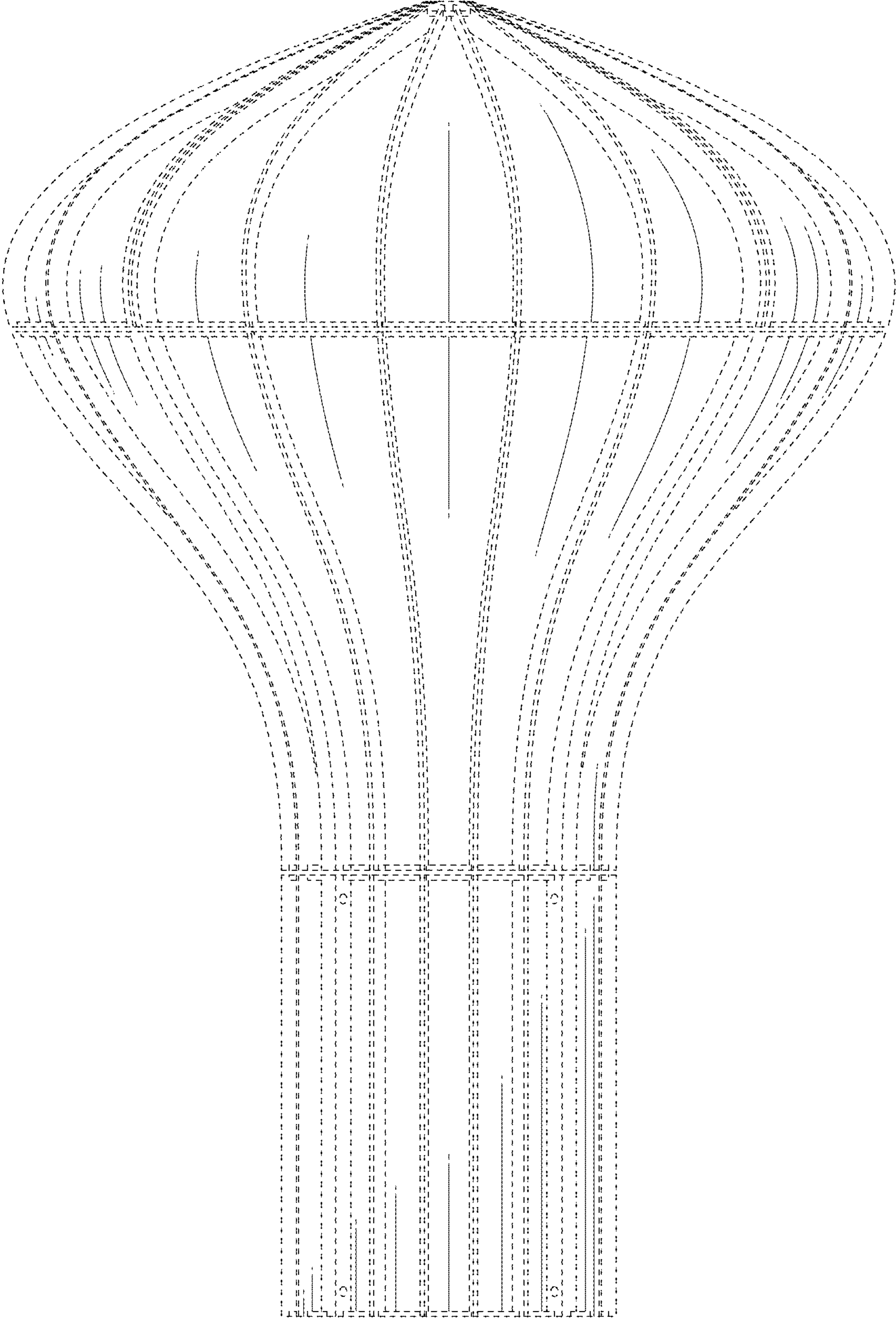


FIG. 3

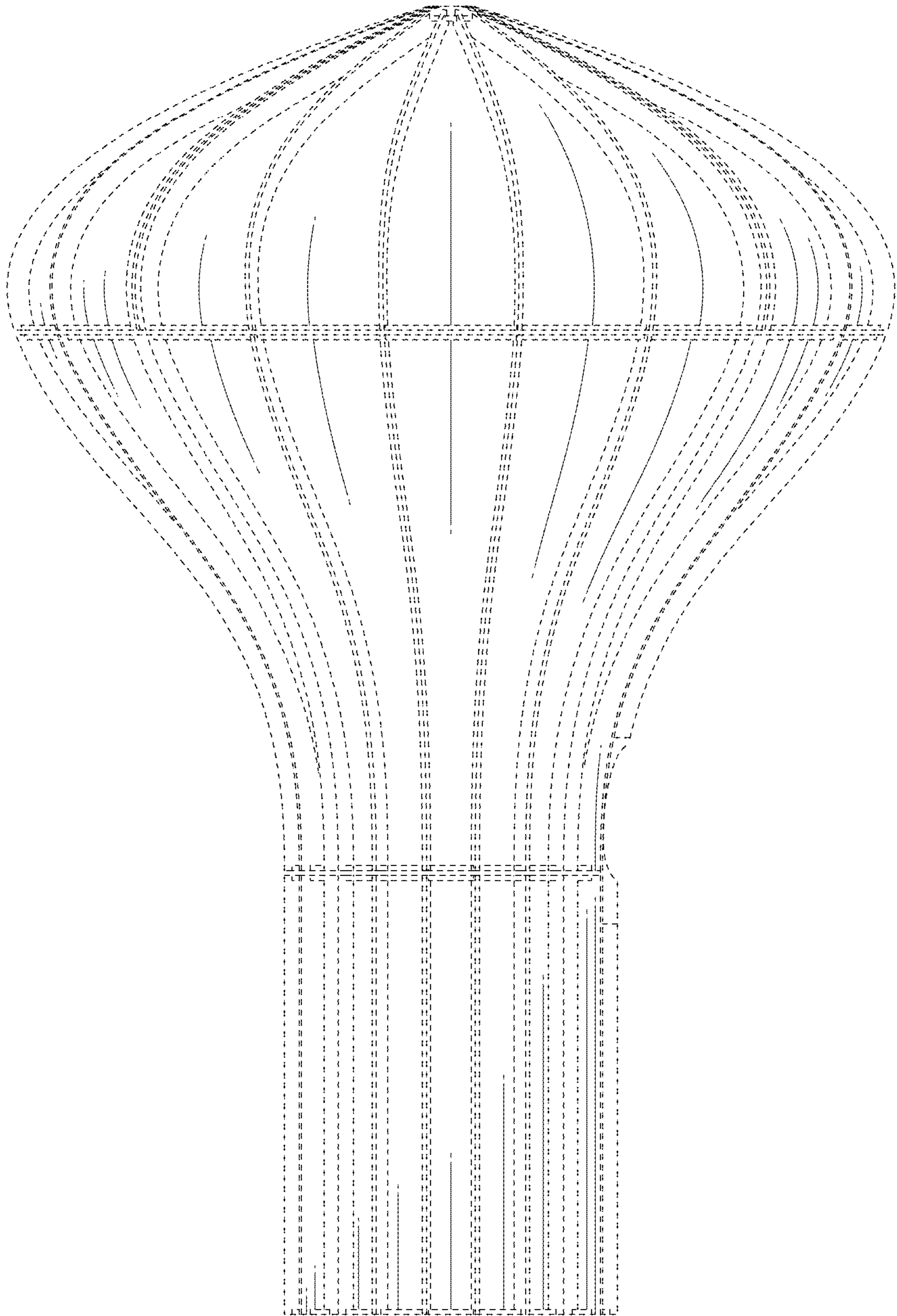


FIG. 4

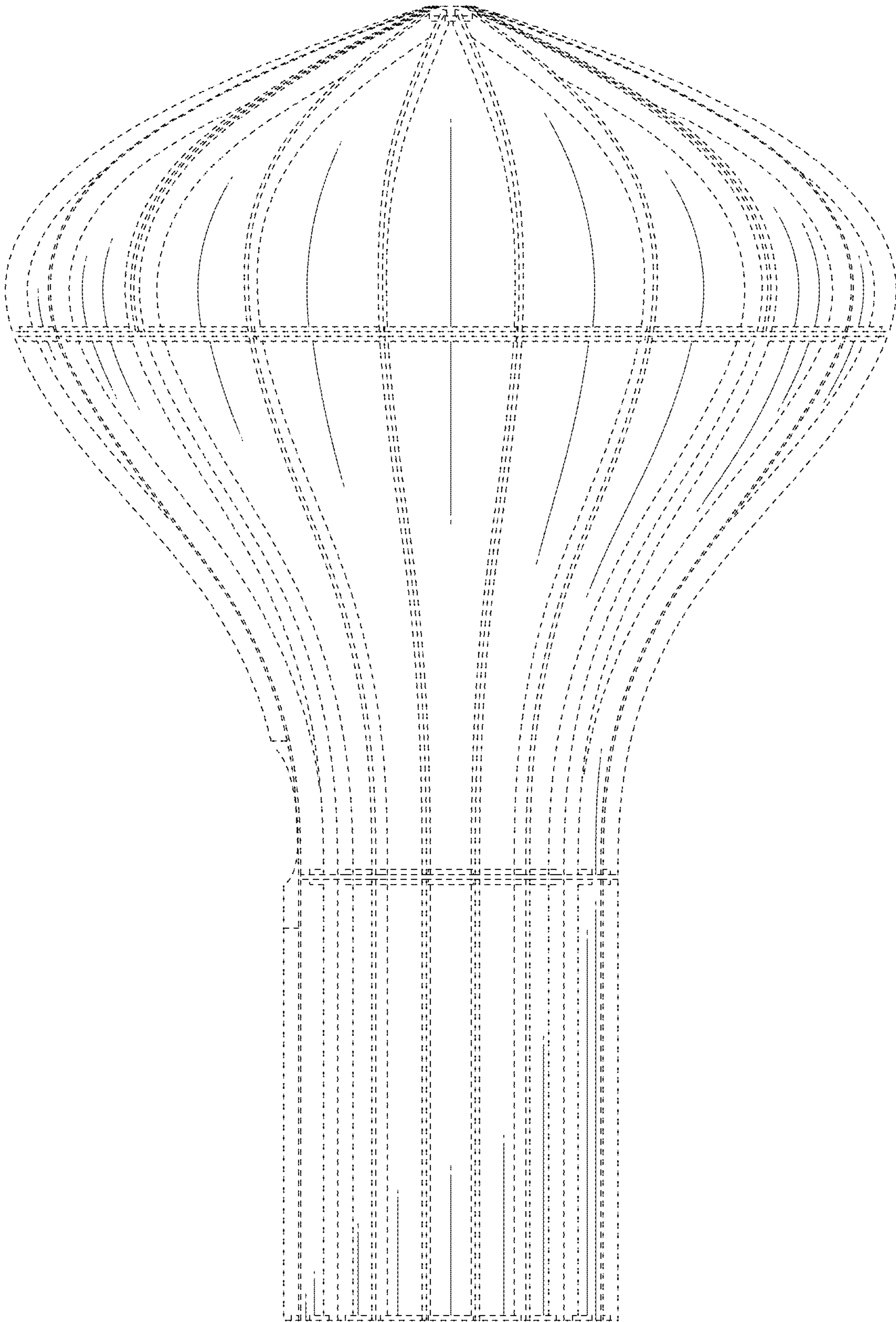


FIG. 5



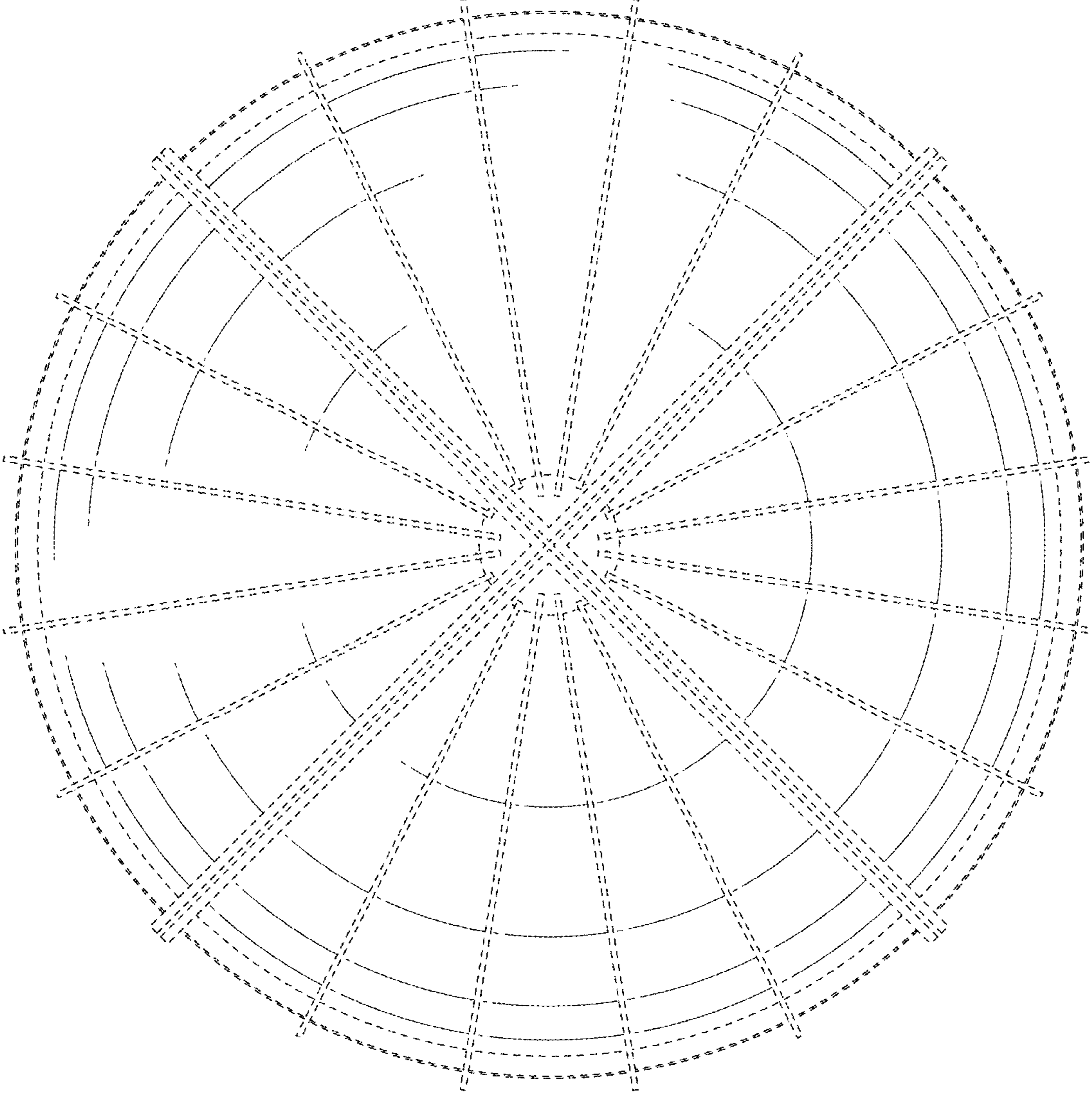


FIG. 6

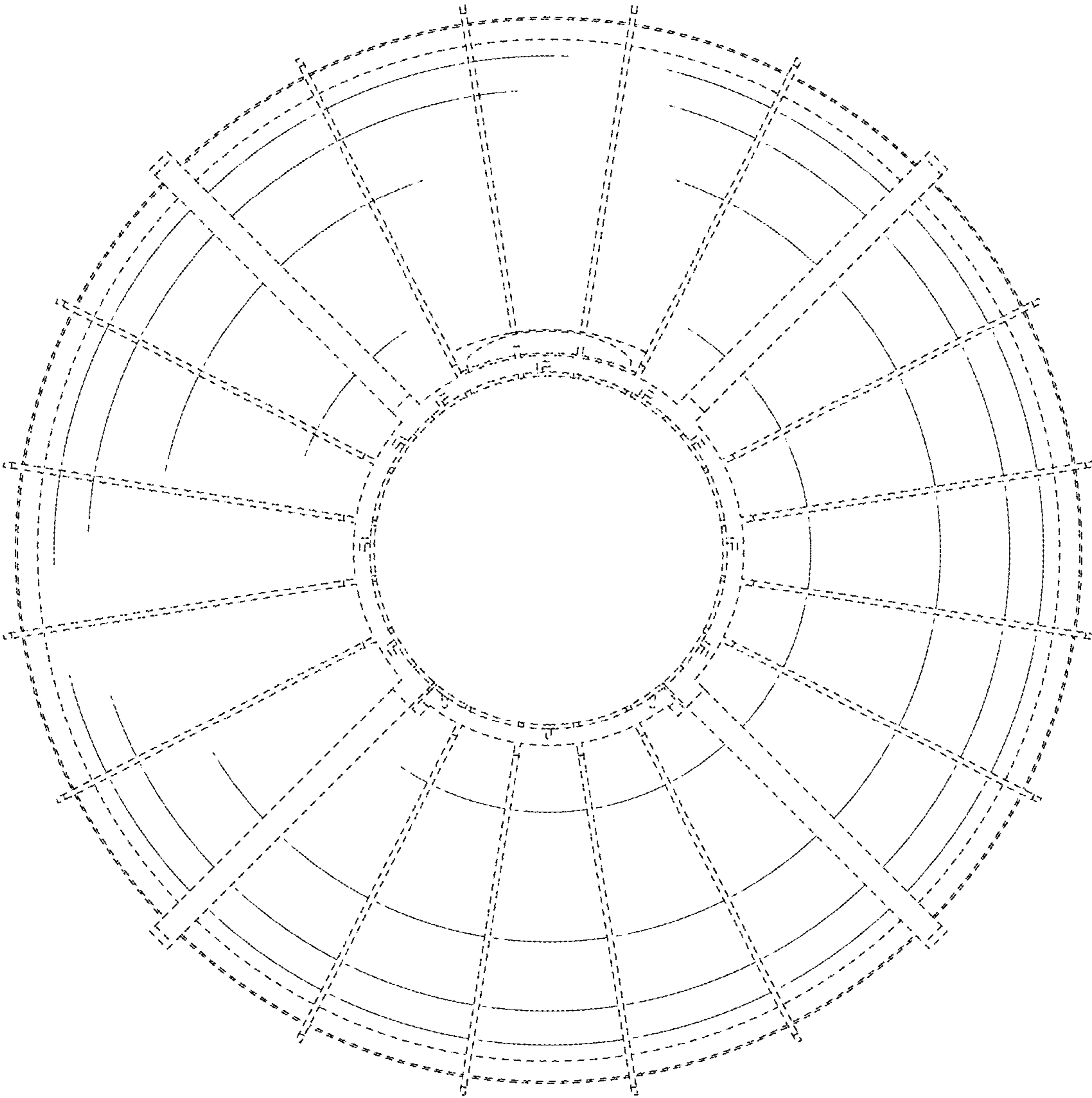


FIG. 7



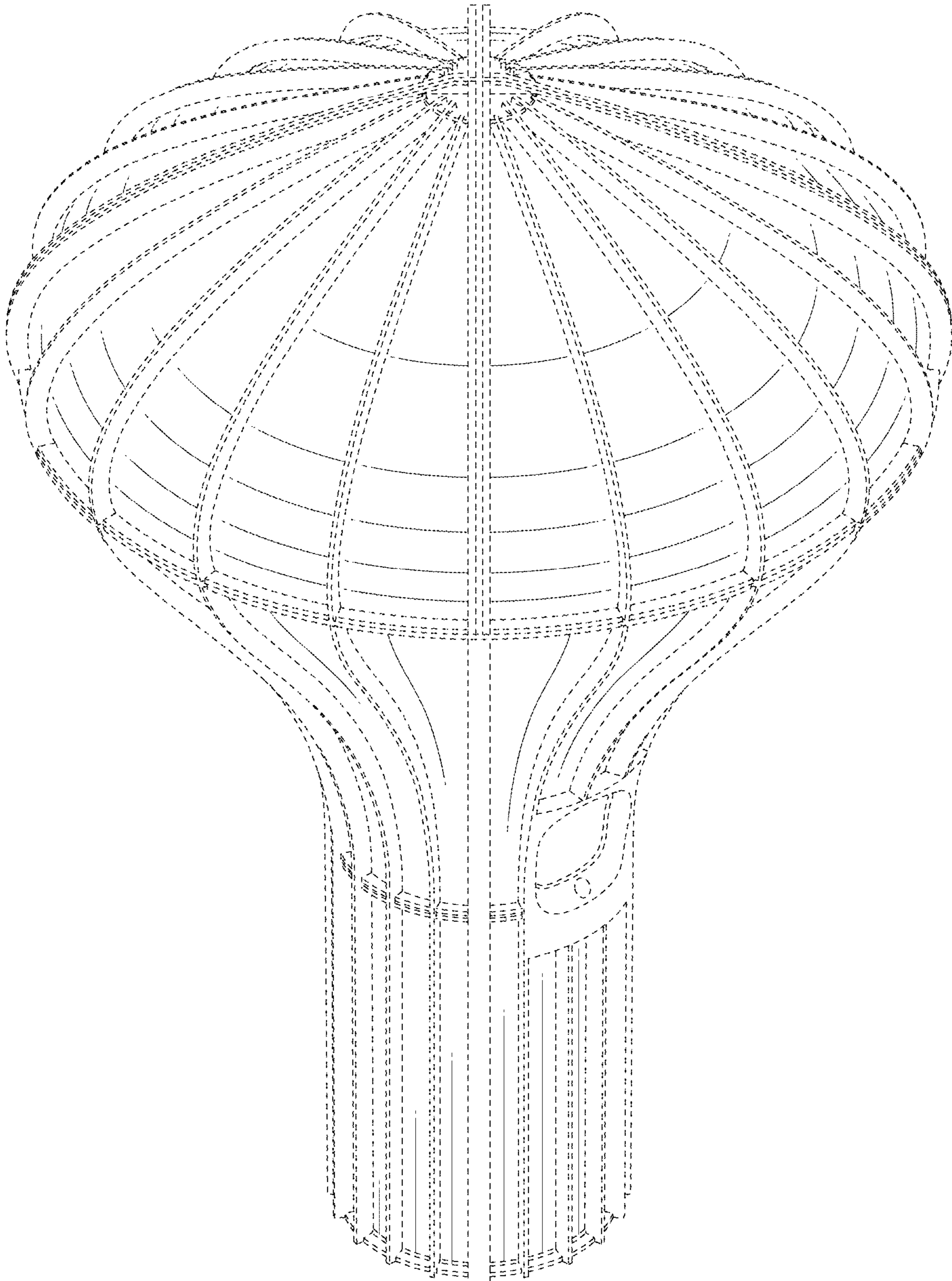


FIG. 8

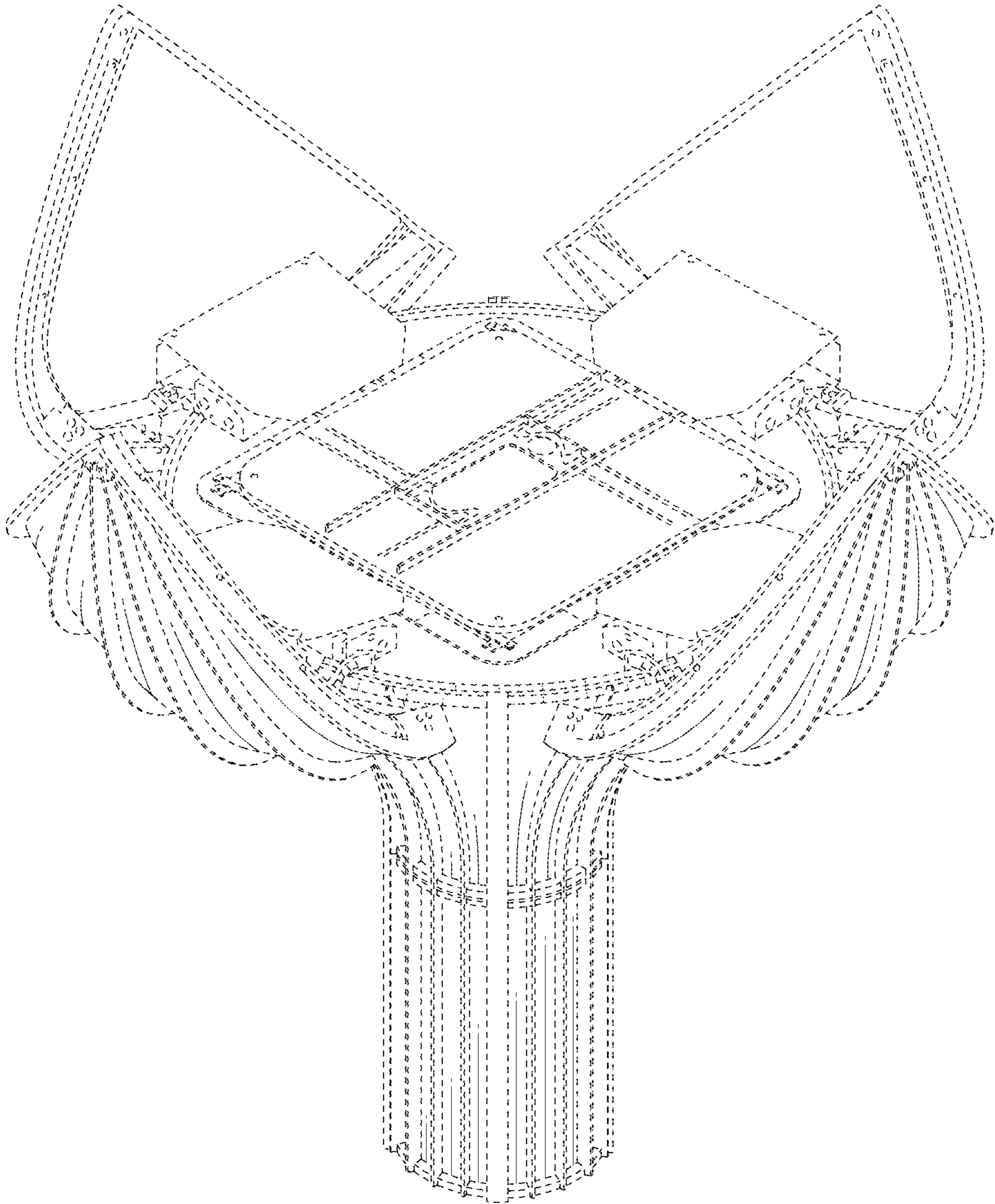


FIG. 9