



US00D938338S

(12) **United States Design Patent**
Podlovits

(10) **Patent No.:** **US D938,338 S**

(45) **Date of Patent:** **** Dec. 14, 2021**

(54) **WHEEL FRONT FACE**

(71) Applicant: **Joseph F. Podlovits**, Brea, CA (US)

(72) Inventor: **Joseph F. Podlovits**, Brea, CA (US)

(73) Assignee: **WHEEL GROUP HOLDINGS, LLC**,
Ontario, CA (US)

(**) Term: **15 Years**

(21) Appl. No.: **29/753,669**

(22) Filed: **Oct. 1, 2020**

(51) **LOC (13) Cl.** **12-16**

(52) **U.S. Cl.**
USPC **D12/209**

(58) **Field of Classification Search**
USPC D12/204-213; D21/563
CPC B60B 7/00; B60B 7/02; B60B 7/04; B60B
7/01; B60B 7/06; B60B 3/02; B60B 3/04;
B60B 3/06; B60B 3/10; B60B 1/00;
B60B 1/08; B60B 1/10; B60B 1/12
See application file for complete search history.

(56) **References Cited**

U.S. PATENT DOCUMENTS

D303,949 S * 10/1989 Nakatsuka D12/211
D396,838 S * 8/1998 Mills D12/209

D817,843 S * 5/2018 Hale, Jr. D12/209
D843,300 S * 3/2019 Hodges D12/209
D846,478 S * 4/2019 Kovacs D12/209
D855,539 S * 8/2019 Han D12/209
D863,186 S * 10/2019 Han D12/209
D863,187 S * 10/2019 Han D12/209
D870,631 S * 12/2019 Ash D12/209
D902,109 S * 11/2020 Han D12/209
D906,214 S * 12/2020 Han D12/209
D921,551 S * 6/2021 Yeh D12/209

* cited by examiner

Primary Examiner — Stacia A Cadmus

(74) *Attorney, Agent, or Firm* — Law Offices of S.J.
Christine Yang

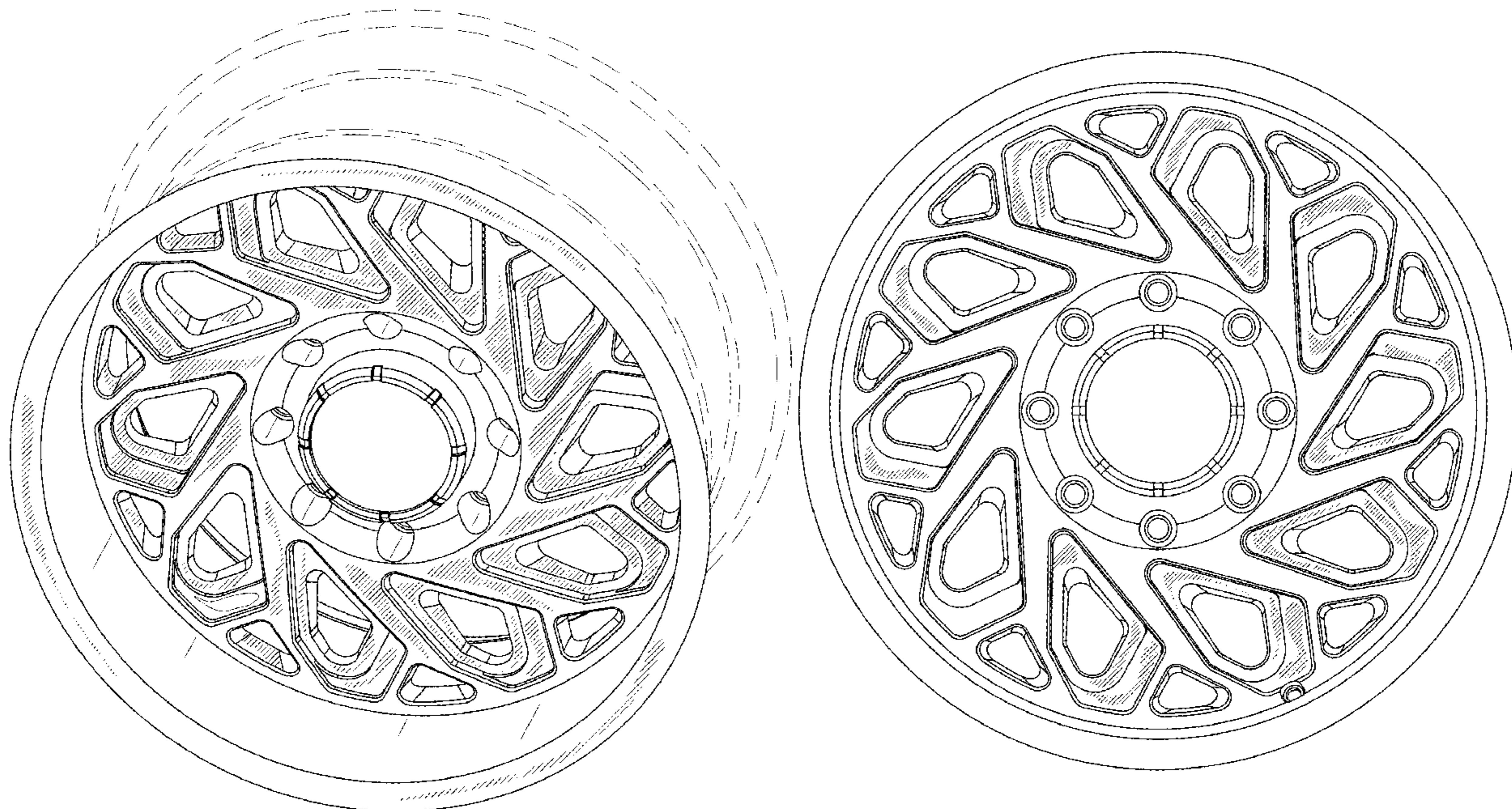
(57) **CLAIM**

The ornamental design for a wheel front face, as shown and described.

DESCRIPTION

FIG. 1 is a perspective view of a wheel front face showing a new design.
FIG. 2 is a front view of the wheel front face of FIG. 1; and,
FIG. 3 is a side view of the wheel front face of FIG. 1.
In the drawings, the surface shadings are for illustrative purposes only, and form no part of the claim. In the drawings the broken lines depict portions of the wheel that form no part of the claimed design.

1 Claim, 3 Drawing Sheets



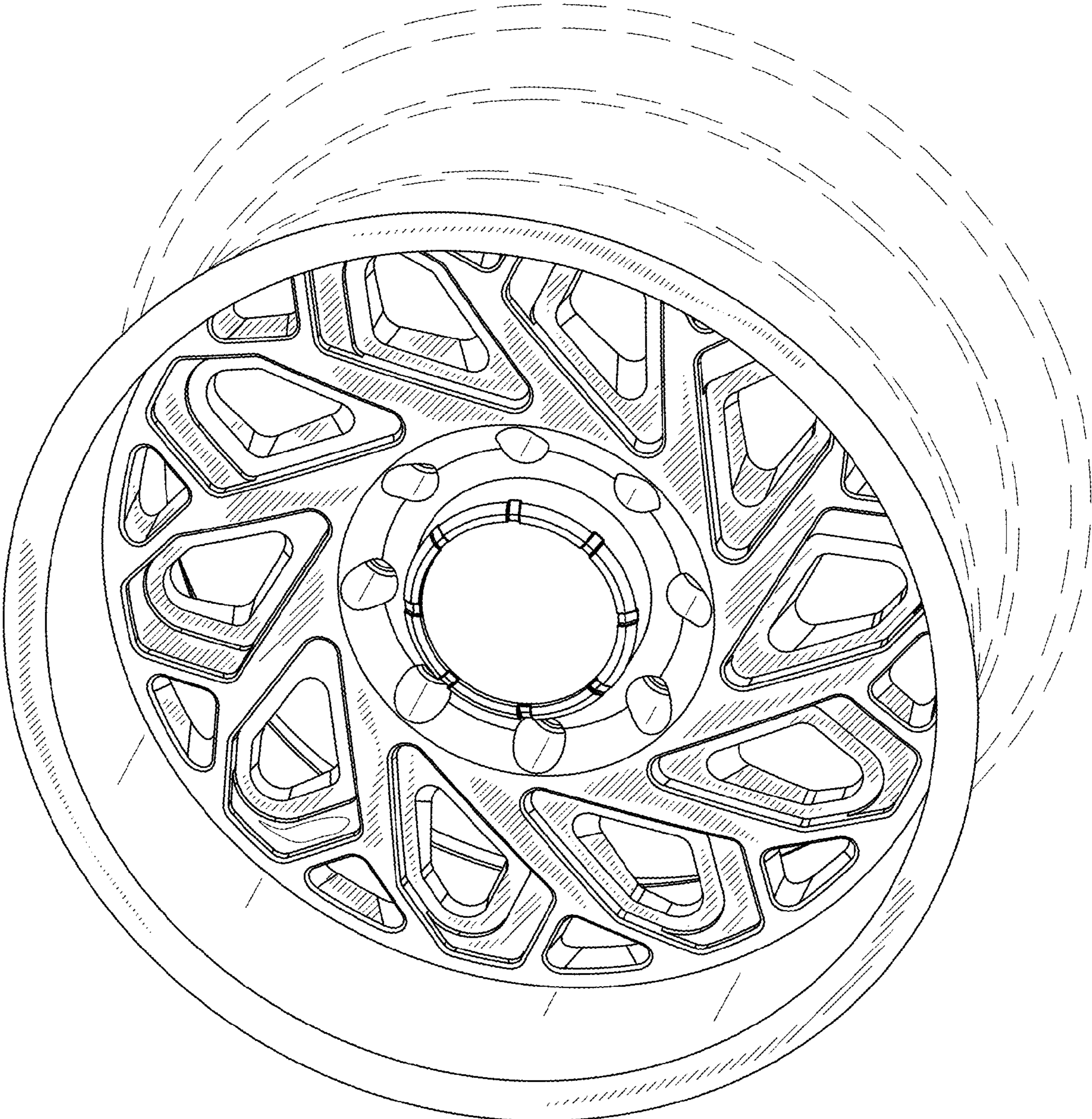


FIG. 1

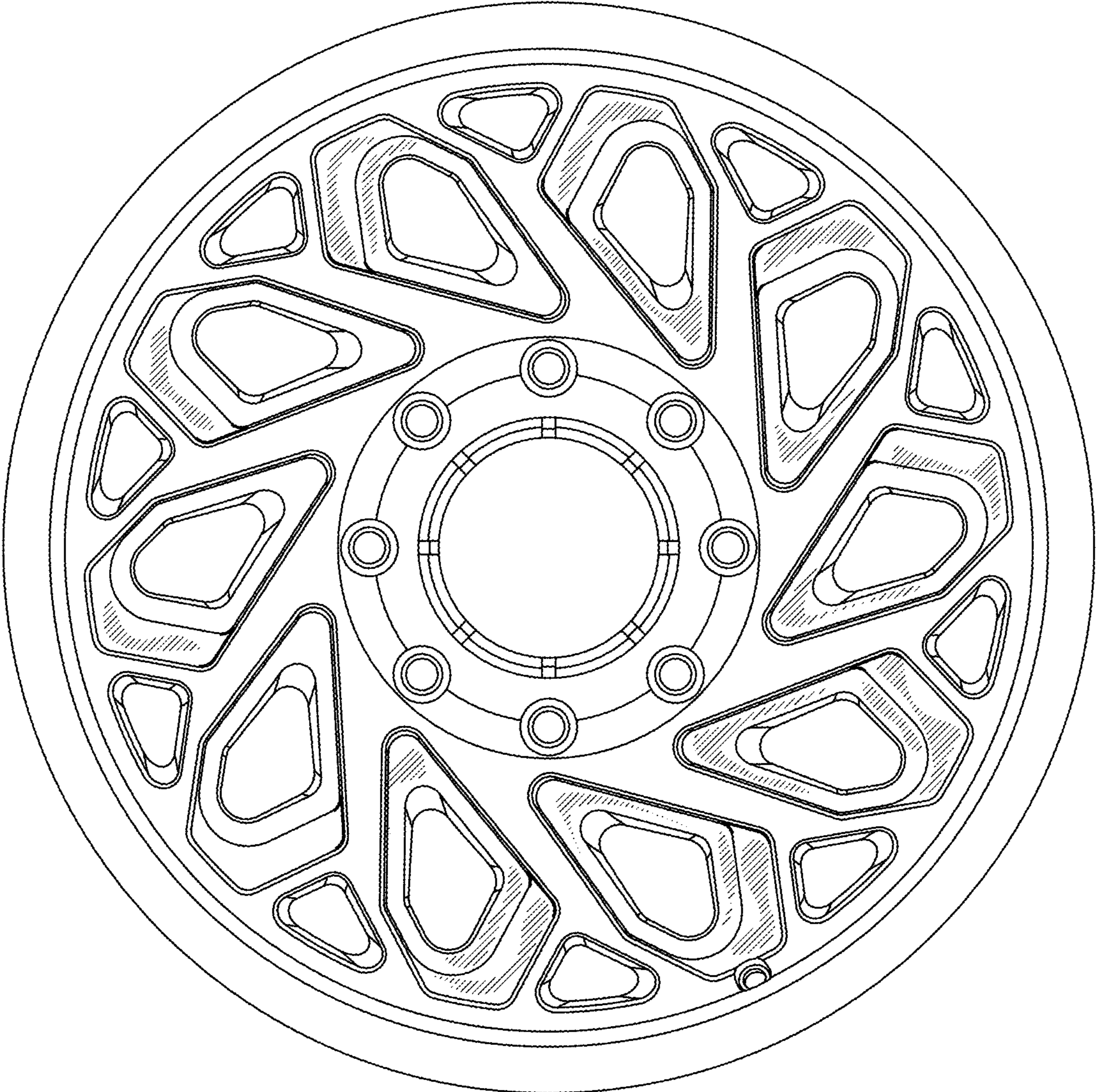


FIG. 2

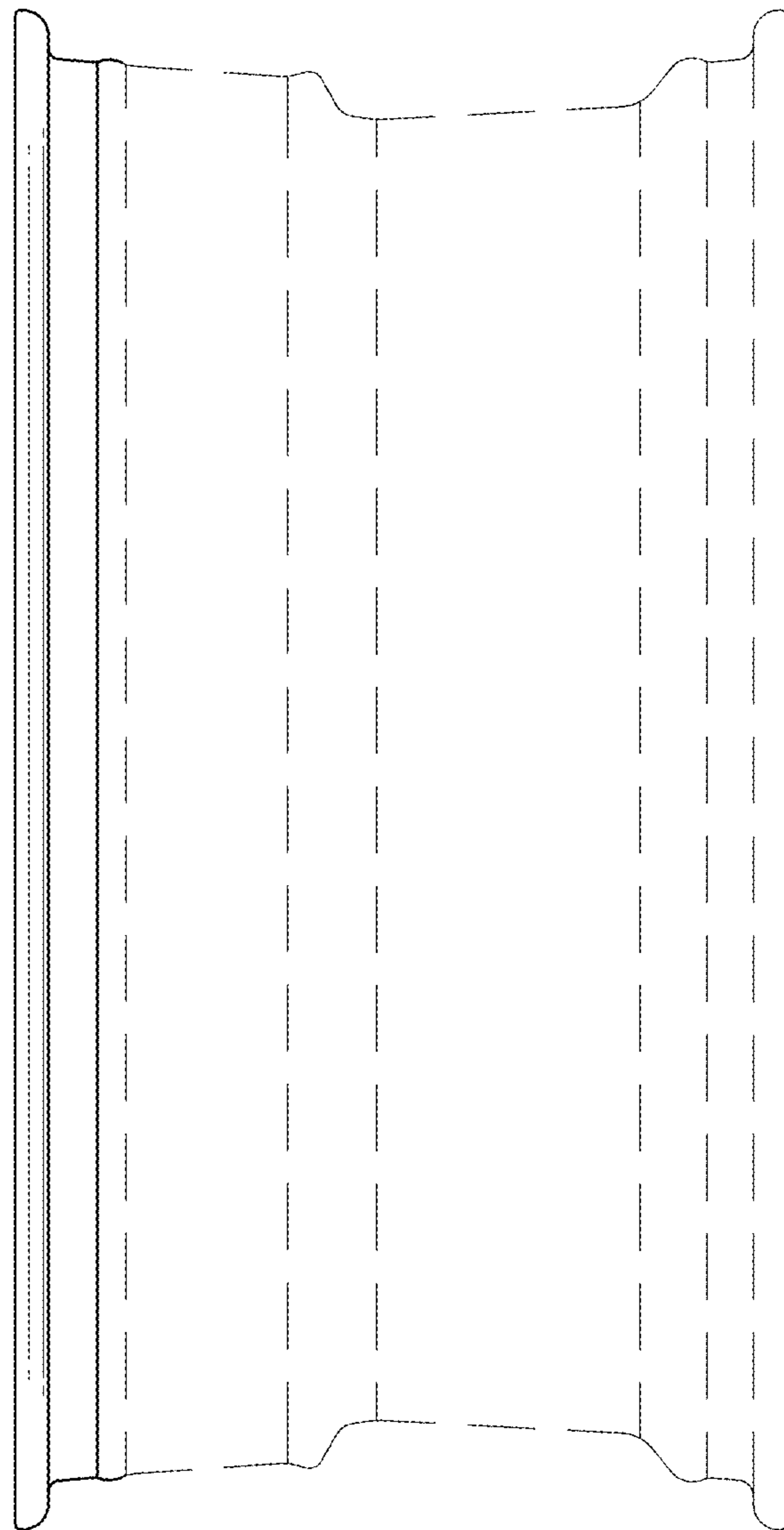


FIG. 3