



US00D938337S

(12) **United States Design Patent**
Podlovits

(10) **Patent No.:** **US D938,337 S**

(45) **Date of Patent:** **** Dec. 14, 2021**

(54) **WHEEL FRONT FACE**

(71) Applicant: **Joseph F. Podlovits**, Brea, CA (US)

(72) Inventor: **Joseph F. Podlovits**, Brea, CA (US)

(73) Assignee: **WHEEL GROUP HOLDINGS, LLC**,
Ontario, CA (US)

(**) Term: **15 Years**

(21) Appl. No.: **29/753,547**

(22) Filed: **Sep. 30, 2020**

(51) **LOC (13) Cl.** **12-16**

(52) **U.S. Cl.**
USPC **D12/209**

(58) **Field of Classification Search**
USPC D12/204-213; D21/563
CPC B60B 7/00; B60B 7/02; B60B 7/04; B60B
7/01; B60B 7/06; B60B 3/02; B60B 3/04;
B60B 3/06; B60B 3/10; B60B 1/00;
B60B 1/08; B60B 1/10; B60B 1/12
See application file for complete search history.

(56) **References Cited**

U.S. PATENT DOCUMENTS

D269,081 S *	5/1983	Hayashi	D12/205
D522,439 S *	6/2006	Laengerer	D12/211
D572,186 S *	7/2008	Viandante	D12/211
D655,234 S *	3/2012	Zhao	D12/211
D670,225 S *	11/2012	Muller	D12/211
D701,158 S *	3/2014	Hodges	D12/211
D708,109 S *	7/2014	Hodges	D12/209

D723,993 S *	3/2015	Zhao	D12/209
D726,087 S *	4/2015	Breyton	D12/211
D727,233 S *	4/2015	Kong	D12/209
D748,560 S *	2/2016	Simm	D12/211
D765,007 S *	8/2016	Chung	D12/211
D766,154 S *	9/2016	Perini	D12/209
D793,938 S *	8/2017	Yang	D12/209
D817,842 S *	5/2018	Chung	D12/209
D860,914 S *	9/2019	Han	D12/211
D864,079 S *	10/2019	Rueckheim	D12/211
D884,574 S *	5/2020	Junghans	D12/209
D886,021 S *	6/2020	Khachatryan	D12/209
D892,017 S *	8/2020	Han	D12/209
D893,389 S *	8/2020	Liu	D12/209
D908,065 S *	1/2021	Mukti	D12/209
D915,984 S *	4/2021	Chu	D12/209
D921,553 S *	6/2021	Williams	D12/209

* cited by examiner

Primary Examiner — Stacia A Cadmus

(74) *Attorney, Agent, or Firm* — Law Offices of S.J.
Christine Yang

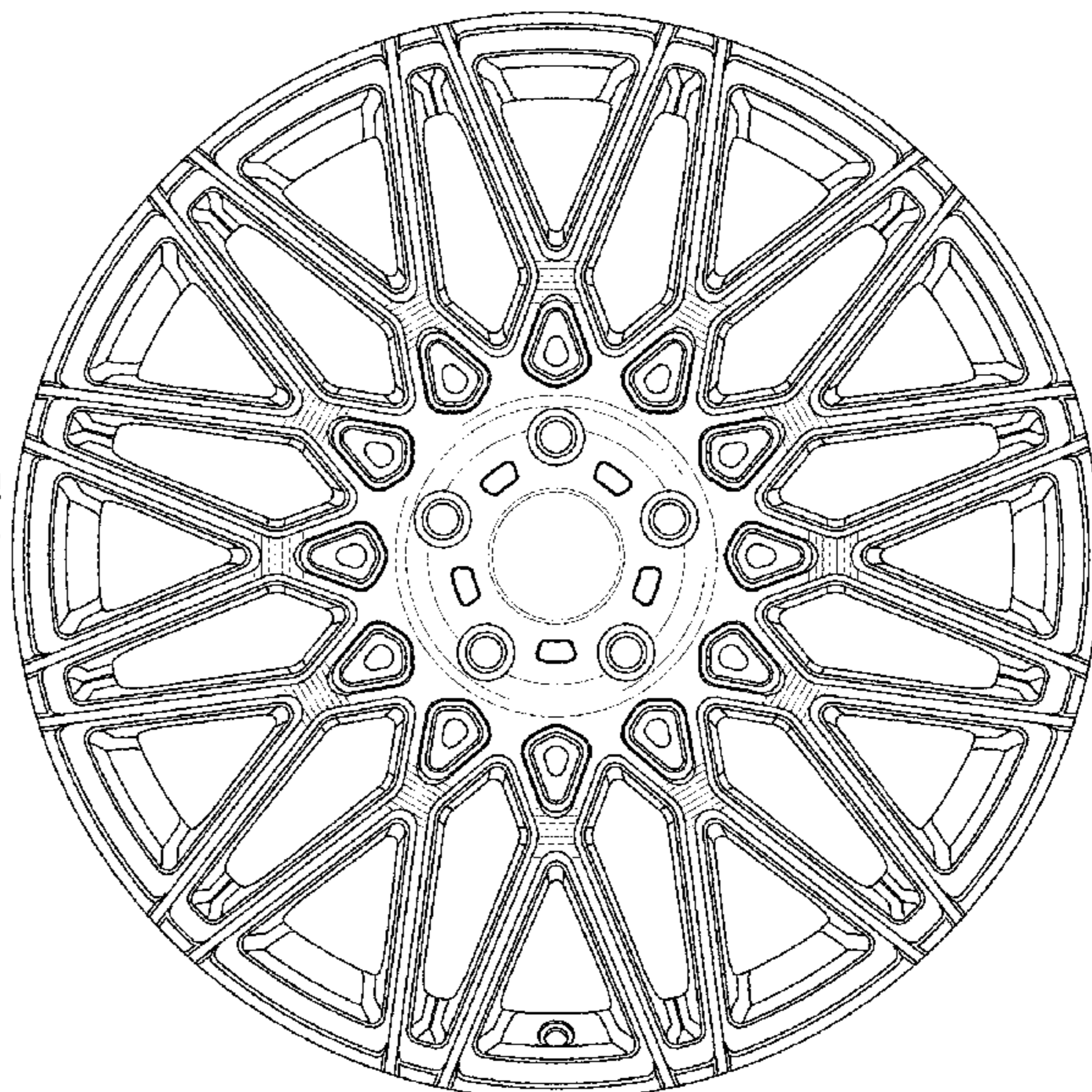
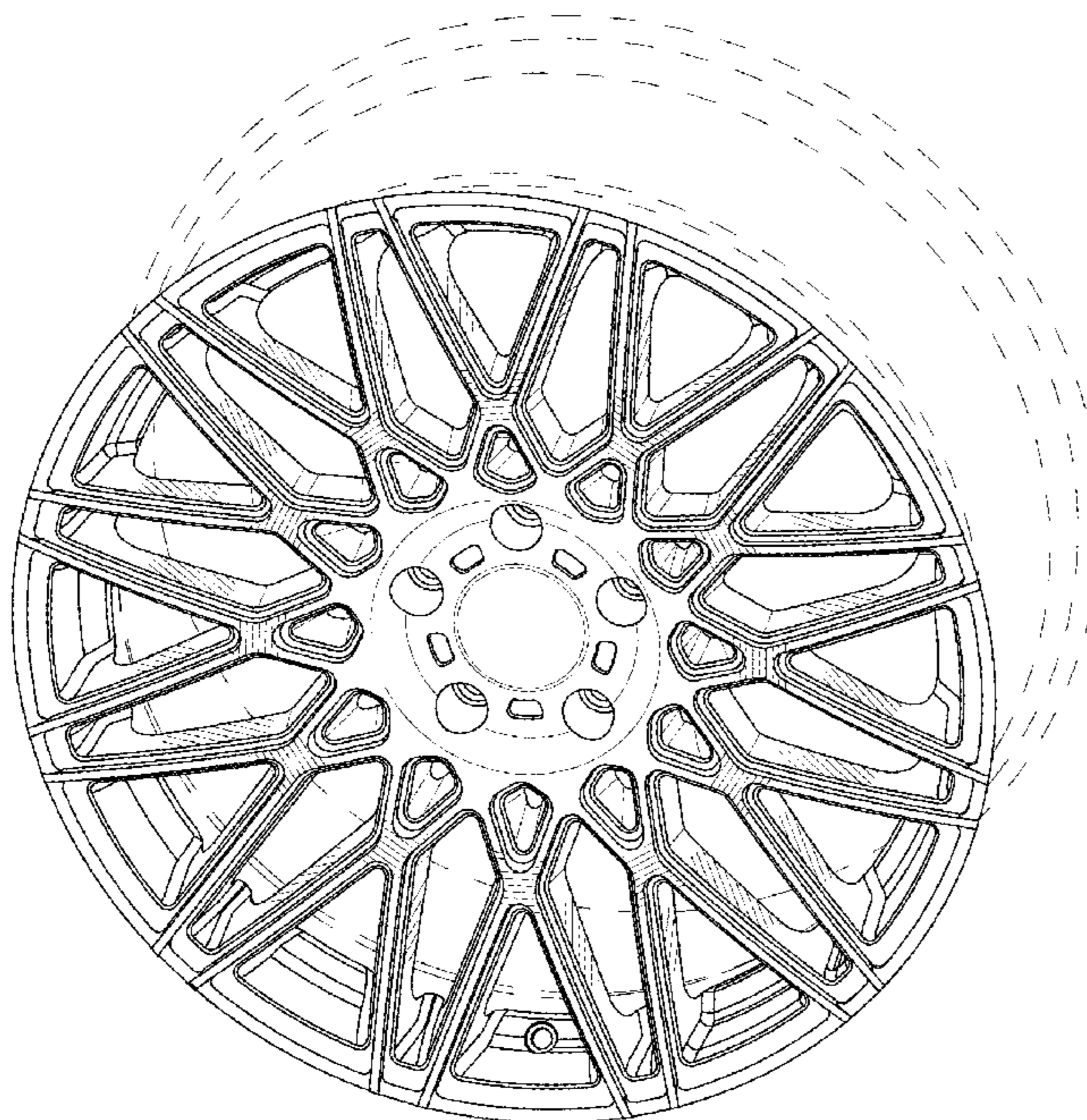
(57) **CLAIM**

The ornamental design for a wheel front face, as shown and described.

DESCRIPTION

FIG. 1 is a perspective view of a wheel front face showing a new design.
FIG. 2 is a front view of the wheel front face of FIG. 1; and,
FIG. 3 is a side view of the wheel front face of FIG. 1.
In the drawings, the broken lines depict portions of the vehicle wheel and form no part of the claimed design.

1 Claim, 3 Drawing Sheets



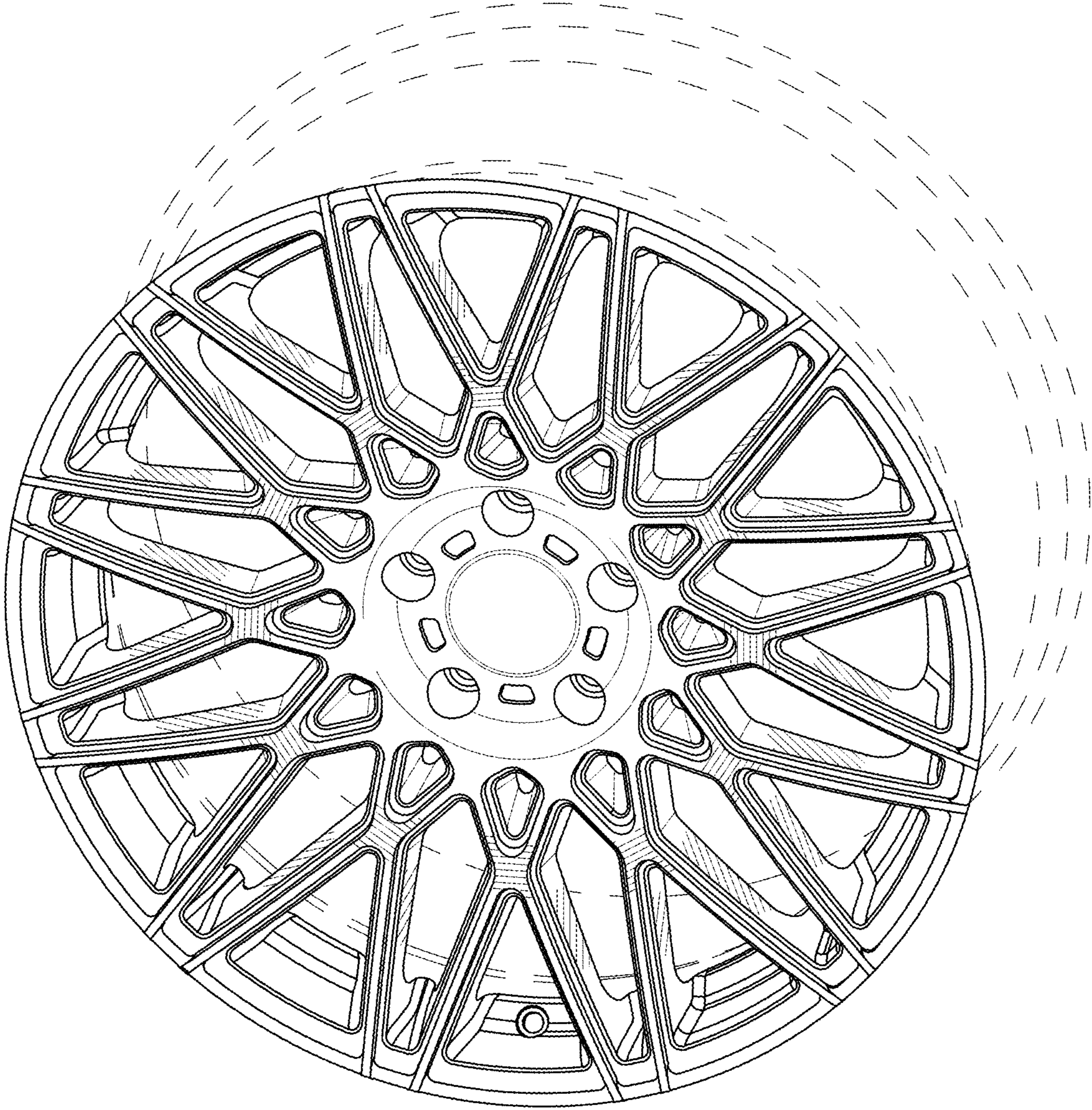


FIG. 1

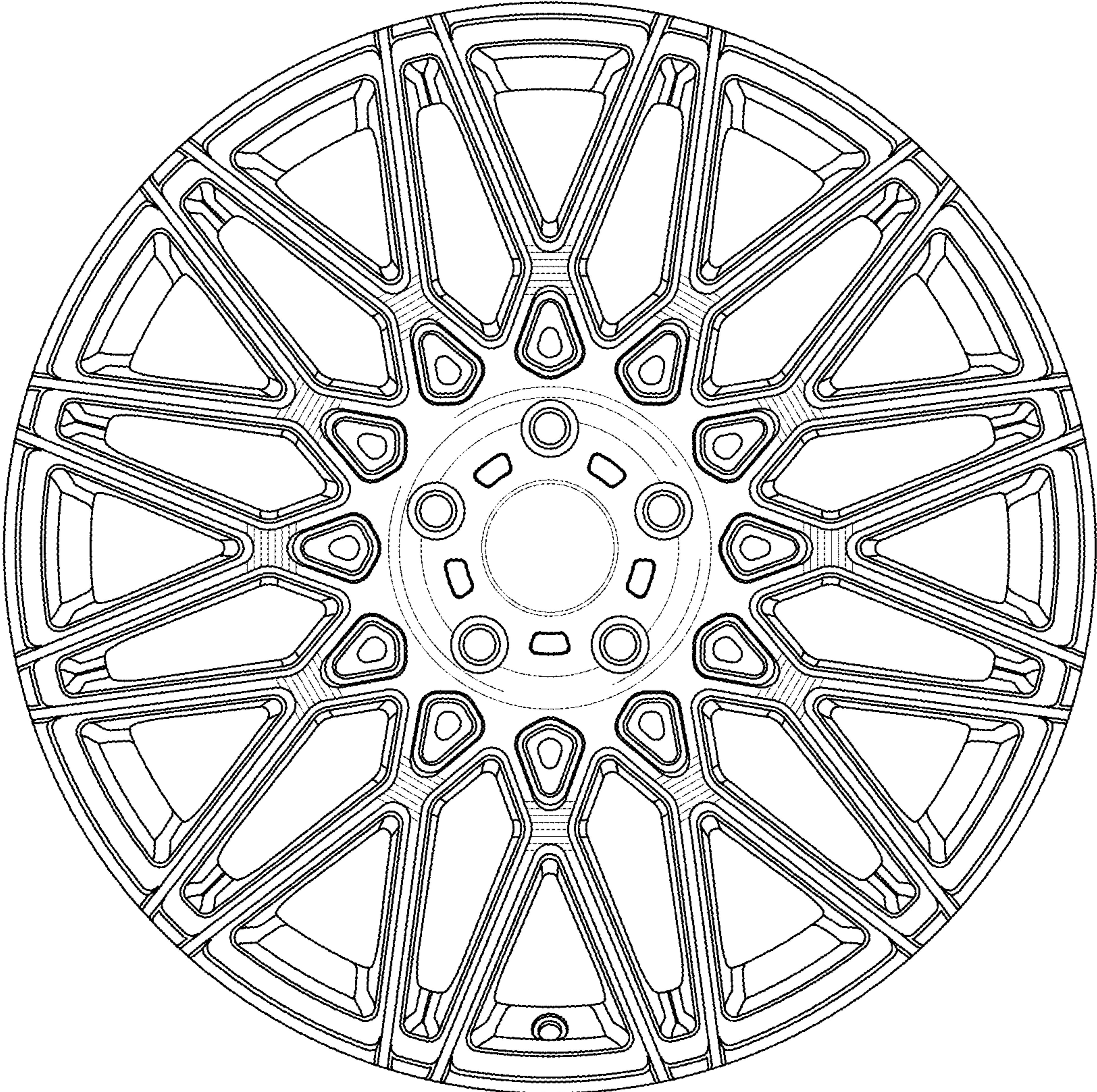


FIG. 2

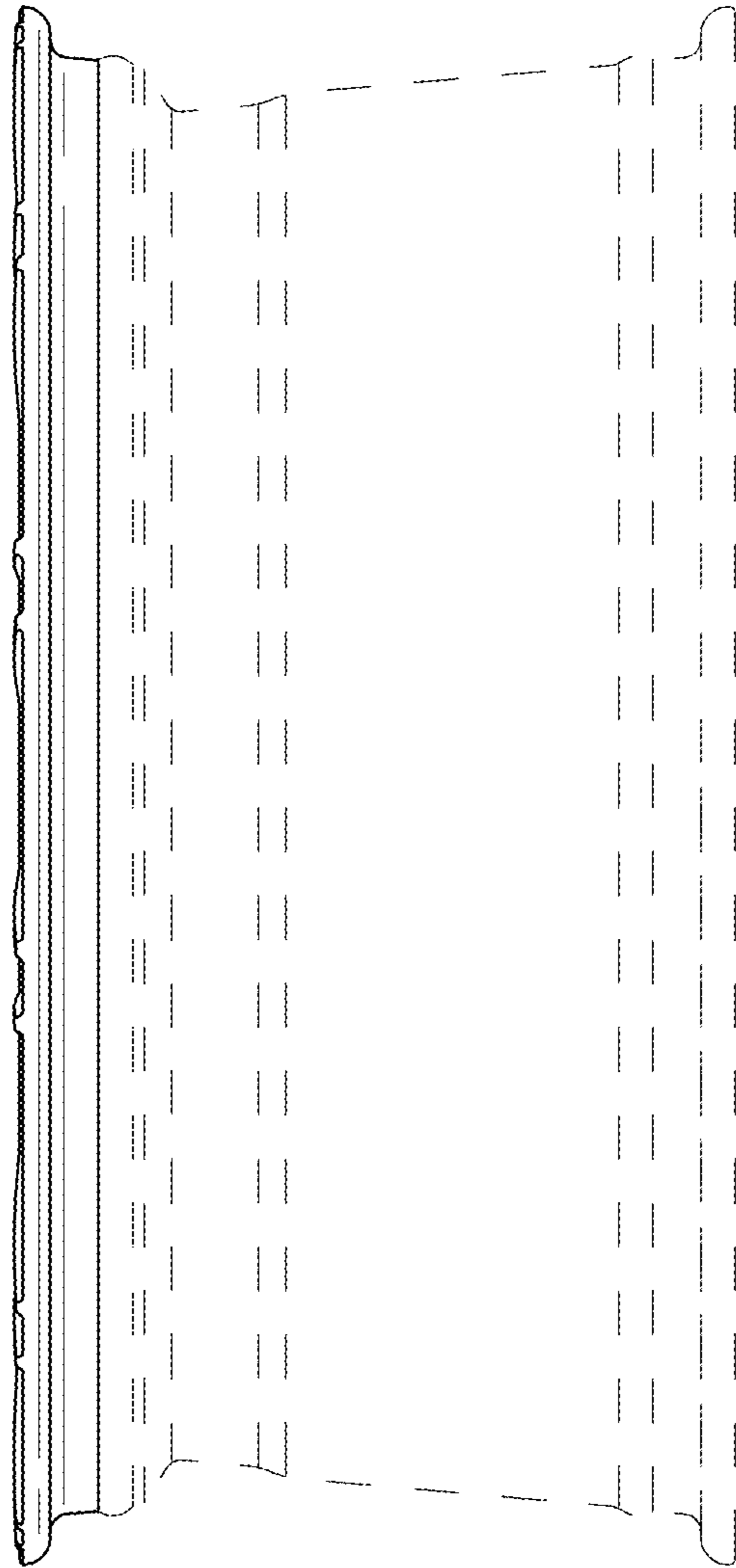


FIG. 3