



US00D938336S

(12) **United States Design Patent**
Podlovits

(10) **Patent No.:** **US D938,336 S**

(45) **Date of Patent:** **** Dec. 14, 2021**

(54) **WHEEL FRONT FACE**

(71) Applicant: **Joseph F. Podlovits**, Brea, CA (US)

(72) Inventor: **Joseph F. Podlovits**, Brea, CA (US)

(73) Assignee: **WHEEL GROUP HOLDINGS, LLC**,
Ontario, CA (US)

(**) Term: **15 Years**

(21) Appl. No.: **29/753,545**

(22) Filed: **Sep. 30, 2020**

(51) **LOC (13) Cl.** **12-16**

(52) **U.S. Cl.**
USPC **D12/209**

(58) **Field of Classification Search**
USPC D12/204–213; D21/563
CPC B60B 7/00; B60B 7/02; B60B 7/04; B60B
7/01; B60B 7/06; B60B 3/02; B60B 3/04;
B60B 3/06; B60B 3/10; B60B 1/00;
B60B 1/08; B60B 1/10; B60B 1/12
See application file for complete search history.

(56) **References Cited**

U.S. PATENT DOCUMENTS

D454,327 S *	3/2002	Bux	D12/211
D595,632 S *	7/2009	Hernandez	D12/211
D760,142 S *	6/2016	Chu	D12/211
D778,799 S *	2/2017	Gallert	D12/211
D786,766 S *	5/2017	Rueckheim	D12/209
D825,423 S *	8/2018	Henderson	D12/209
D830,933 S *	10/2018	Zhao	D12/209

D831,555 S *	10/2018	Zhao	D12/209
D840,895 S *	2/2019	Luo	D12/209
D840,896 S *	2/2019	Schmolz	D12/209
D858,406 S *	9/2019	Johnson	D12/209
D865,622 S *	11/2019	Han	D12/209
D865,624 S *	11/2019	Han	D12/209
D889,364 S *	7/2020	Han	D12/209
D892,017 S *	8/2020	Han	D12/209
D915,983 S *	4/2021	Chu	D12/209
D915,984 S *	4/2021	Chu	D12/209
D915,987 S *	4/2021	Wittinger	D12/209
D921,553 S *	6/2021	Williams	D12/209
D922,927 S *	6/2021	Kaoud	D12/209
D928,060 S *	8/2021	Han	D12/209
2002/0158504 A1 *	10/2002	Ito	B60B 3/06 301/65

* cited by examiner

Primary Examiner — Stacia A Cadmus

(74) *Attorney, Agent, or Firm* — Law Offices of S.J.
Christine Yang

(57) **CLAIM**

The ornamental design for a wheel front face, as shown and described.

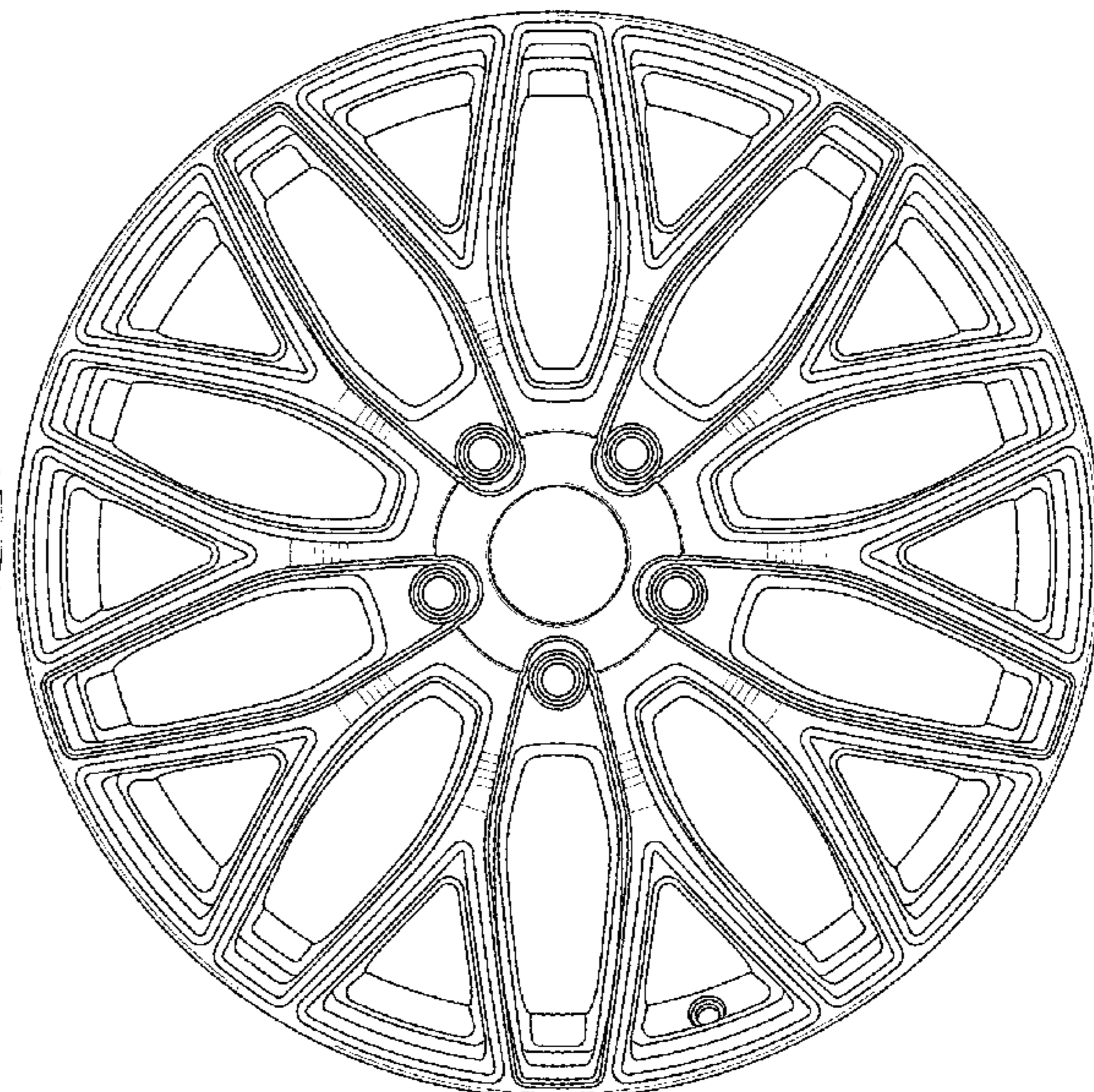
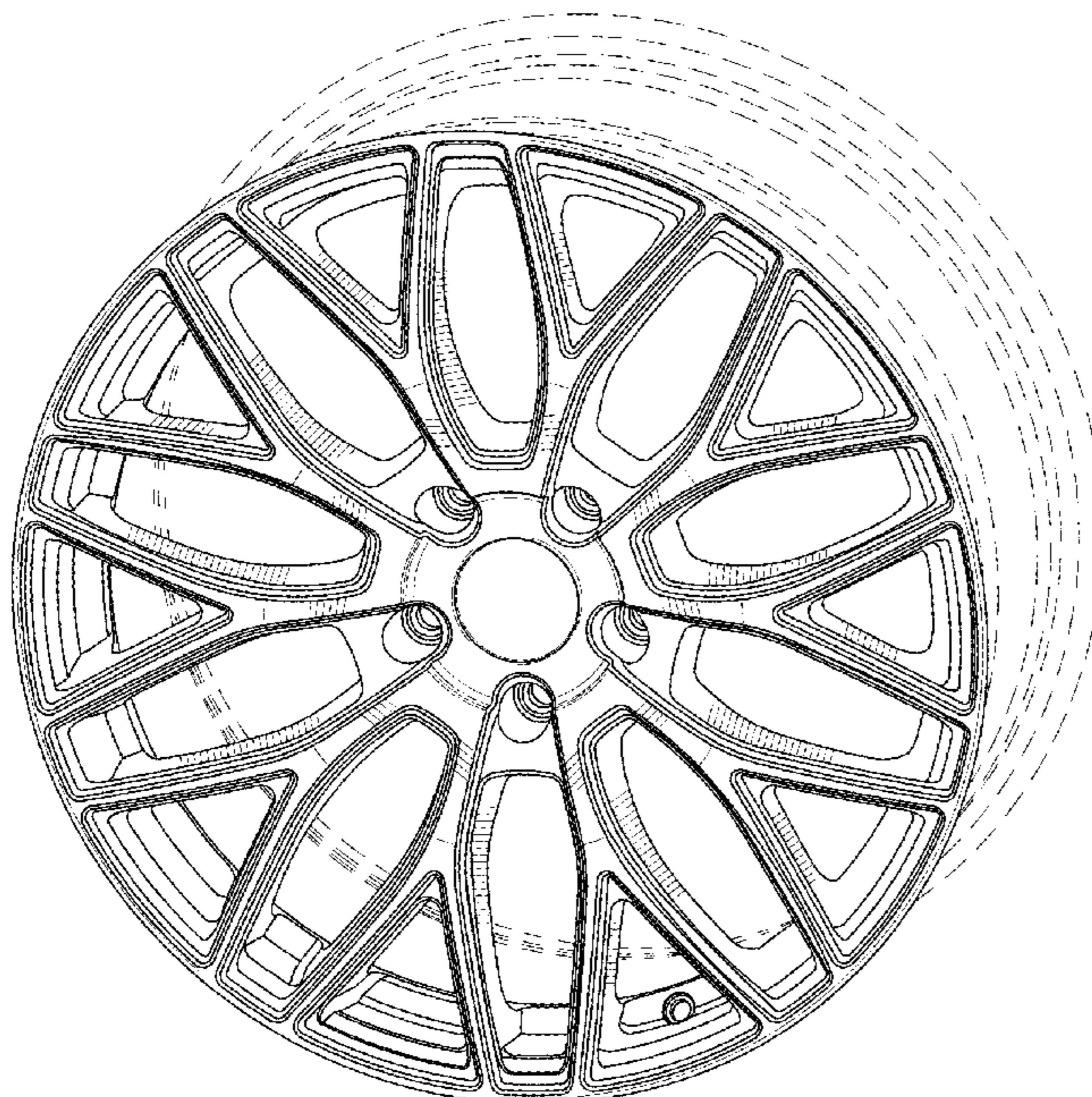
DESCRIPTION

FIG. 1 is a perspective view of a wheel front face showing a new design.

FIG. 2 is a front view of the wheel front face of FIG. 1; and, FIG. 3 is a side view of the wheel front face of FIG. 1.

In the drawings, the broken lines depict portions of the vehicle wheel and form no part of the claimed design.

1 Claim, 3 Drawing Sheets



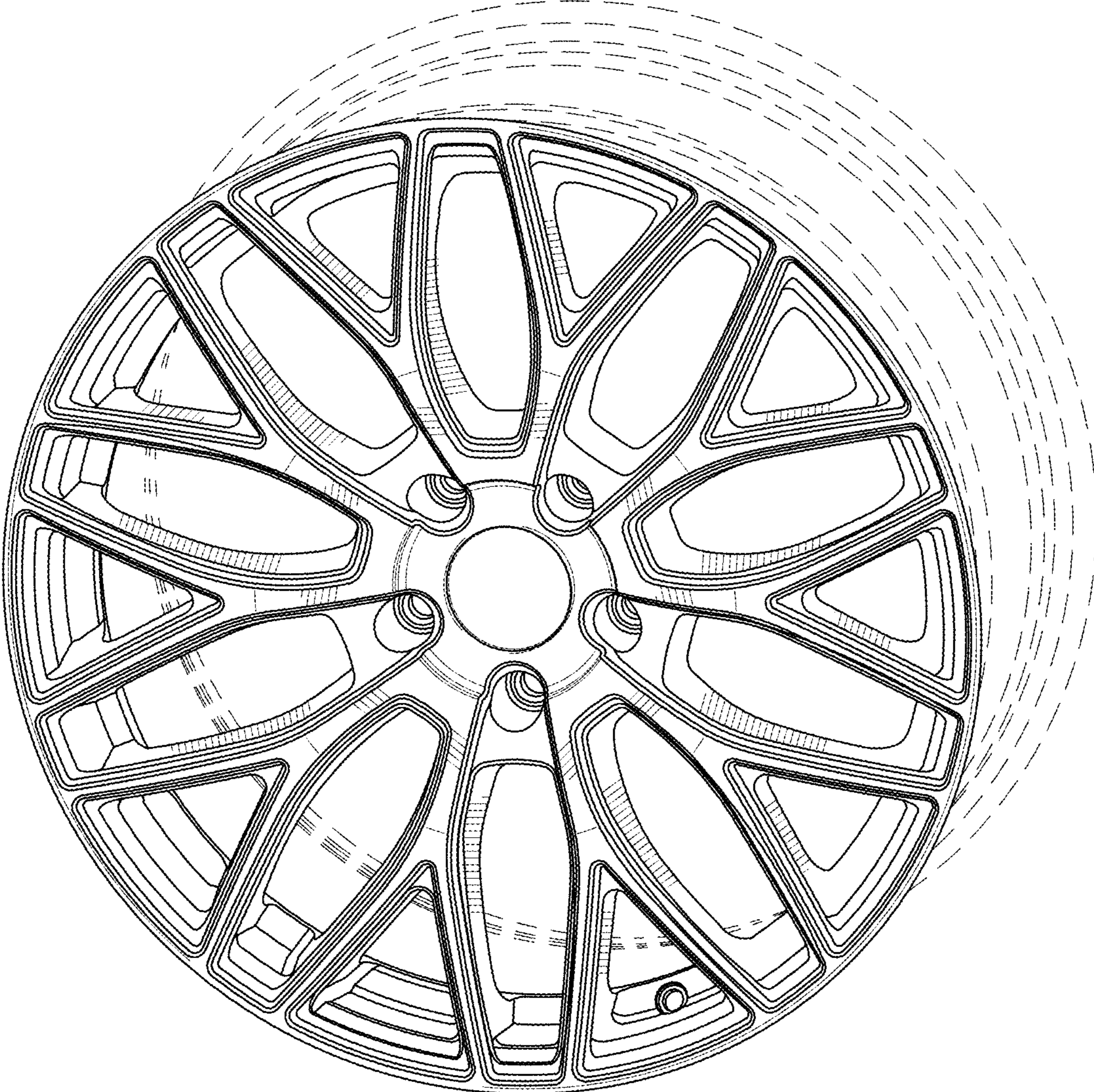


FIG. 1

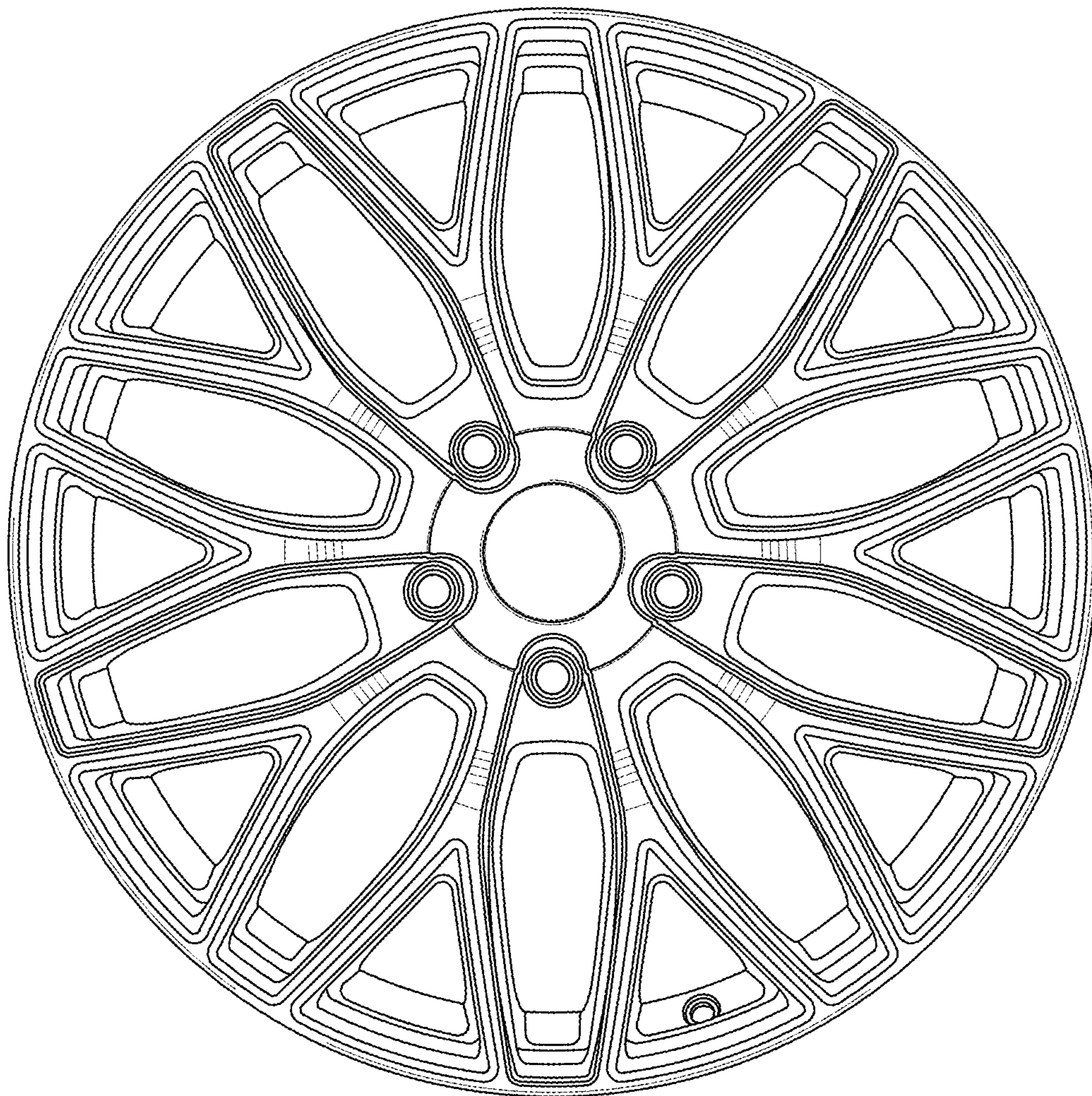


FIG. 2

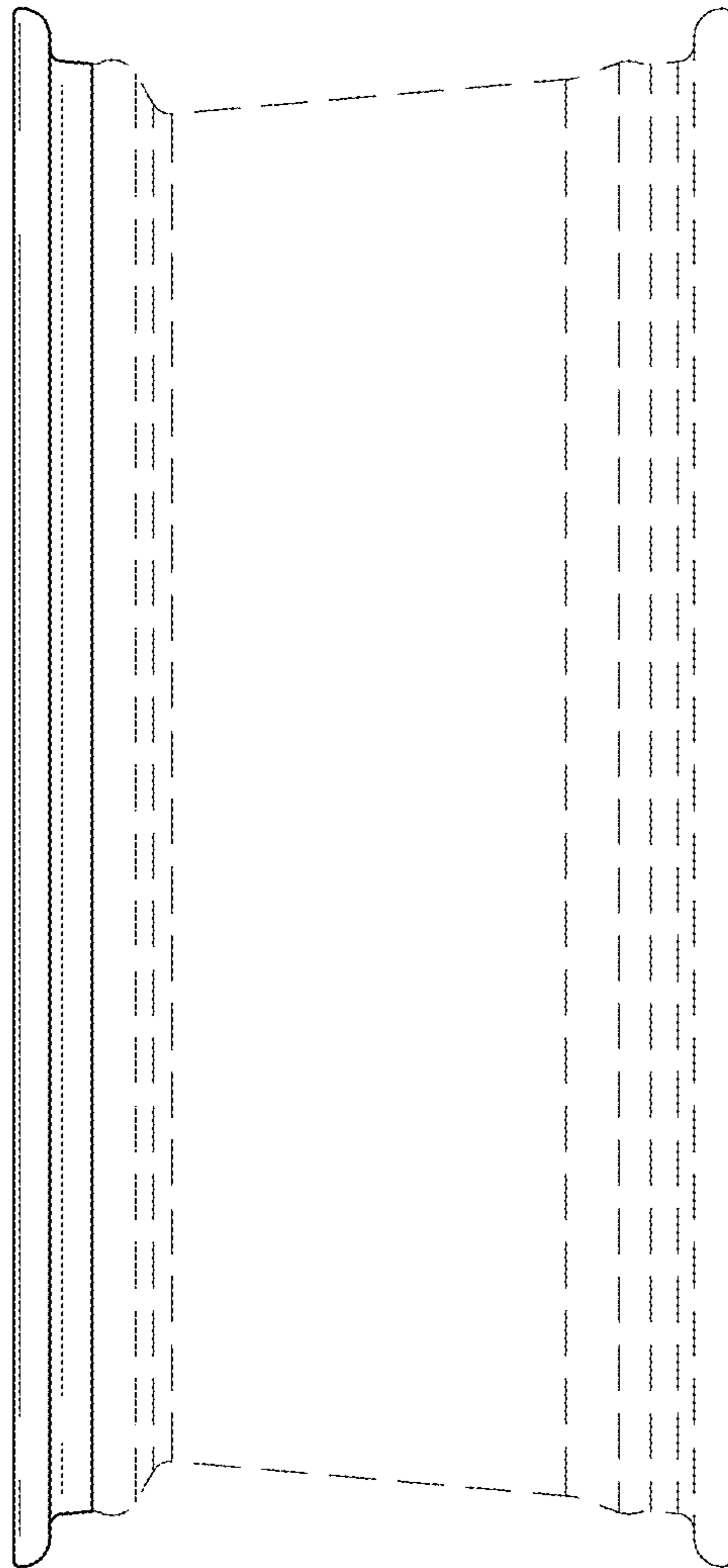


FIG. 3