



US00D938334S

(12) **United States Design Patent**
Lee

(10) **Patent No.:** **US D938,334 S**

(45) **Date of Patent:** **** Dec. 14, 2021**

(54) **AUTOMOTIVE WHEEL**

(71) Applicant: **MKW Alloy, Inc.**, City of Industry, CA (US)

(72) Inventor: **Kevin Lee**, Yorba Linda, CA (US)

(73) Assignee: **MKW ALLOY, INC.**, City of Industry, CA (US)

(**) Term: **15 Years**

(21) Appl. No.: **29/745,222**

(22) Filed: **Aug. 4, 2020**

(51) **LOC (13) Cl.** **12-16**

(52) **U.S. Cl.**
USPC **D12/209**

(58) **Field of Classification Search**
USPC D12/204–213; D21/563
CPC B60B 7/00; B60B 7/02; B60B 7/04; B60B 7/01; B60B 7/06; B60B 3/02; B60B 3/04; B60B 3/06; B60B 3/10; B60B 1/00; B60B 1/08; B60B 1/10; B60B 1/12
See application file for complete search history.

(56) **References Cited**

U.S. PATENT DOCUMENTS

D706,196 S * 6/2014 Lee D12/211
D802,512 S * 11/2017 Kong D12/211
D828,270 S * 9/2018 Aslam D12/211

D833,943 S * 11/2018 Chung D12/209
D838,647 S * 1/2019 Han D12/209
D856,255 S * 8/2019 Johnson D12/209
D863,177 S * 10/2019 Gregory D12/209
D870,630 S * 12/2019 Ash D12/209
D870,632 S * 12/2019 Ash D12/209
D871,300 S * 12/2019 Ash D12/209
D877,676 S * 3/2020 Lee D12/209
D885,295 S * 5/2020 Han D12/211
D889,368 S * 7/2020 Lee D12/209
D889,372 S * 7/2020 Williams D12/211
D894,076 S * 8/2020 Lee D12/209
D911,245 S * 2/2021 Chung D12/211
D913,183 S * 3/2021 Aslam D12/211

* cited by examiner

Primary Examiner — Stacia A Cadmus

(74) *Attorney, Agent, or Firm* — Ahn IP Law

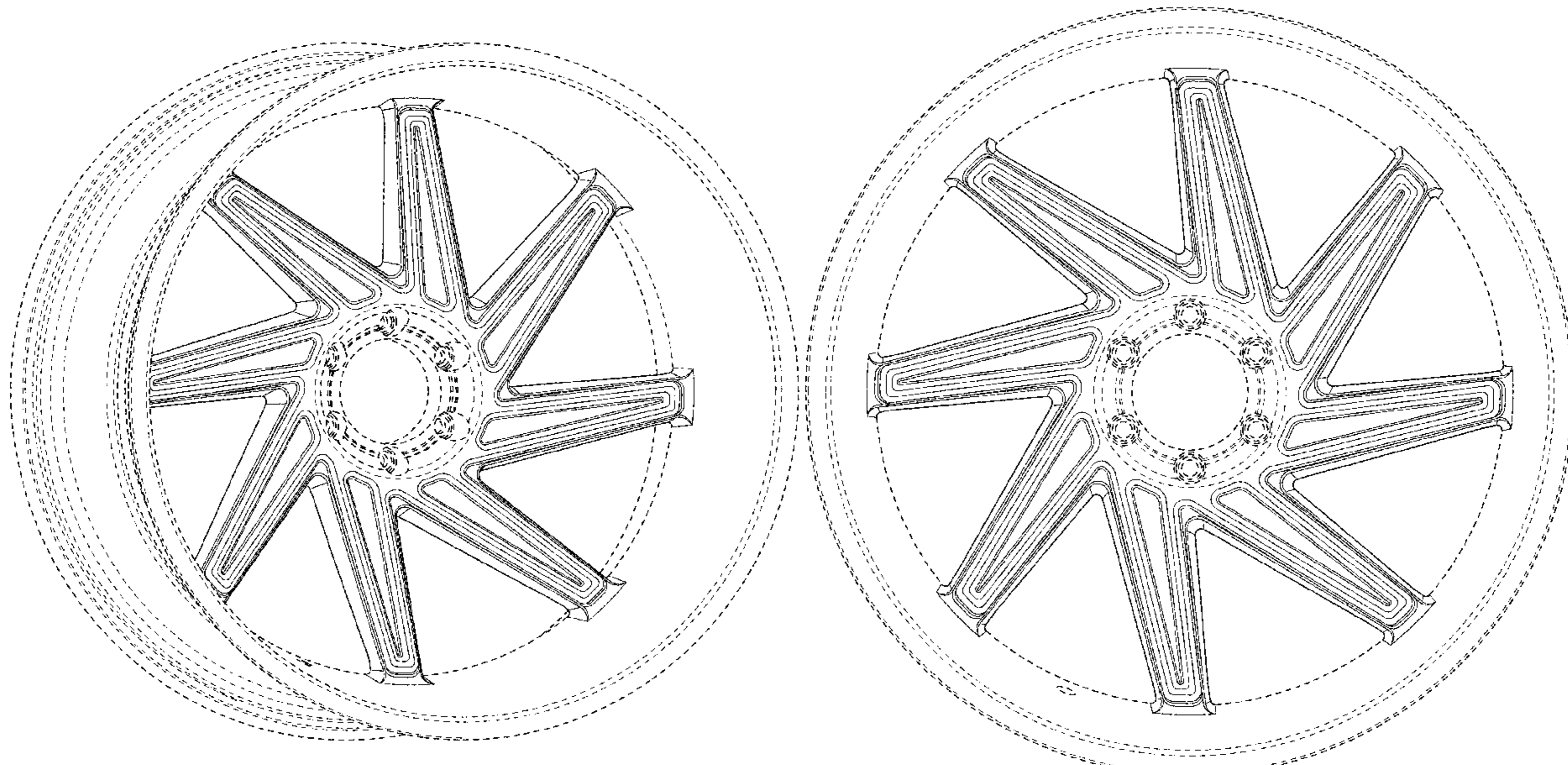
(57) **CLAIM**

The ornamental design for an automotive wheel, as shown and described.

DESCRIPTION

FIG. 1 is a perspective view of an automotive wheel, showing my new design;
FIG. 2 is a front view thereof;
FIG. 3 is a perspective view of a second embodiment of an automotive wheel, showing my new design; and,
FIG. 4 is a front view of the wheel shown in FIG. 3.
In the drawings the broken lines depict portions of the wheel that form no part of the claimed design.

1 Claim, 4 Drawing Sheets



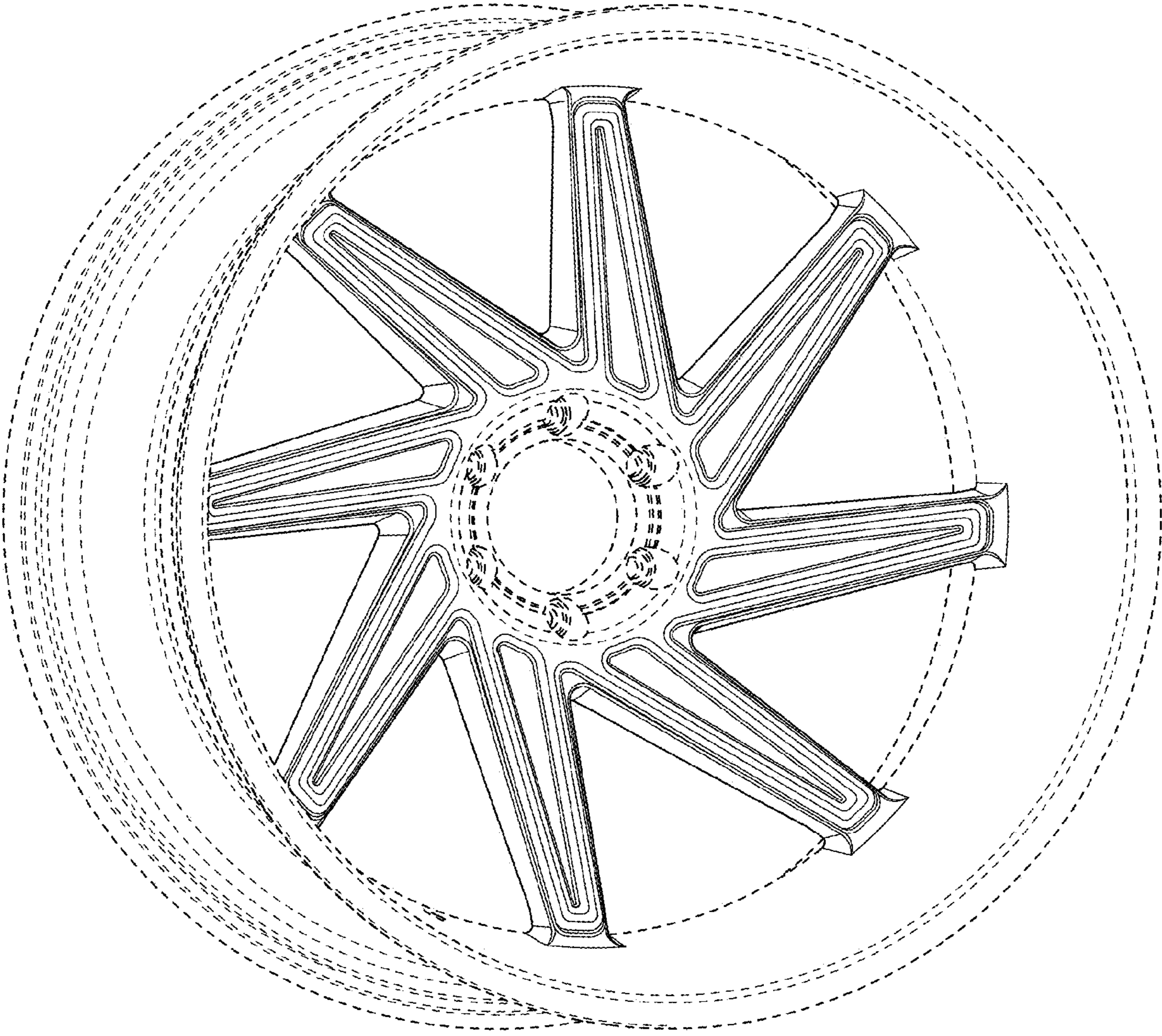


FIG. 1

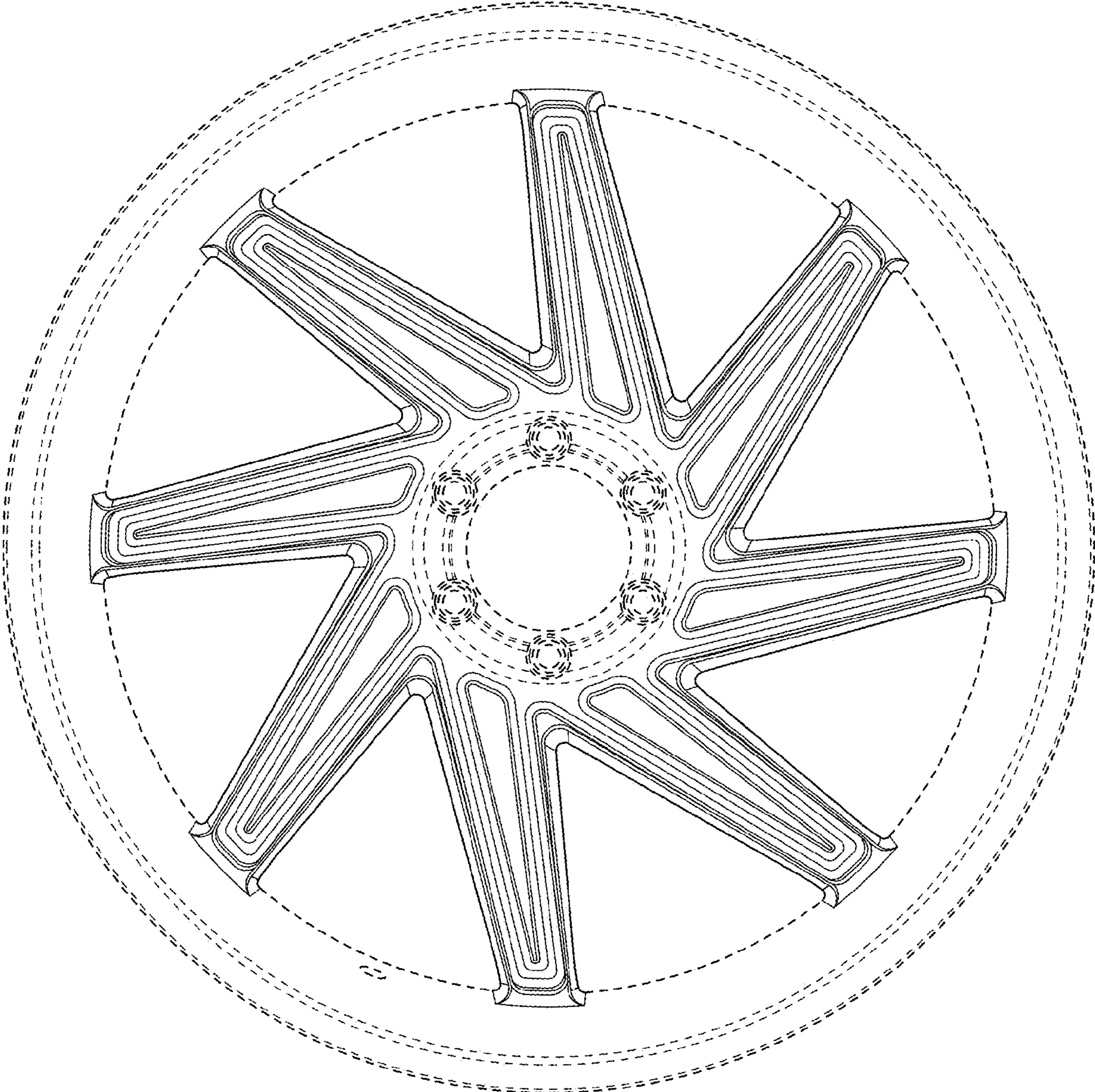


FIG. 2

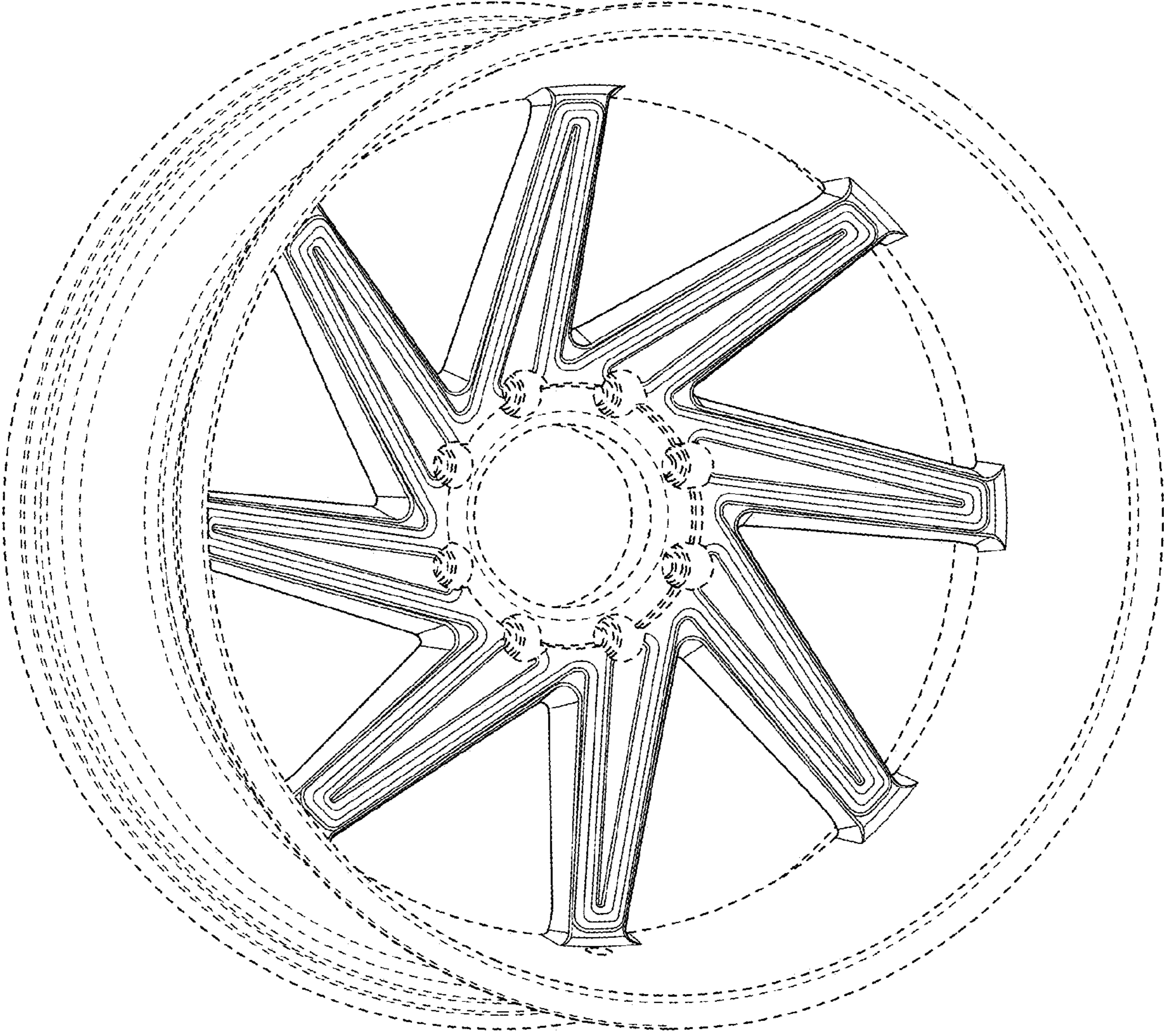


FIG. 3

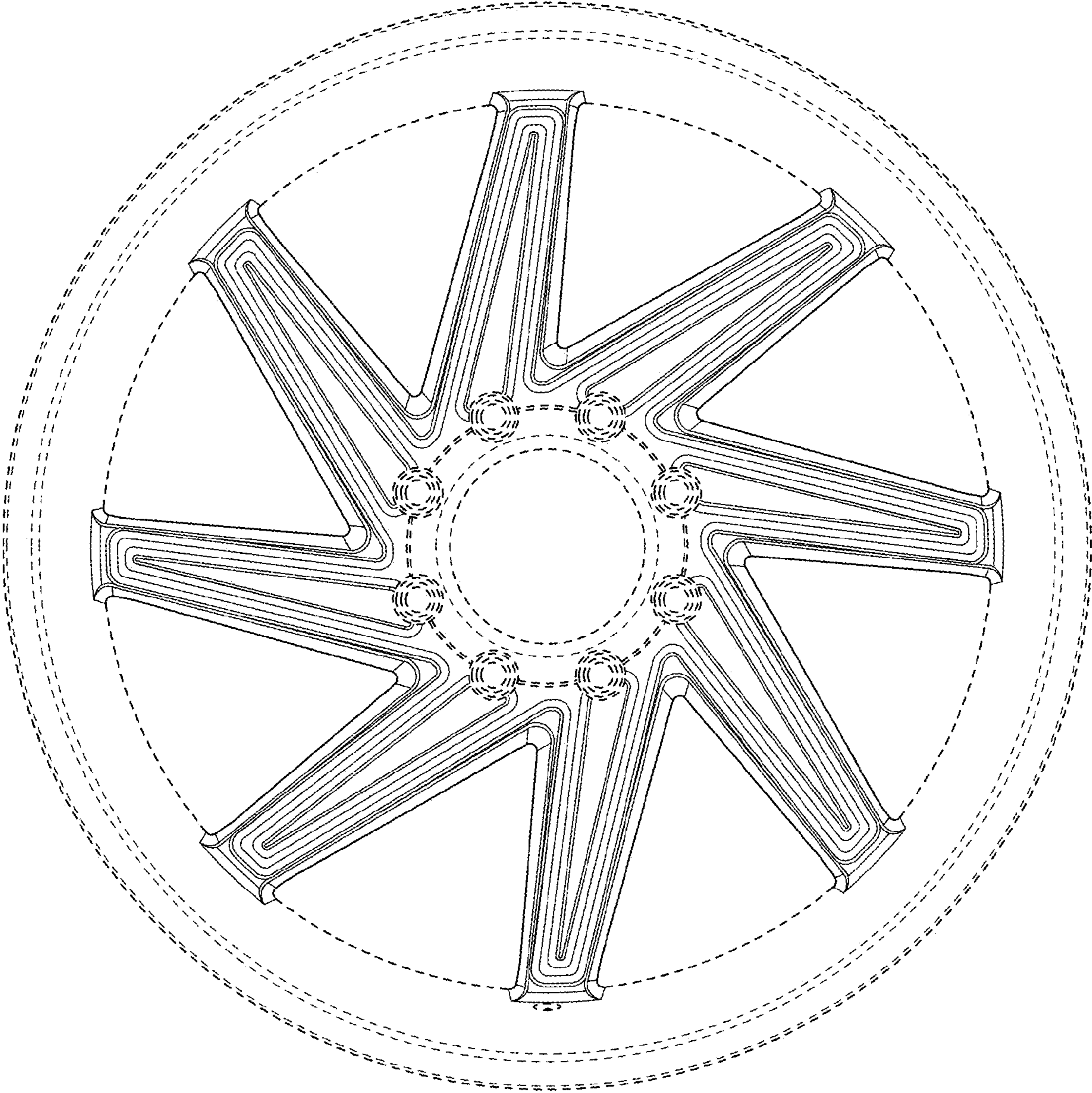


FIG. 4