



US00D938332S

(12) **United States Design Patent** (10) **Patent No.:** **US D938,332 S**
Xie (45) **Date of Patent:** **** Dec. 14, 2021**

(54) **INSTRUMENT PANEL FOR VEHICLES**

(71) Applicant: **Shenzhen Jiawei Trust Technology Co., LTD**, Shenzhen (CN)

(72) Inventor: **Zuce Xie**, Shenzhen (CN)

(**) Term: **15 Years**

(21) Appl. No.: **29/716,775**

(22) Filed: **Dec. 12, 2019**

(51) **LOC (13) Cl.** **12-16**

(52) **U.S. Cl.**
USPC **D12/192**

(58) **Field of Classification Search**
USPC D12/192, 415, 114, 345; D14/126, 125, D14/371, 373-377, 382, 451, 239, 127, D14/129, 204, 210, 341, 307, 336, 300, D14/358, 496; D15/17, 28, 14, 15, D15/22-26, 31, 33; D18/2, 4.1, 4.3, 4.4, D18/4.5, 4.6, 99; D10/65, 70, 75
CPC B60H 1/34; B60H 1/3407; B60H 1/3414; B60H 1/3435; B60H 1/3442; B60H 1/345; B60H 1/3457; B60H 2001/3464; B60H 2001/3471; B60H 2001/3478; B60H 2001/3485
See application file for complete search history.

(56) **References Cited**

U.S. PATENT DOCUMENTS

D469,093 S *	1/2003	Lin	D14/375
D495,709 S *	9/2004	Walker	D14/375
D536,630 S *	2/2007	Li	D10/65
D652,419 S *	1/2012	Chiu	D14/371
D693,751 S *	11/2013	Ali	D12/192
D697,062 S *	1/2014	Nagai	D14/307
D744,479 S *	12/2015	Haller	D14/336

D833,933 S *	11/2018	Gibson	D12/192
D837,118 S *	1/2019	Takada	D12/192
D849,622 S *	5/2019	Woodhouse	D12/192
D860,267 S *	9/2019	Wilkie	D15/28
D860,987 S *	9/2019	Allgaier	D14/336
D881,771 S *	4/2020	Xiong	D12/192
D886,027 S *	6/2020	Engelmann	D12/415
D897,253 S *	9/2020	Choi	D12/192
D899,108 S *	10/2020	Chen	D6/309
D906,205 S *	12/2020	Choi	D12/192
2018/0348517 A1 *	12/2018	Chen	G02B 27/0149
2019/0135110 A1 *	5/2019	Choi	B60K 37/02

* cited by examiner

Primary Examiner — Susan E Krakower

Assistant Examiner — Jerry Shiuian-Hua Hsu

(74) *Attorney, Agent, or Firm* — Prakash Nama; Global IP Services, PLLC

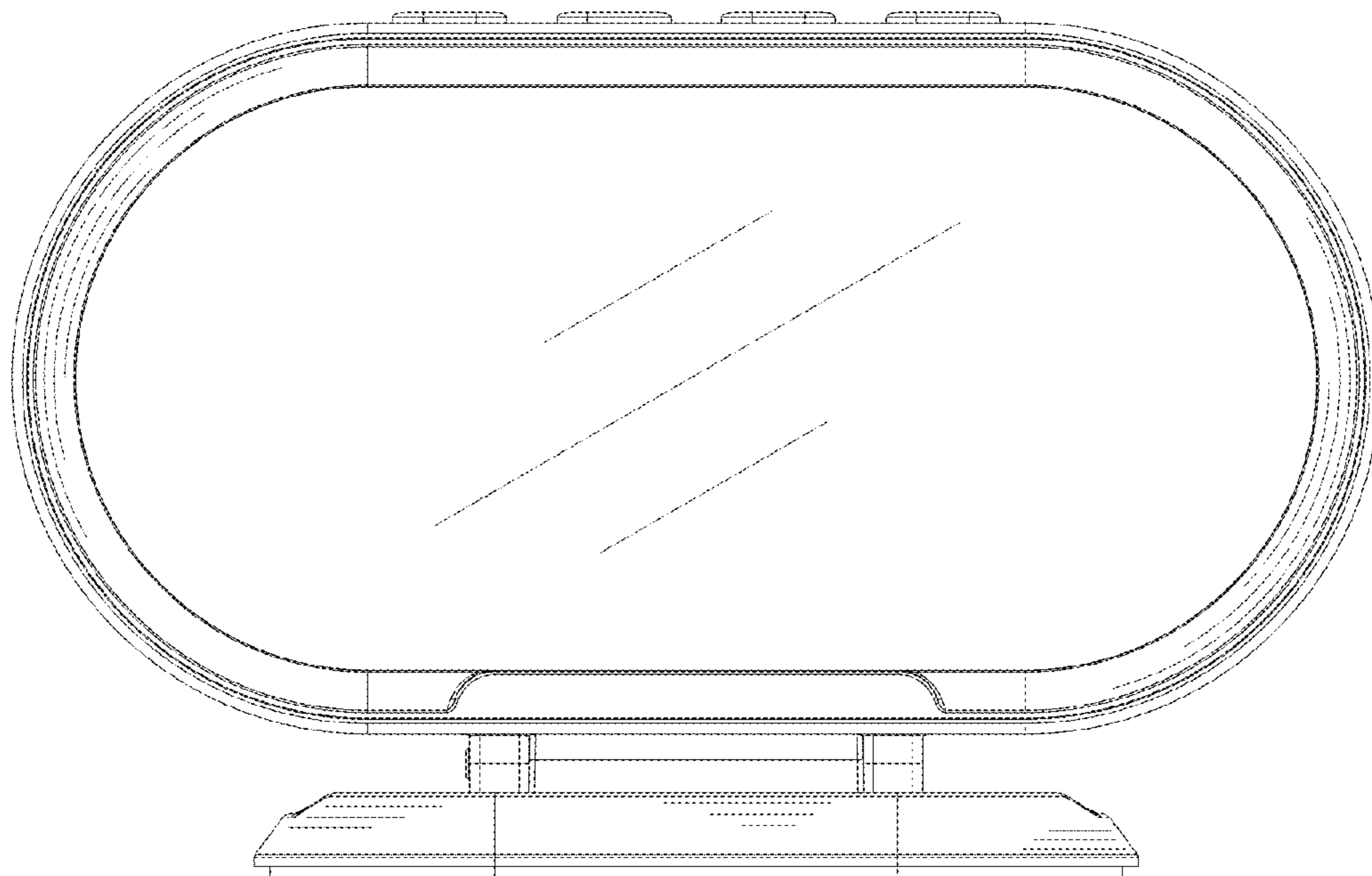
(57) **CLAIM**

The ornamental design for an instrument panel for vehicles, as shown and described.

DESCRIPTION

FIG. 1 is a front elevational view of an instrument panel for vehicles showing my new design;
FIG. 2 is a rear elevational view thereof;
FIG. 3 is a left side view thereof;
FIG. 4 is a right side view thereof;
FIG. 5 is a top plan view thereof;
FIG. 6 is a bottom plan view thereof;
FIG. 7 is a top, front, right perspective view thereof;
FIG. 8 is a bottom, front, left perspective view thereof;
FIG. 9 is a bottom, rear, left perspective view thereof; and,
FIG. 10 is a top, rear, right perspective view thereof.
The broken lines shown illustrate portions of the instrument panel for vehicles that form no part of the claimed design.

1 Claim, 5 Drawing Sheets



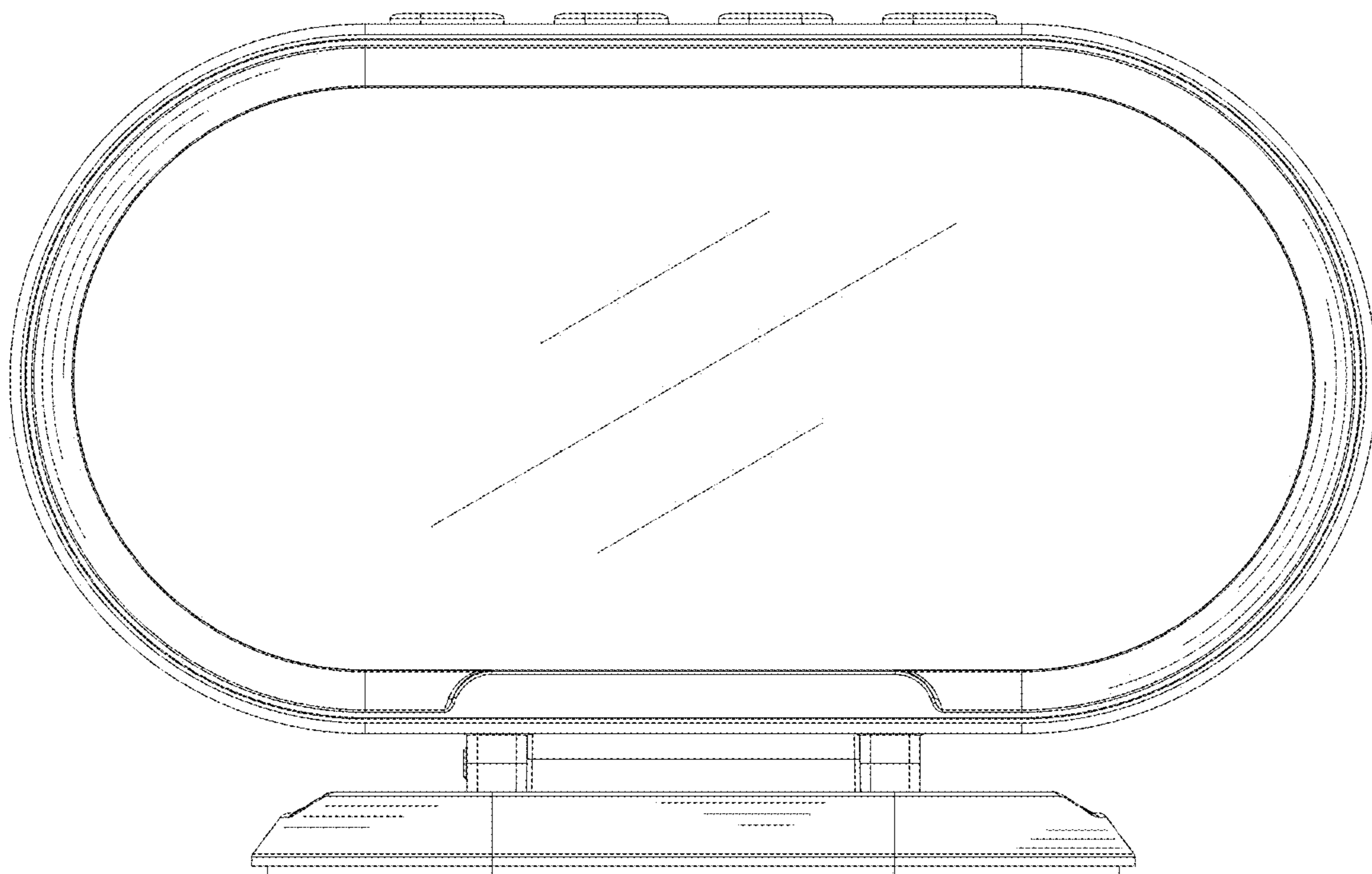


FIG. 1

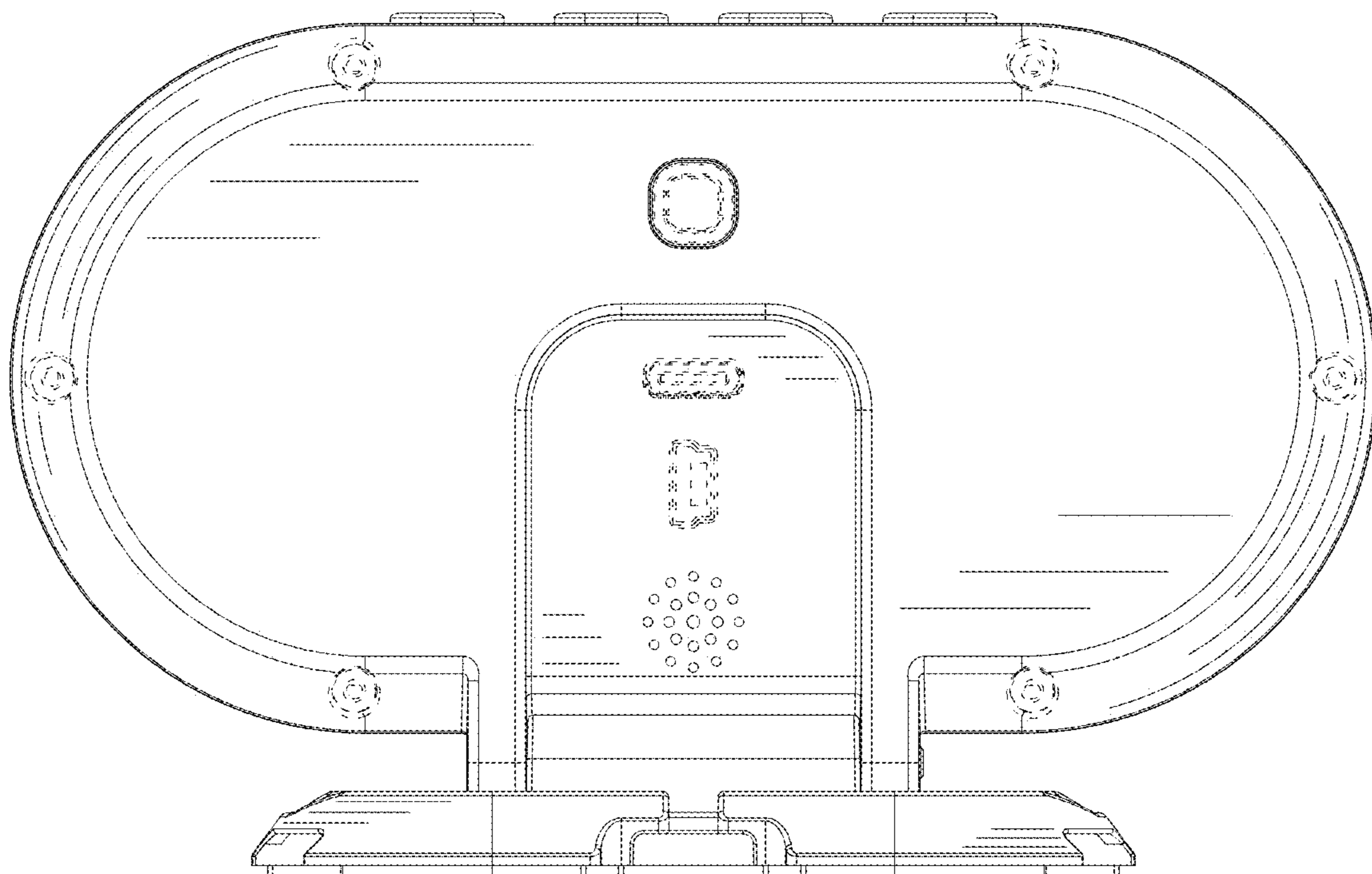


FIG. 2

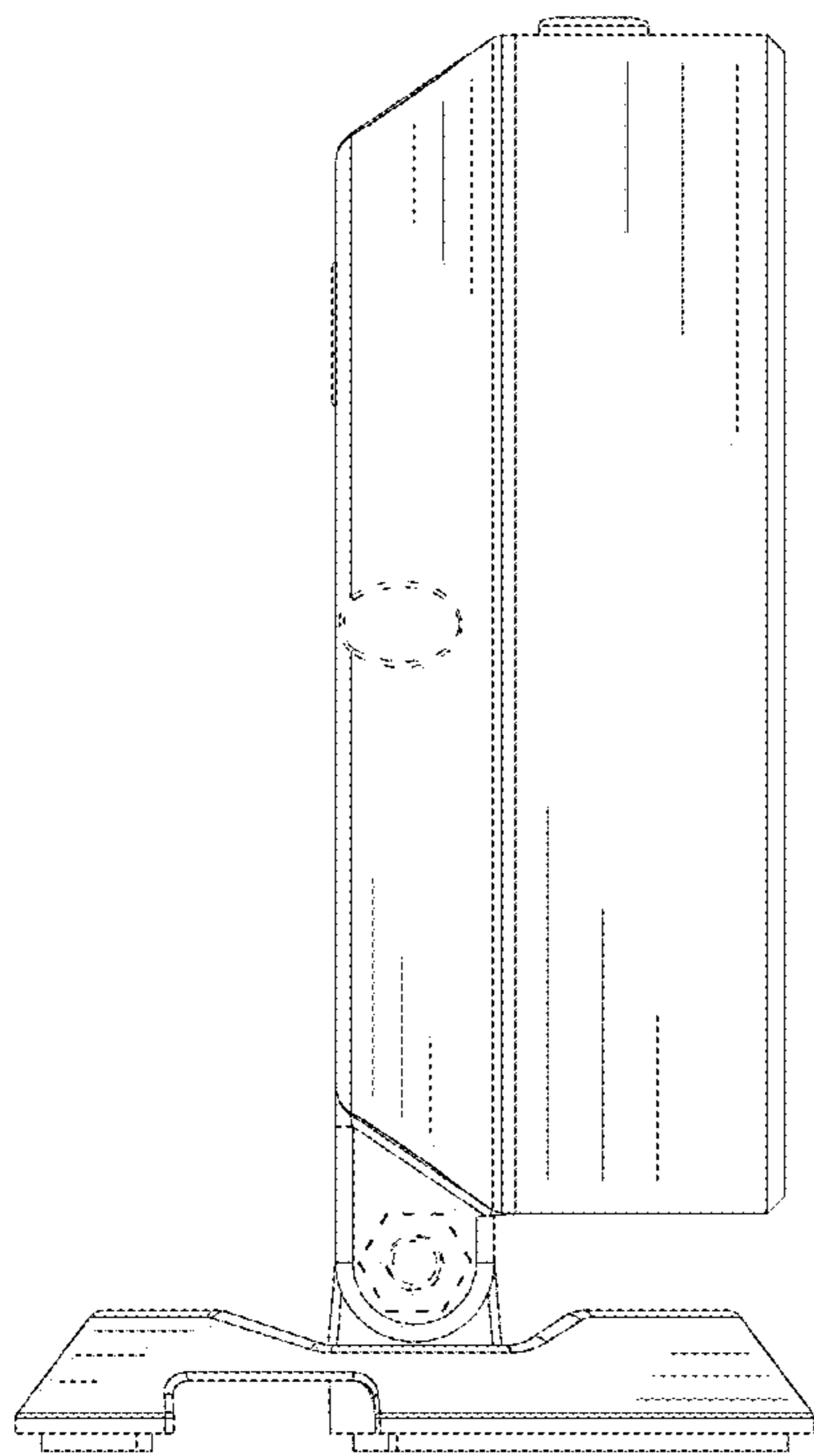


FIG. 3

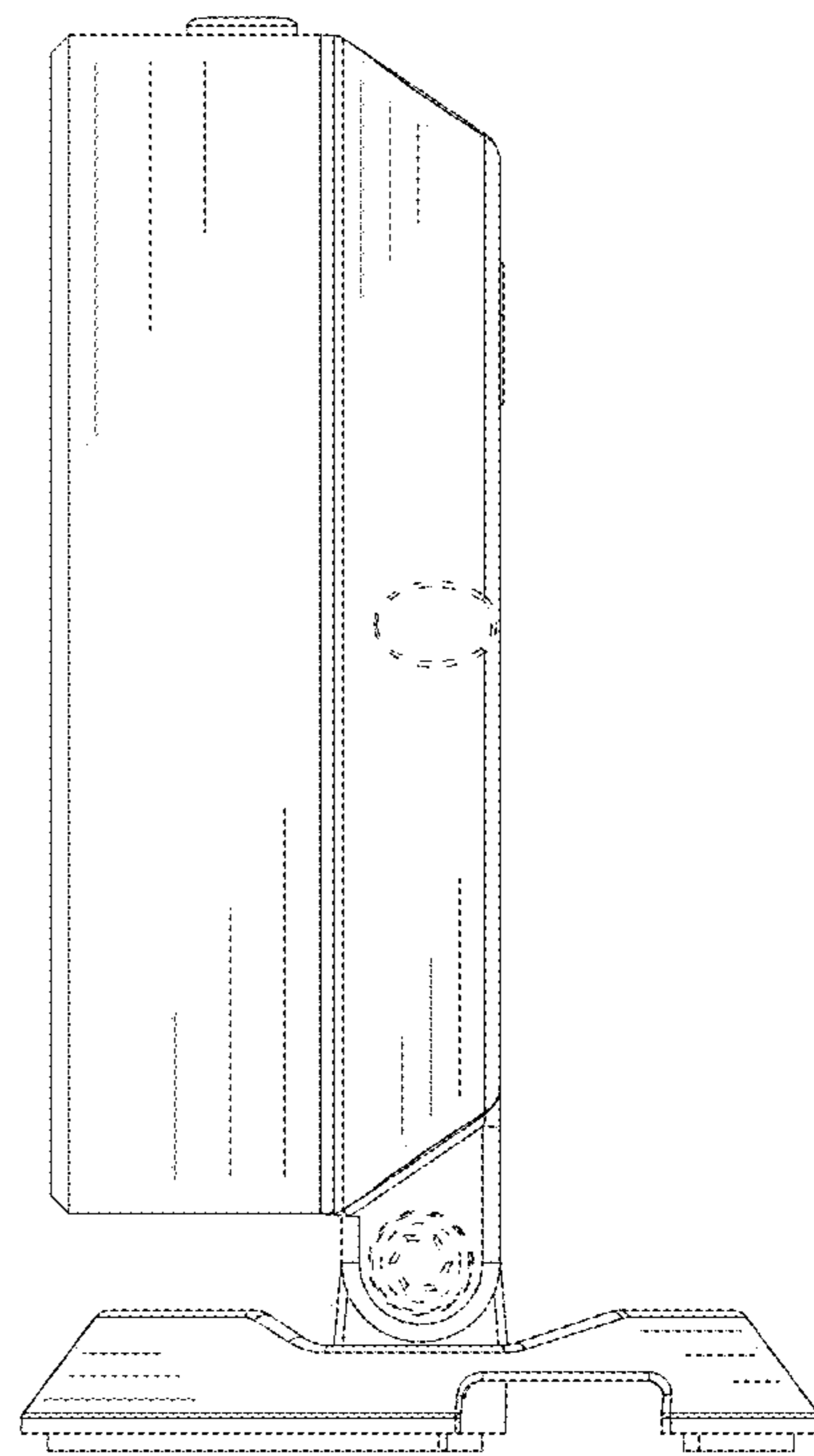


FIG. 4

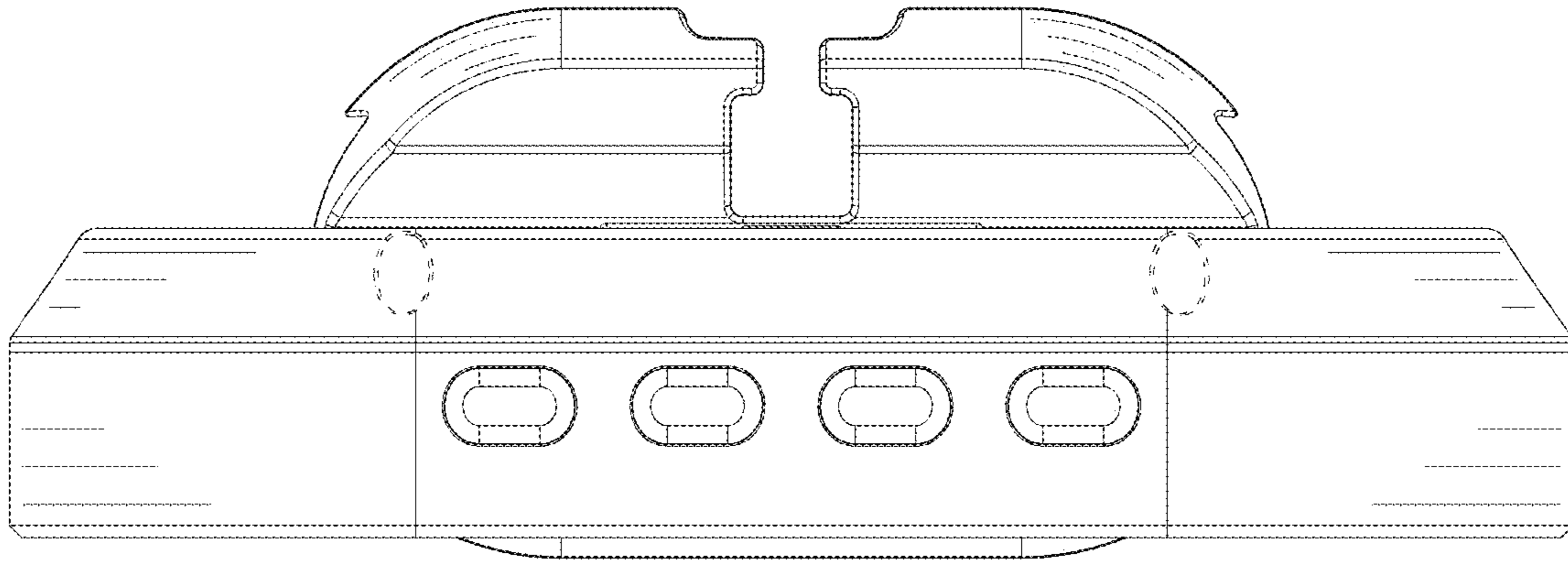


FIG. 5

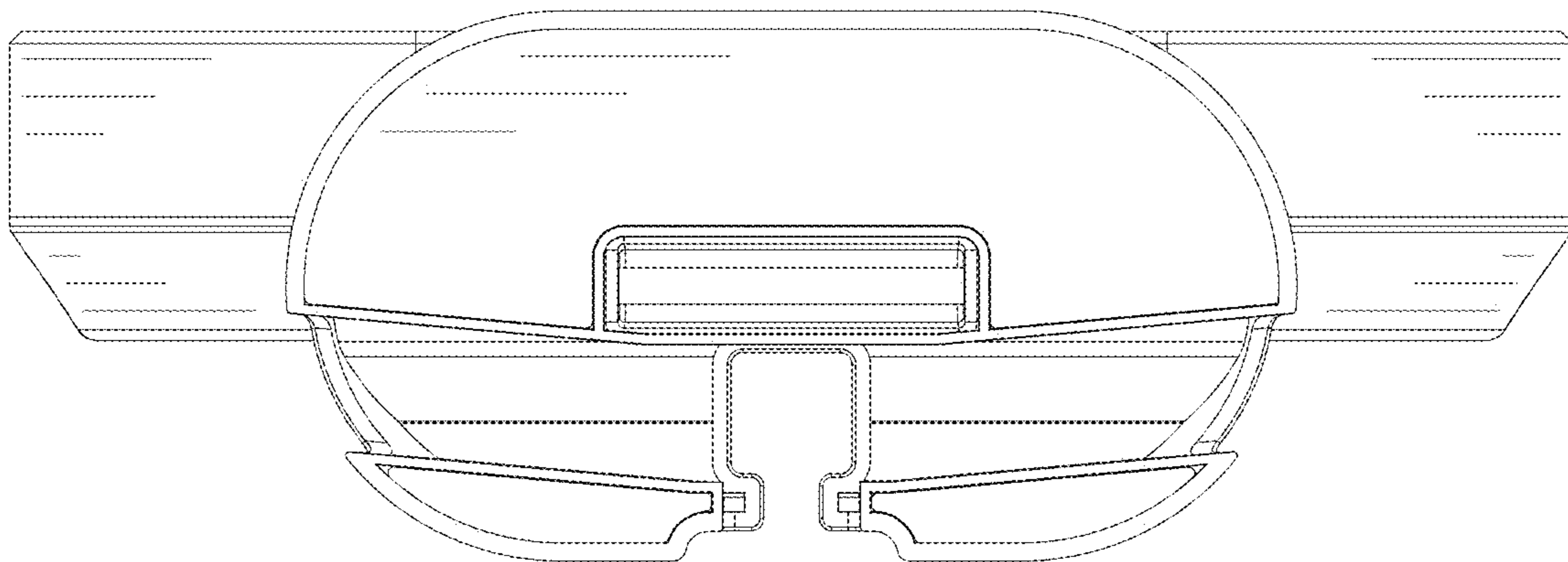


FIG. 6

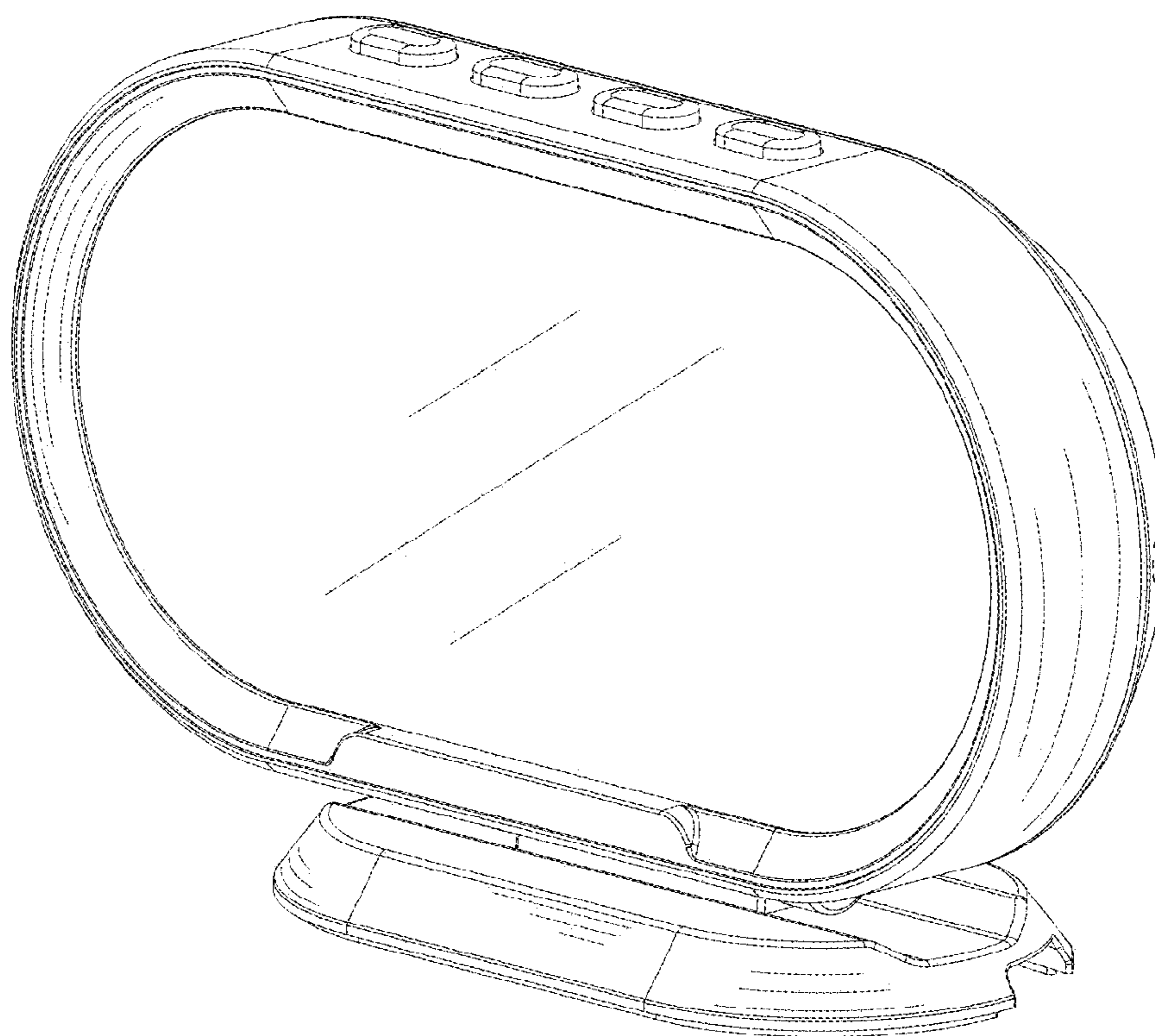


FIG. 7

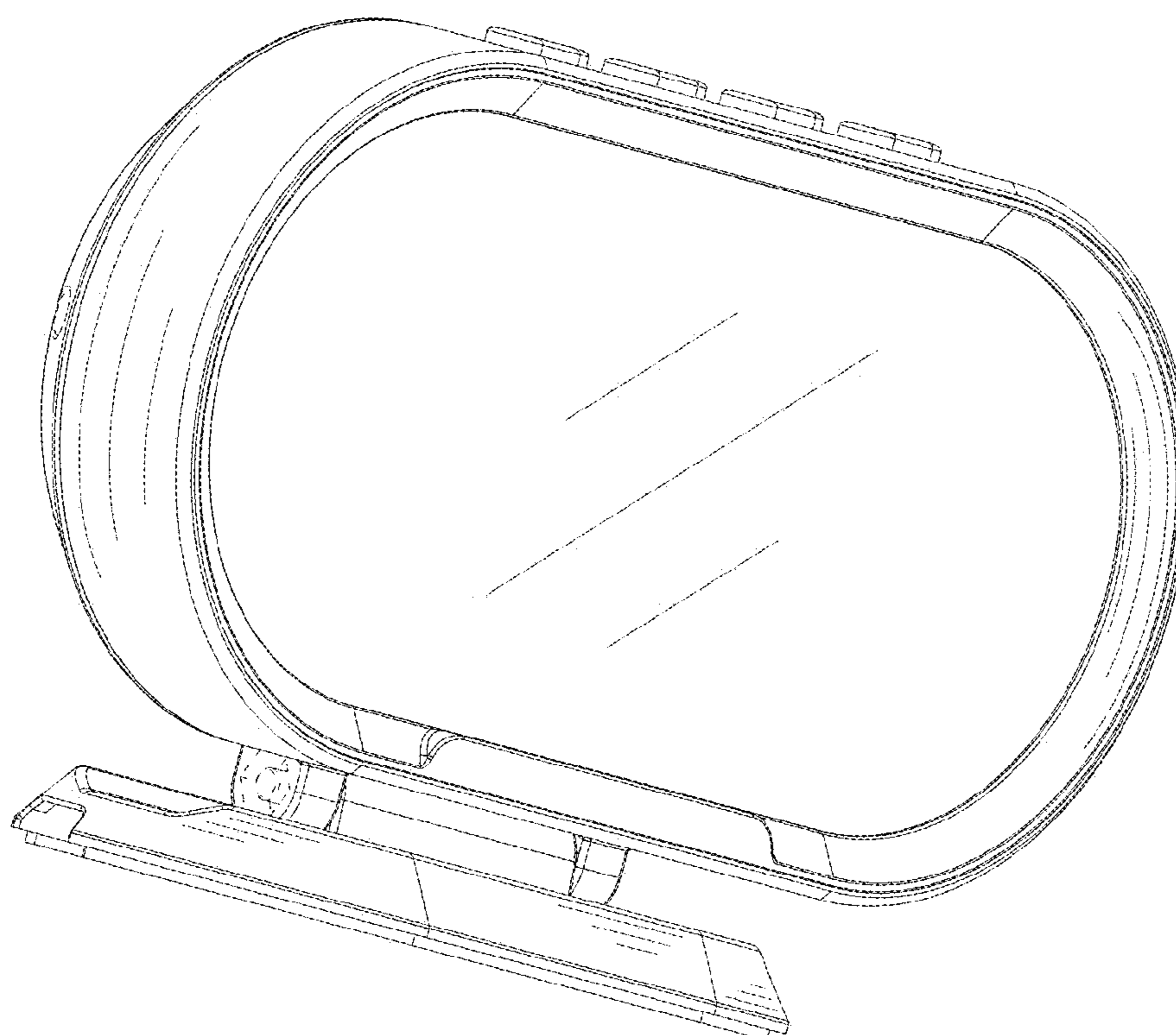


FIG. 8

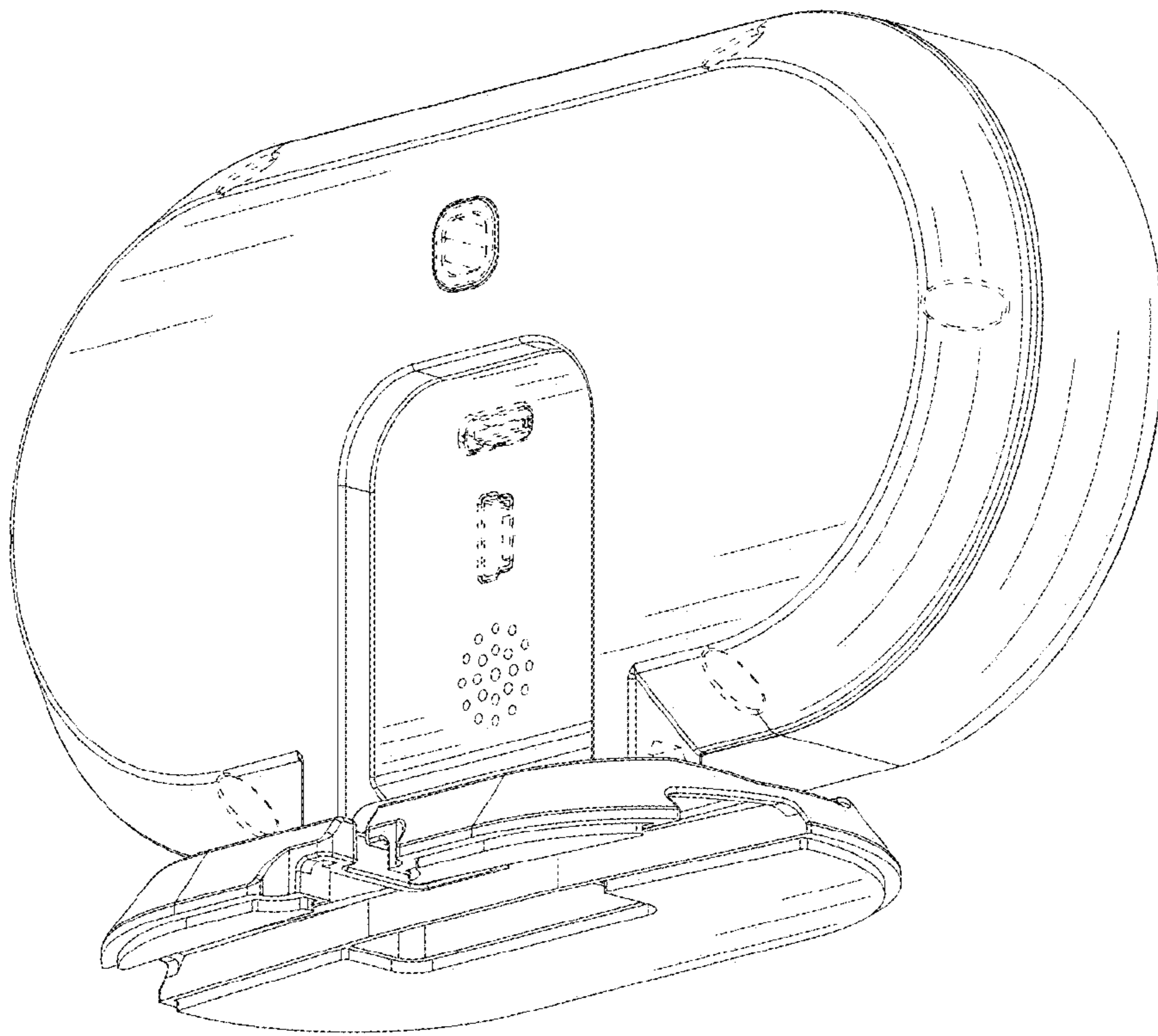


FIG.9

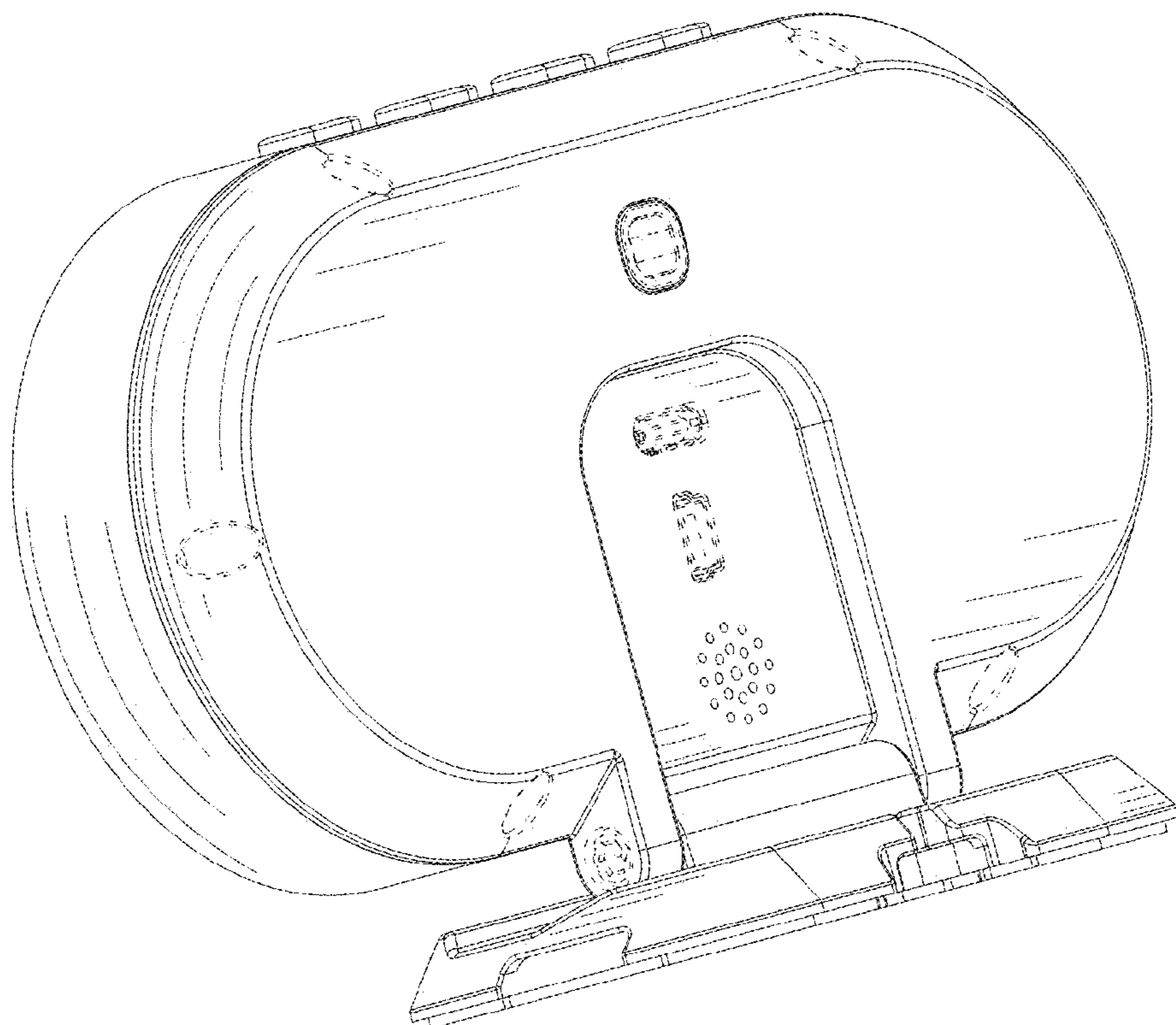


FIG.10