



US00D938328S

(12) **United States Design Patent**
Medina et al.

(10) **Patent No.:** **US D938,328 S**

(45) **Date of Patent:** **** *Dec. 14, 2021**

(54) **COMBINED MIRROR ARM AND HOUSING**

(71) Applicant: **PACCAR Inc**, Bellevue, WA (US)

(72) Inventors: **Dimitri T. Medina**, Plano, TX (US);
Jonathan Scott Duncan, Seattle, WA (US)

(73) Assignee: **PACCAR Inc**, Bellevue, WA (US)

(*) Notice: This patent is subject to a terminal disclaimer.

(**) Term: **15 Years**

(21) Appl. No.: **29/724,442**

(22) Filed: **Feb. 14, 2020**

(51) **LOC (13) Cl.** **12-16**

(52) **U.S. Cl.**

USPC **D12/187**

(58) **Field of Classification Search**

USPC D12/187, 188, 189; D6/300, 309

CPC B60R 1/08; B60R 1/081; B60R 1/082;

B60R 1/074; B60R 1/076; B60R 1/78;

B60R 1/0605; B60R 1/0617; G02B 5/08;

G02B 7/18; G02B 7/182

See application file for complete search history.

(56) **References Cited**

U.S. PATENT DOCUMENTS

D302,964 S	8/1989	Fingerle	
D318,837 S	8/1991	Richardson et al.	
D325,017 S	3/1992	Richardson et al.	
D397,072 S *	8/1998	Hellhake	D12/187
D514,488 S *	2/2006	Perfetti	D12/187
D545,740 S *	7/2007	Schiavone	D12/187
D547,247 S *	7/2007	Shimoguchi	D12/187
D575,708 S *	8/2008	Courbon	D12/187
D578,942 S *	10/2008	Courbon	D12/187
D581,334 S *	11/2008	Courbon	D12/187
D610,060 S *	2/2010	Meier	D12/187

D690,635 S	10/2013	Hovind et al.	
D698,714 S *	2/2014	Ewringmann	D12/187
D699,653 S *	2/2014	Markstaller	D12/187
8,657,249 B2 *	2/2014	Courbon	B60R 1/076 248/479

D702,607 S	4/2014	Hall et al.	
D702,608 S	4/2014	Hall et al.	
D702,609 S	4/2014	Hovind et al.	
D702,610 S	4/2014	Hall et al.	
D714,710 S	10/2014	Hall et al.	
D725,015 S *	3/2015	Kovach	D12/187
D727,812 S *	4/2015	Hanson	D12/187

(Continued)

OTHER PUBLICATIONS

“T800,” Kenworth Truck Company, 2002, 32-page brochure.

(Continued)

Primary Examiner — Susan E Krakower

Assistant Examiner — Jerry Shiuian-Hua Hsu

(74) *Attorney, Agent, or Firm* — Seed IP Law Group LLP

(57)

CLAIM

The ornamental design for a combined mirror arm and housing, as shown and described.

DESCRIPTION

FIG. 1 is a top, front, right side isometric view of a combined mirror arm and housing, showing our new design.

FIG. 2 is a bottom, rear, left side isometric view thereof.

FIG. 3 is a front elevational view thereof.

FIG. 4 is a rear elevational view thereof.

FIG. 5 is a left side elevational view thereof.

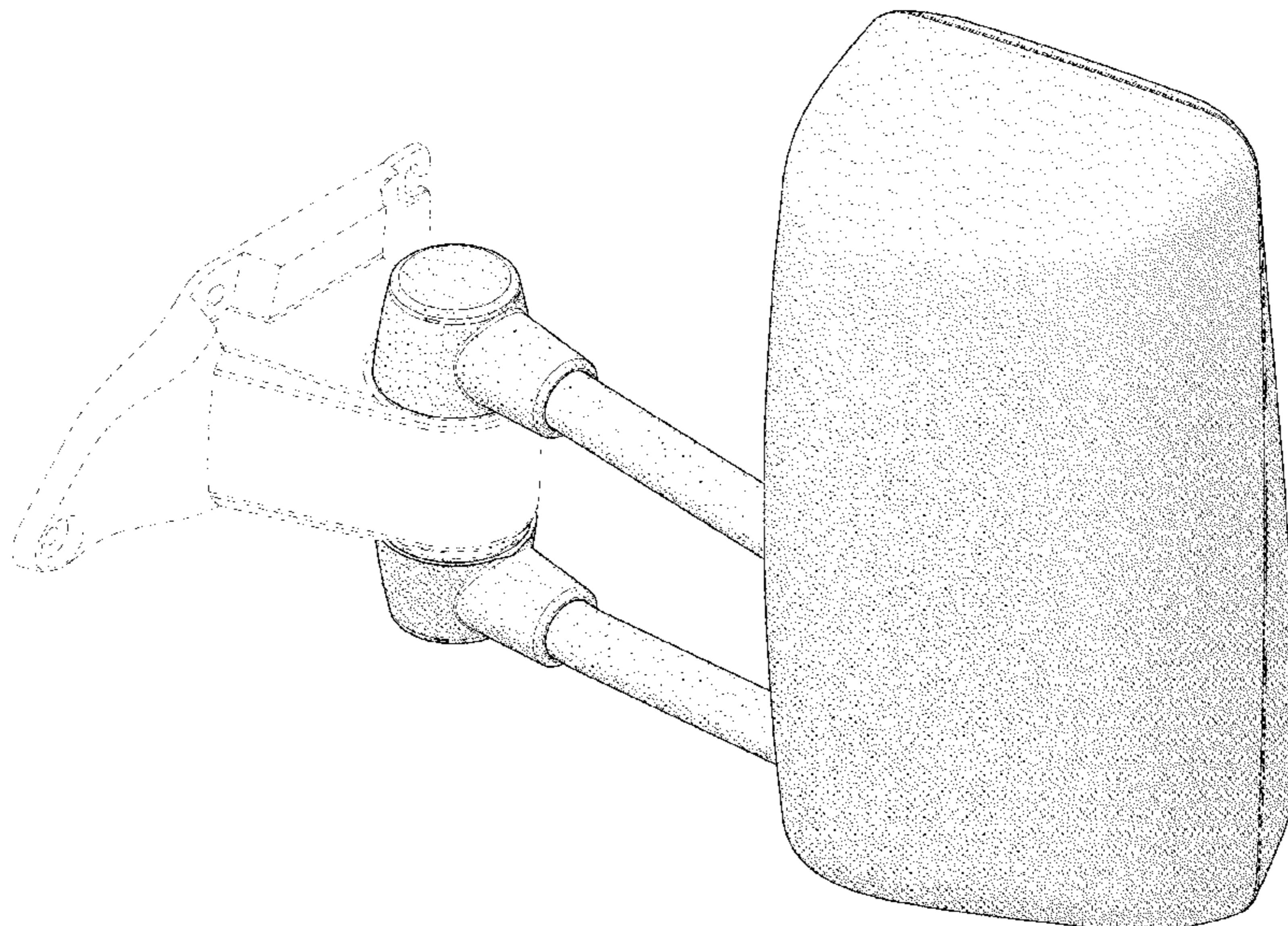
FIG. 6 is a right side elevational view thereof.

FIG. 7 is a top plan view thereof; and,

FIG. 8 is a bottom plan view thereof.

The broken lines shown in the drawings depict portions of the combined mirror arm and housing that form no part of the claimed design.

1 Claim, 7 Drawing Sheets



(56)

References Cited

U.S. PATENT DOCUMENTS

D731,374 S *	6/2015	Roberts	D12/187
D731,375 S *	6/2015	Roberts	D12/187
D775,033 S *	12/2016	Wang	D12/190
D791,659 S *	7/2017	Ito	D12/187
D815,576 S *	4/2018	Chiang	D12/187
2006/0103957 A1 *	5/2006	Olijnyk	B60R 1/074 359/872

OTHER PUBLICATIONS

“T800,” Kenworth Truck Company, 2003, 32-page brochure.
 “T800,” Kenworth Truck Company, 2005, 28-page brochure.
 “T800,” Kenworth Truck Company, 2009, 28-page brochure.
 “T800B,” Kenworth Truck Company, 1993, 8-page brochure.
 Peterbilt Motors Company, “The Working Class,” Sep. 1976, 6-page brochure.
 “The World’s Best,” Kenworth Truck Company, 1992, 12-page brochure.
 “W900,” Kenworth Truck Company, 1996, 7-page brochure.
 “W900,” Kenworth Truck Company, 2002, 32-page brochure.
 “W900,” Kenworth Truck Company, 2005, 28-page brochure.
 “W900,” Kenworth Truck Company, 2009, 28-page brochure.
 Kenworth Truck Company, “W900L AeroCab,” 1994, 2-page brochure.
 Kenworth Truck Company, “AeroCab,” 1993, 5-page brochure.
 “AeroCab,” Kenworth Truck Company, as early as 1995, 3-page brochure.
 “C500B,” Kenworth Truck Company, as early as 1990, 4-page brochure.
 Peterbilt Motors Company, “Class Pays, Medium Duty,” Sep. 2000, 12-page brochure.
 “Class Pays, Truck Models,” Peterbilt Motors Company, Mar. 2005, 24-page brochure.
 “Class Pays,” Peterbilt Motors Company, Nov. 1998, 10-page brochure.
 Peterbilt Motors Company, “Class Pays,” Sep. 1997, 10-page brochure.
 “Class Pays, Construction Trucks,” Peterbilt Motors Company, Nov. 2003, 16-page brochure.
 “Kenworth Truck Models,” Kenworth Truck Company, 2010, 16-page brochure.
 Peterbilt Motors Company, “Model 330,” Oct. 1997, 3-page brochure.
 Peterbilt Motors Company, “Model 379,” Apr. 2005, 2-page brochure.
 Peterbilt Motors Company, “Model 379,” Mar. 1996, 5-page brochure.

Peterbilt Motors Company, “Rest with Class,” Apr. 1978, 4-page brochure.
 “T170 Class 5,” Kenworth Truck Company, 2008, 4-page brochure.
 “T270 Class 6 and T370 Class 7,” Kenworth Truck Company, 2008, 6-page brochure.
 “T270 Class 6 and T370 Class 7,” Kenworth Truck Company, 2009, 6-page brochure.
 “T270 Class 6 and T370 Class 7 Hybrid,” Kenworth Truck Company, 2009, 6-page brochure.
 “T680,” Kenworth Truck Company, 2013, 34-page brochure.
 “T680,” Kenworth Truck Company, 2016, 34-page brochure.
 “T880,” Kenworth Truck Company, 2017, 32-page brochure.
 “Model 579,” Peterbilt Motors Company, Oct. 2013, 13-page brochure.
 “Medium Duty,” Peterbilt Motors Company, 2013, 9-page brochure.
 “On-Highway,” Peterbilt Motors Company, 2013, 13-page brochure.
 “Vocational,” Peterbilt Motors Company, 2013, 11-page brochure.
 “T440,” Kenworth Truck Company, 2010, 6-page brochure.
 “T470,” Kenworth Truck Company, 2010, 6-page brochure.
 “T470H,” Kenworth Truck Company, 2009, 2-page brochure.
 “Model 220,” Peterbilt Motors Company, 2019, 2-page brochure.
 “220EV,” Peterbilt Motors Company, 2020, 5-page brochure.
 “Model 337,” Peterbilt Motors Company, 2020, 2-page brochure.
 “Model 389,” Peterbilt Motors Company, 2019, 2-page brochure.
 “Model 348,” Peterbilt Motors Company, 2019, 2-page brochure.
 “Model 520,” Peterbilt Motors Company, 2019, 2-page brochure.
 “Model 567,” Peterbilt Motors Company, 2020, 16-page brochure.
 “567 Heritage,” Peterbilt Motors Company, 2017, 2-page brochure.
 “Model 579,” Peterbilt Motors Company, 2019, 28-page brochure.
 “C500,” Kenworth Truck Company, 2012, 2-page brochure.
 “T680,” Kenworth Truck Company, 2019, 40-page brochure.
 “T800,” Kenworth Truck Company, 2012, 28-page brochure.
 “T440/T470,” Kenworth Truck Company, 2015, 8-page brochure.
 “K270E/K370E,” Kenworth Truck Company, 2020, 4-page brochure.
 “T170/T270/T370,” Kenworth Truck Company, 2019, 16-page brochure.
 “K270/K370,” Kenworth Truck Company, 2014, 12-page brochure.
 “W990,” Kenworth Truck Company, 2018, 32-page brochure.
 “T880,” Kenworth Truck Company, 2019, 36-page brochure.
 “Model 367,” Peterbilt Motors Company, <https://www.peterbilt.com/trucks/vocational/model-367>, retrieved Nov. 20, 2020, 12 pages.
 “Model 365,” Peterbilt Motors Company, <https://www.peterbilt.com/trucks/vocational/model-365>, retrieved Nov. 20, 2020, 11 pages.
 “Model 325,” Peterbilt Motors Company, <https://www.peterbilt.com/trucks/medium-duty/model-325>, retrieved Nov. 20, 2020, 12 pages.

* cited by examiner

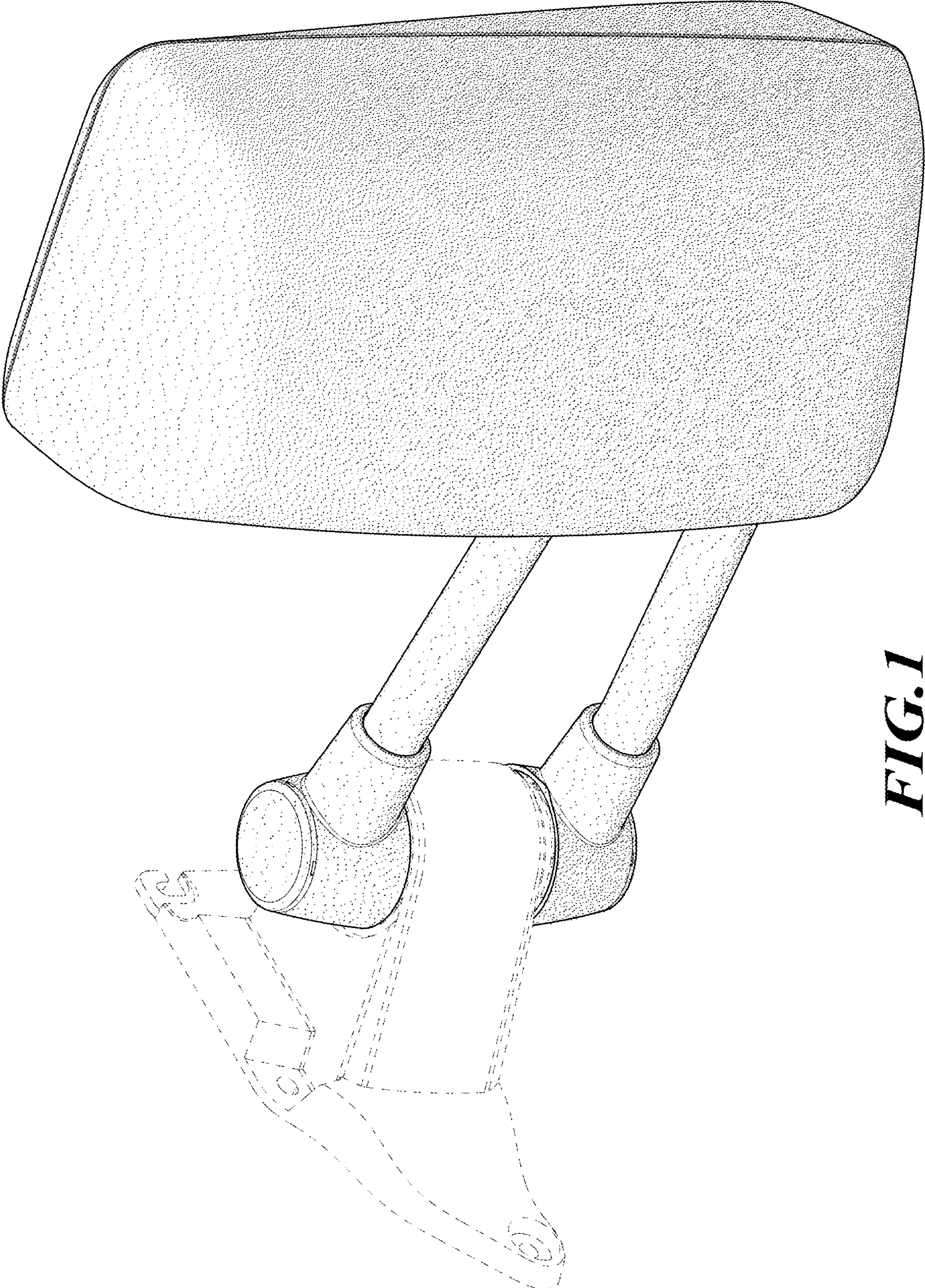


FIG. 1

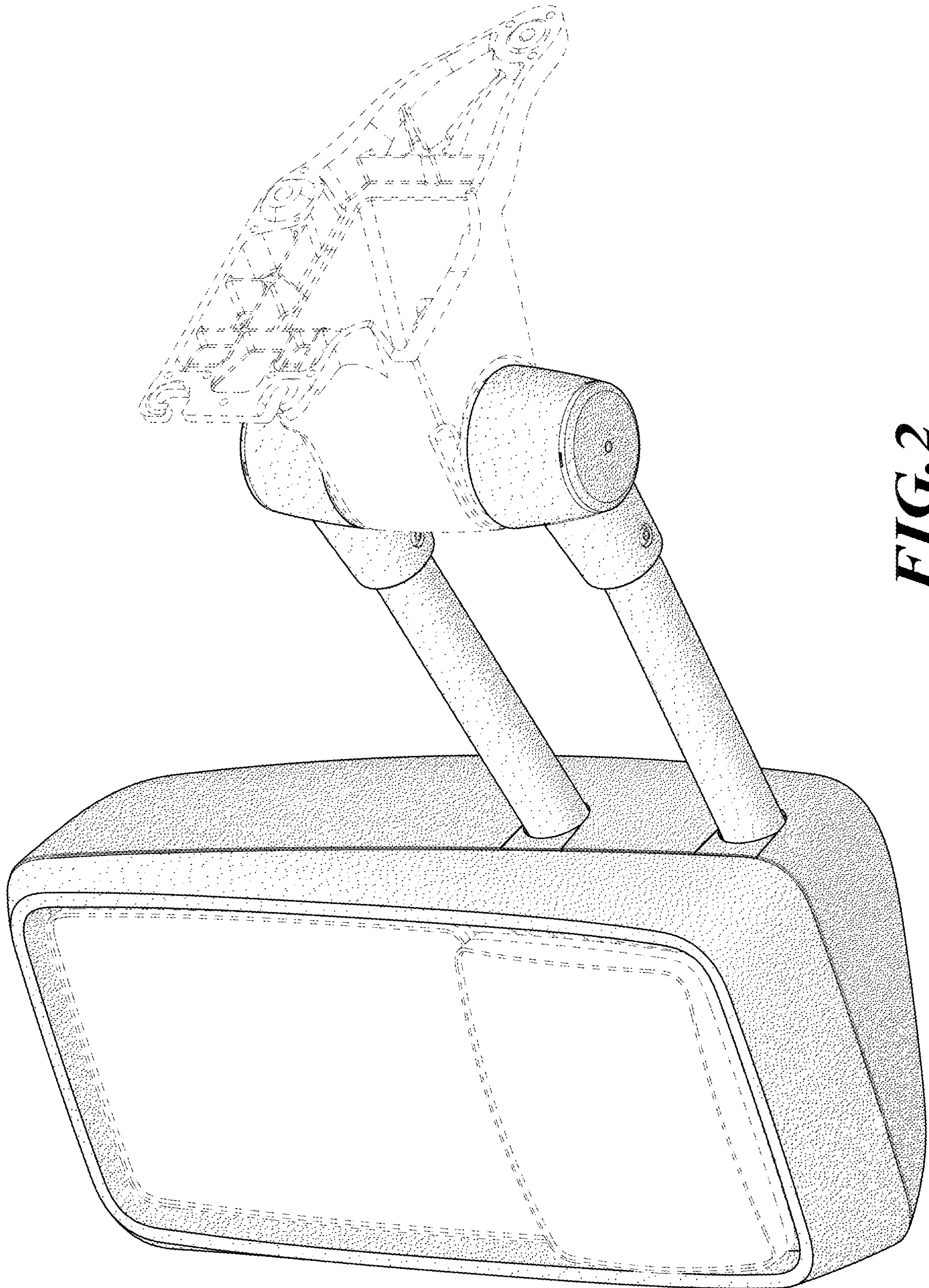


FIG. 2

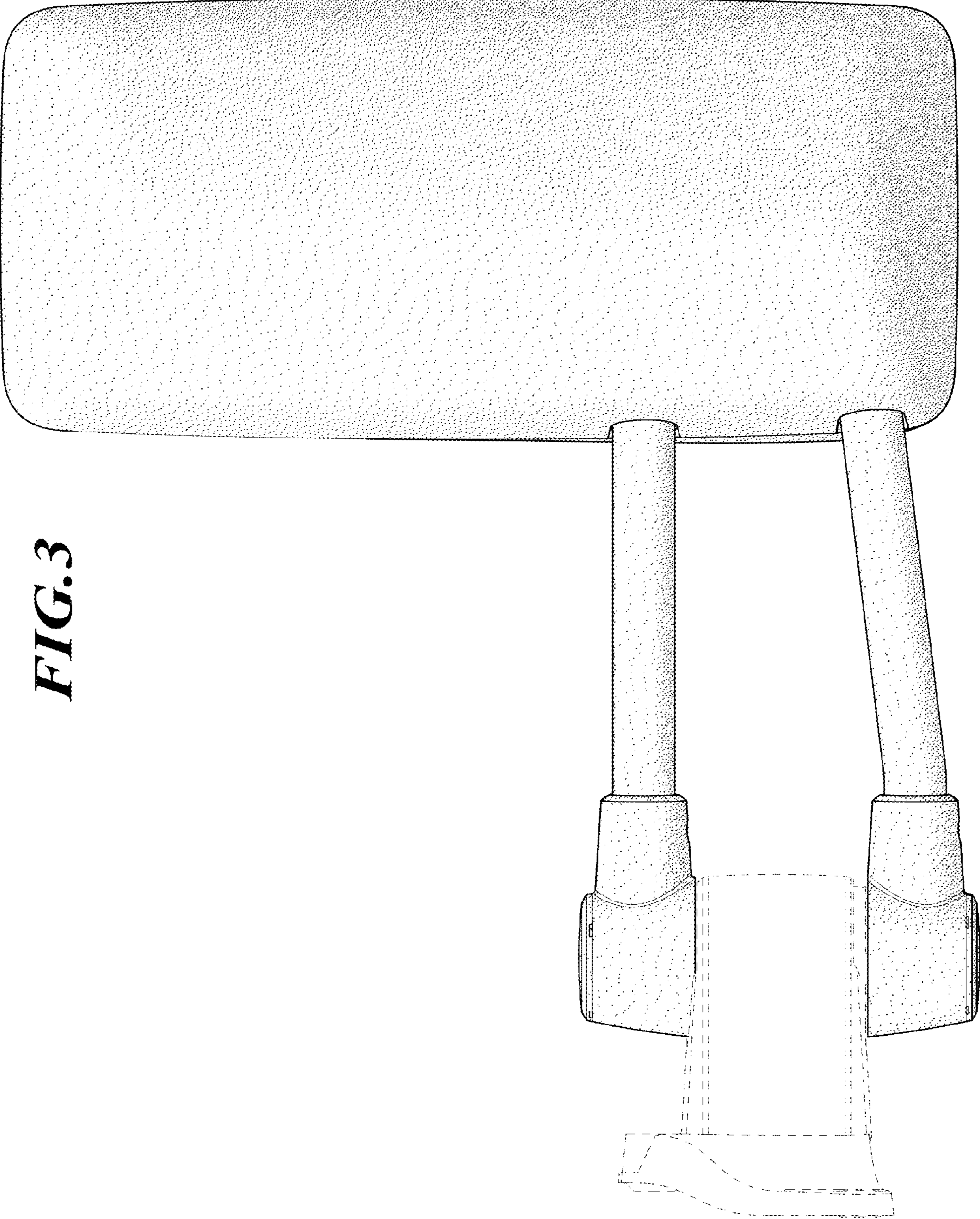
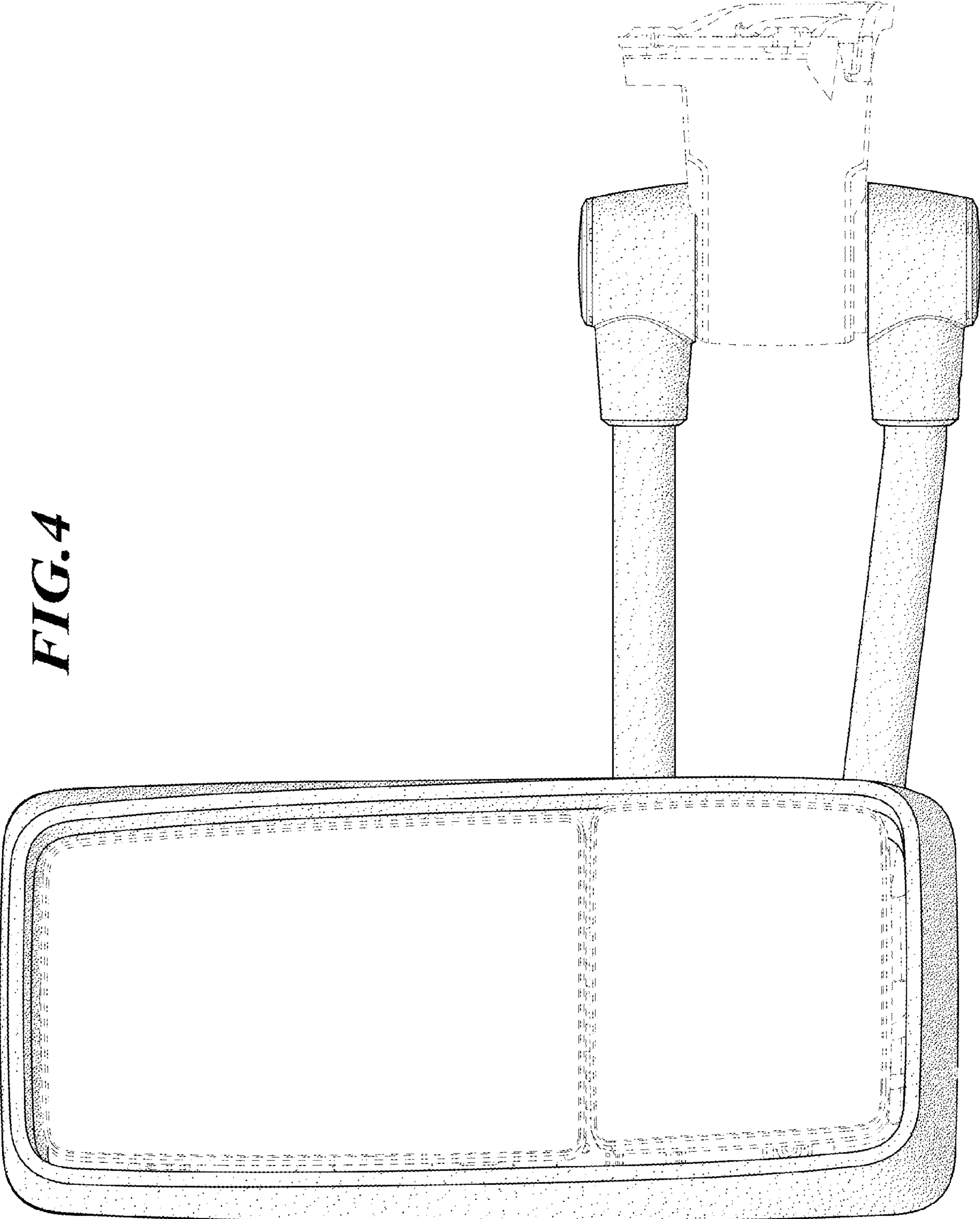


FIG. 3

FIG. 4



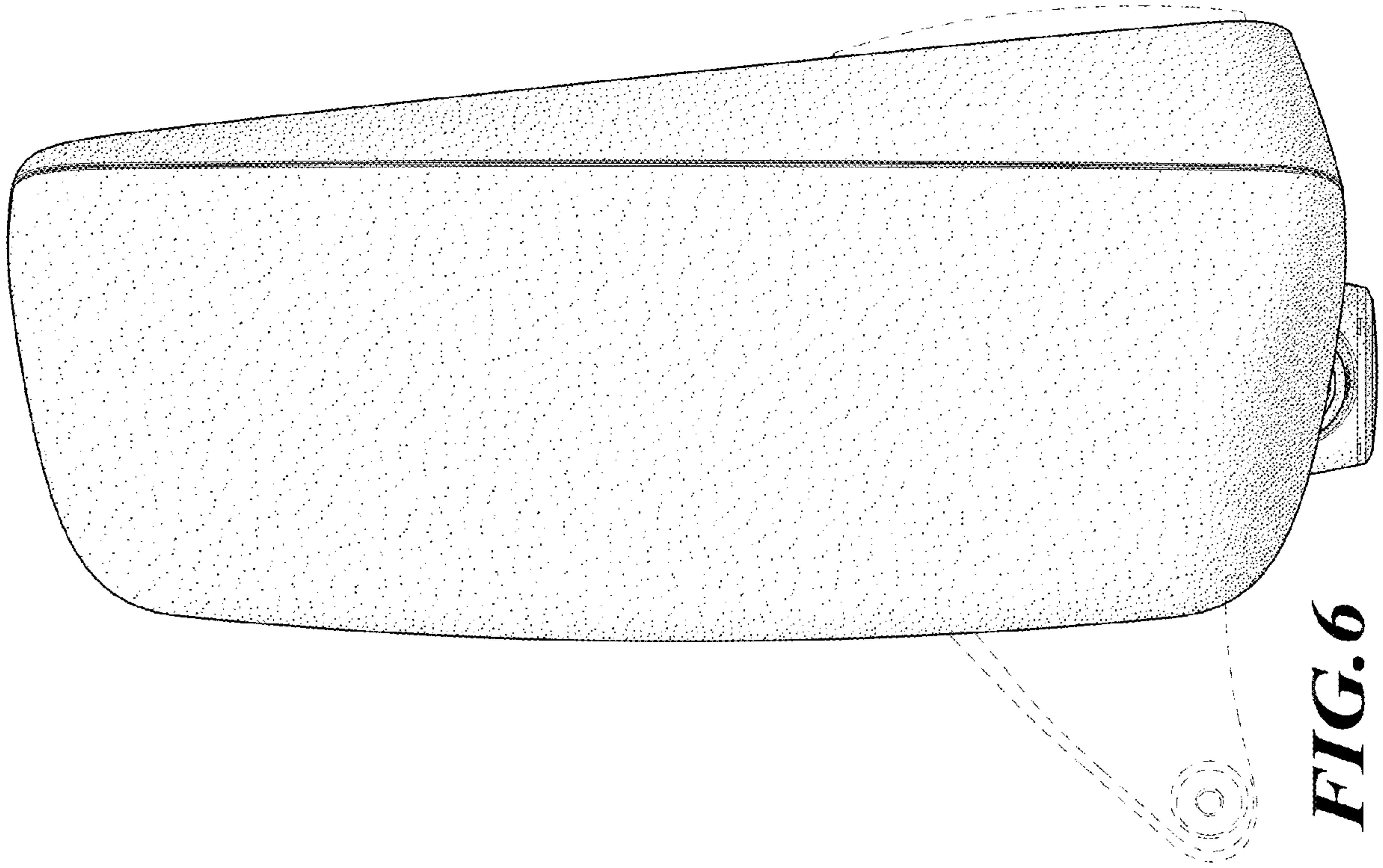


FIG. 6

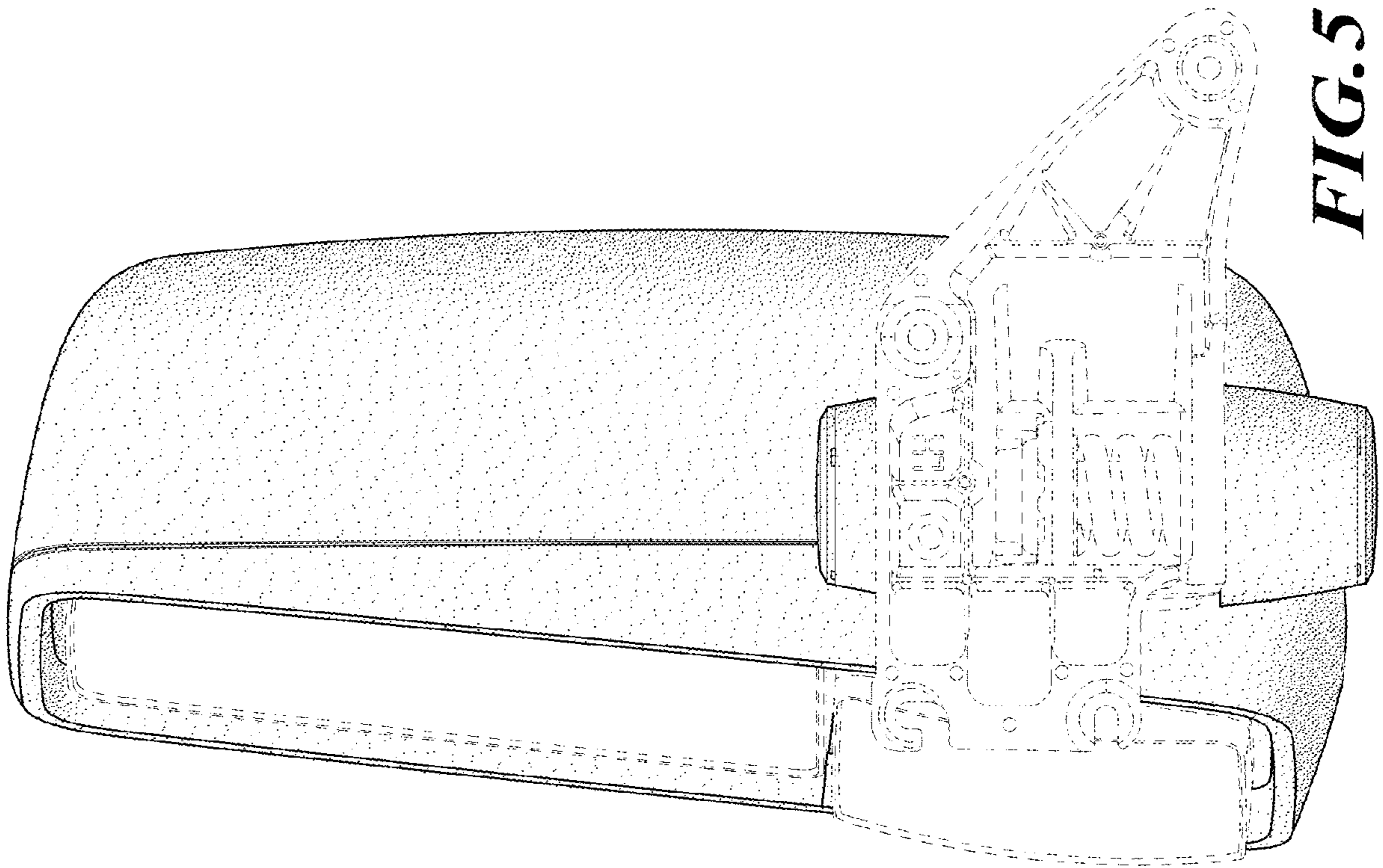


FIG. 5

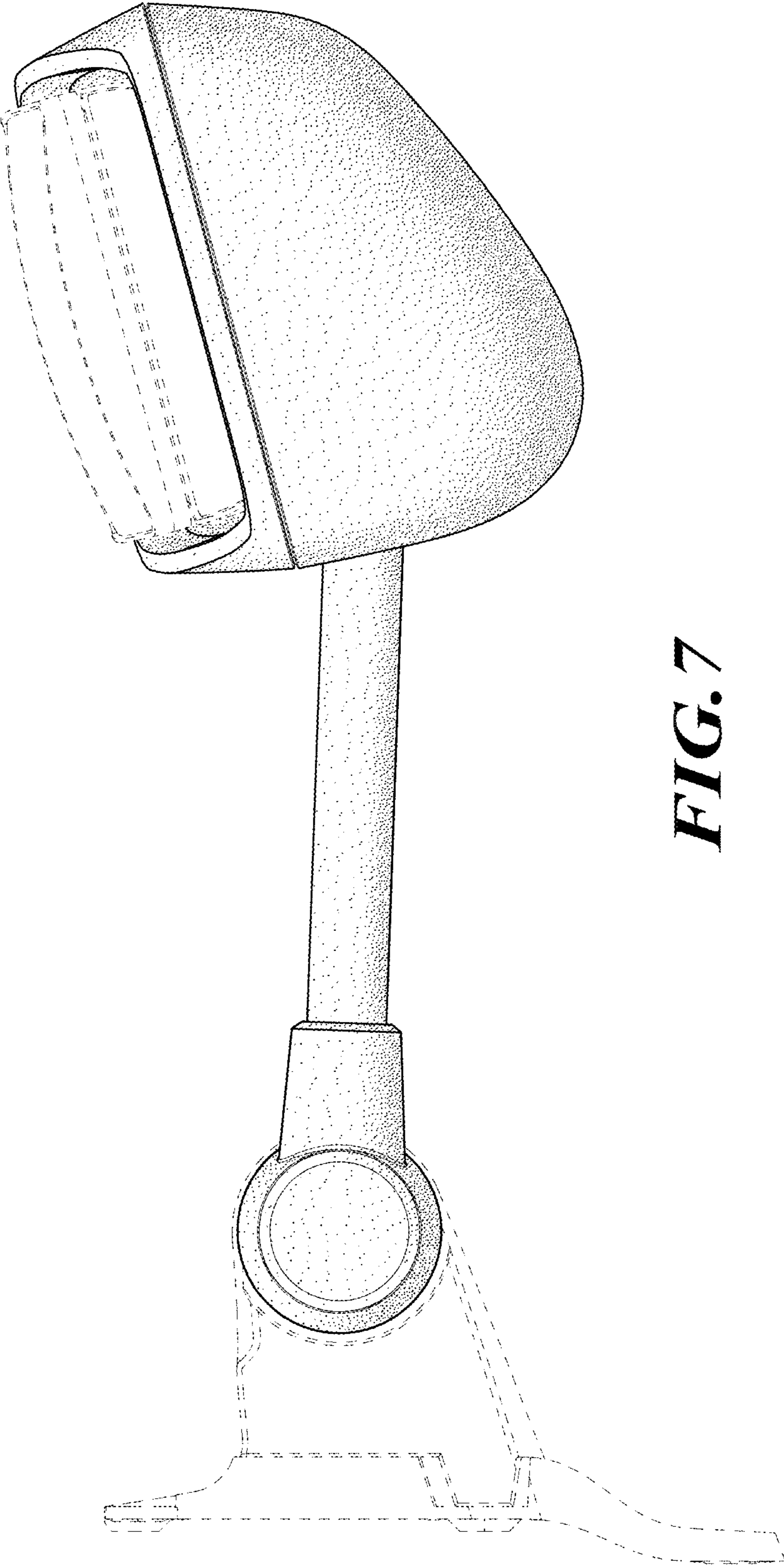


FIG. 7

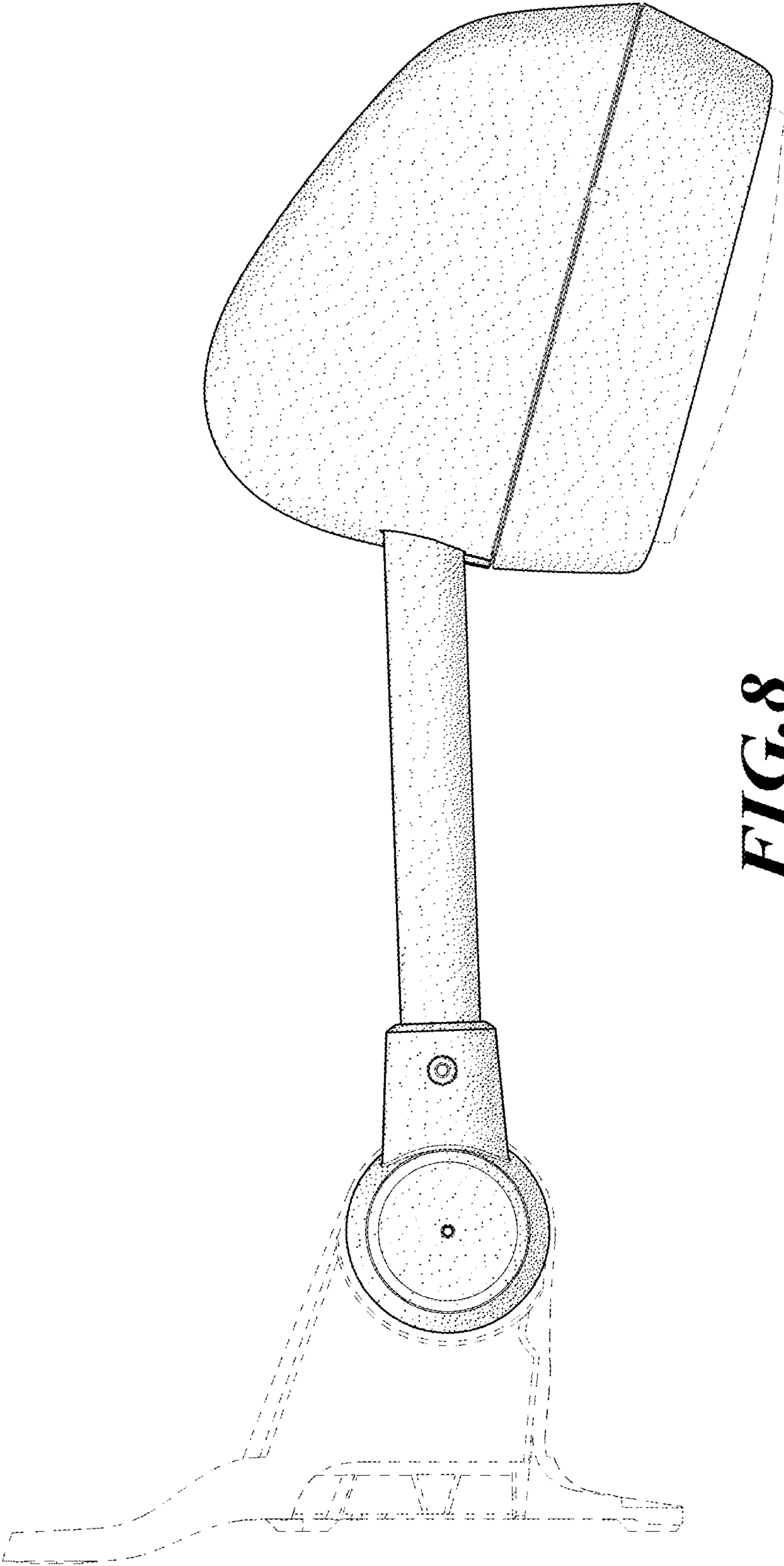


FIG. 8